



US00D752671S

(12) **United States Design Patent**
Harrison et al.

(10) **Patent No.:** **US D752,671 S**
(45) **Date of Patent:** **** Mar. 29, 2016**

(54) **CAMERA HOUSING**

(71) Applicant: **GoPro, Inc.**, San Mateo, CA (US)

(72) Inventors: **Ryan Harrison**, El Granada, CA (US);
Christopher Aaron Clearman, Half
Moon Bay, CA (US); **Seungheon Lee**,
Cupertino, CA (US); **Joseph Chun**, El
Dorado Hills, CA (US)

(73) Assignee: **GoPro, Inc.**, San Mateo, CA (US)

(**) Term: **14 Years**

(21) Appl. No.: **29/526,512**

(22) Filed: **May 11, 2015**

(51) **LOC (10) Cl.** **16-01**

(52) **U.S. Cl.**
USPC **D16/200**

(58) **Field of Classification Search**
USPC D16/200, 202, 203, 208, 218, 219;
348/373-374; 396/535, 540, 541
CPC G03B 15/00; G03B 15/03; G03B 15/06;
G03B 17/02; G03B 17/04; G03B 17/045;
H04N 5/2251; H04N 5/2252; H04N 5/2253;
H04N 5/2254
See application file for complete search history.

(56) **References Cited**

U.S. PATENT DOCUMENTS

679,881 A * 8/1901 Chen G03B 17/045
396/535
4,646,141 A * 2/1987 Timmermans H01J 29/867
348/373

D441,386 S * 5/2001 Yamazaki D16/203
D515,121 S * 2/2006 Bleau D16/202
D550,741 S * 9/2007 Vernon D16/208
D646,313 S * 10/2011 Woodman D16/218
8,467,675 B2 * 6/2013 Chen G03B 17/02
348/374
D699,277 S * 2/2014 Samuels D16/200
D725,169 S * 3/2015 Gioscia D16/200
D727,387 S * 4/2015 Hasegawa D16/203
D730,423 S * 5/2015 Vandebussche D16/218

* cited by examiner

Primary Examiner — Adir Aronovich

(74) *Attorney, Agent, or Firm* — Fenwick & West LLP

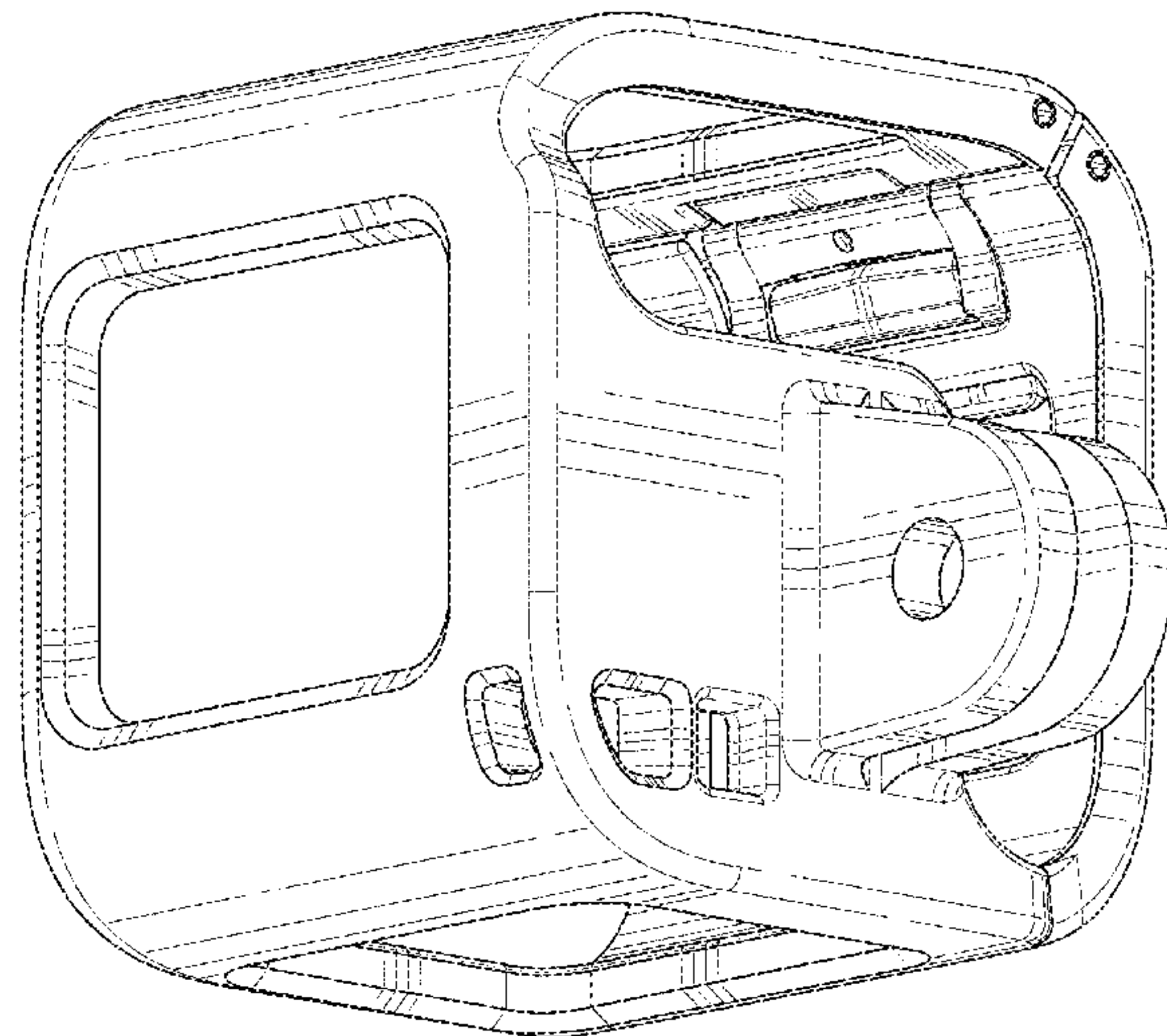
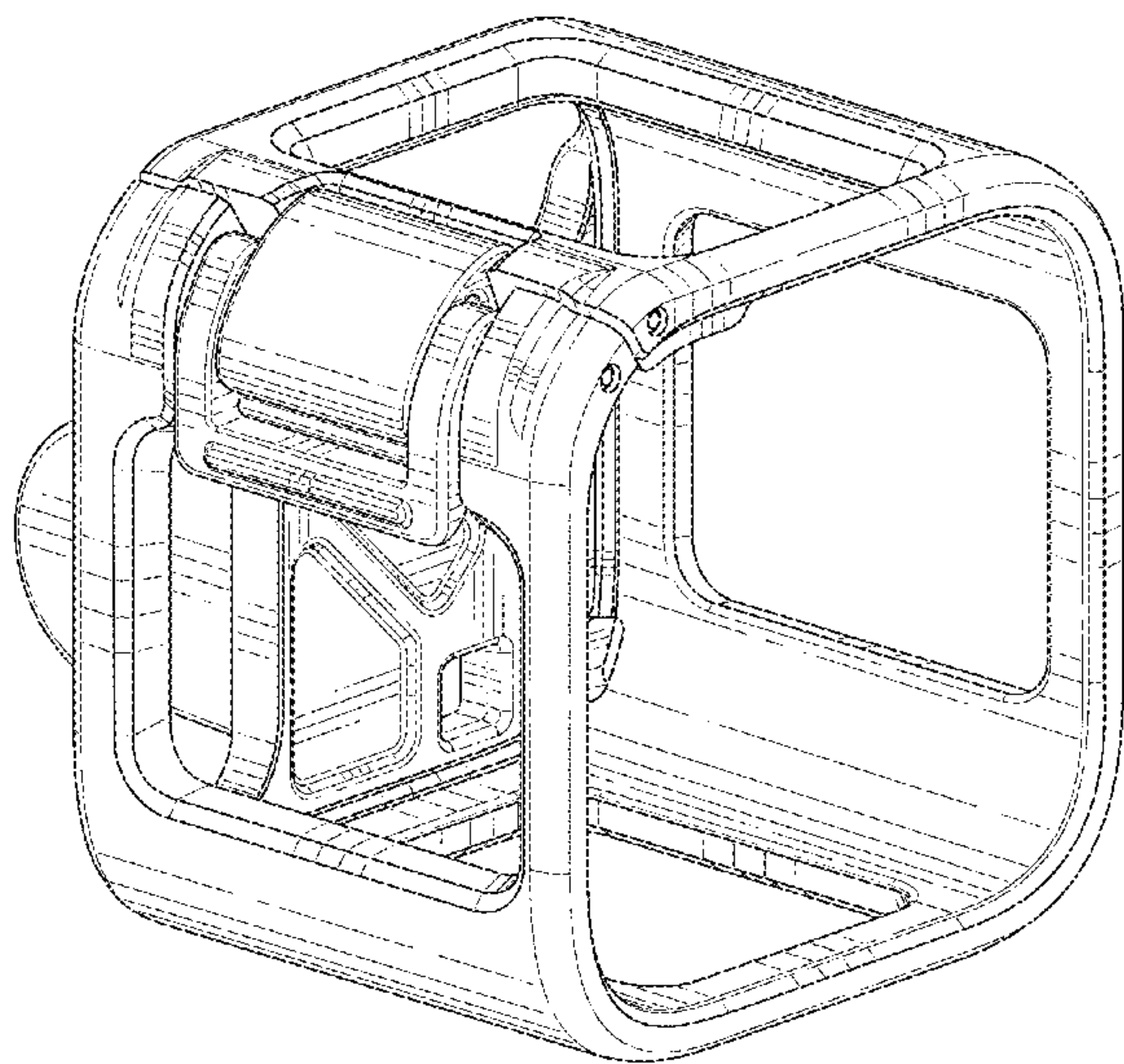
(57) **CLAIM**

The ornamental design for a camera housing, as shown and described.

DESCRIPTION

FIG. 1 is a front, top and left side perspective view of a camera housing showing our new design;
FIG. 2 is a rear, bottom, and right side perspective view thereof;
FIG. 3 is a front elevational view thereof;
FIG. 4 is a rear elevational view thereof;
FIG. 5 is a left side elevational view thereof;
FIG. 6 is a right side elevational view thereof;
FIG. 7 is a top plan view thereof; and,
FIG. 8 is a bottom plan view thereof.

1 Claim, 8 Drawing Sheets



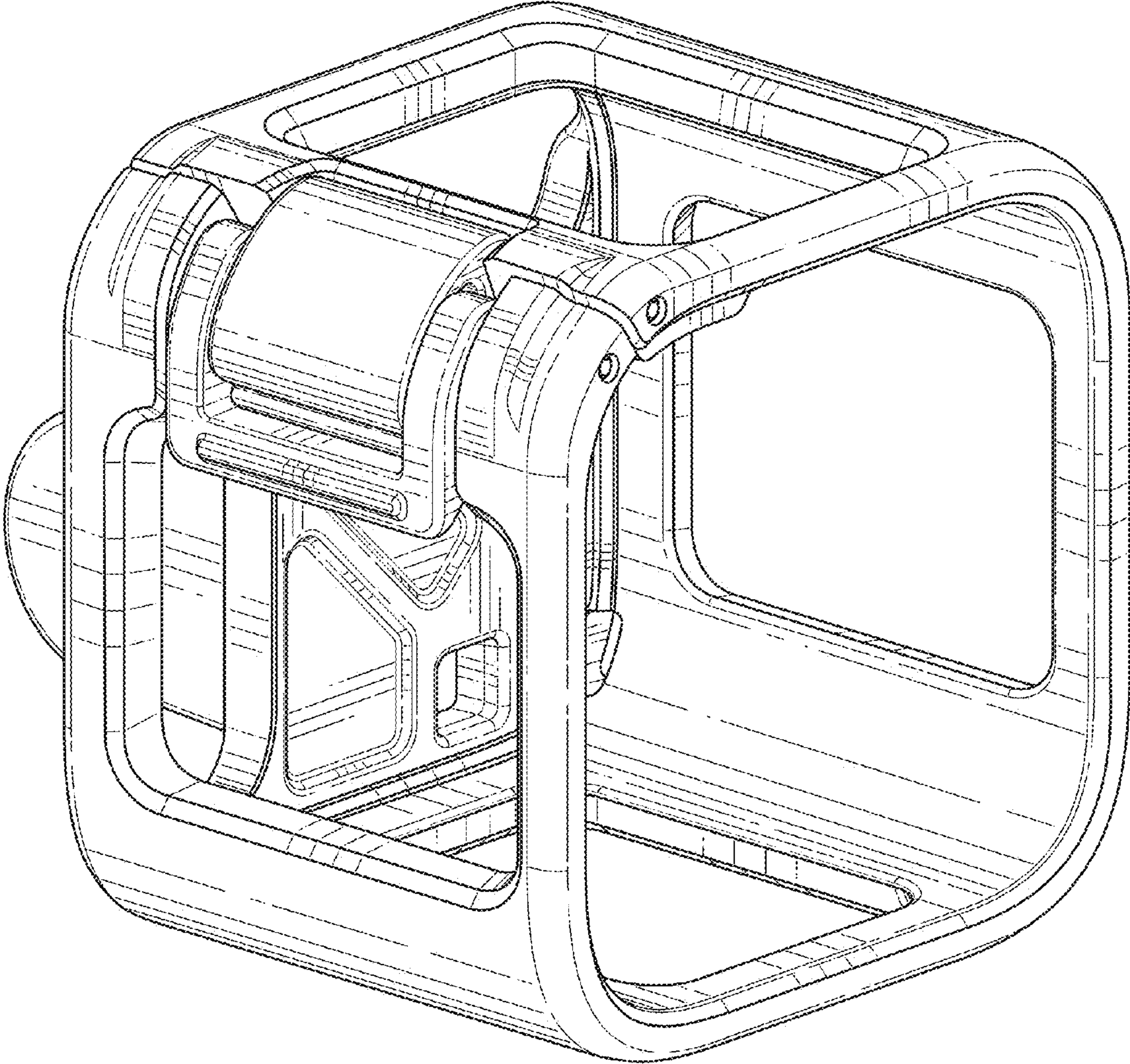


FIG. 1

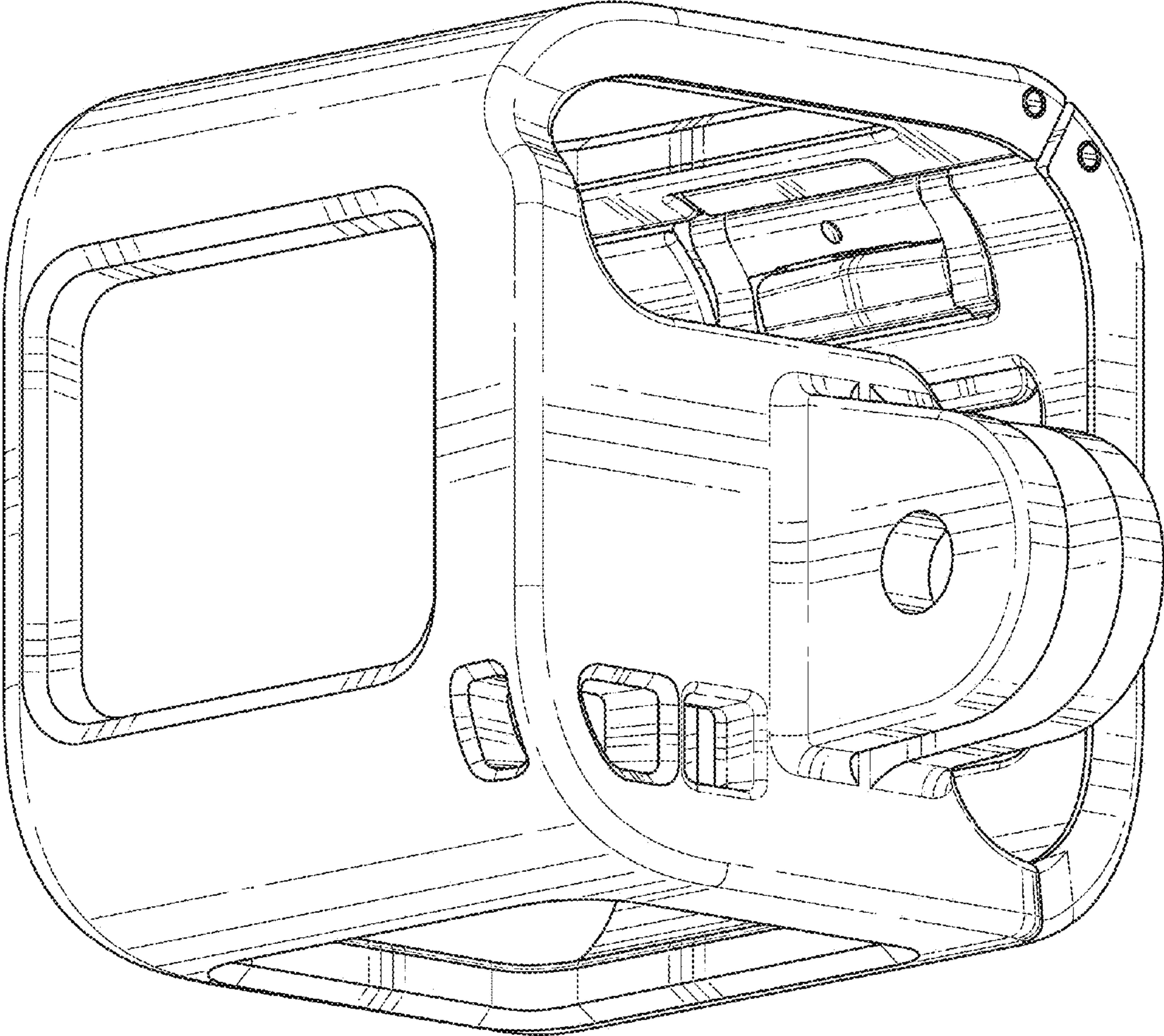


FIG. 2

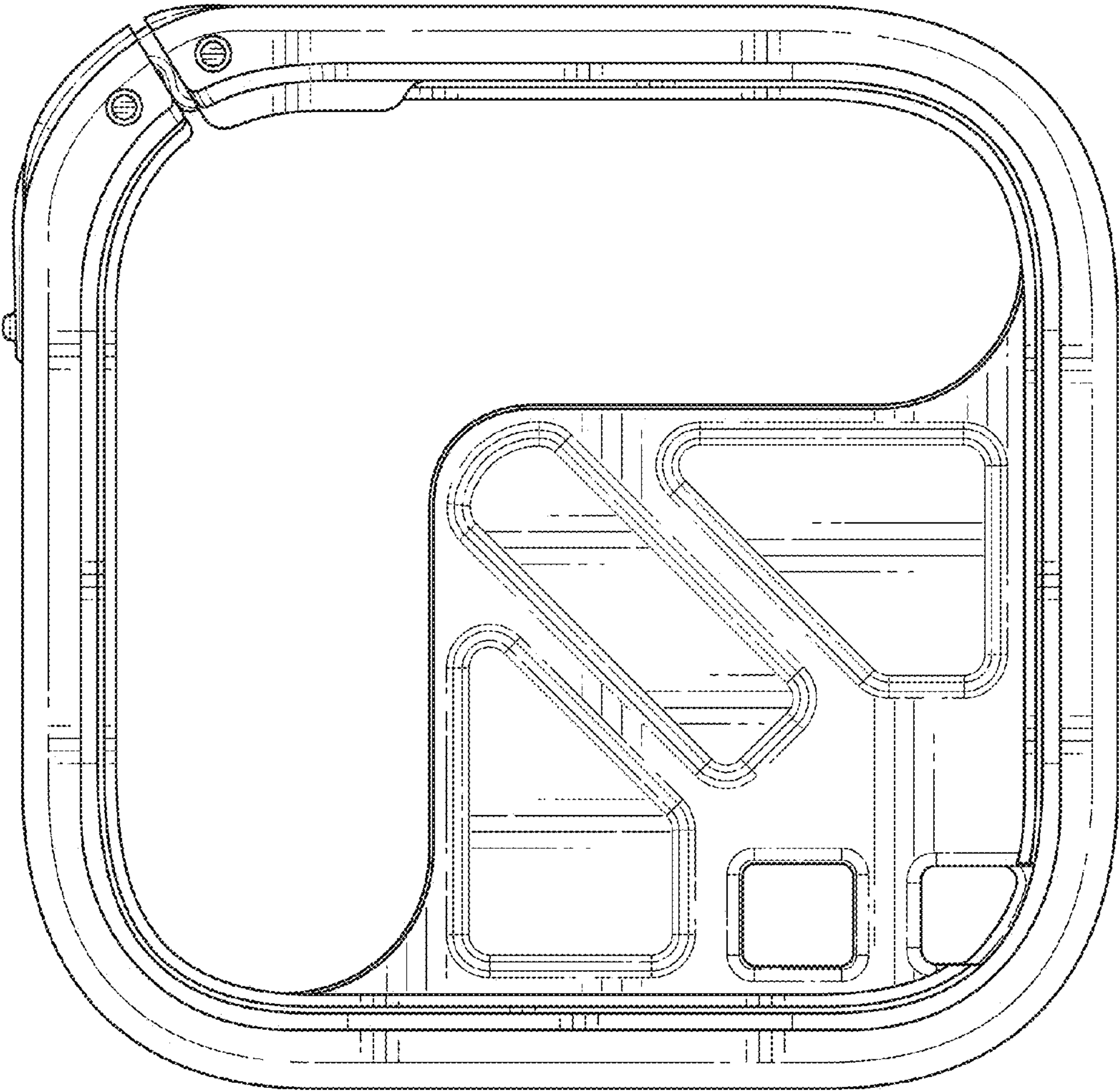


FIG. 3

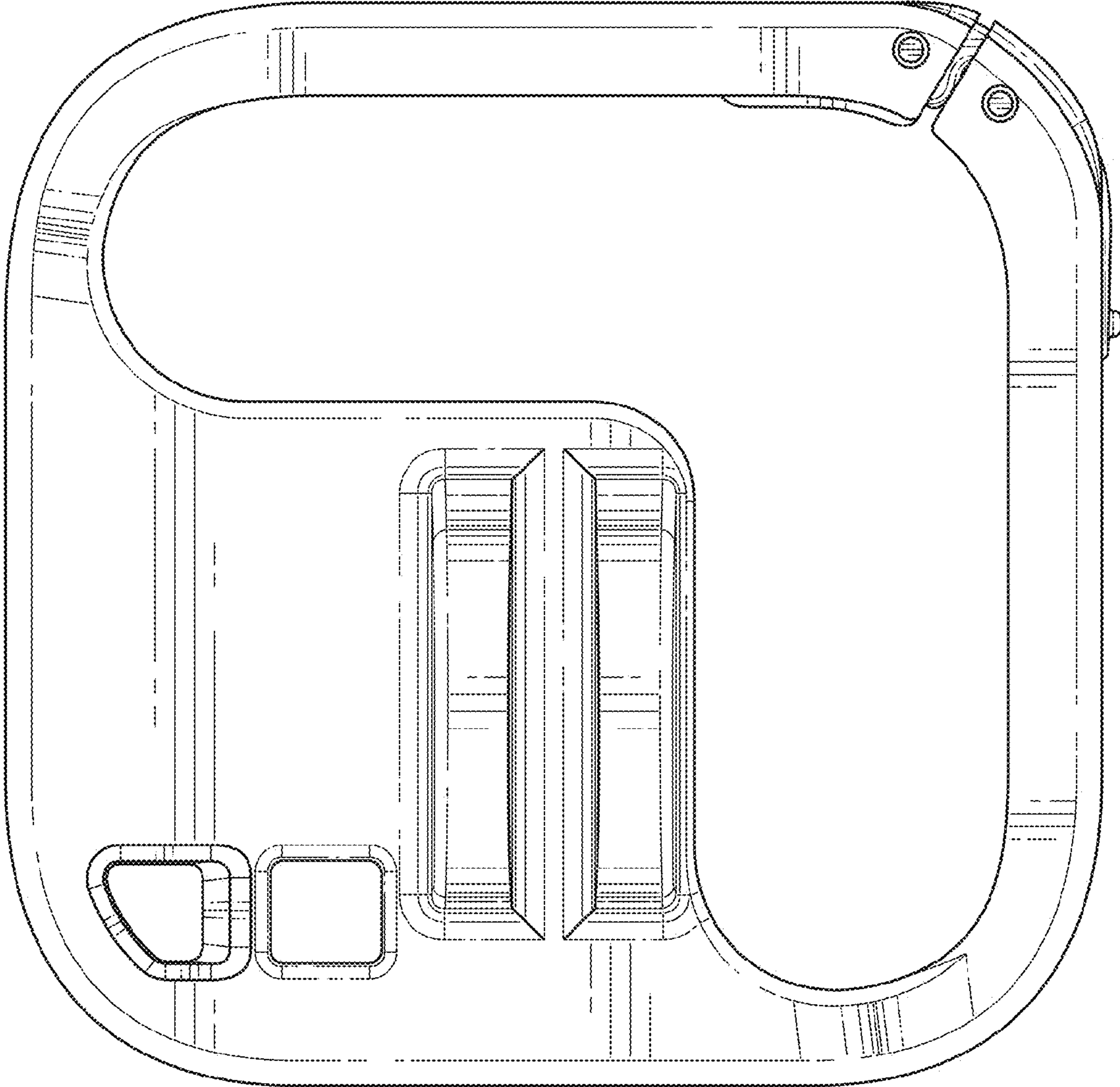


FIG. 4

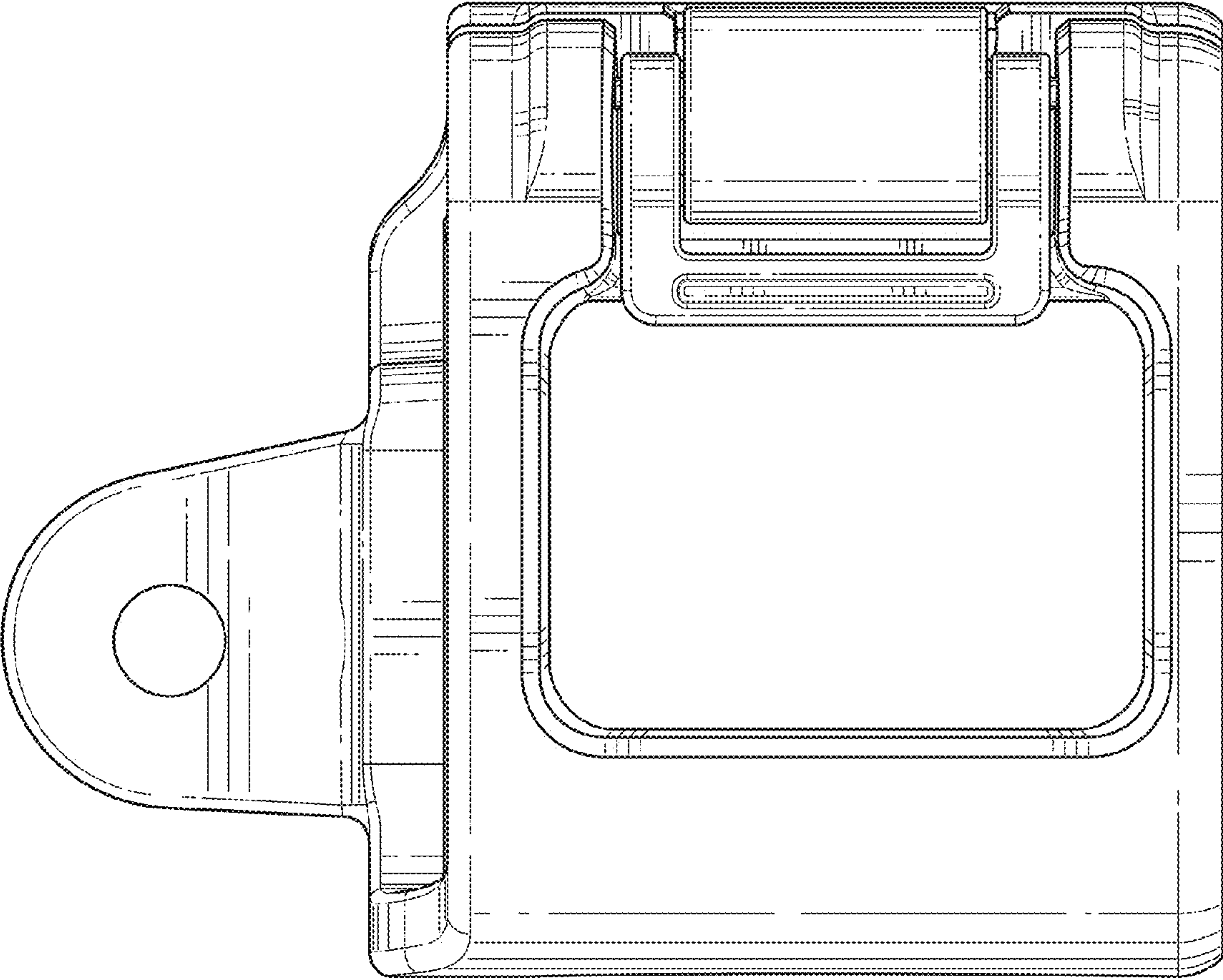


FIG. 5

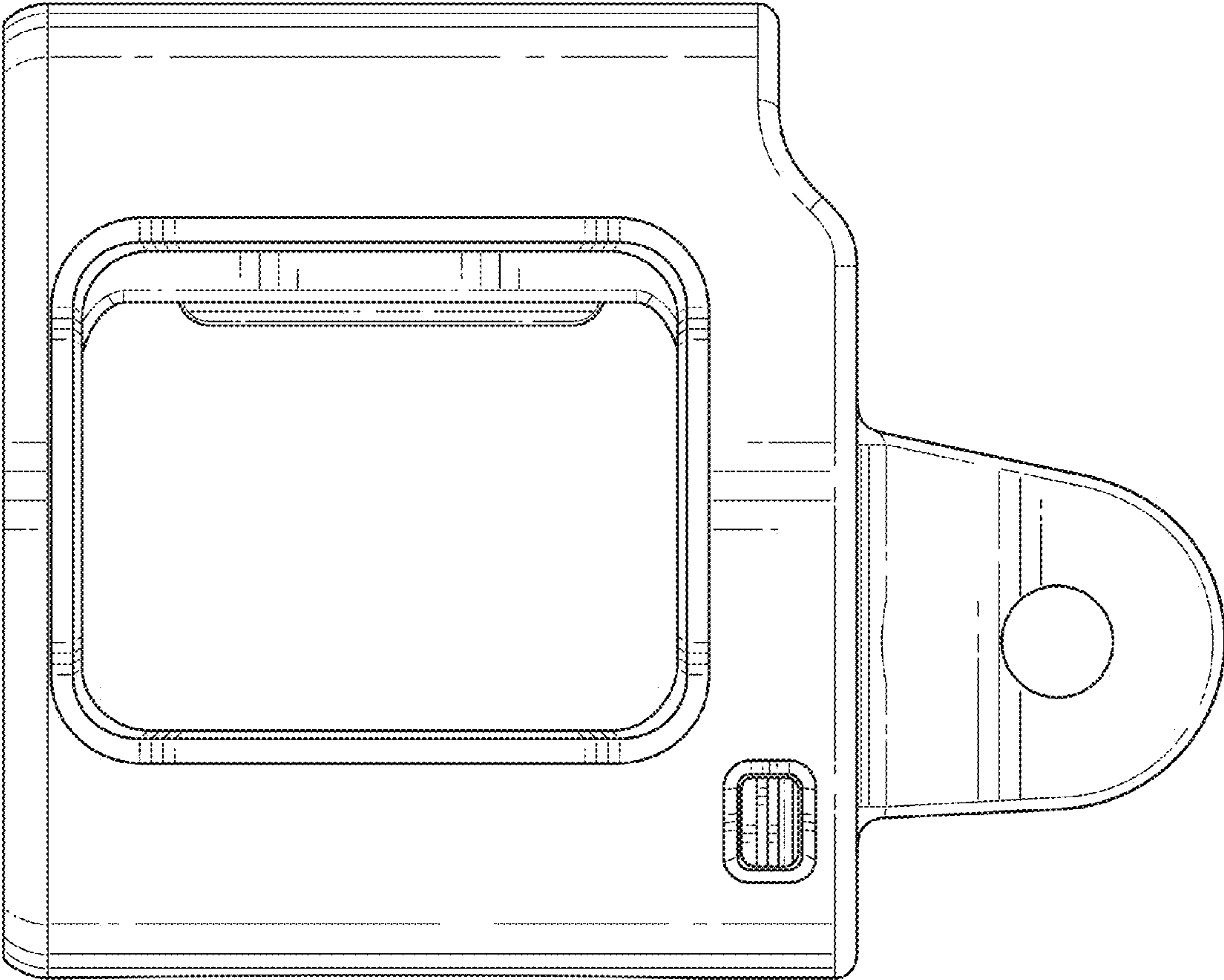


FIG. 6

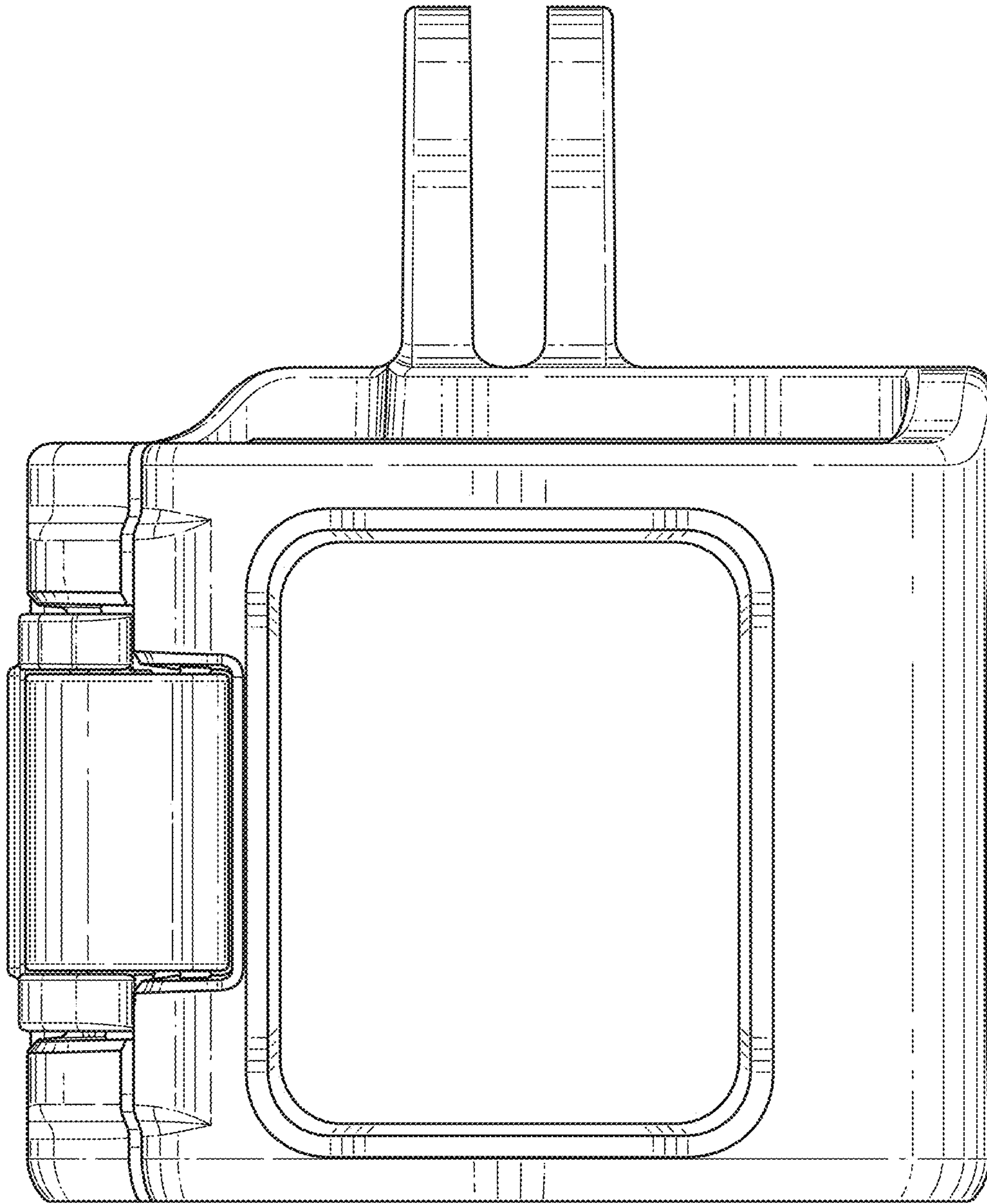


FIG. 7

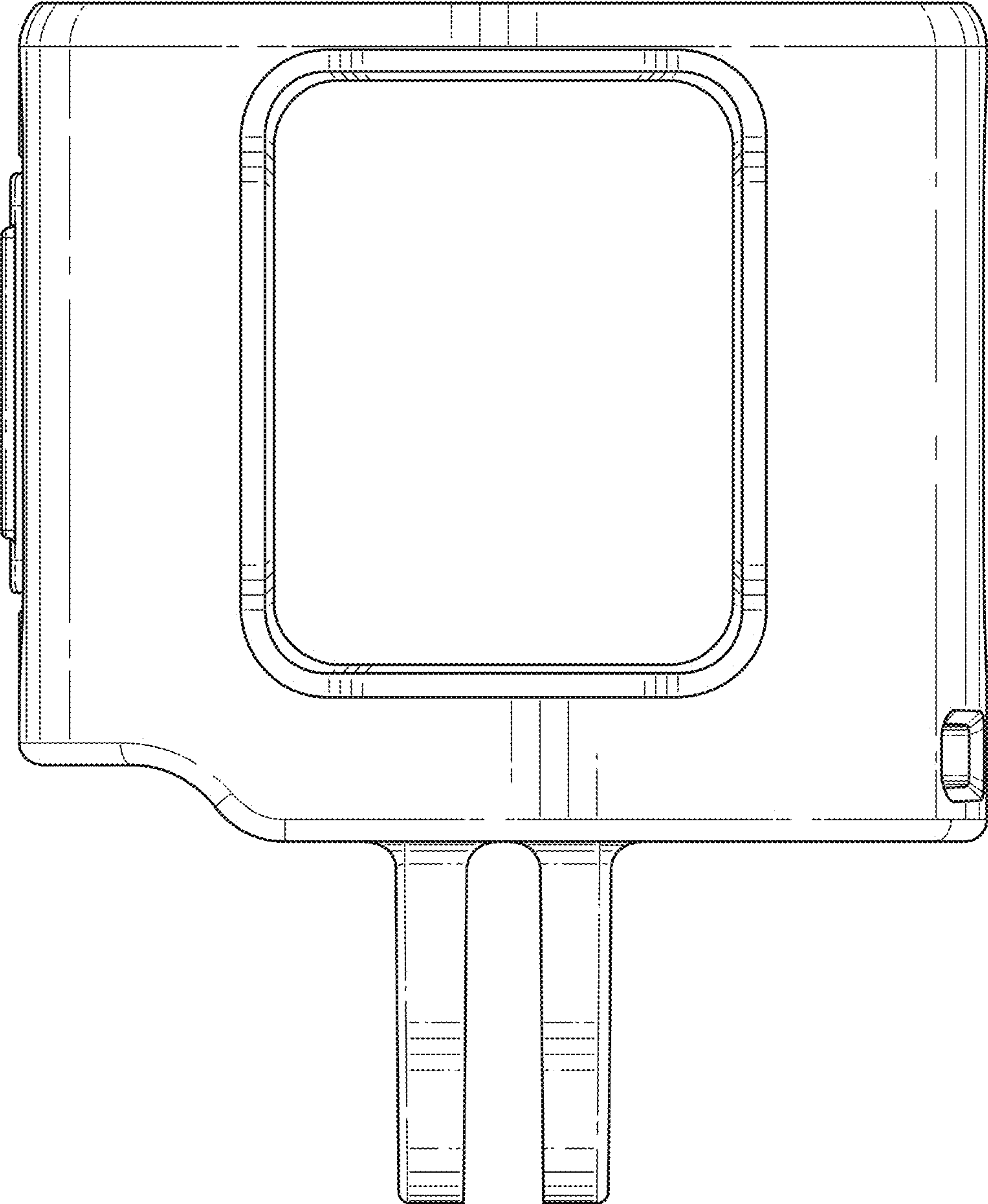


FIG. 8