



US00D752670S

(12) **United States Design Patent**
Chen

(10) **Patent No.:** **US D752,670 S**

(45) **Date of Patent:** **** Mar. 29, 2016**

(54) **NIGHT VISION TELESCOPE**

(71) Applicant: **Changing International Company Limited, Kowloon (HK)**

(72) Inventor: **Han-Che Chen, Taipei (TW)**

(73) Assignee: **Changing International Company Limited, Hong Kong (CN)**

(**) Term: **14 Years**

(21) Appl. No.: **29/510,825**

(22) Filed: **Dec. 3, 2014**

(51) **LOC (10) Cl.** **16-06**

(52) **U.S. Cl.**
USPC **D16/133; D16/132**

(58) **Field of Classification Search**
USPC D16/130, 132-133, 222; 359/399-401, 359/353, 407, 409-411, 412, 418, 480-481
CPC G02B 23/00; G02B 23/105; G02B 23/12
See application file for complete search history.

(56) **References Cited**

U.S. PATENT DOCUMENTS

3,454,773	A *	7/1969	Bulthuis	G02B 23/00 359/412
D349,509	S *	8/1994	Williams, Jr.	D16/130
D362,257	S *	9/1995	Palmer	D16/133
5,495,364	A *	2/1996	Palmer	G02B 23/12 359/412
D380,223	S *	6/1997	Palmer	D16/133
D409,212	S *	5/1999	Omino	D16/133
D418,849	S *	1/2000	Becker	D16/133
D433,430	S *	11/2000	Meinzer	D16/132

D439,260	S *	3/2001	Matsushita	D16/133
7,375,756	B2 *	5/2008	Sato	G02B 23/18 359/412
D679,304	S *	4/2013	Delaney	D16/133

* cited by examiner

Primary Examiner — Wan Laymon

(74) *Attorney, Agent, or Firm* — Muncy, Geissler, Olds & Lowe, P.C.

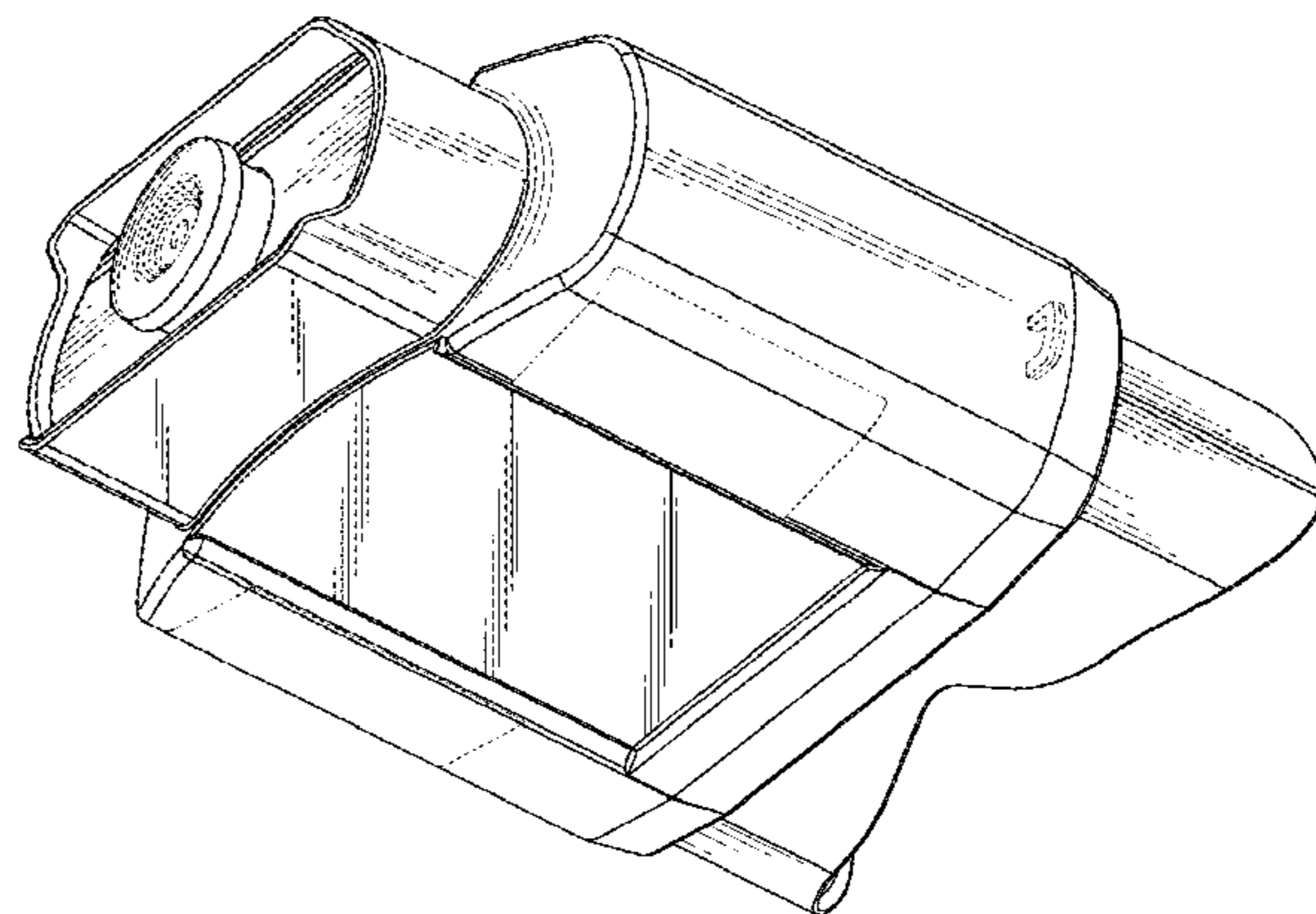
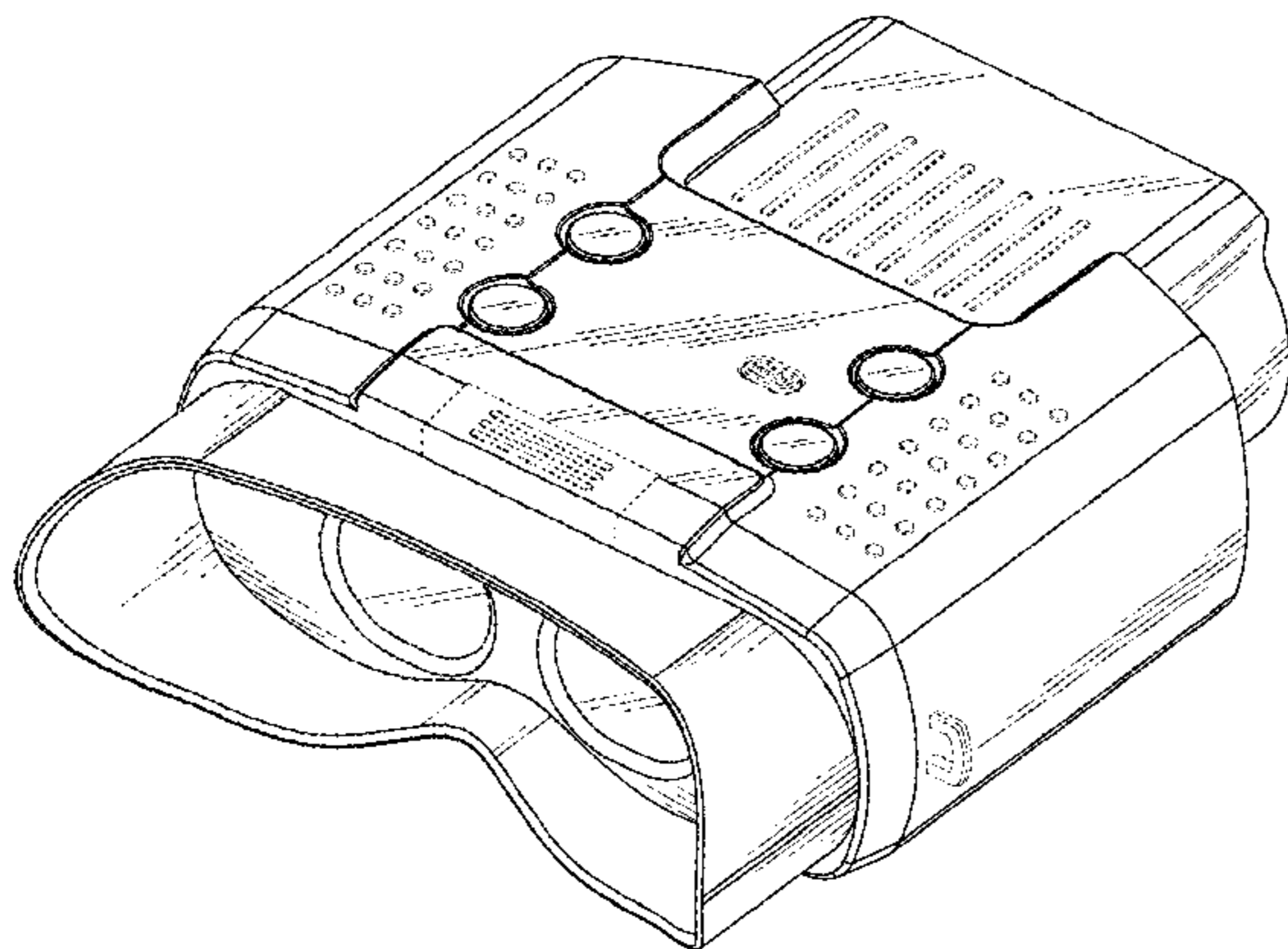
(57) **CLAIM**

The ornamental design for a night vision telescope, as shown and described.

DESCRIPTION

FIG. 1 is a front perspective view of a night vision telescope; FIG. 2 is a front view thereof; FIG. 3 is a rear view thereof; FIG. 4 is a left side view thereof; FIG. 5 is a right side view thereof; FIG. 6 is a top plan view thereof; FIG. 7 is a bottom plan view thereof; FIG. 8 is a rear perspective view thereof; FIG. 9 is a bottom perspective view thereof; FIG. 10 is an enlarged fragmentary view of a left corner portion of the front view shown in FIG. 2; FIG. 11 is an enlarged fragmentary view of a portion above a center-left portion of the front view shown in FIG. 2; FIG. 12 is an enlarged fragmentary view of a center-left portion of the front view shown in FIG. 2; FIG. 13 is an enlarged fragmentary view of a left corner portion of the rear view shown in FIG. 3; and, FIG. 14 is an enlarged fragmentary view of a central top portion of the rear view shown in FIG. 3. The broken lines shown in FIGS. 1-14 depict environment and form no part of the claimed design.

1 Claim, 9 Drawing Sheets



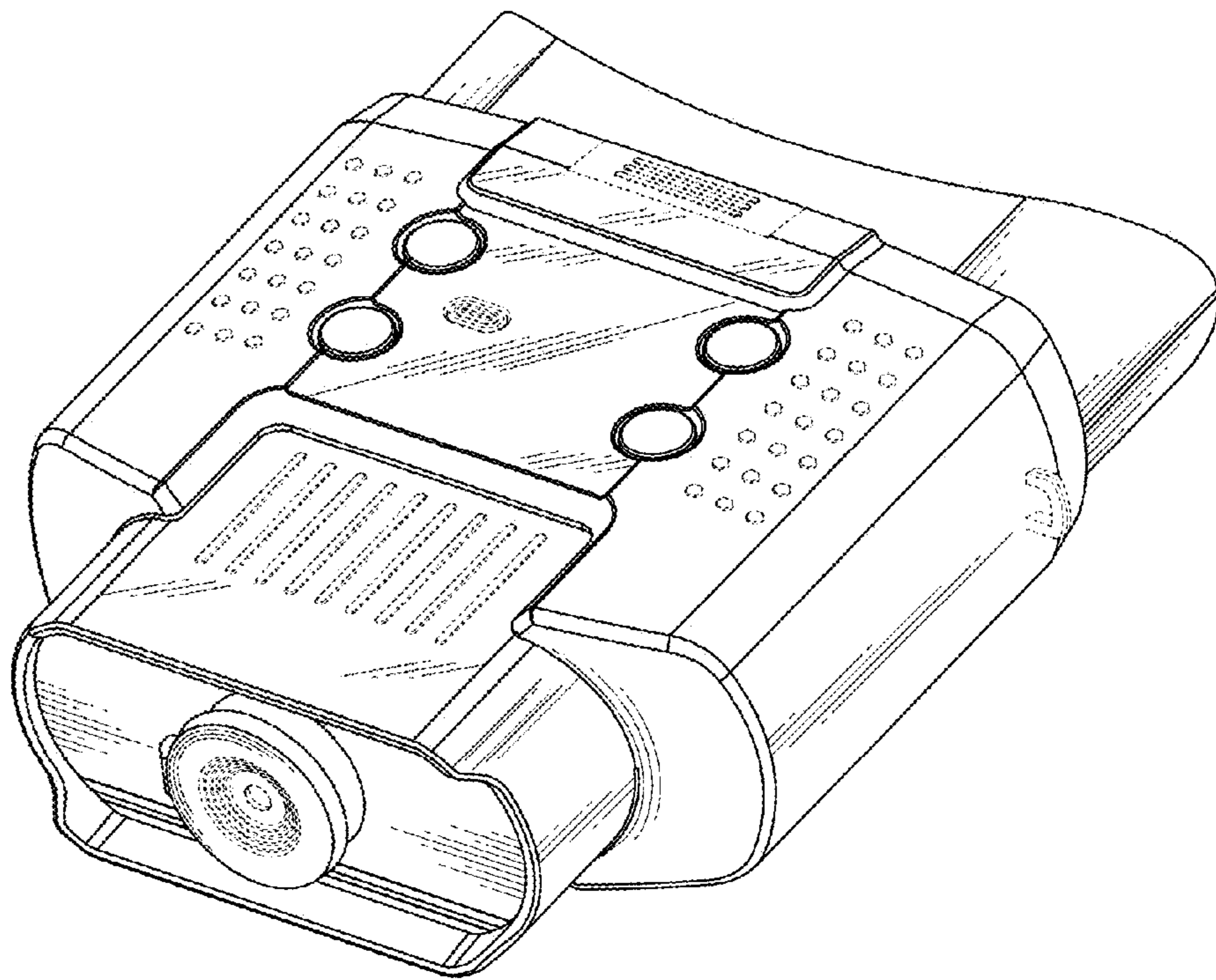


FIG. 1

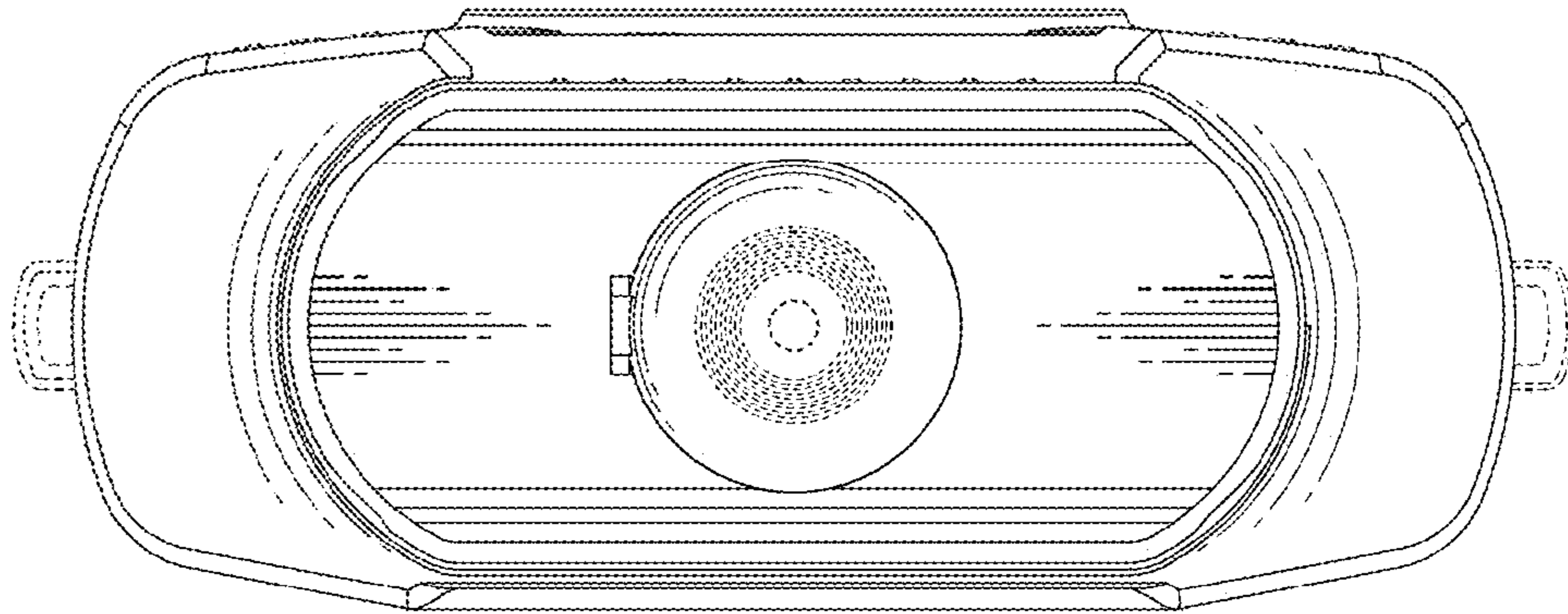


FIG. 2

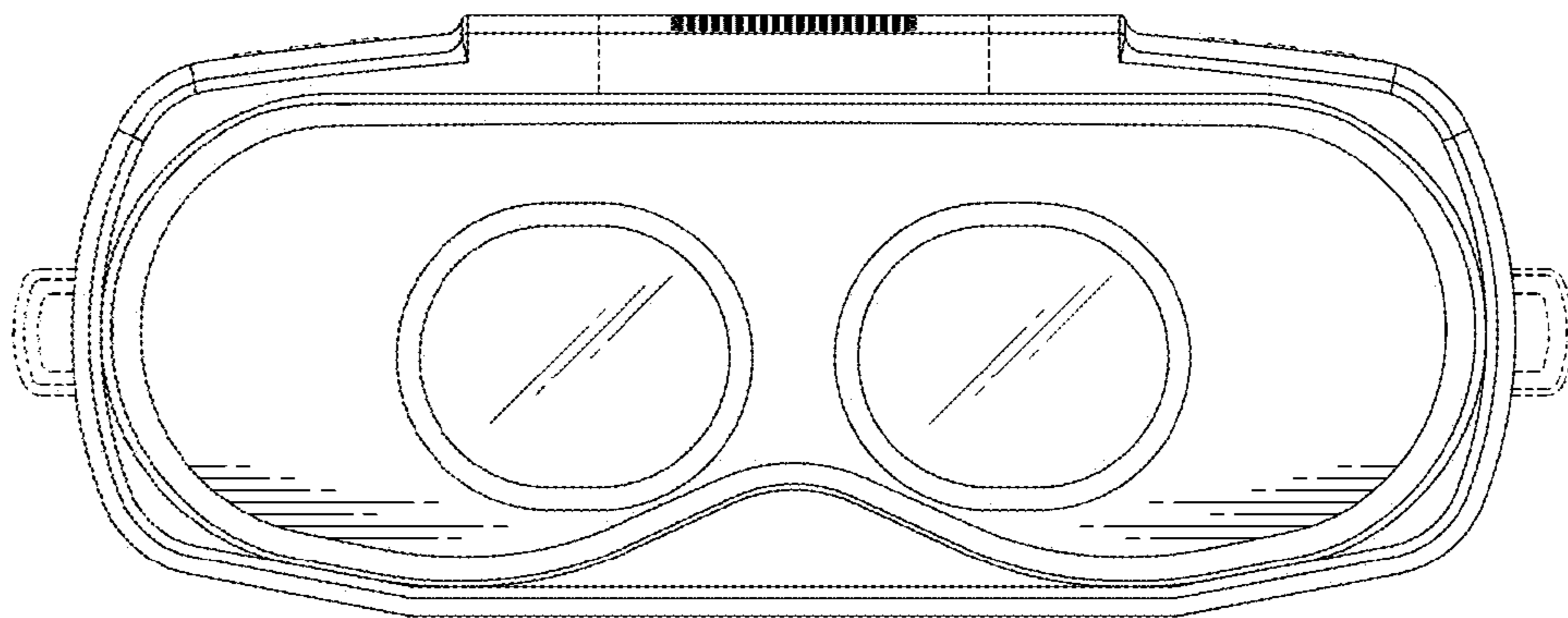


FIG. 3

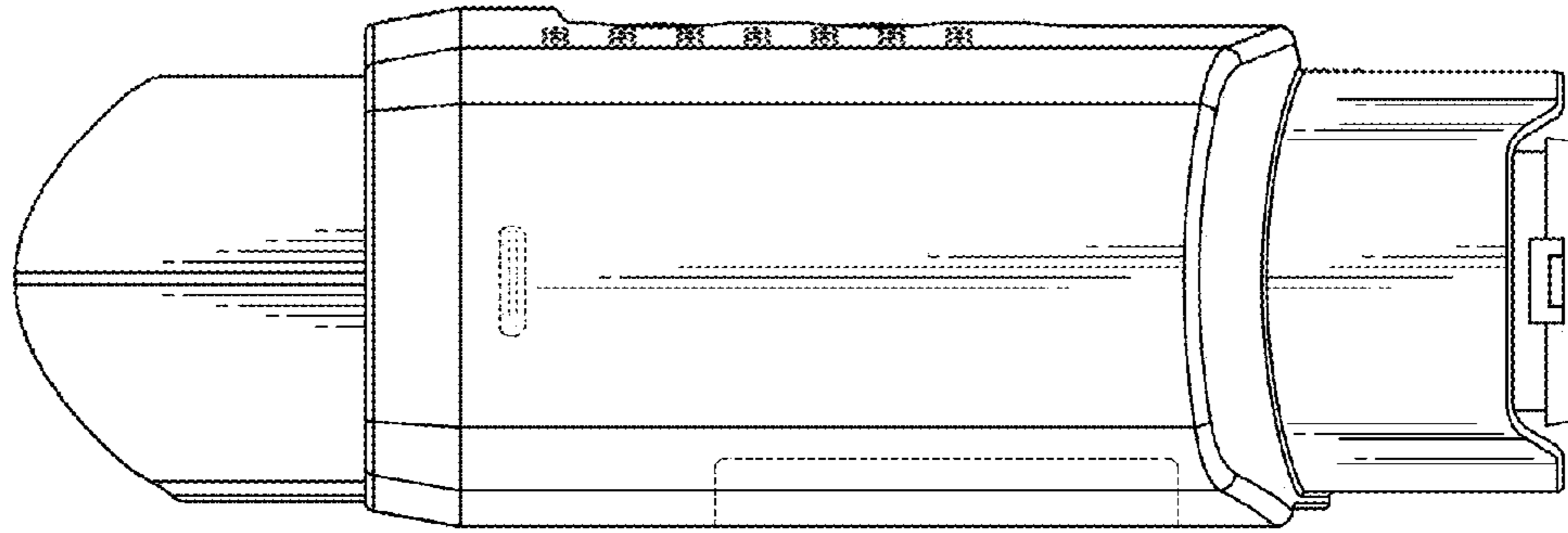


FIG. 4

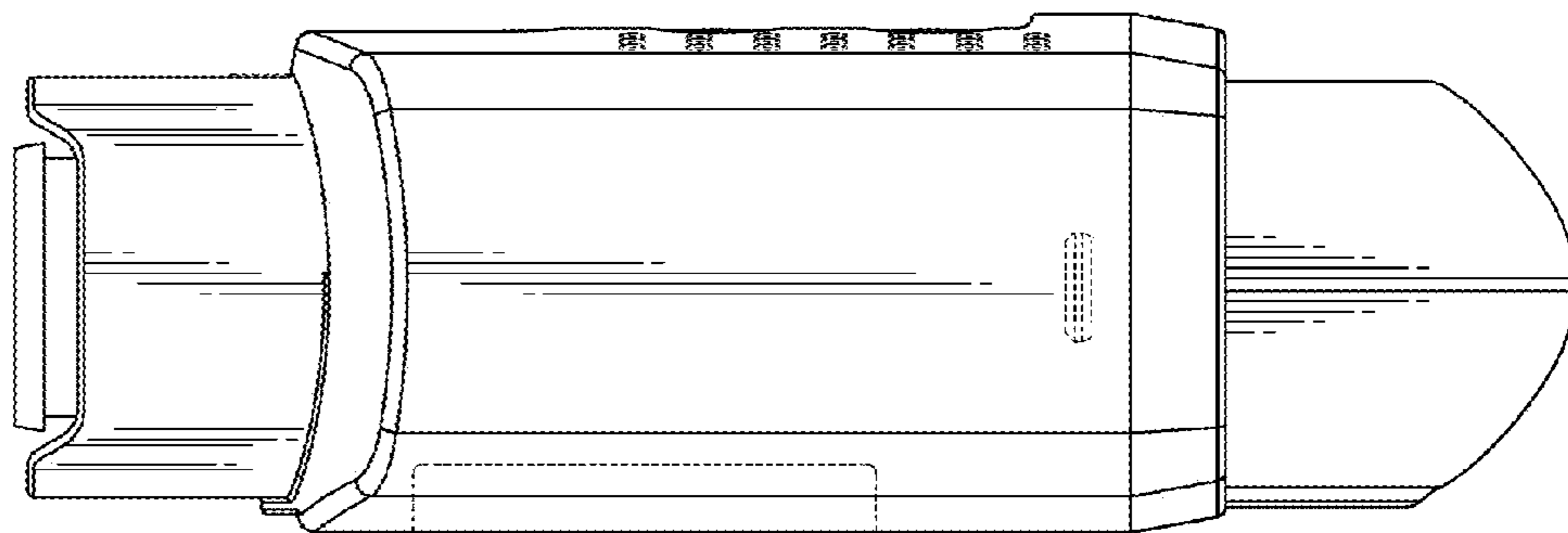


FIG. 5

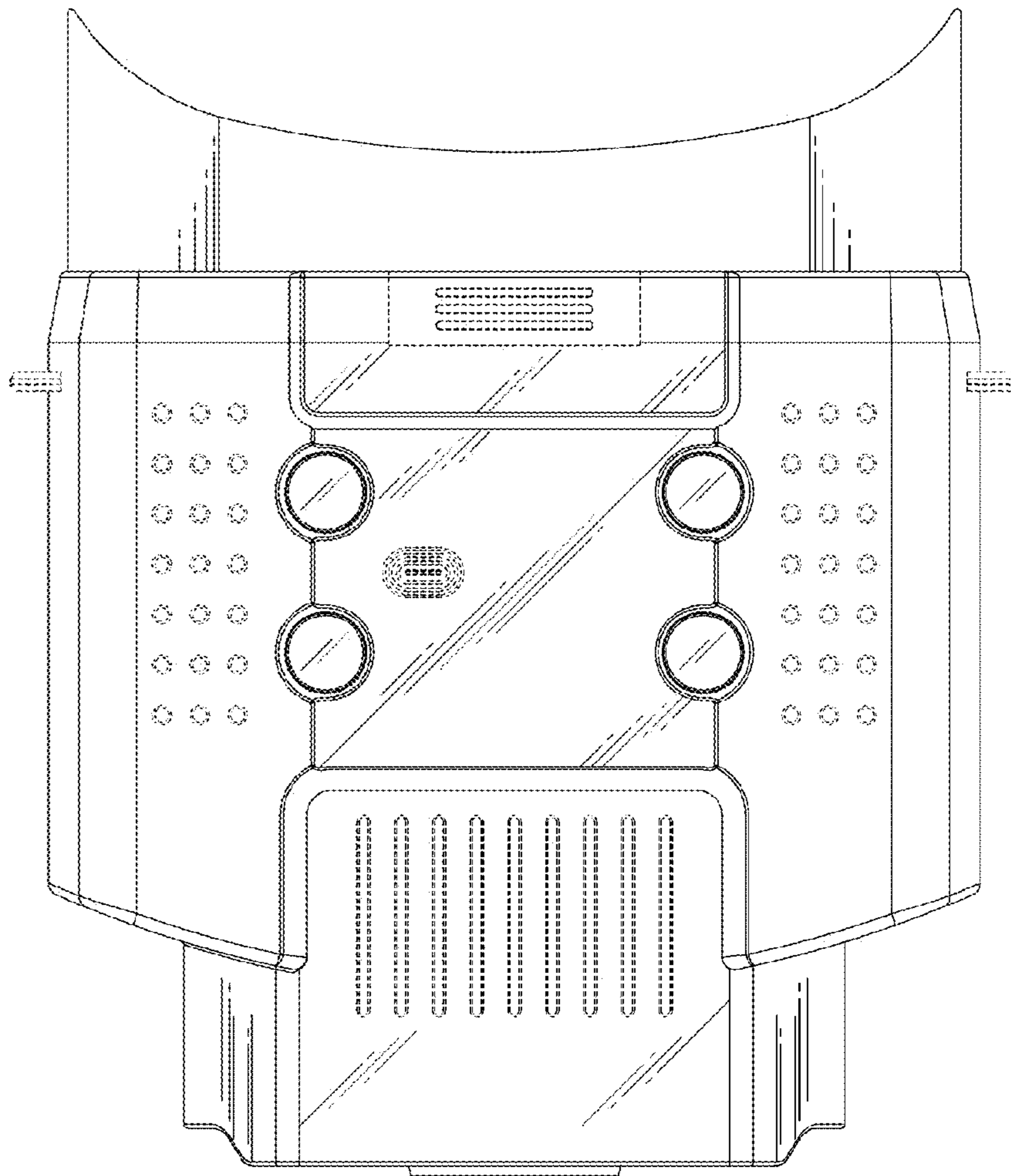


FIG. 6

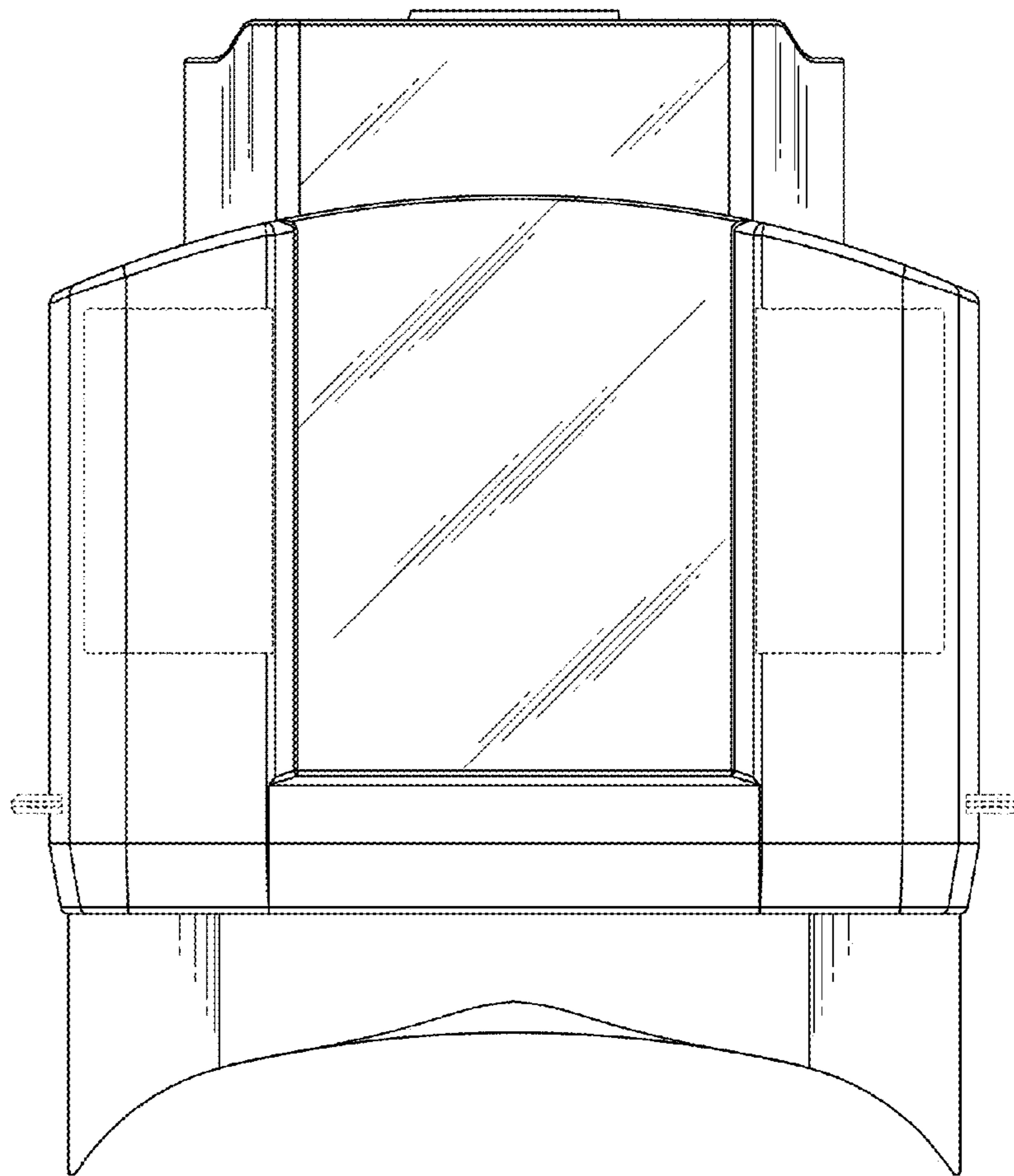


FIG. 7

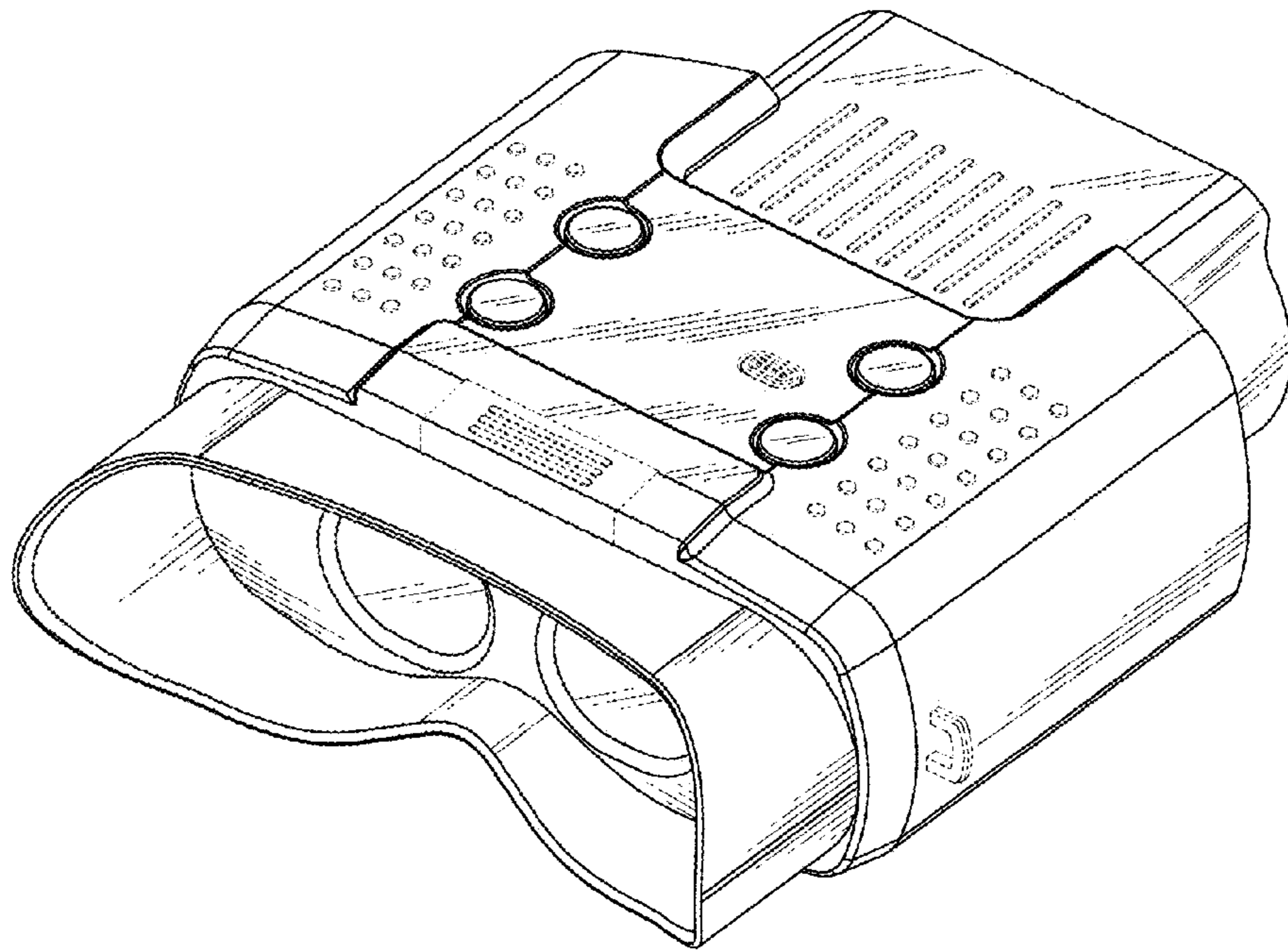


FIG. 8

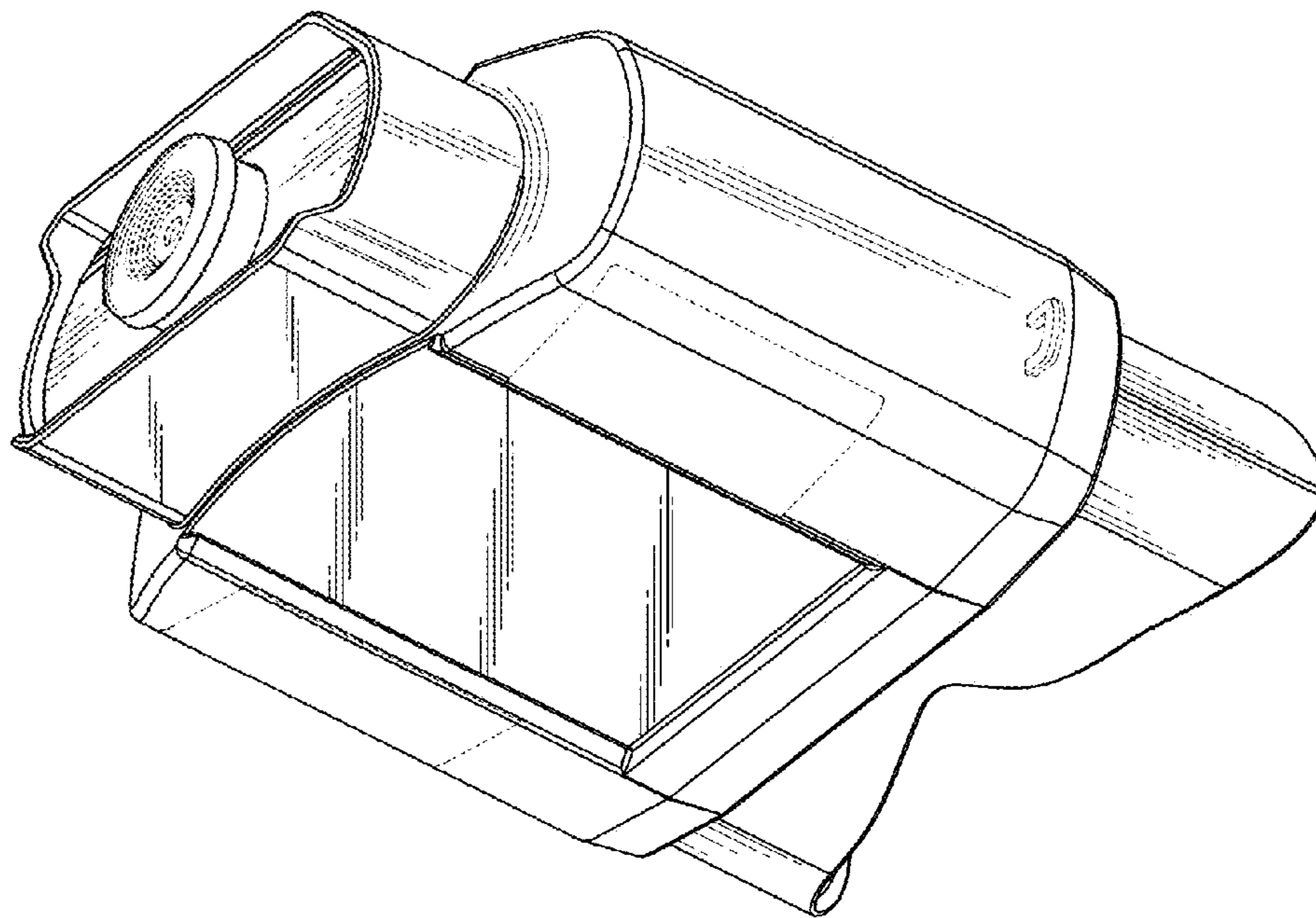


FIG. 9

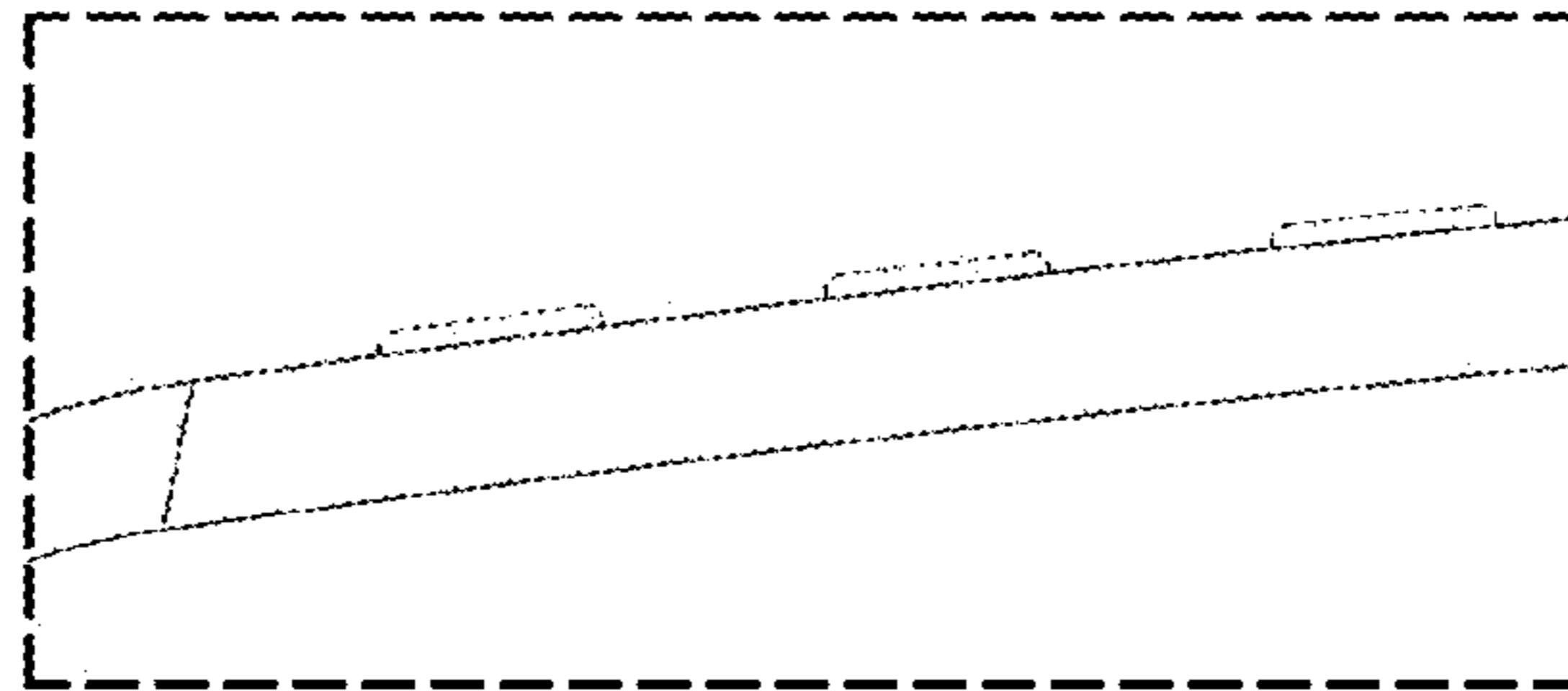


FIG. 10

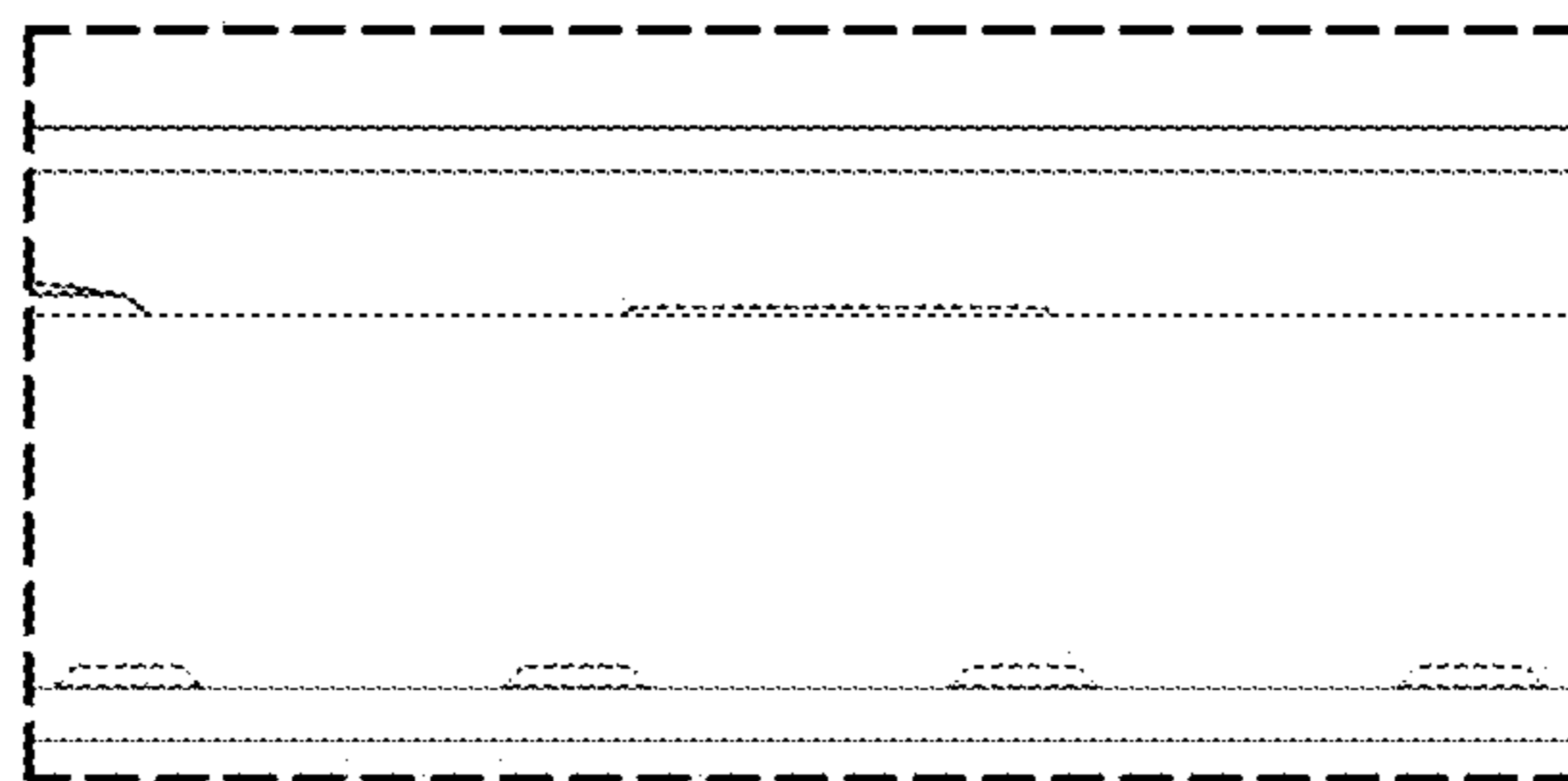


FIG. 11

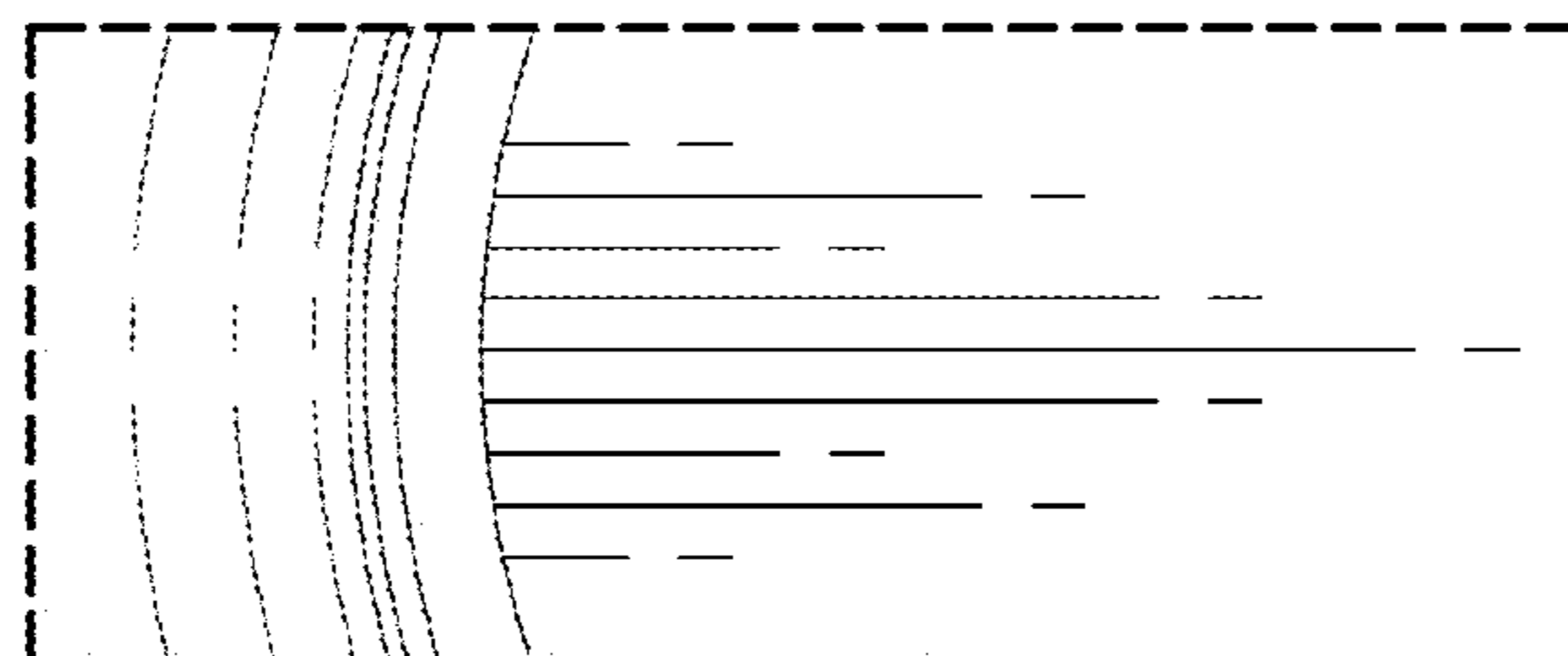


FIG. 12

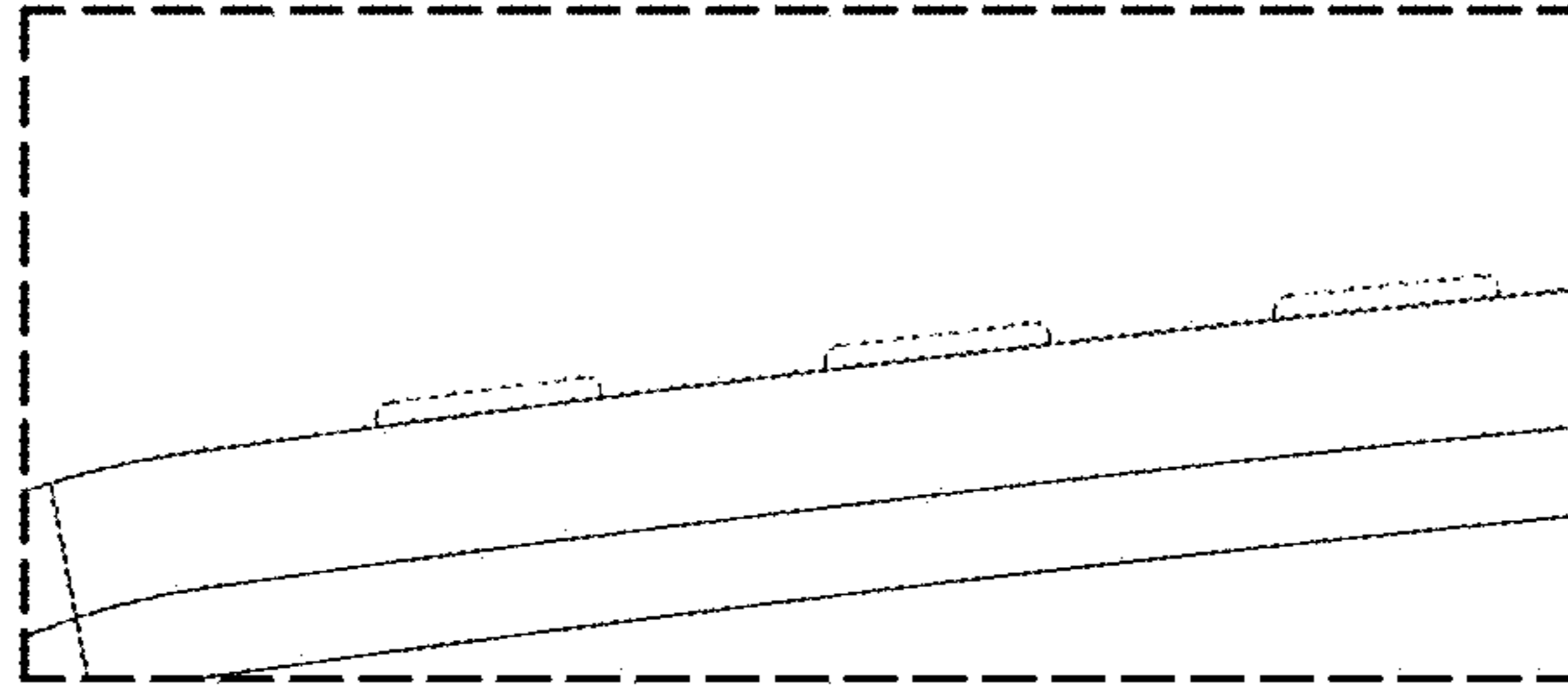


FIG. 13



FIG. 14