



US00D752668S

(12) **United States Design Patent**
Pedersen et al.

(10) **Patent No.:** **US D752,668 S**
(45) **Date of Patent:** **** Mar. 29, 2016**

(54) **MOUNT SYSTEM FOR ROBOTIC TOOLING**

(71) Applicant: **GRIPA HOLDING APS**, Frederikshavn (DK)

(72) Inventors: **Mads Moller Pedersen**, Jerup (DK);
Rene Norgaard, Stovring (DK)

(73) Assignee: **GRIPA HOLDING APS**, Frederikshavn (DK)

(**) Term: **14 Years**

(21) Appl. No.: **29/520,602**

(22) Filed: **Mar. 16, 2015**

(30) **Foreign Application Priority Data**

Sep. 16, 2014 (DK) 2014 00086

(51) **LOC (10) CL.** **15-99**

(52) **U.S. CL.**
USPC **D15/199**

(58) **Field of Classification Search**
USPC D15/199; D21/578
See application file for complete search history.

(56) **References Cited**

U.S. PATENT DOCUMENTS

D294,841	S	*	3/1988	Beley	D21/578
D427,742	S	*	7/2000	McCormack	D99/28
D431,708	S	*	10/2000	McCormack	D14/900
D456,080	S	*	4/2002	Karlsson	D24/185
D553,655	S	*	10/2007	Jennings	D15/199
D571,678	S	*	6/2008	Hinshaw	D10/70
D572,739	S	*	7/2008	Jennings	D15/199
D585,943	S	*	2/2009	Pymm	D20/10
D626,353	S	*	11/2010	Magruder	D14/307

8,272,466	B2	*	9/2012	Moriguchi	B25J 5/007 180/167
D675,656	S	*	2/2013	Sutherland	D15/199
8,386,077	B2	*	2/2013	Birkenbach	A61B 19/2203 700/245
D697,104	S	*	1/2014	Dye	D15/199
D701,256	S	*	3/2014	Song	D15/199
D716,357	S	*	10/2014	Gombert	D15/199
8,850,696	B2	*	10/2014	Baudisch	B25J 15/0019 29/718
D720,378	S	*	12/2014	Dye	D15/199
D725,166	S	*	3/2015	Paik	D15/199
D725,167	S	*	3/2015	Song	D15/199
8,974,372	B2	*	3/2015	Fell	A61B 9/2203 600/114
D726,836	S	*	4/2015	Song	D15/199
D732,096	S	*	6/2015	Jang	D15/199
D735,258	S	*	7/2015	Jang	D15/199
9,174,342	B2	*	11/2015	Pinter	B25J 9/1676

* cited by examiner

Primary Examiner — Patricia Palasik

(74) *Attorney, Agent, or Firm* — Holland & Hart

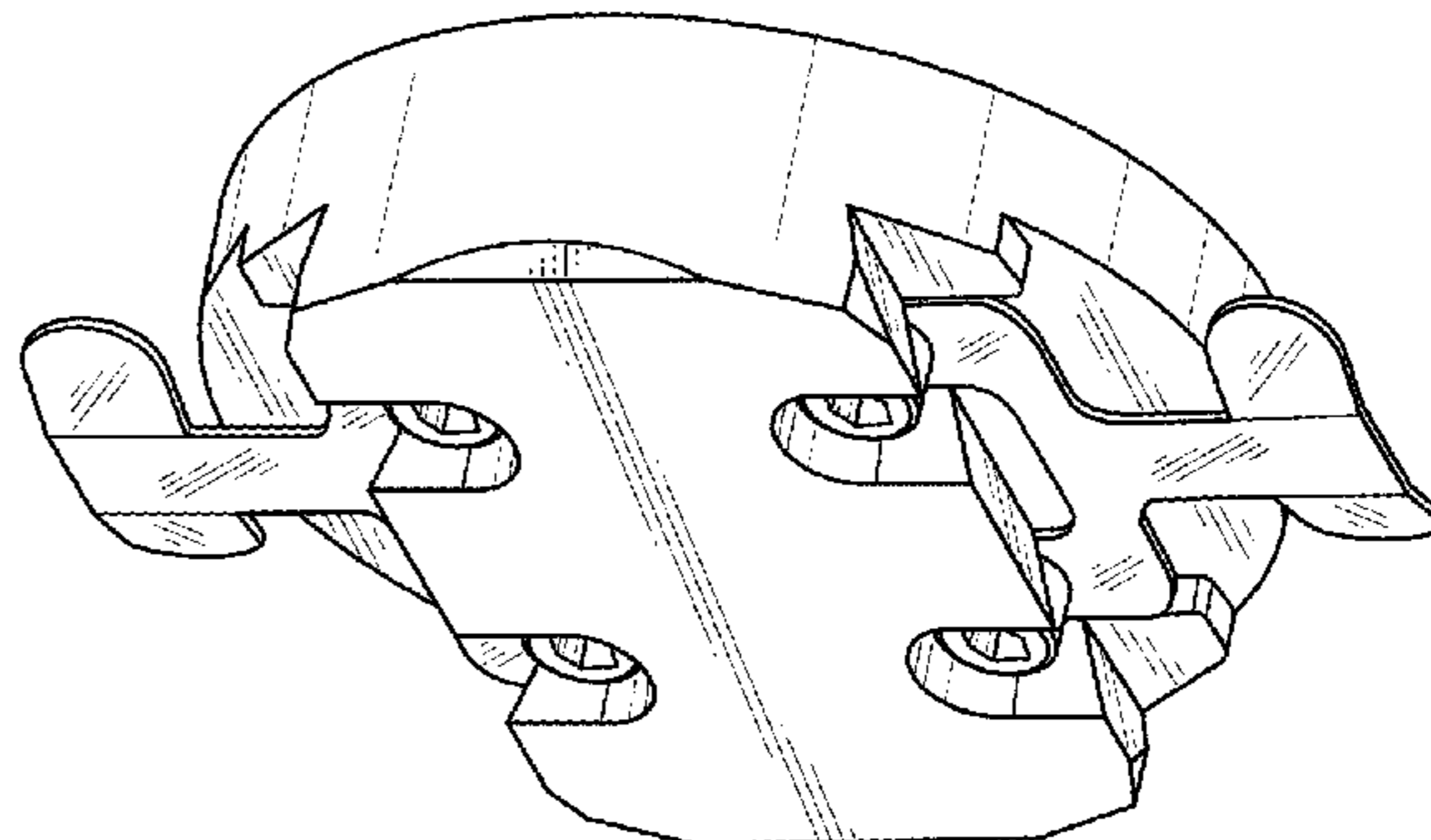
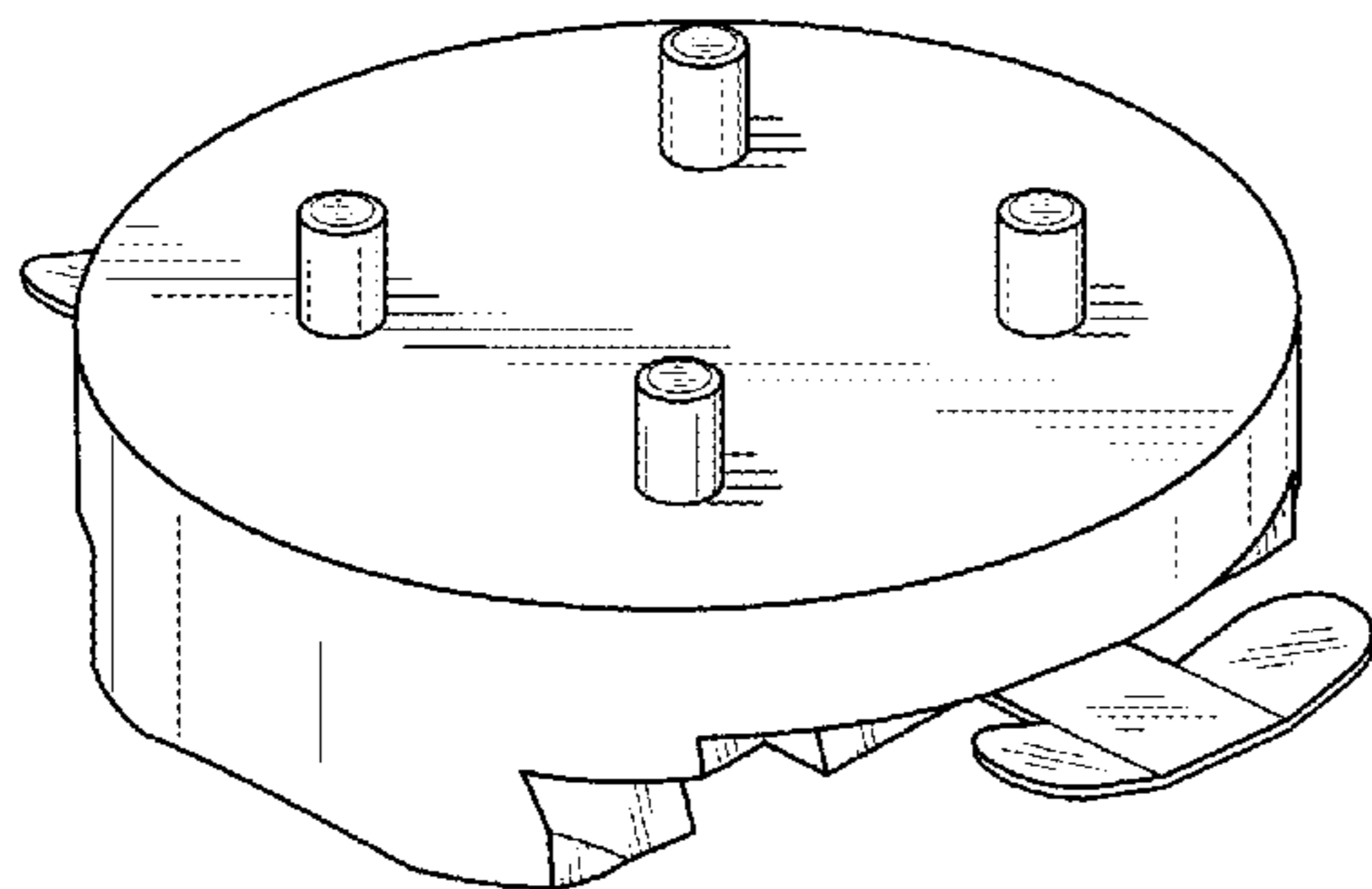
(57) **CLAIM**

The ornamental design for a mount system for robotic tooling, as shown and described.

DESCRIPTION

FIG. 1 is a top perspective view of a mount system for robotic tooling according to the present invention; FIG. 2 is a bottom perspective view thereof; FIG. 3 is a front view thereof; FIG. 4 is a rear view thereof; FIG. 5 is a left side view thereof; FIG. 6 is a right side view thereof; FIG. 7 is a top view thereof; and, FIG. 8 is a bottom view thereof.

1 Claim, 3 Drawing Sheets



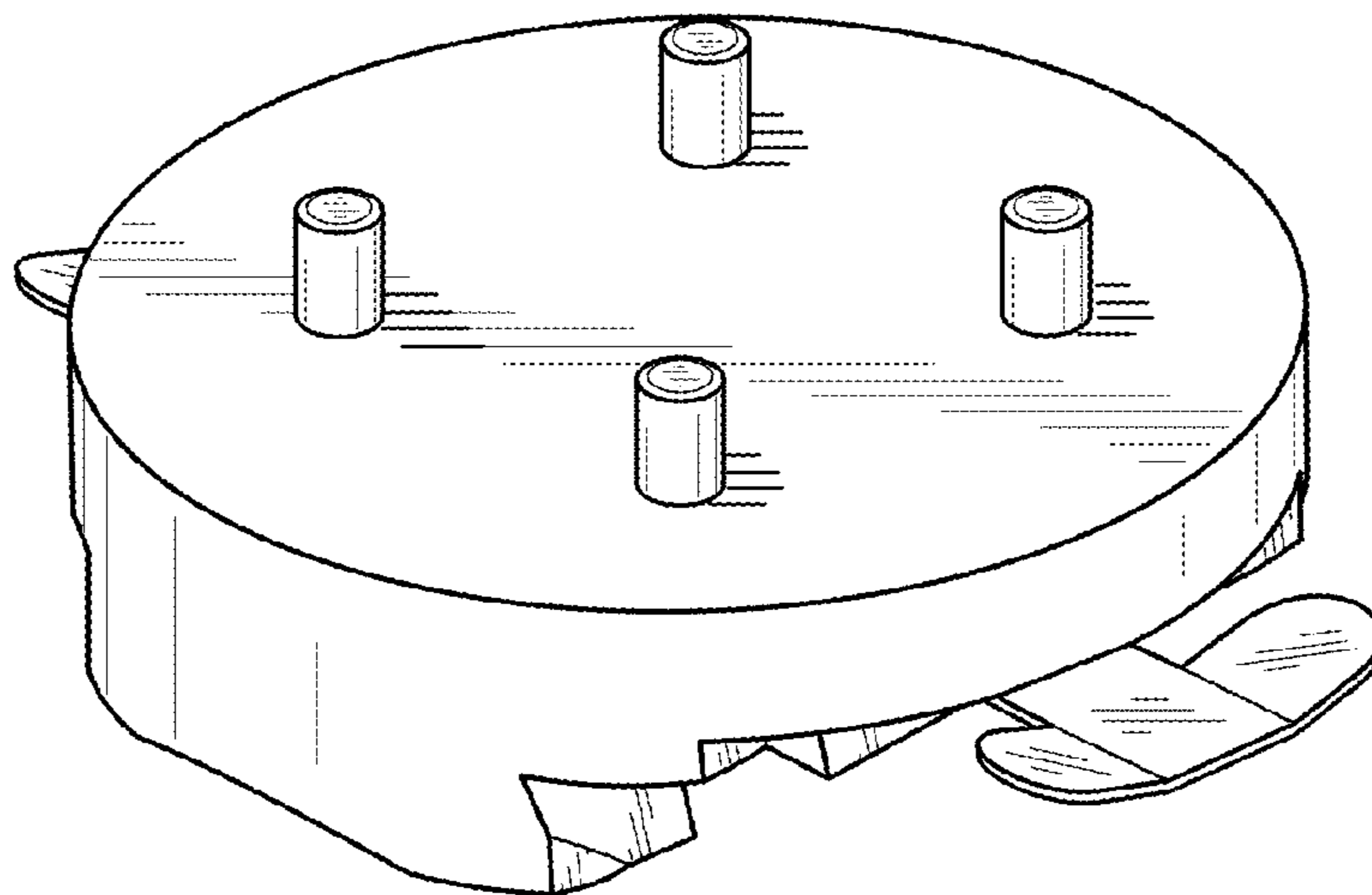


FIG. 1

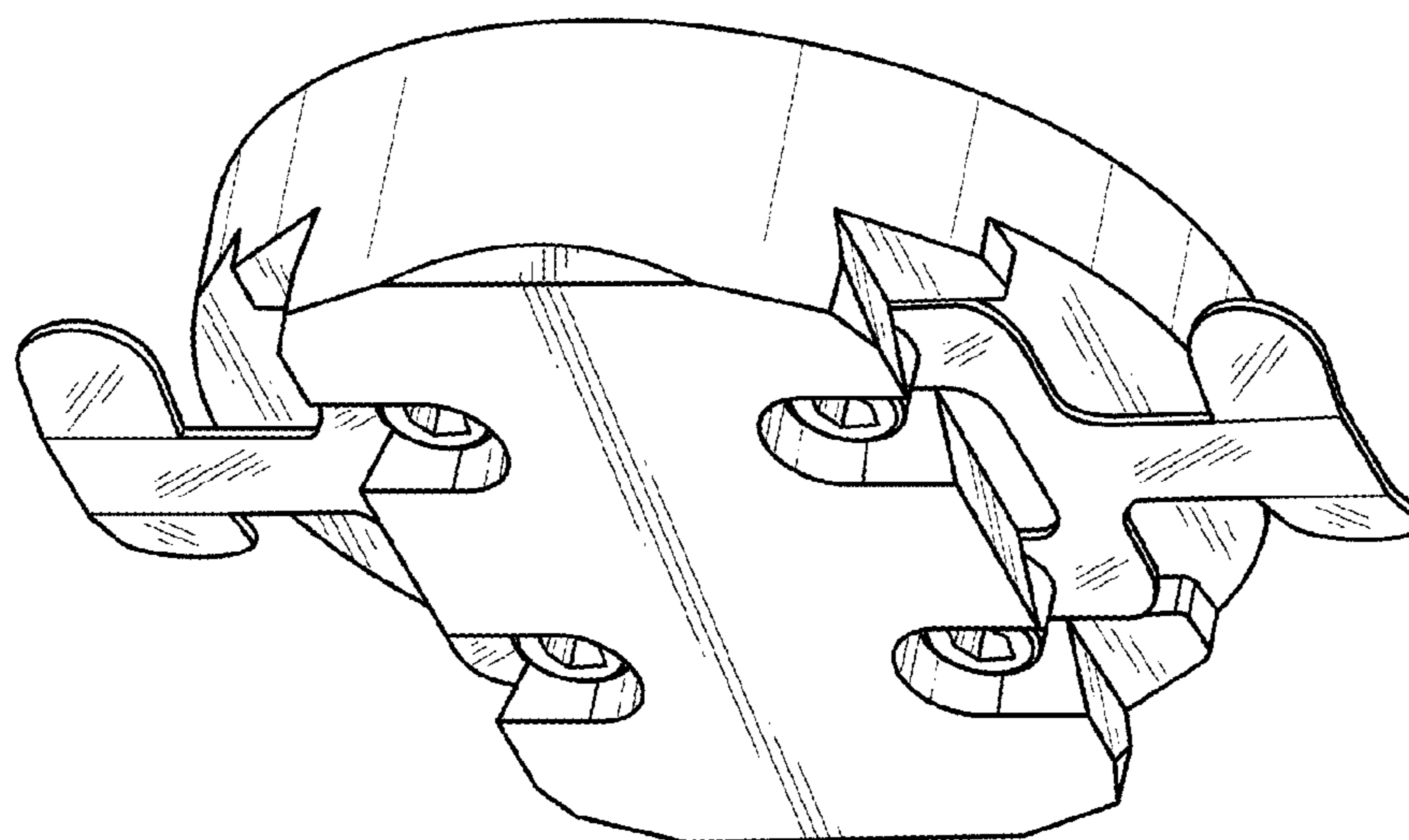


FIG. 2

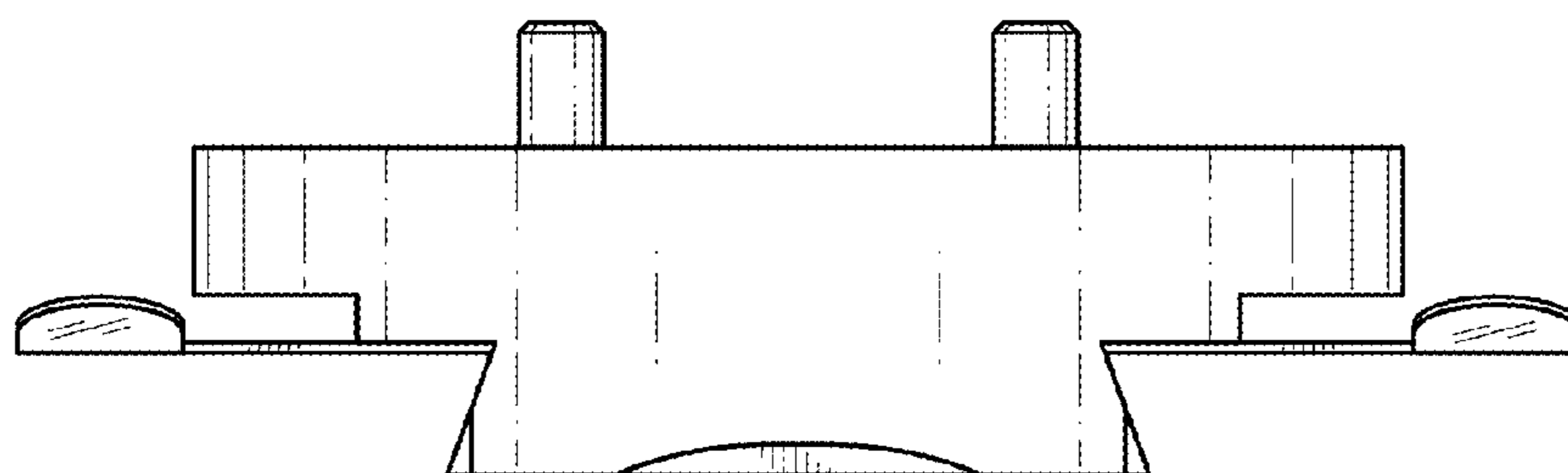


FIG. 3

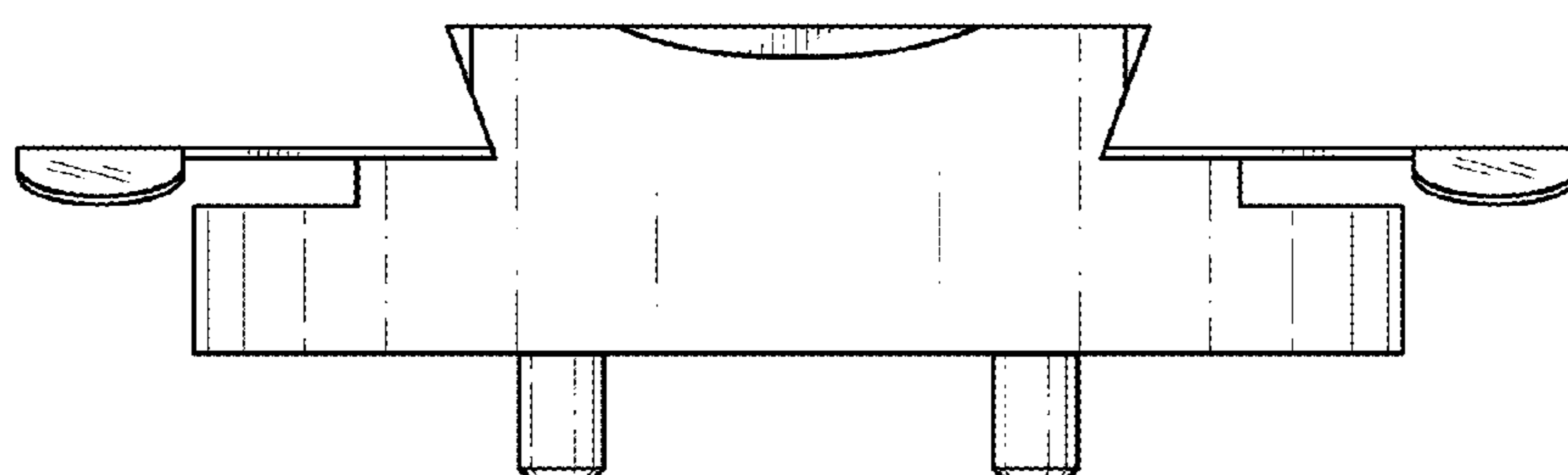


FIG. 4

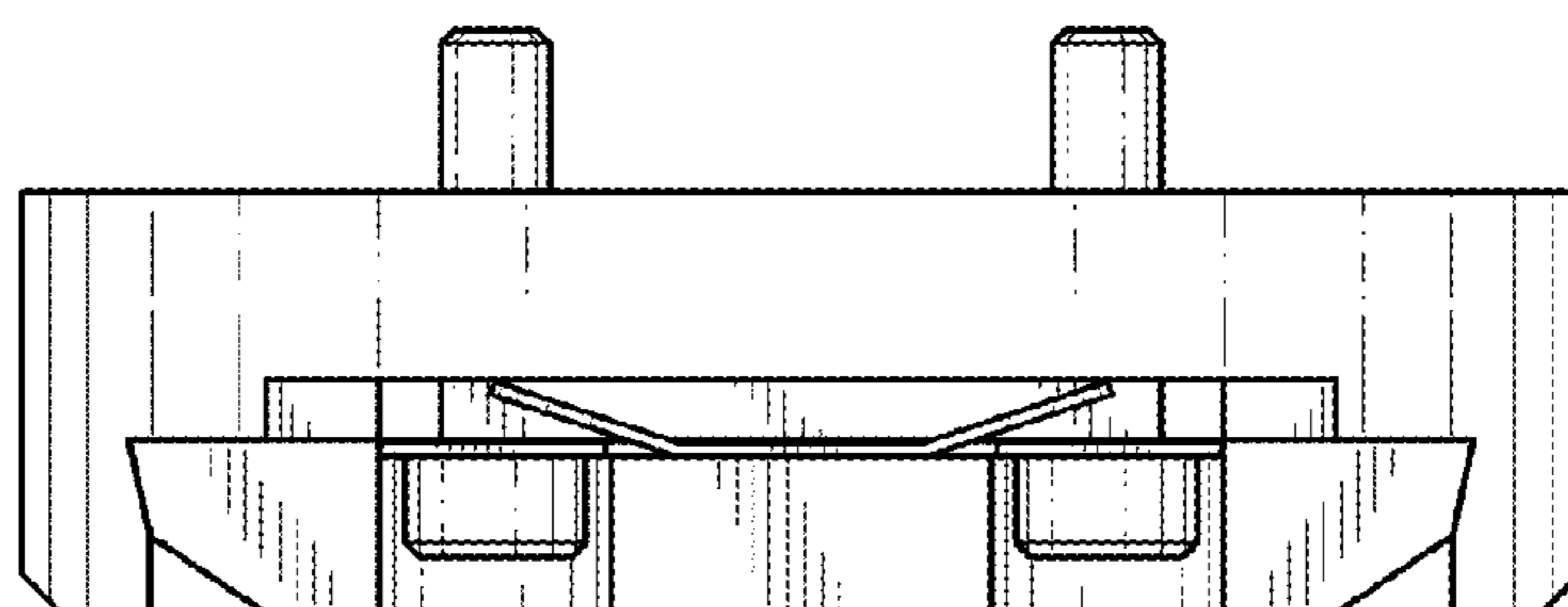


FIG. 5

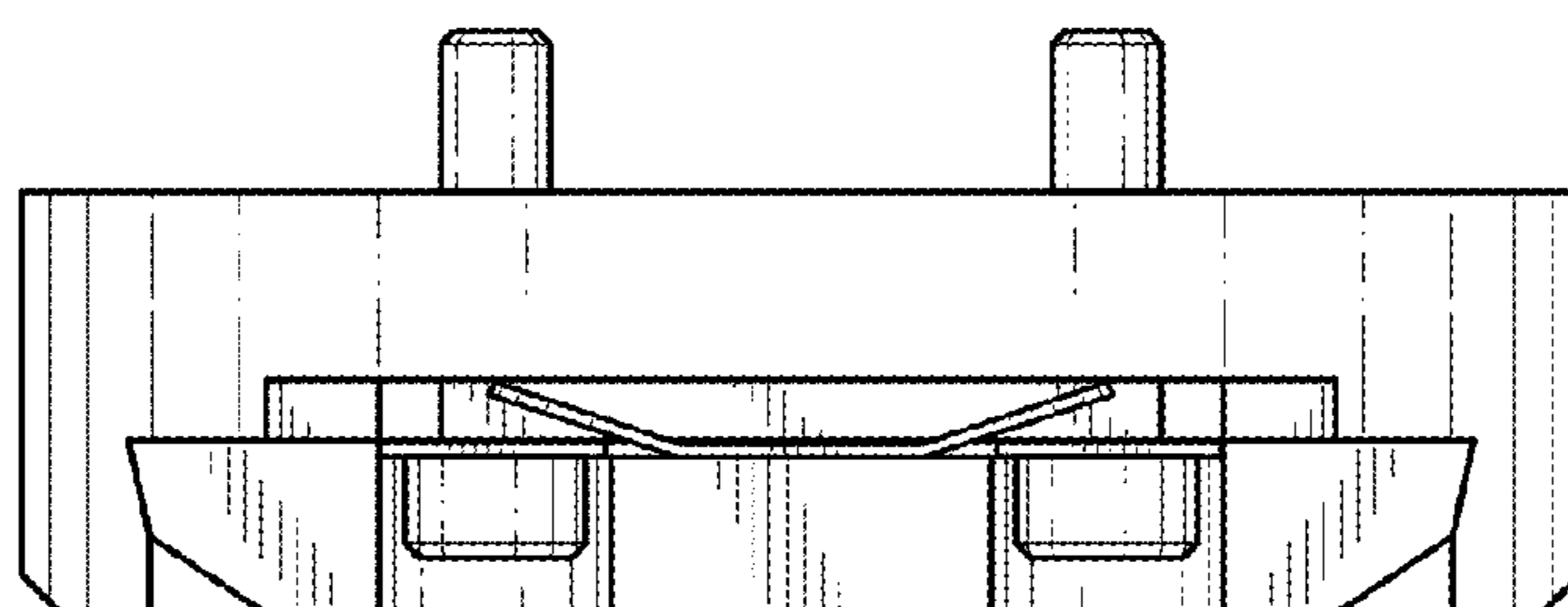


FIG. 6

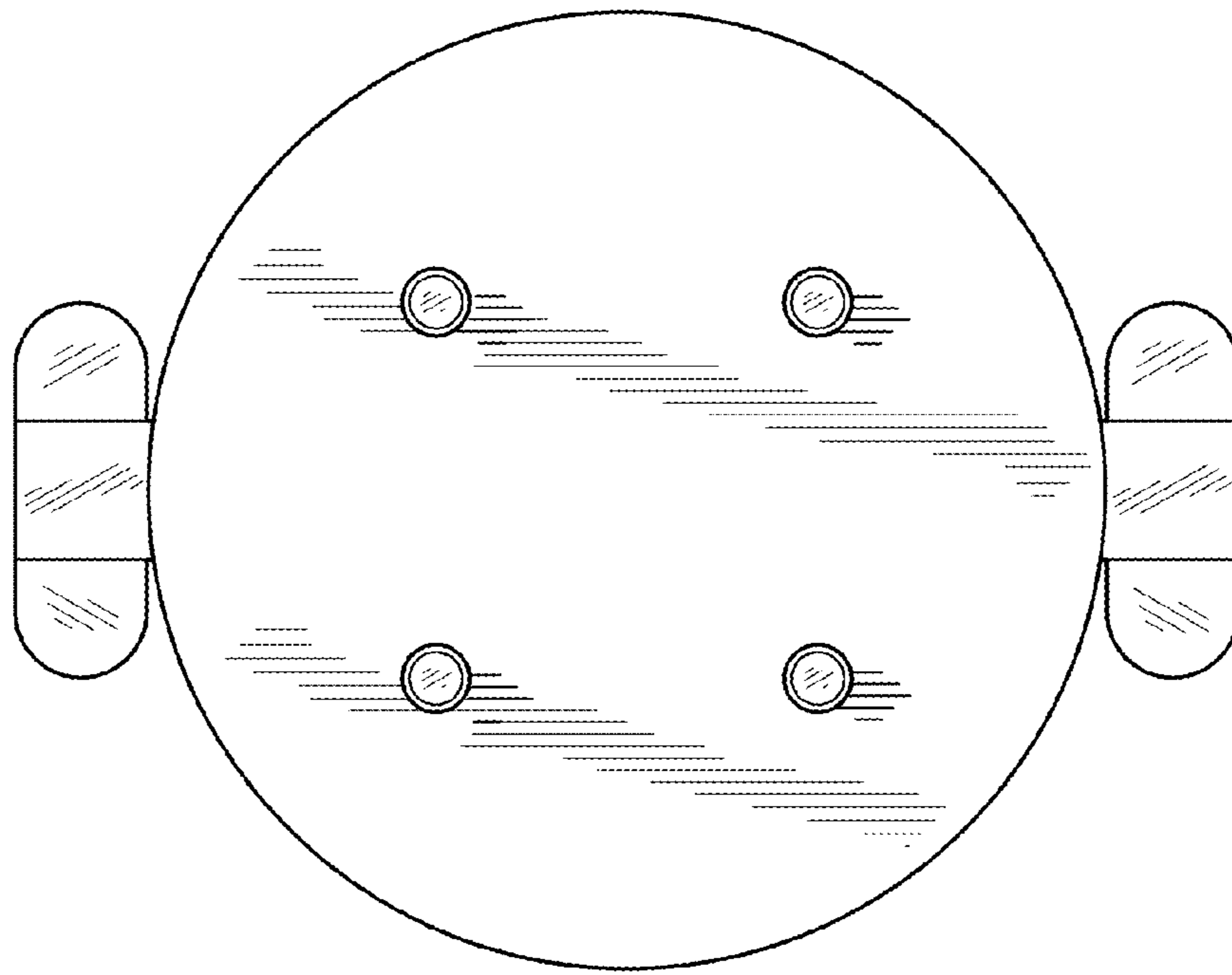


FIG. 7

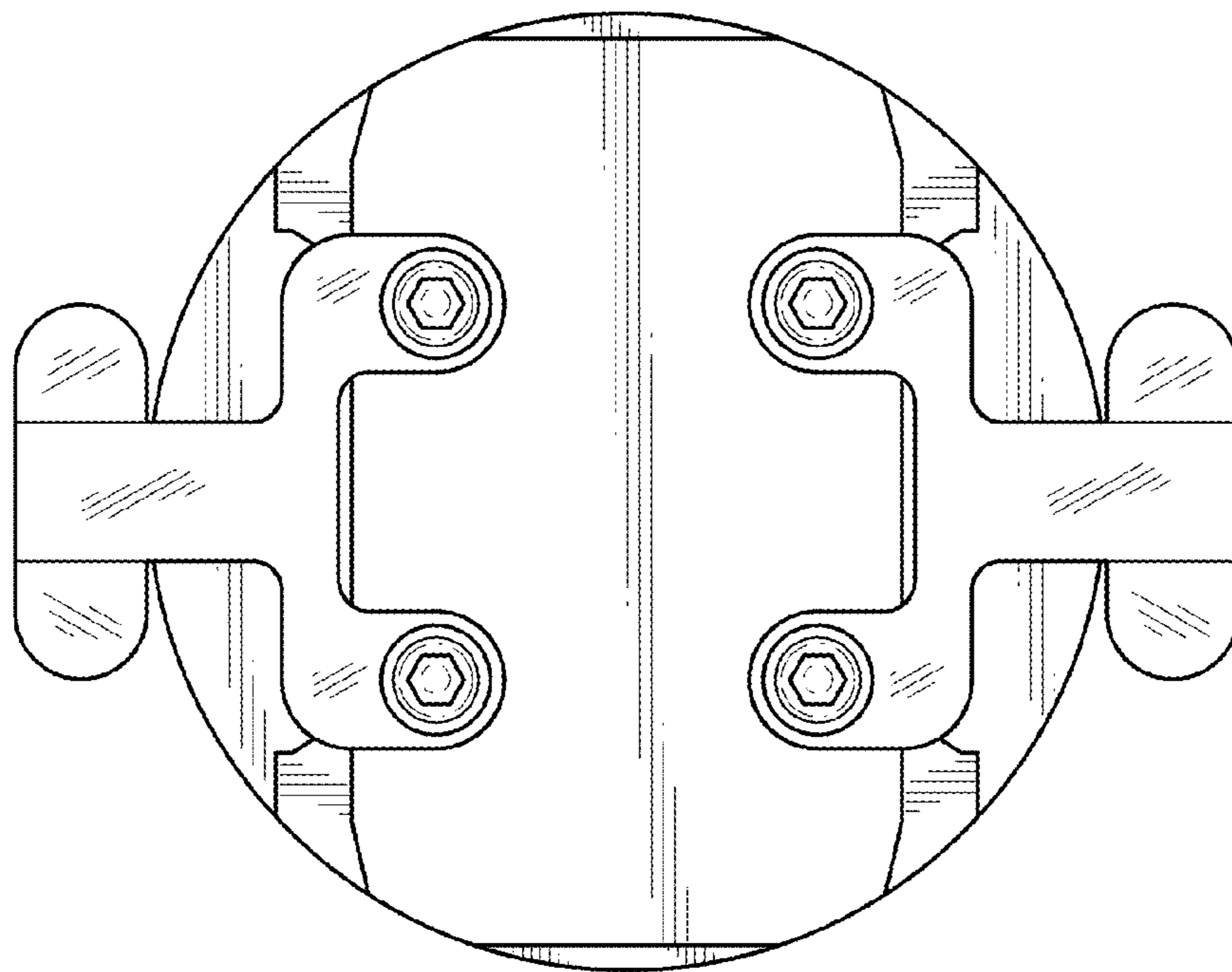


FIG. 8