



US00D752667S

(12) **United States Design Patent**
Zhou et al.

(10) **Patent No.:** **US D752,667 S**

(45) **Date of Patent:** **** Mar. 29, 2016**

(54) **MIXING DEVICE**

(71) Applicants: **Buzhou Zhou**, San Diego, CA (US);
Wenyi Zhong, Yixing (CN); **Boqun Jiang**, Yixing (CN); **Hui Chun John Pun**, San Diego, CA (US); **Joyce Zhang**, San Diego, CA (US); **Dejun Zhu**, Yixing (CN); **Ken Kuang**, San Diego, CA (US)

(72) Inventors: **Buzhou Zhou**, San Diego, CA (US);
Wenyi Zhong, Yixing (CN); **Boqun Jiang**, Yixing (CN); **Hui Chun John Pun**, San Diego, CA (US); **Joyce Zhang**, San Diego, CA (US); **Dejun Zhu**, Yixing (CN); **Ken Kuang**, San Diego, CA (US)

(73) Assignee: **Torrey Hills Technologies, LLC**, San Diego, CA (US)

(**) Term: **14 Years**

(21) Appl. No.: **29/469,691**

(22) Filed: **Oct. 13, 2013**

(51) **LOC (10) Cl.** **15-99**

(52) **U.S. Cl.**
USPC **D15/147**

(58) **Field of Classification Search**
USPC D7/376; D9/436; D15/147
See application file for complete search history.

(56) **References Cited**

U.S. PATENT DOCUMENTS

D213,917 S * 4/1969 Peterson D15/147
D258,213 S * 2/1981 Lydford D15/147
D264,218 S * 5/1982 Neuner et al. D15/147

4,568,194 A * 2/1986 Gargioni 366/213
5,197,802 A * 3/1993 Miller et al. 366/217
D347,645 S * 6/1994 Miller D15/147
5,383,163 A * 1/1995 Brunn 366/217
D374,677 S * 10/1996 Hodson et al. D15/147
D393,476 S * 4/1998 Lodige D15/147
5,906,433 A * 5/1999 Mazzalveri 366/209
6,290,386 B1 * 9/2001 Baumgartl et al. 366/160.1
D472,908 S * 4/2003 Schaer D15/147
6,850,020 B1 * 2/2005 Midas et al. 318/286
7,165,879 B2 * 1/2007 Midas et al. 366/209
D583,398 S * 12/2008 Seiler D15/147
D583,619 S * 12/2008 Basten et al. D7/376
D598,479 S * 8/2009 Seiler D15/147
D662,117 S * 6/2012 Dorbath D15/147
D679,934 S * 4/2013 Majdecki, Jr. D7/326
D695,324 S * 12/2013 Ballweg D15/122
8,678,639 B2 * 3/2014 Tolle et al. 366/200

* cited by examiner

Primary Examiner — Patricia Palasik

(57) **CLAIM**

The ornamental design for a mixing device, as shown and described.

DESCRIPTION

FIG. 1 is a front perspective view of a mixing device in accordance with the present invention;
FIG. 2 is a front view thereof;
FIG. 3 is a rear view thereof;
FIG. 4 is a right side view thereof;
FIG. 5 is a left side view thereof; and,
FIG. 6 is an enlarged detailed partial view of the mixing device as shown in circle 6 in FIG. 1.
The broken lines in the drawings depict unclaimed environmental subject matter.

1 Claim, 5 Drawing Sheets

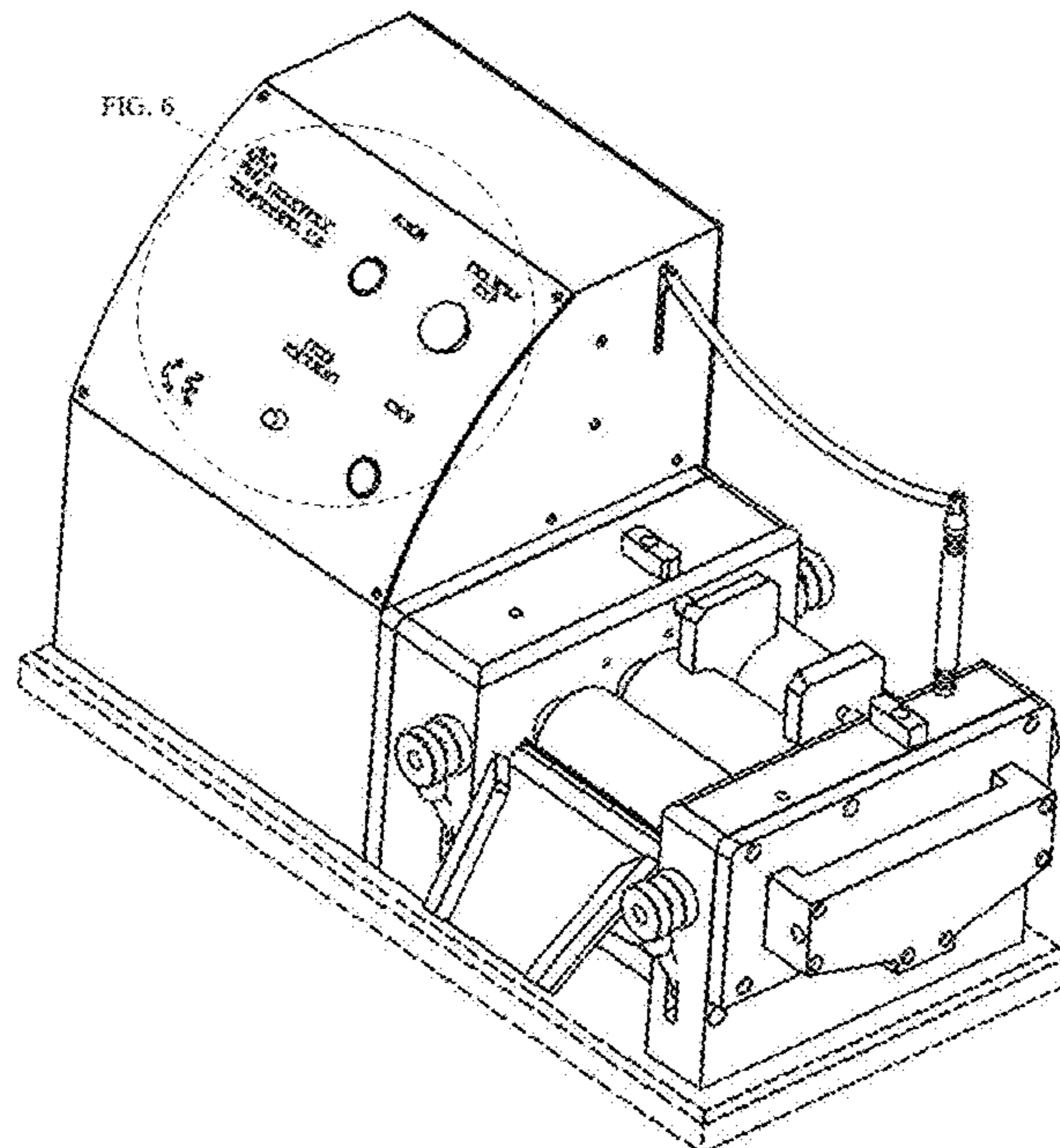


FIG.1

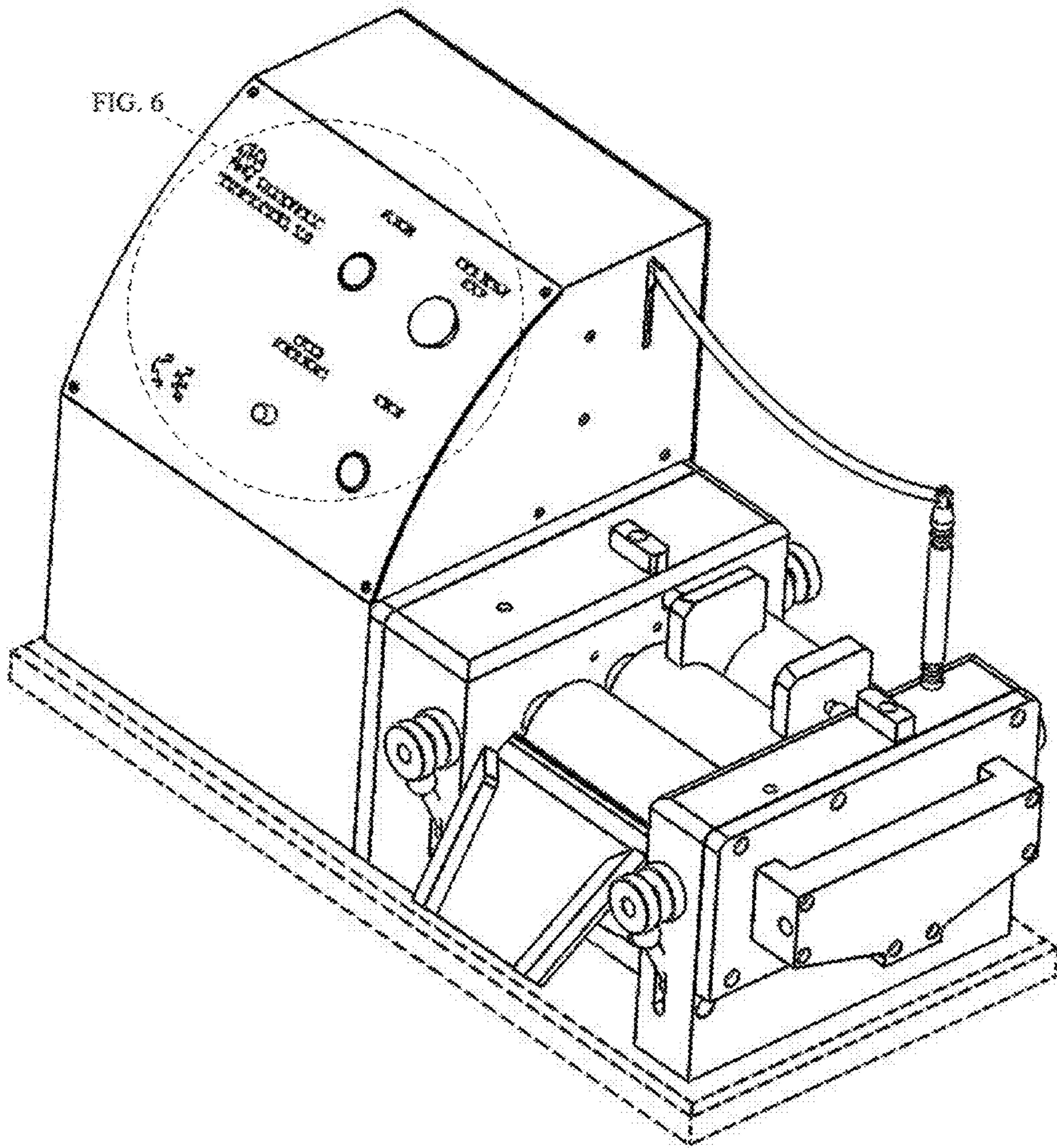


FIG.2

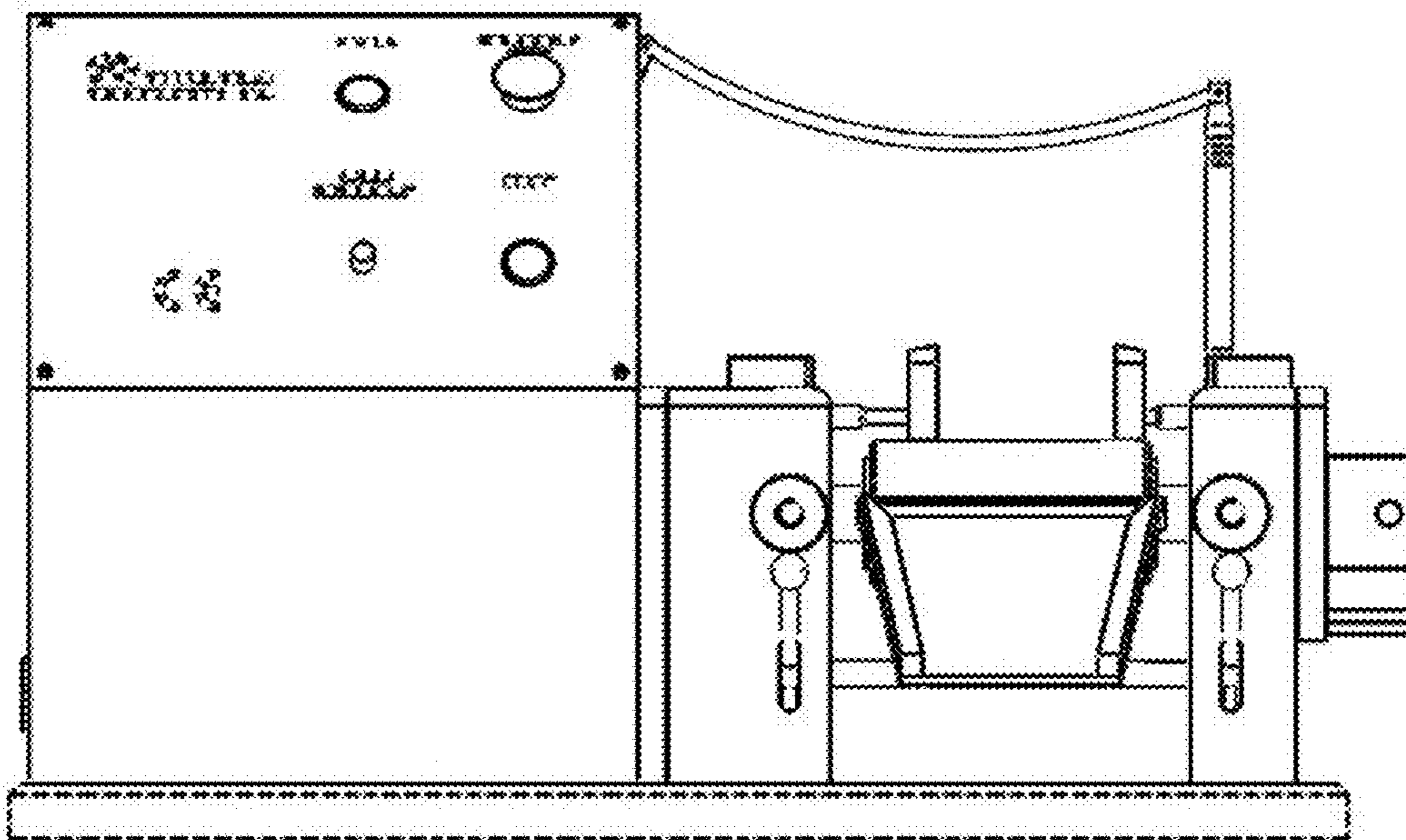


FIG. 3

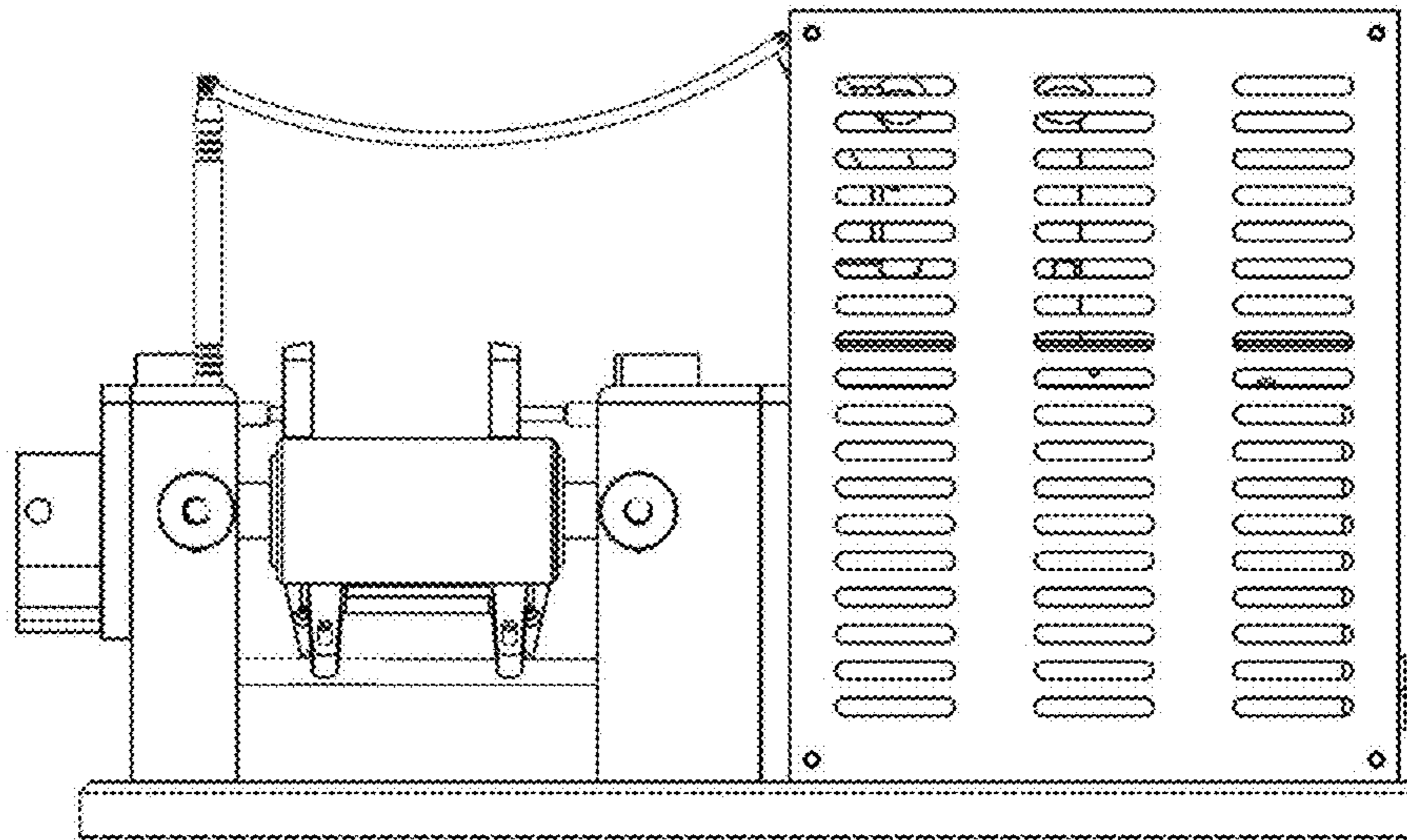


FIG. 4

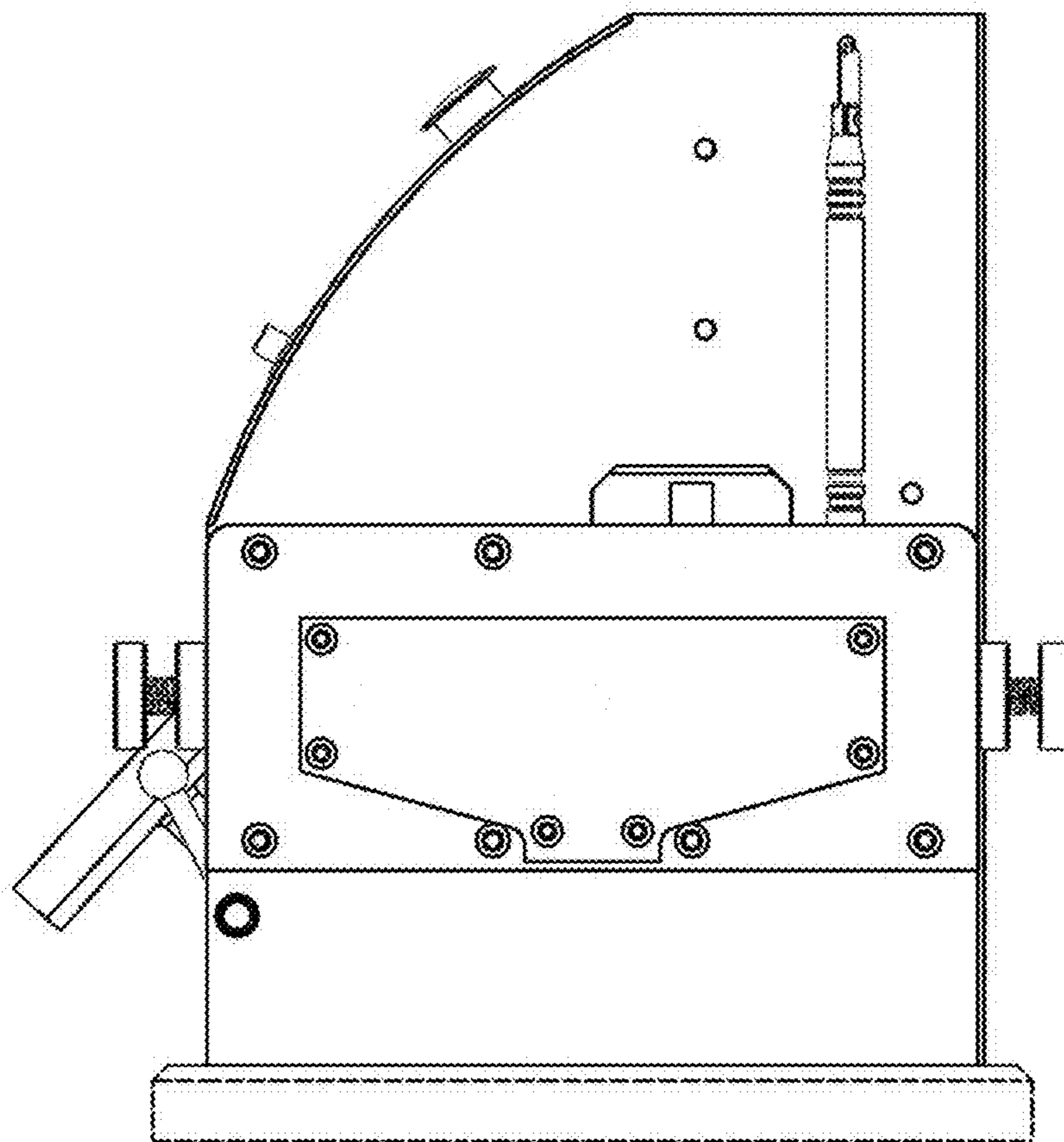


FIG. 5

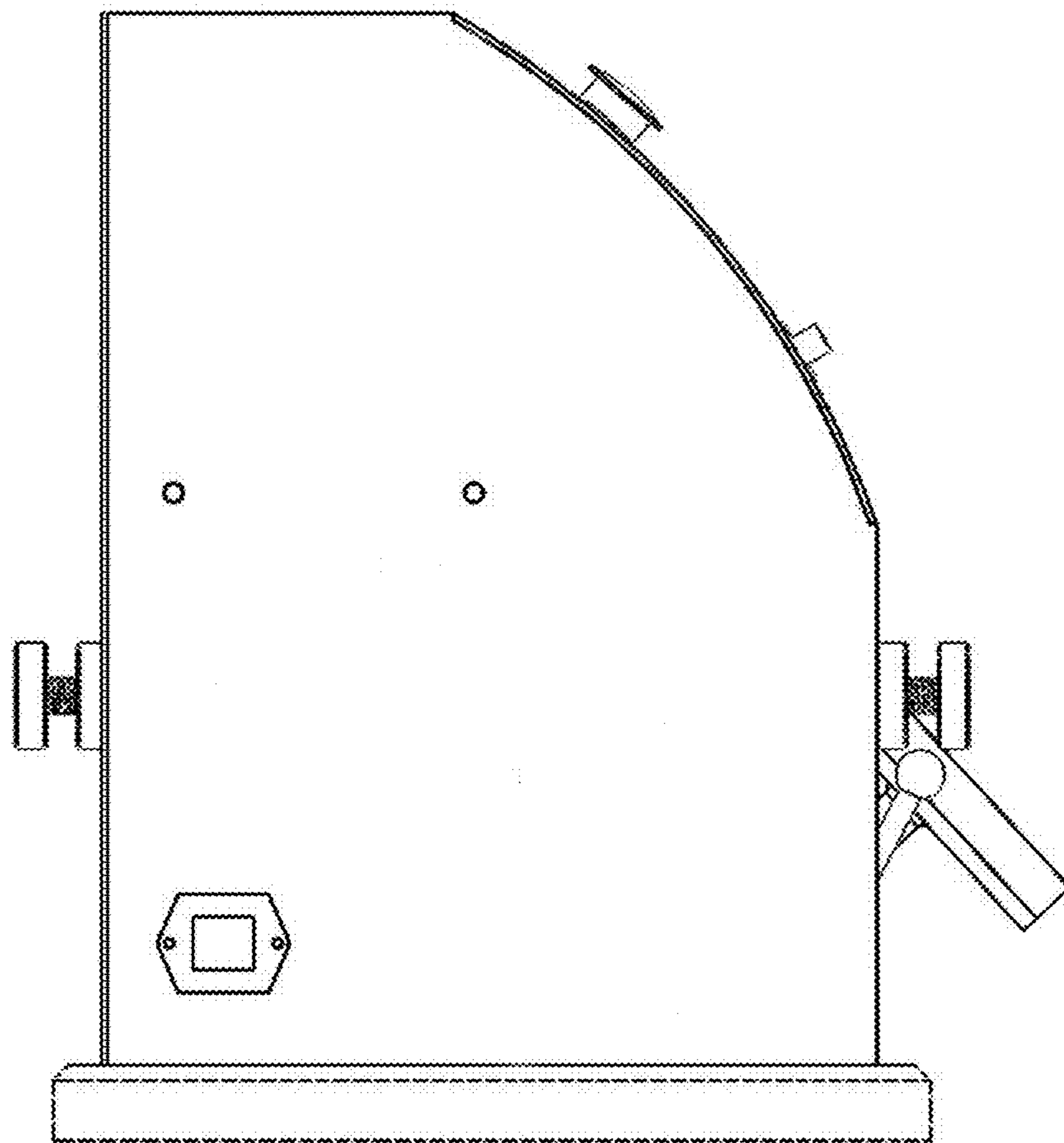


FIG. 6

