



US00D752666S

(12) **United States Design Patent**  
**Ge et al.**

(10) **Patent No.:** **US D752,666 S**  
(45) **Date of Patent:** **\*\* Mar. 29, 2016**

(54) **WIRE FEEDER**

(71) Applicant: **ILLINOIS TOOL WORKS**, Glenview, IL (US)

(72) Inventors: **Bin Ge**, Beijing (CN); **Yanan Chen**, Beijing (CN); **Baoliang Zhang**, Beijing (CN)

(73) Assignee: **ILLINOIS TOOL WORKS INC.**, Glenview, IL (US)

(\*\*) Term: **14 Years**

(21) Appl. No.: **29/519,216**

(22) Filed: **Mar. 3, 2015**

(30) **Foreign Application Priority Data**

Sep. 4, 2014 (CN) ..... 2014 3 0340851

(51) **LOC (10) Cl.** ..... **15-09**

(52) **U.S. Cl.**  
USPC ..... **D15/144**

(58) **Field of Classification Search**  
USPC ..... D8/29.1, 30; D13/123, 133; D15/144, D15/144.1, 144.2  
See application file for complete search history.

(56) **References Cited**

U.S. PATENT DOCUMENTS

5,734,148 A \* 3/1998 Latvis ..... B23K 9/32 219/133  
D433,040 S \* 10/2000 Krieck ..... D15/144.2  
D434,428 S \* 11/2000 Krieck ..... D15/144.2  
6,479,795 B1 \* 11/2002 Albrecht ..... B23K 9/124 219/136  
6,855,914 B1 \* 2/2005 Kaufman ..... B23K 9/133 219/130.5

(Continued)

Primary Examiner — Patricia Palasik

(74) Attorney, Agent, or Firm — Fletcher Yoder P.C.

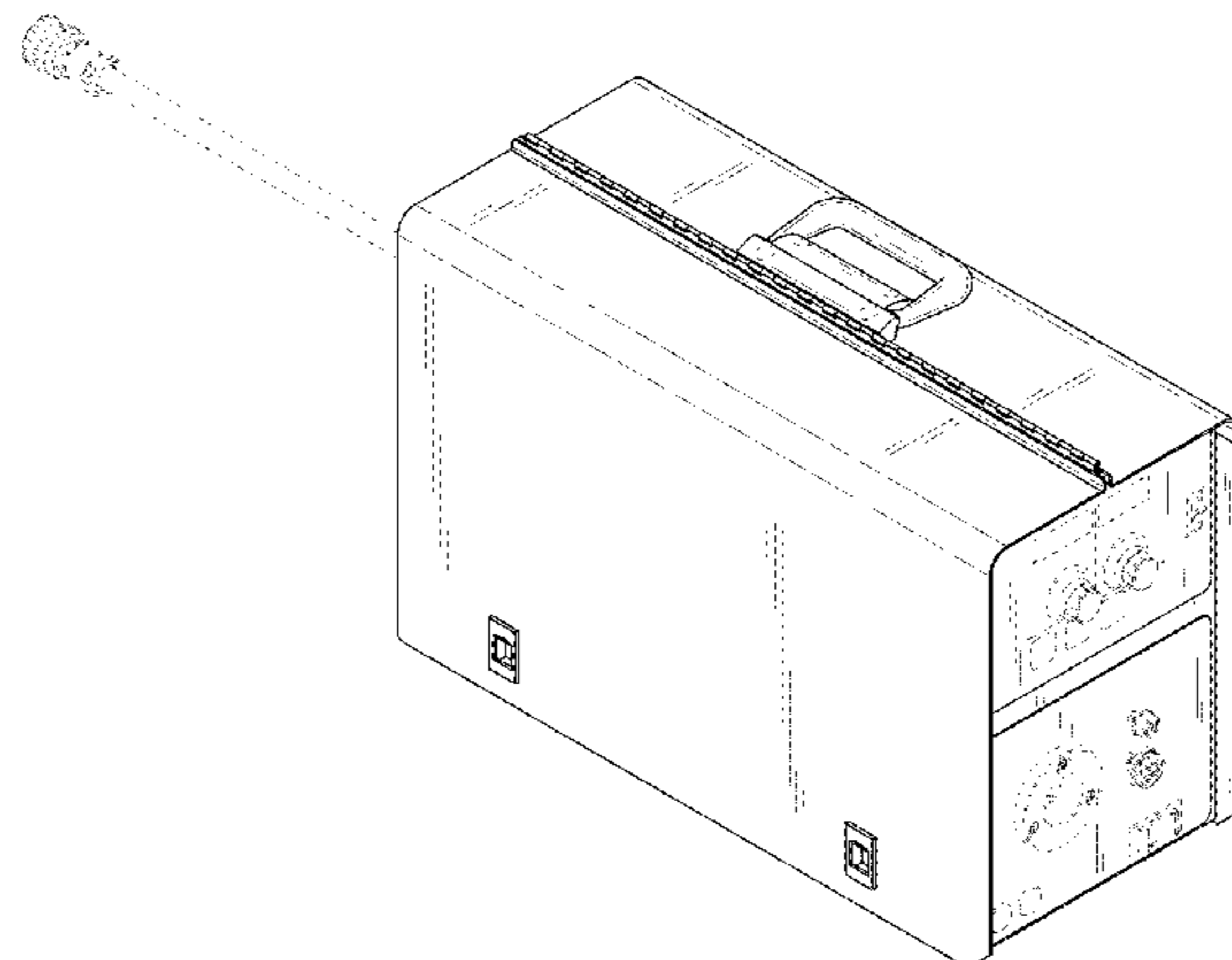
(57) **CLAIM**

The ornamental design for a wire feeder, as shown and described.

**DESCRIPTION**

FIG. 1 is a front perspective view of the design for a wire feeder;  
FIG. 2 is another front perspective view of the design for the wire feeder of FIG. 1;  
FIG. 3 is a rear perspective view of the design for the wire feeder of FIG. 1;  
FIG. 4 is another rear perspective view of the design for the wire feeder of FIG. 1;  
FIG. 5 is a front view of the design for the wire feeder of FIG. 1;  
FIG. 6 is a rear view of the design for the wire feeder of FIG. 1;  
FIG. 7 is a left side view of the design for the wire feeder of FIG. 1;  
FIG. 8 is a right side view of the design for the wire feeder of FIG. 1;  
FIG. 9 is a top view of the design for the wire feeder of FIG. 1;  
FIG. 10 is a bottom view of the design for the wire feeder of FIG. 1;  
FIG. 11 is a front perspective view of the design for the wire feeder with the handle in an upright position;  
FIG. 12 is a rear perspective view of the design for the wire feeder of FIG. 11;  
FIG. 13 is a front view of the design for the wire feeder of FIG. 11;  
FIG. 14 is a rear view of the design for the wire feeder of FIG. 11;  
FIG. 15 is a left side view of the design for the wire feeder of FIG. 11;  
FIG. 16 is a right side view of the design for the wire feeder of FIG. 11;  
FIG. 17 is a top view of the design for the wire feeder of FIG. 11; and,  
FIG. 18 is a bottom view of the design for the wire feeder of FIG. 11.  
In these drawings, the solid lines illustrate the claimed ornamental design, whereas the broken lines illustrate environmental features that form no part of the claimed ornamental design.

**1 Claim, 16 Drawing Sheets**



(56)

**References Cited**

U.S. PATENT DOCUMENTS

7,034,250 B2 *	4/2006	Kensrue .....	B23K 9/1333 219/137.7	8,841,583 B2 *	9/2014	Albrecht .....	B23K 9/1006 219/130.1
D569,884 S *	5/2008	Shu .....	D15/144	8,969,762 B2 *	3/2015	Beeson .....	B23K 9/1006 219/130.1
7,411,154 B2 *	8/2008	Fosbinder .....	B23K 9/1006 219/130.1	D727,986 S *	4/2015	Matiash .....	D15/144
7,449,660 B2 *	11/2008	Albrecht .....	B23K 9/133 219/137.2	2006/0027547 A1 *	2/2006	Silvestro .....	B23K 9/323 219/133
7,465,901 B2 *	12/2008	Yunk .....	B23K 9/32 219/130.1	2008/0156783 A1 *	7/2008	Vanden Heuvel .....	B23K 9/125 219/137.2
8,338,752 B2 *	12/2012	Enyedy .....	B23K 9/133 219/137 PS	2009/0166345 A1 *	7/2009	Enyedy .....	B23K 9/133 219/137.2
				2010/0051595 A1 *	3/2010	Diedrick .....	B23K 9/124 219/137 R

\* cited by examiner

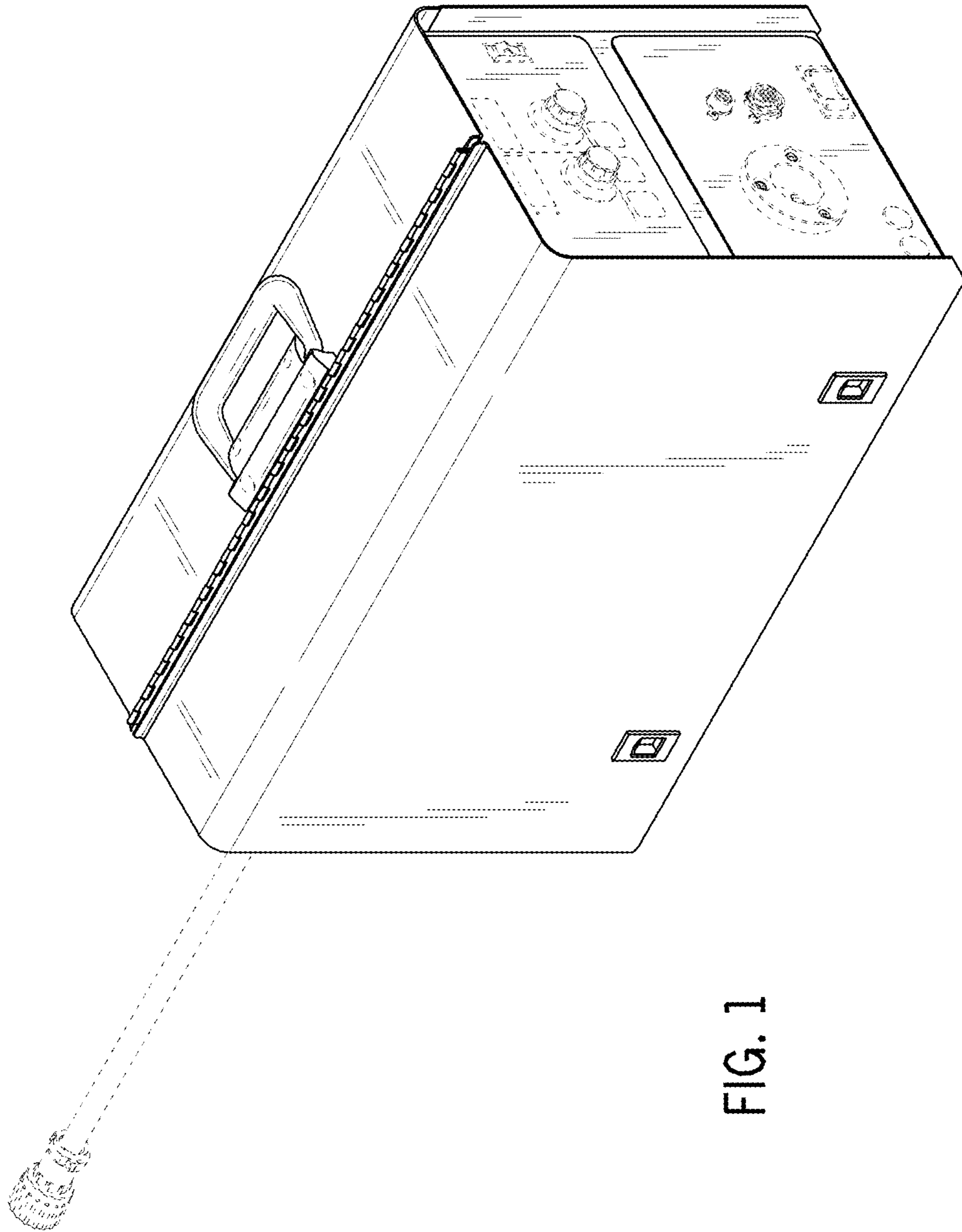


FIG. 1

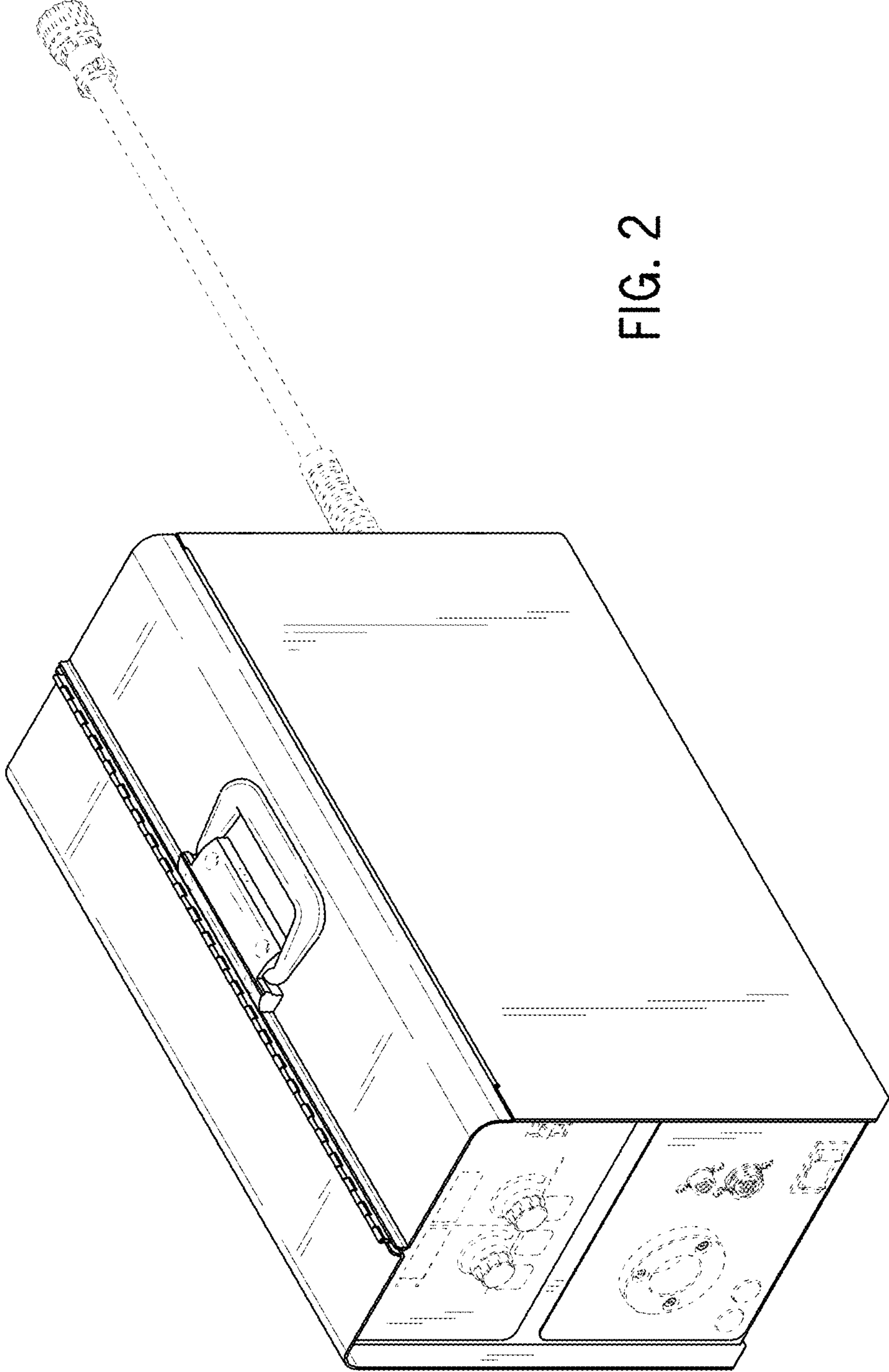


FIG. 2

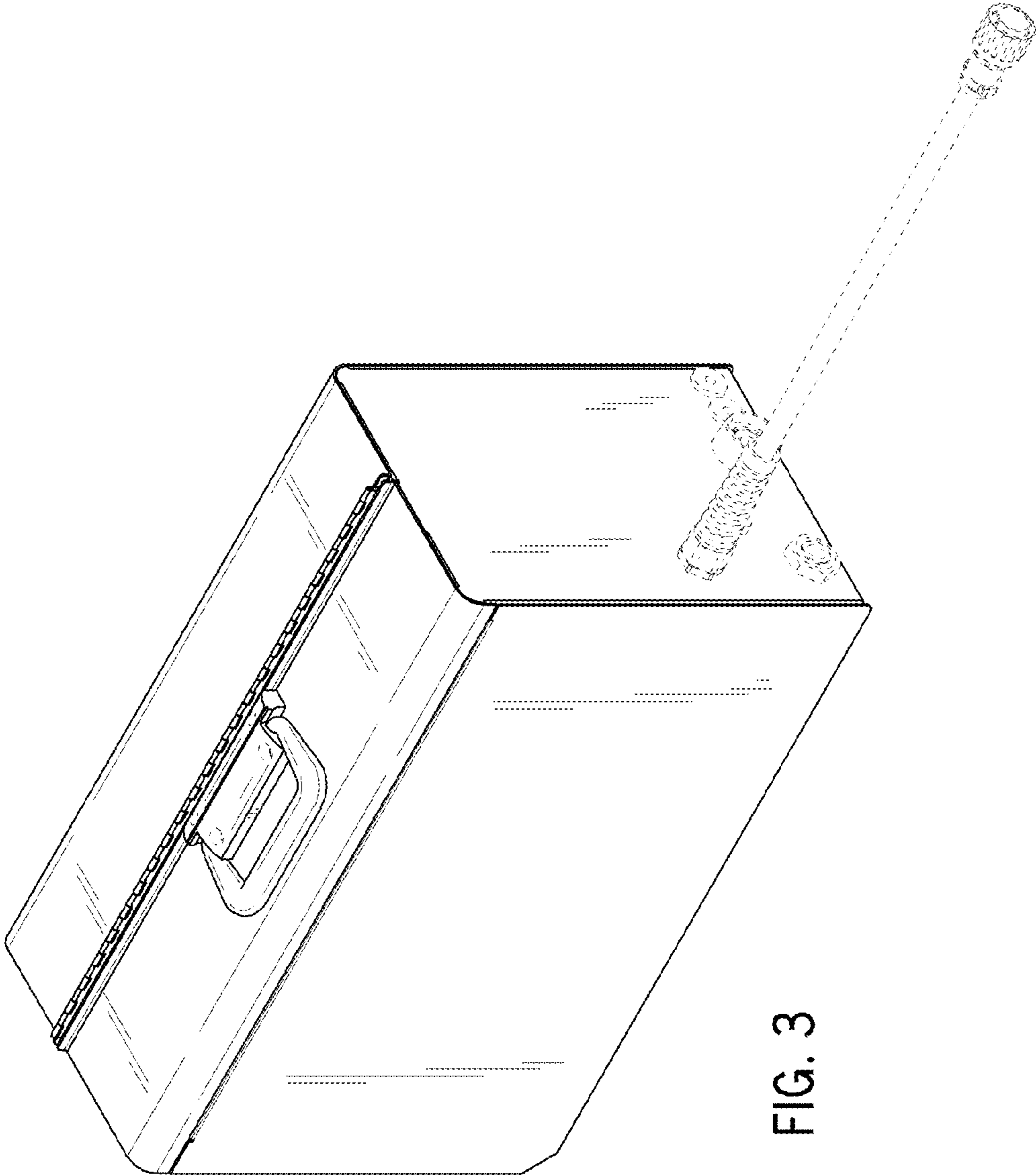


FIG. 3



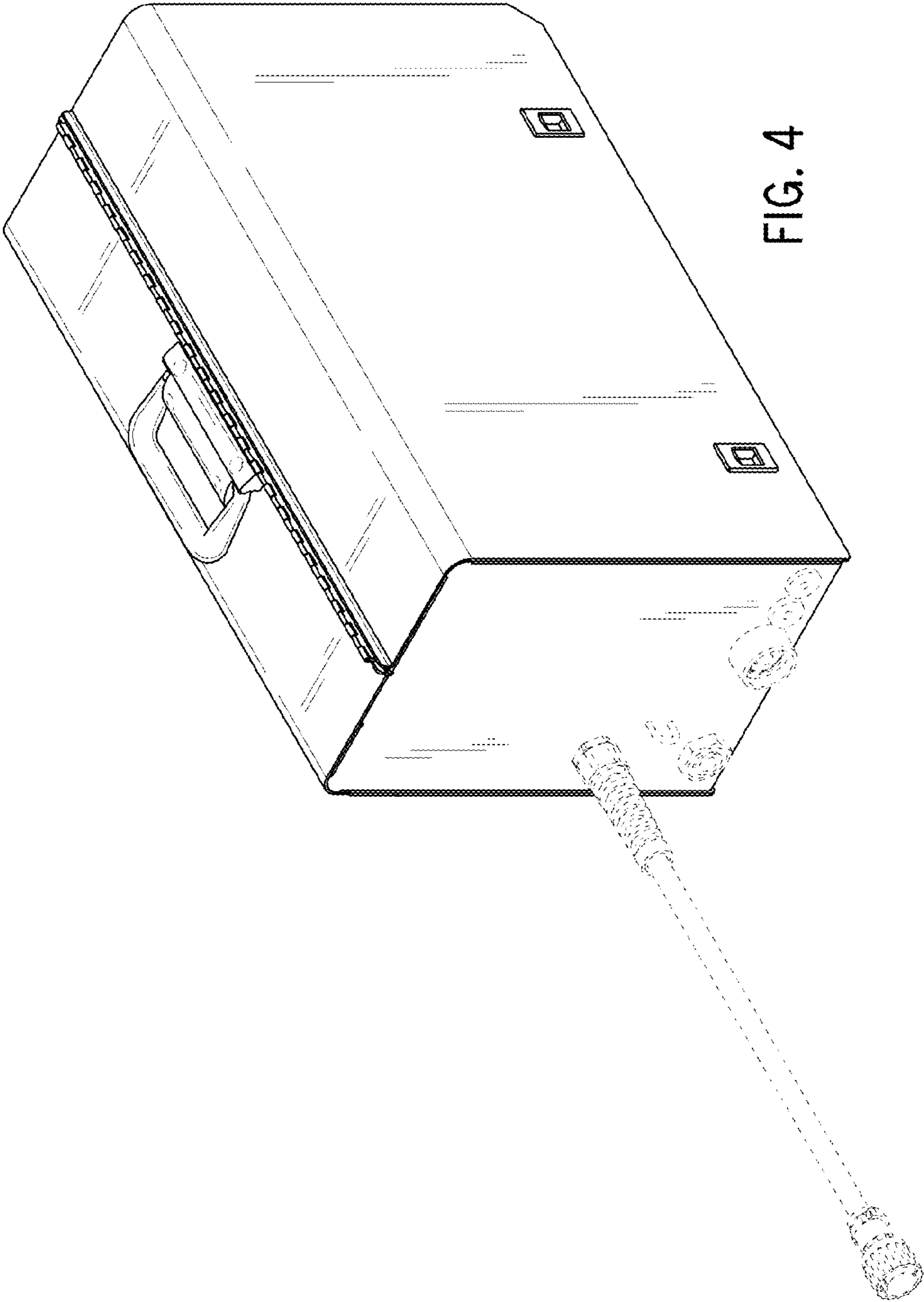


FIG. 4

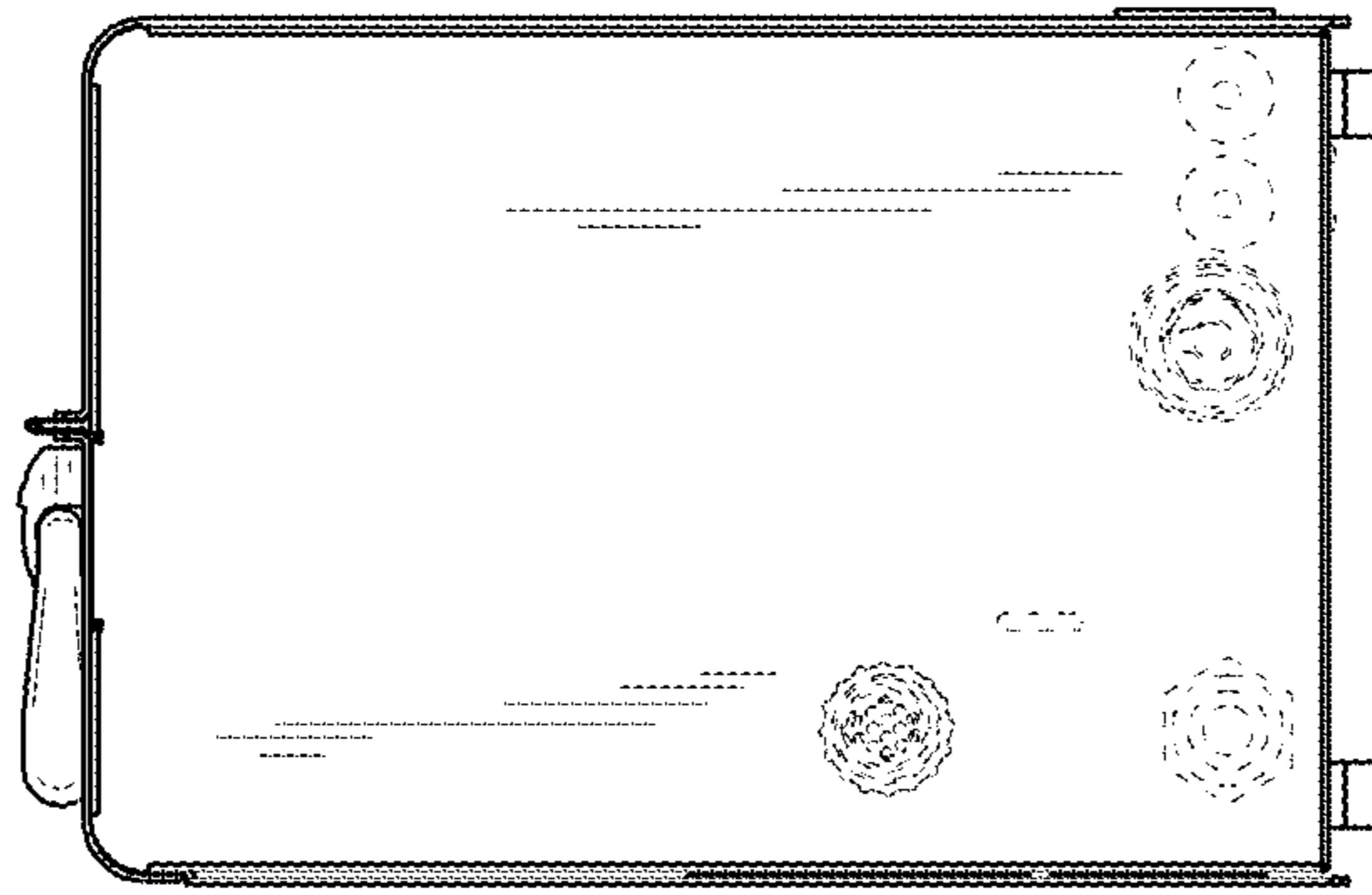


FIG. 6

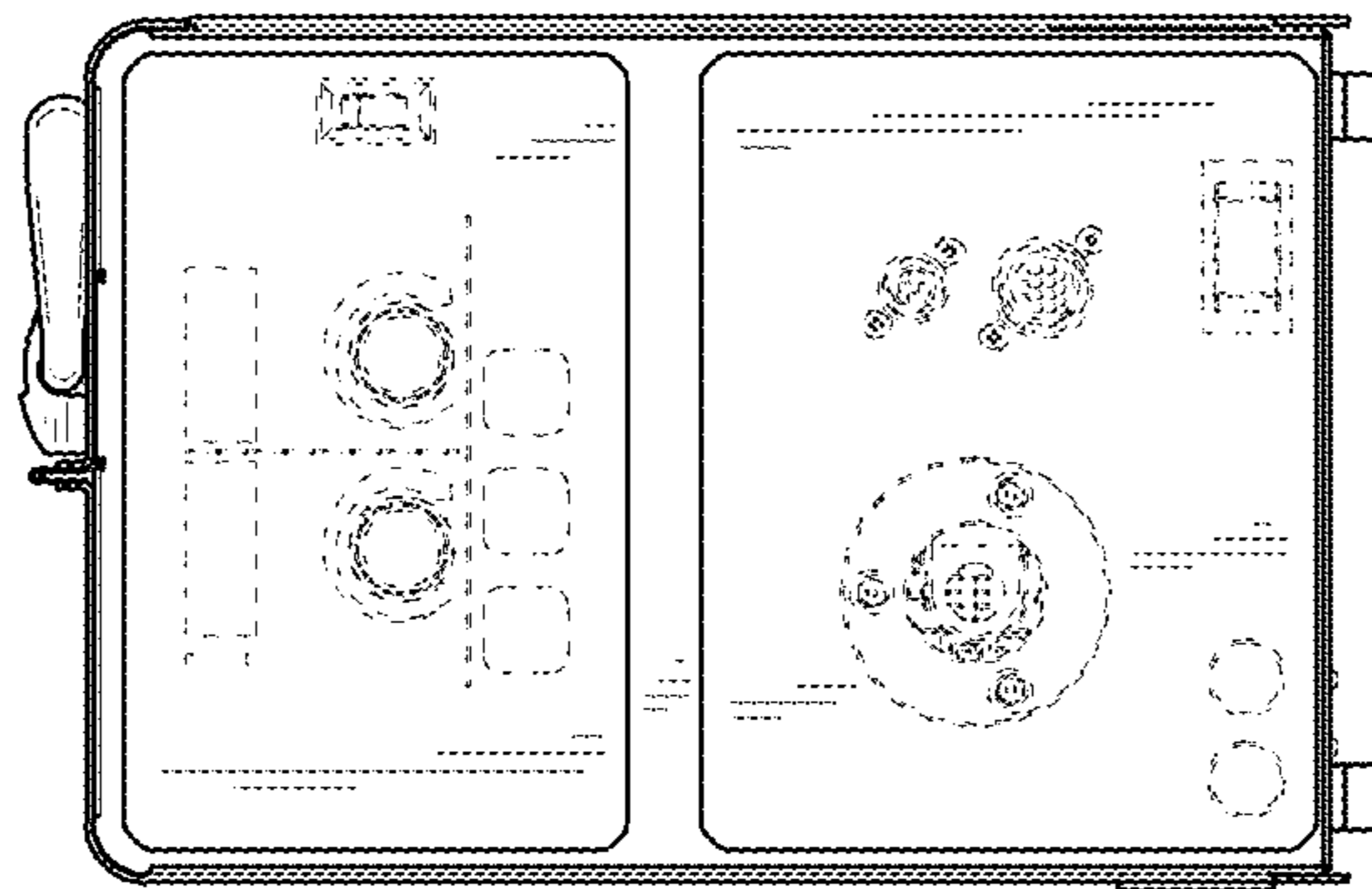


FIG. 5

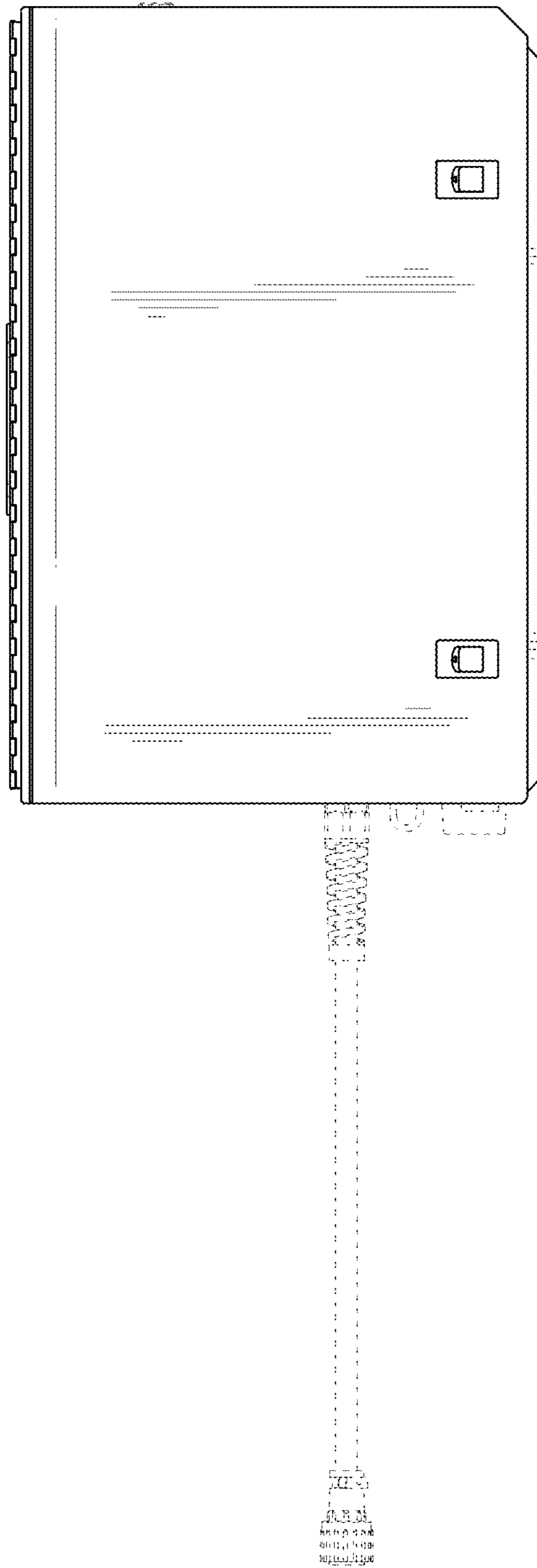


FIG. 7



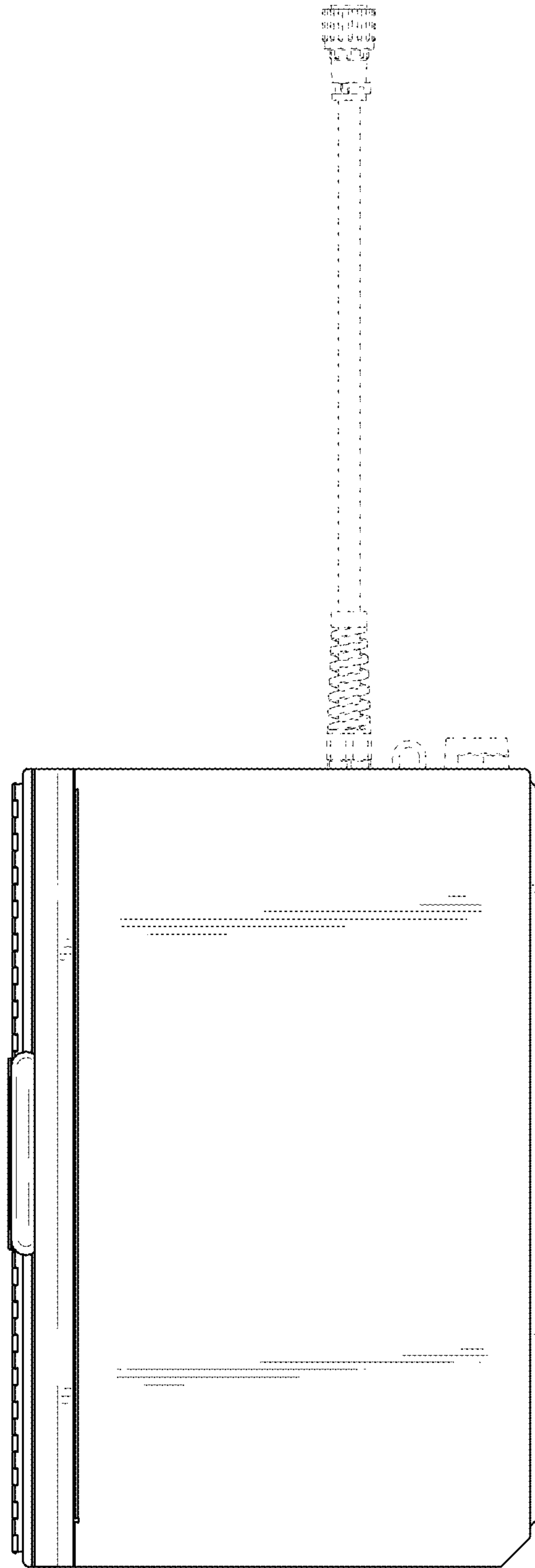


FIG. 8

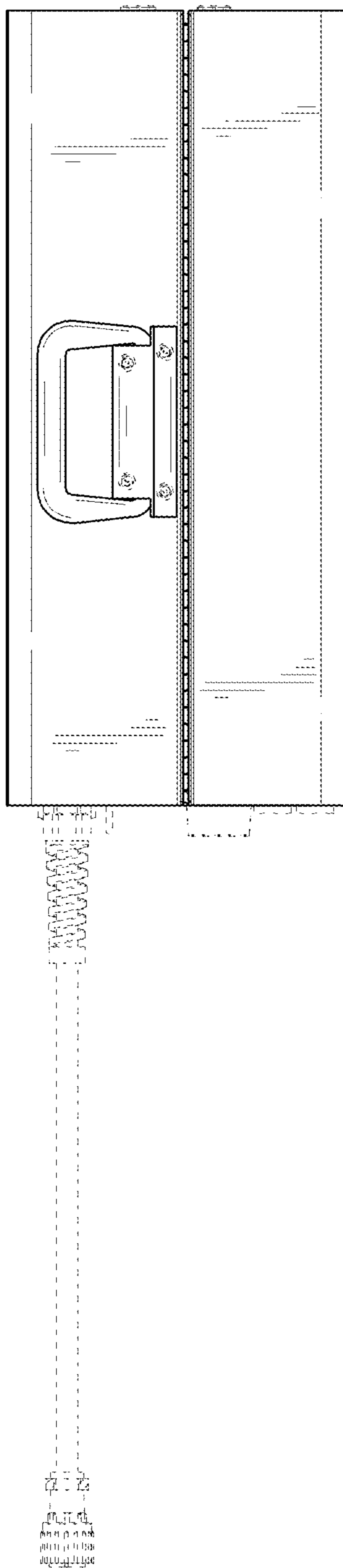


FIG. 9

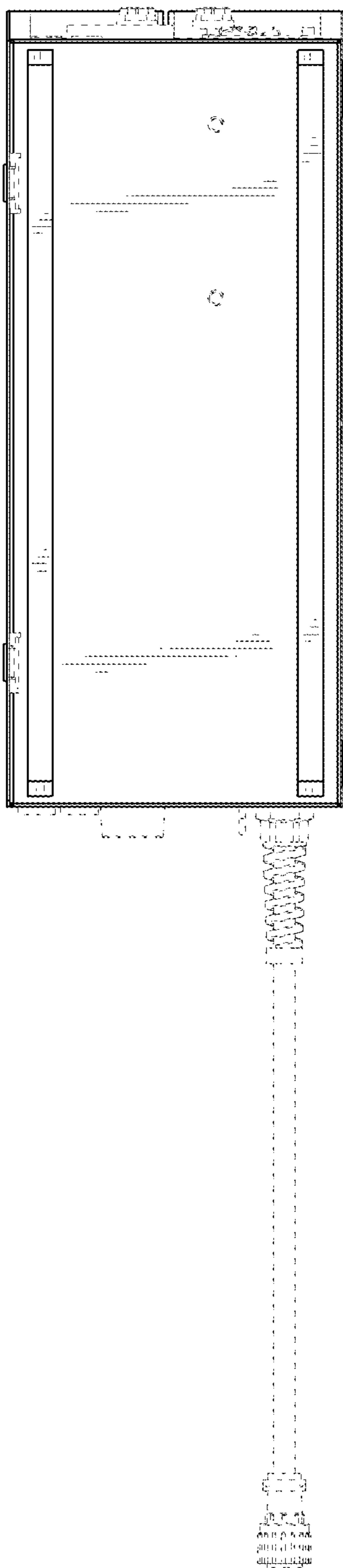


FIG. 10

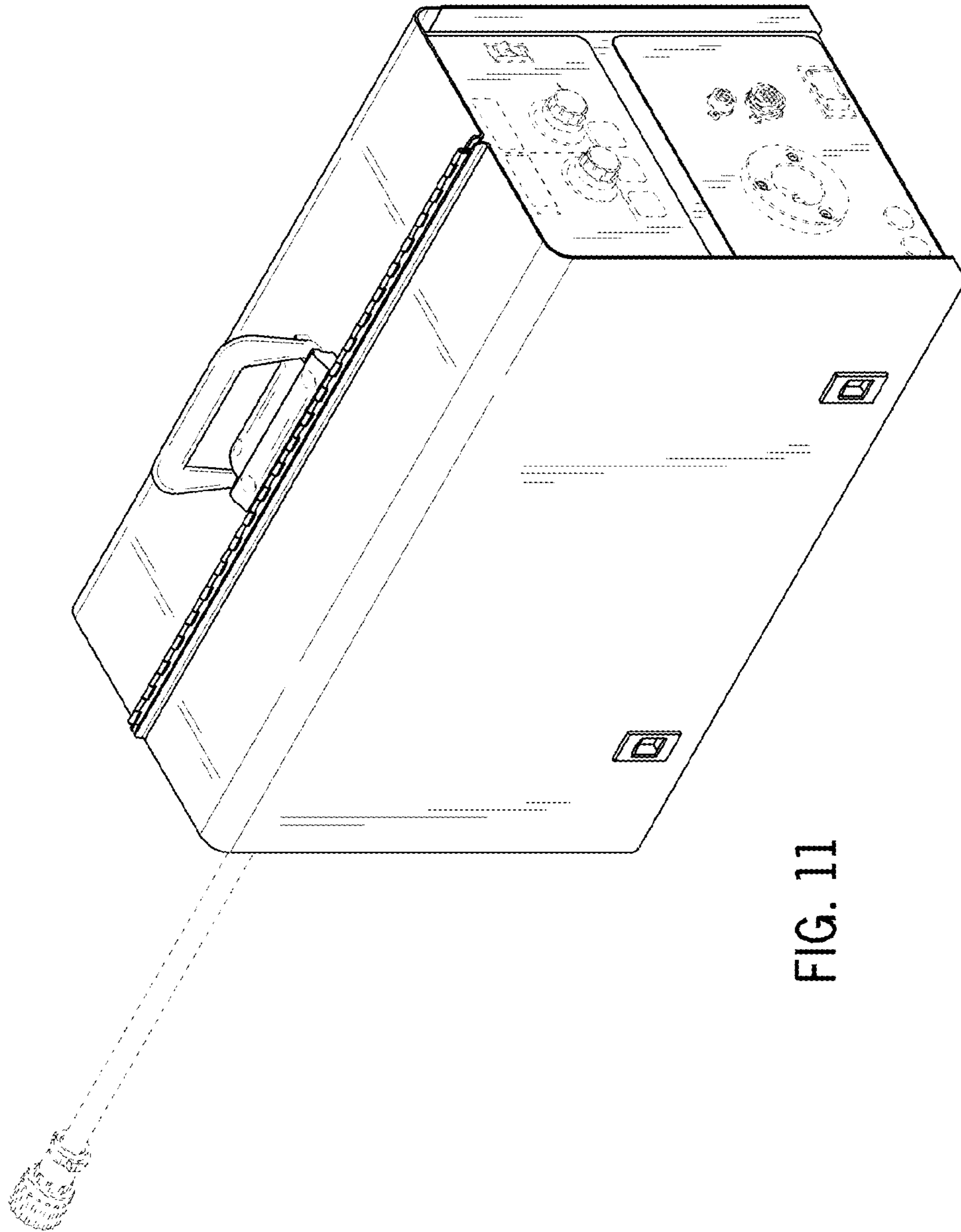
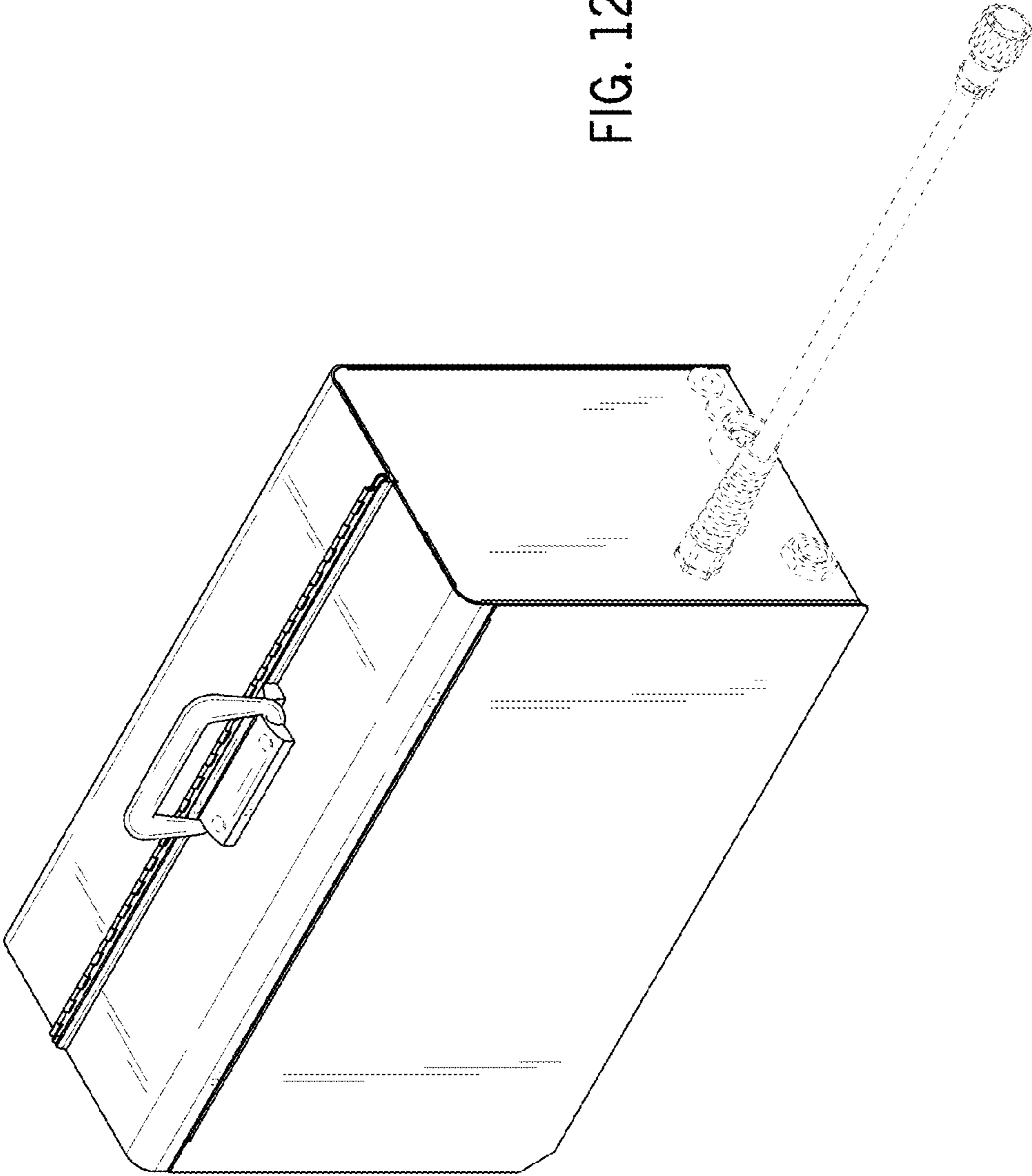


FIG. 11

FIG. 12



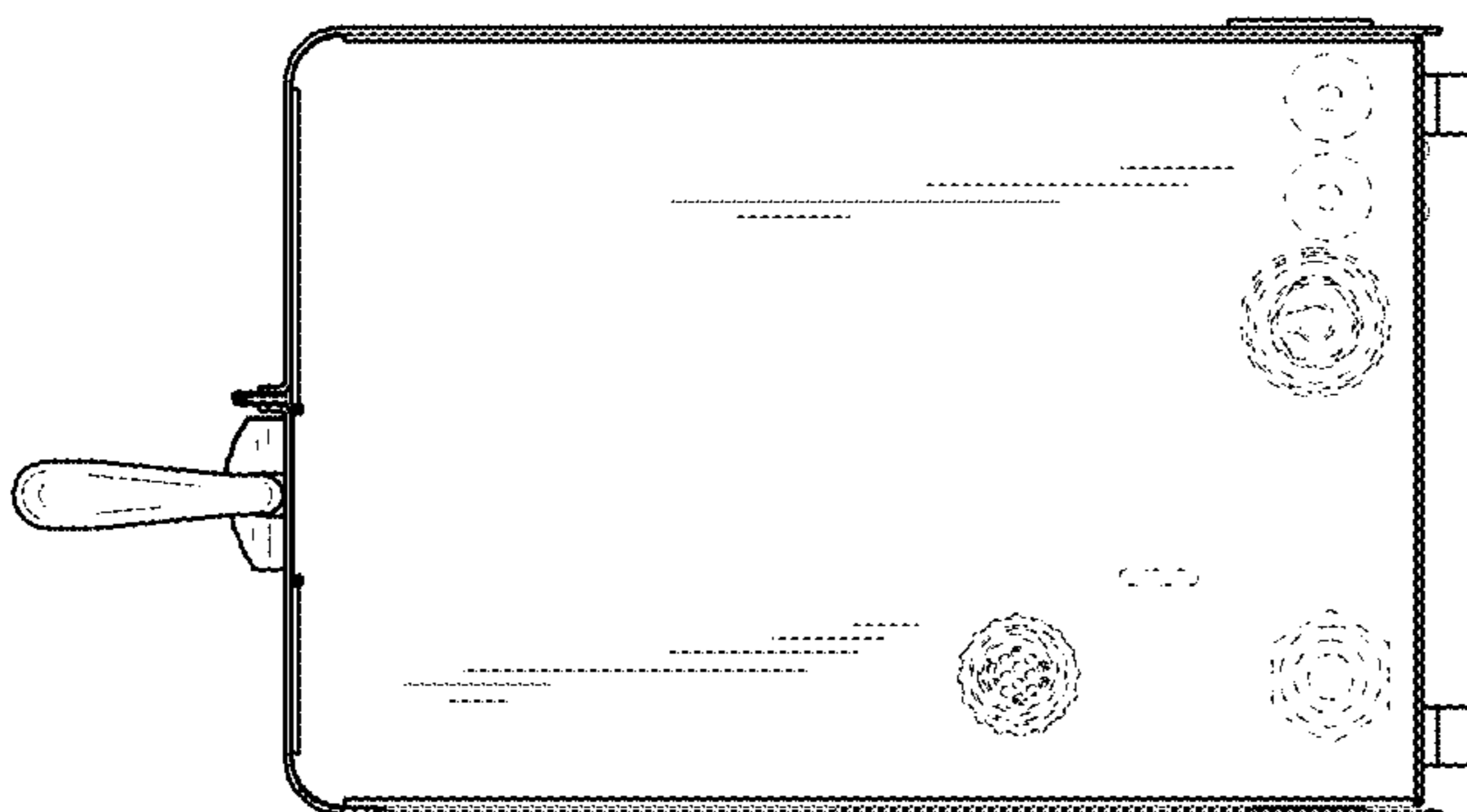


FIG. 14

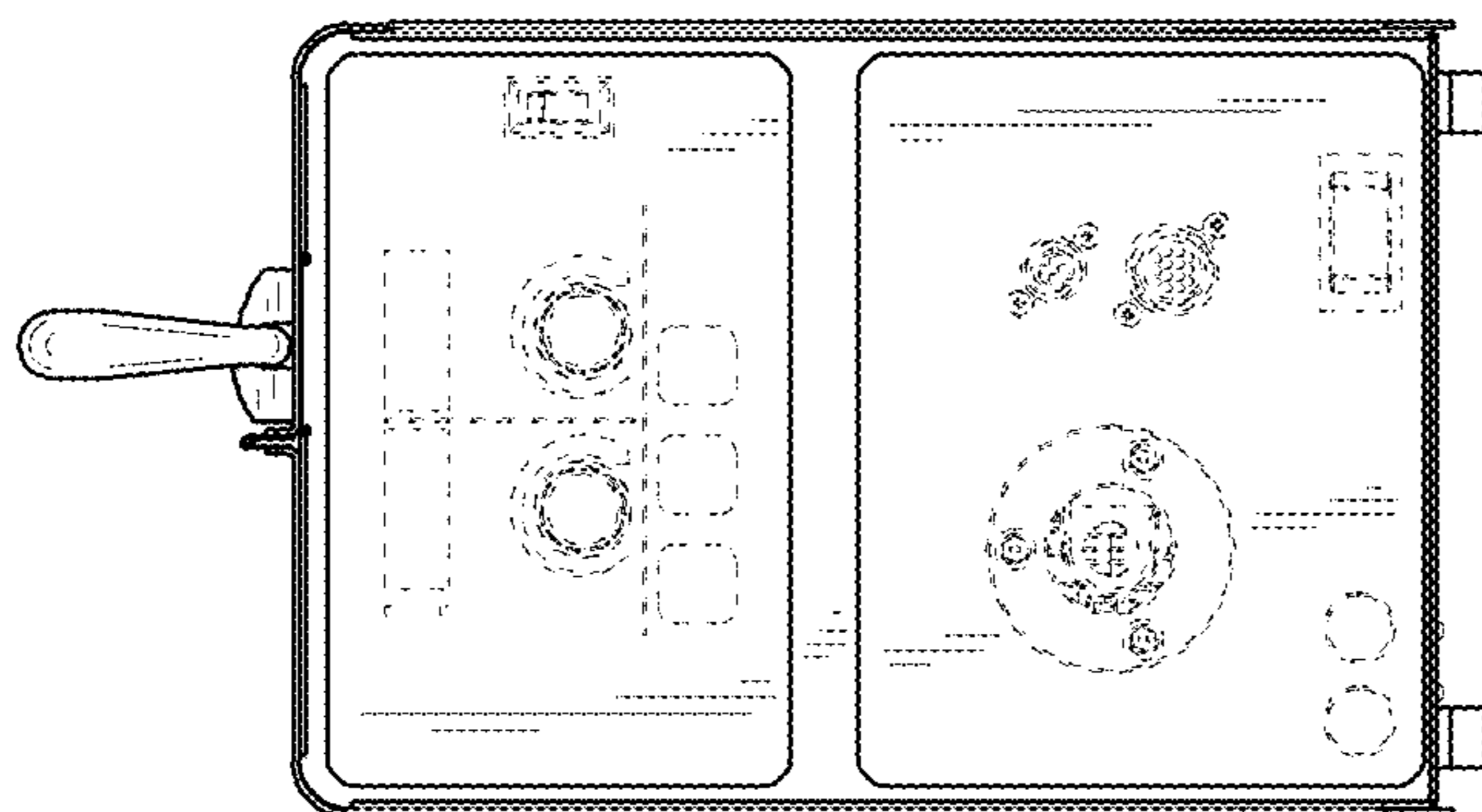


FIG. 13



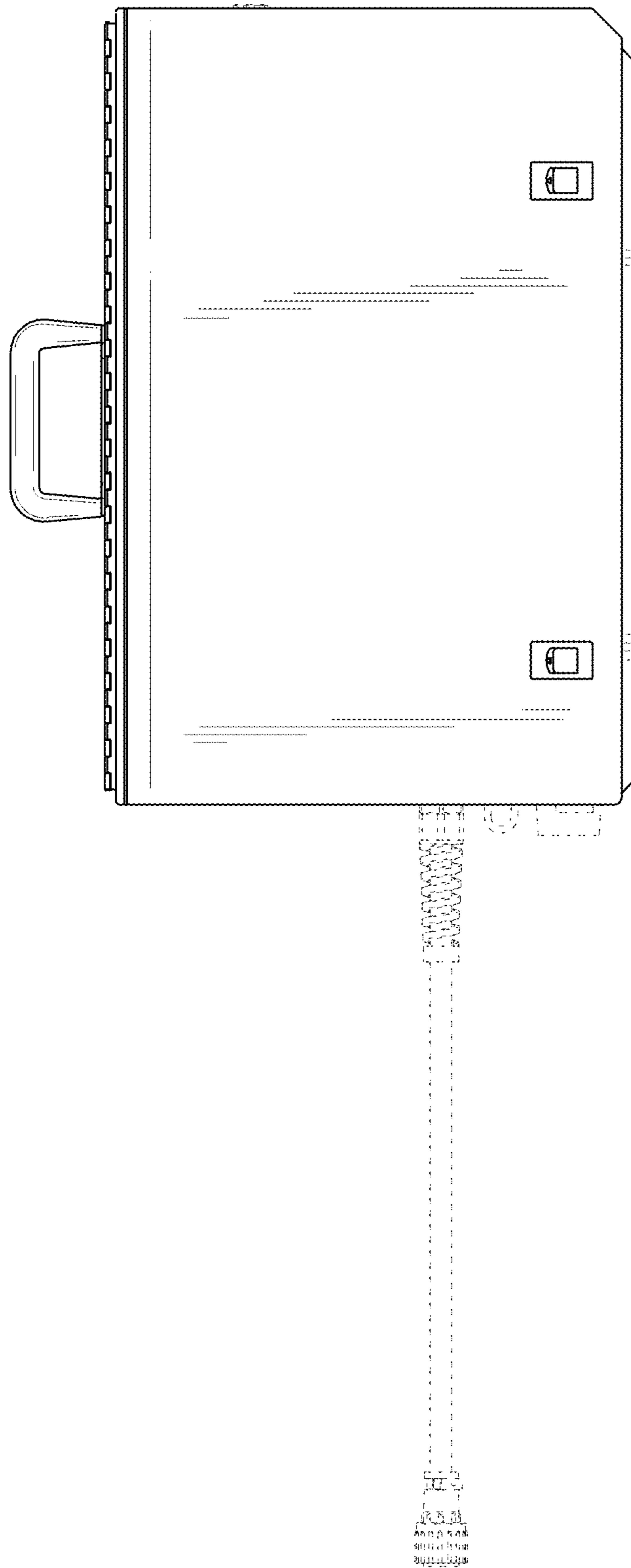


FIG. 15

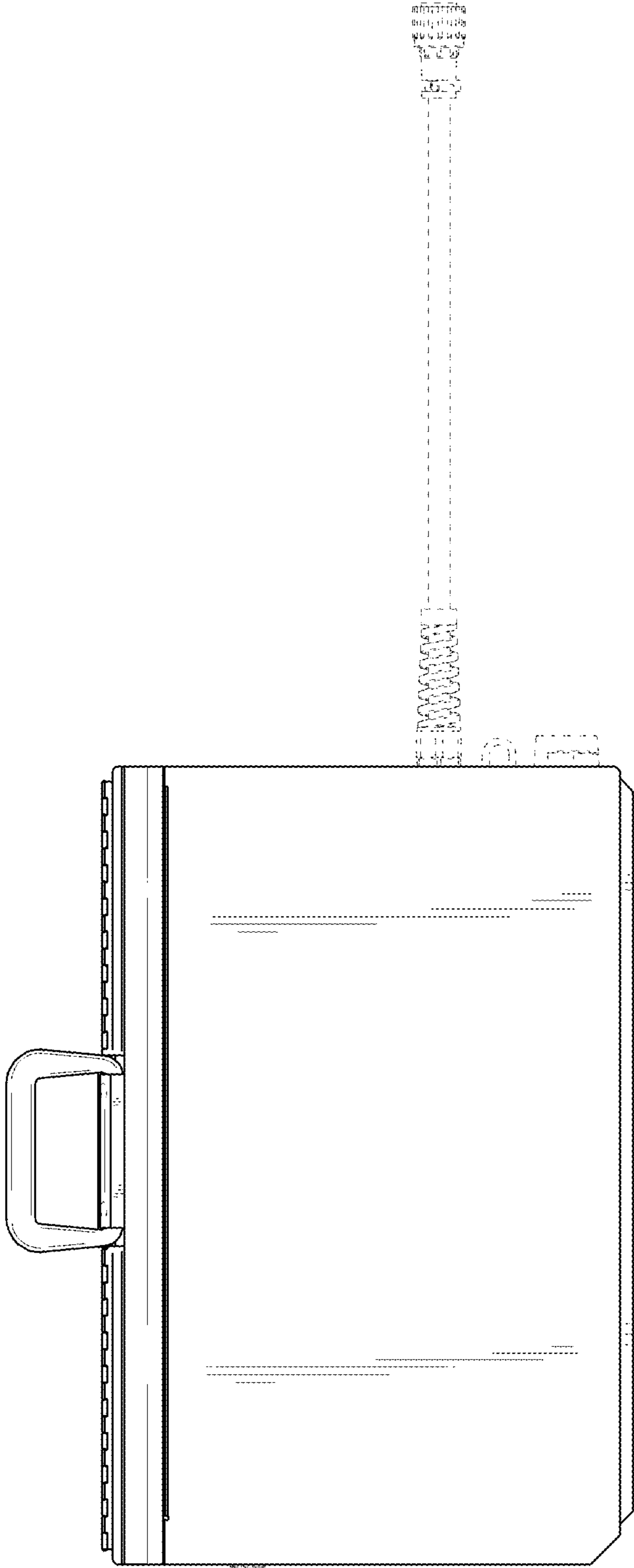


FIG. 16

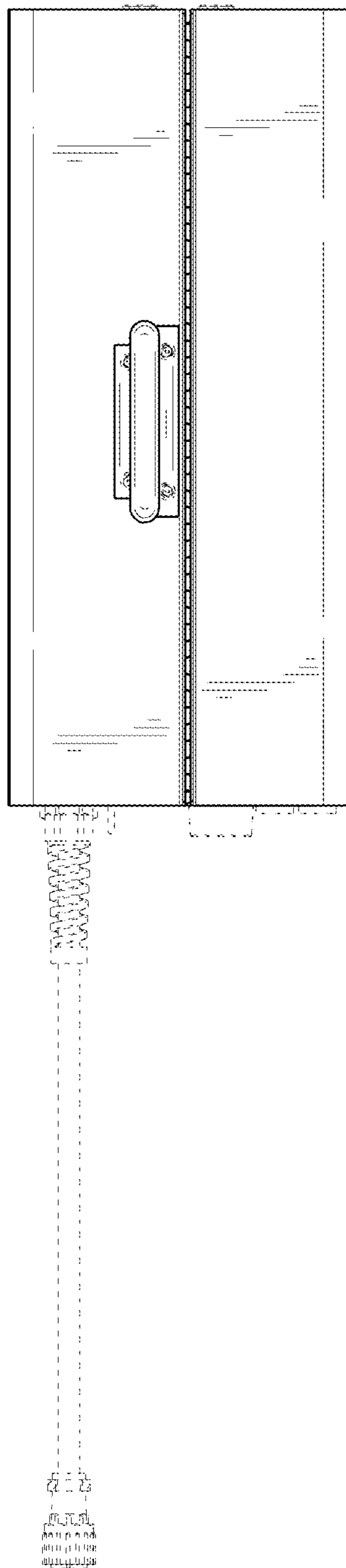


FIG. 17

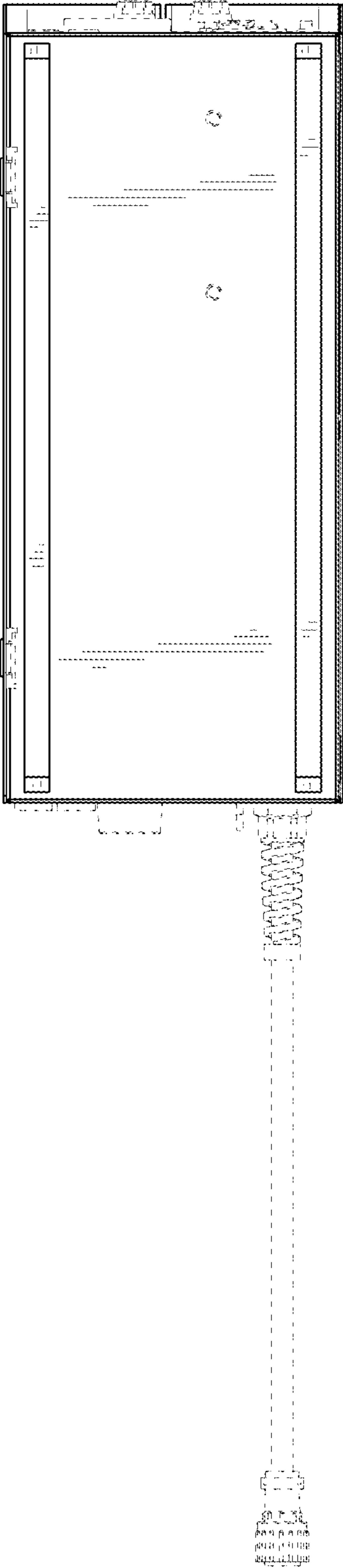


FIG. 18