



US00D752665S

(12) **United States Design Patent**
Kindig et al.

(10) **Patent No.:** **US D752,665 S**
(45) **Date of Patent:** **** Mar. 29, 2016**

- (54) **WELDER ENCLOSURE**
- (71) Applicant: **Lincoln Global, Inc.**, City of Industry, CA (US)
- (72) Inventors: **Michael A. Kindig**, Chagrin Falls, OH (US); **Bruce Chantry**, Solon, OH (US); **Joshuah Zaller**, Chardon, OH (US)
- (73) Assignee: **LINCOLN GLOBAL, INC.**, City of Industry, CA (US)
- (**) Term: **14 Years**
- (21) Appl. No.: **29/514,436**
- (22) Filed: **Jan. 13, 2015**
- (51) **LOC (10) Cl.** **15-09**
- (52) **U.S. Cl.**
USPC **D15/144**
- (58) **Field of Classification Search**
USPC D8/29.1, 30; D13/123, 133; D15/144, D15/144.1, 144.2
See application file for complete search history.

- D626,576 S * 11/2010 Gramatyka D15/144
- D654,519 S * 2/2012 Wujczak D15/144
- D665,833 S * 8/2012 Raymond D15/144
- D679,738 S * 4/2013 Segala D15/144
- D699,771 S * 2/2014 Barrett D15/144
- 8,841,583 B2 * 9/2014 Albrecht B23K 9/1006
219/130.1
- D741,385 S * 10/2015 Evans D15/144
- 2005/0212299 A1 * 9/2005 Wang F01P 5/02
290/1 A
- 2006/0027547 A1 * 2/2006 Silvestro B23K 9/323
219/133

* cited by examiner

Primary Examiner — Patricia Palasik

(74) *Attorney, Agent, or Firm* — Pearne & Gordon LLP

(57) **CLAIM**

The ornamental design for a welder enclosure, as shown and described.

DESCRIPTION

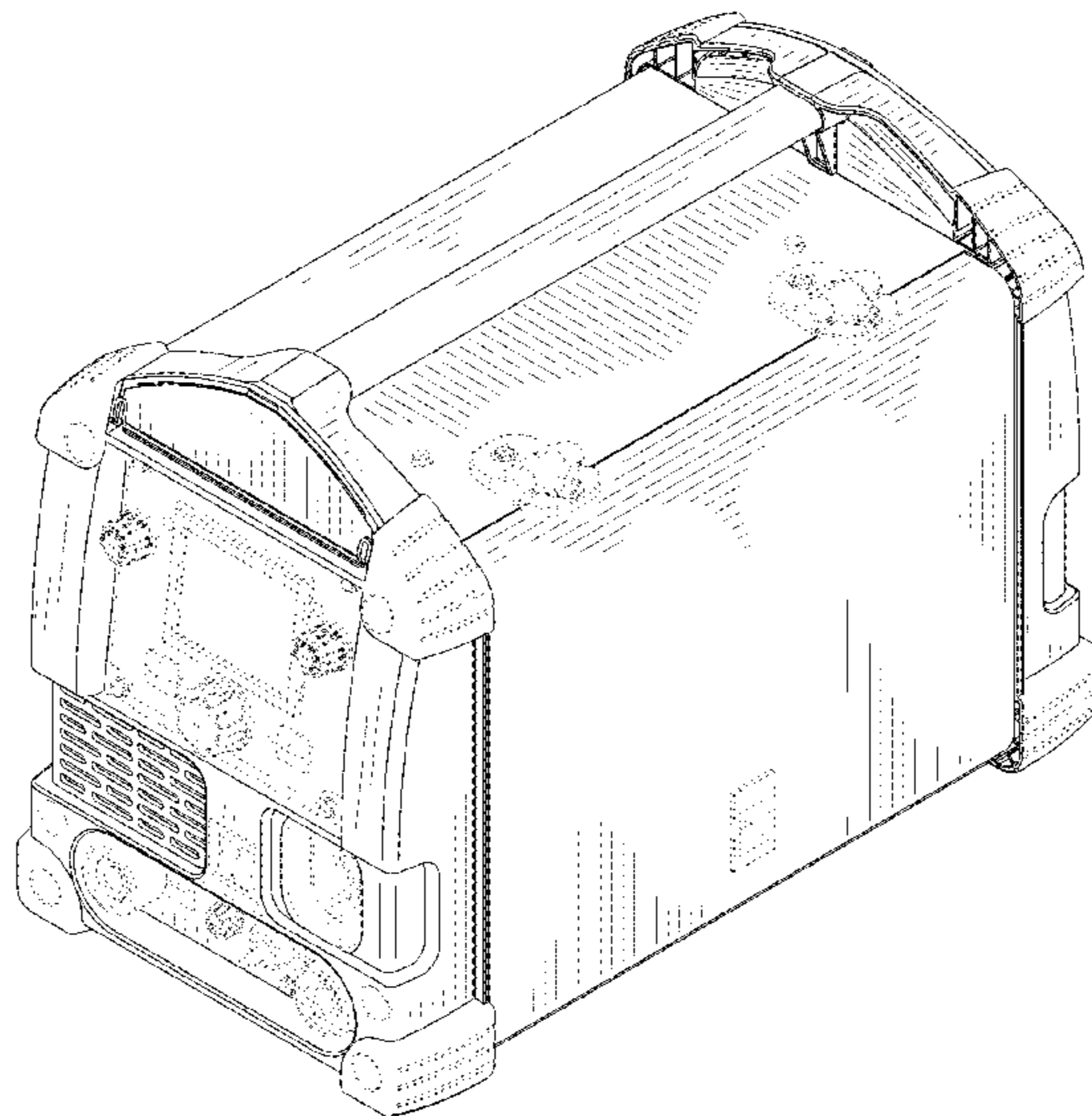
FIG. 1 is a front isometric view of a welder enclosure showing our new design, with a front tool compartment door in a closed position;
 FIG. 2 is a front isometric view thereof, with the front tool compartment door in an open position;
 FIG. 3 is a rear isometric view thereof, with a rear tool compartment door in a closed position;
 FIG. 4 is a rear isometric view thereof, with the rear tool compartment door in an open position;
 FIG. 5 is a front elevation view thereof;
 FIG. 6 is a rear elevation view thereof;
 FIG. 7 is a left side elevation view thereof;
 FIG. 8 is a right side elevation view thereof;
 FIG. 9 is a top view thereof; and,
 FIG. 10 is a bottom view thereof.
 The broken lines are for illustrative purposes only and form no part of the claimed design.

1 Claim, 10 Drawing Sheets

(56) **References Cited**

U.S. PATENT DOCUMENTS

- D243,459 S * 2/1977 Bliss D15/144
- D342,159 S * 12/1993 Daouk D3/272
- D357,263 S * 4/1995 Soderholm D15/144.2
- D357,927 S * 5/1995 Soderholm D15/144.1
- D377,335 S * 1/1997 Katooka D13/110
- D386,148 S * 11/1997 Katooka D13/110
- 5,734,148 A * 3/1998 Latvis B23K 9/32
219/133
- D416,030 S * 11/1999 Weller D15/144.1
- D467,257 S * 12/2002 Andersson D15/144
- D518,078 S * 3/2006 Persson D15/144.1
- D569,883 S * 5/2008 Wang D15/144
- D569,884 S * 5/2008 Shu D15/144
- D611,074 S * 3/2010 Bashore D15/144



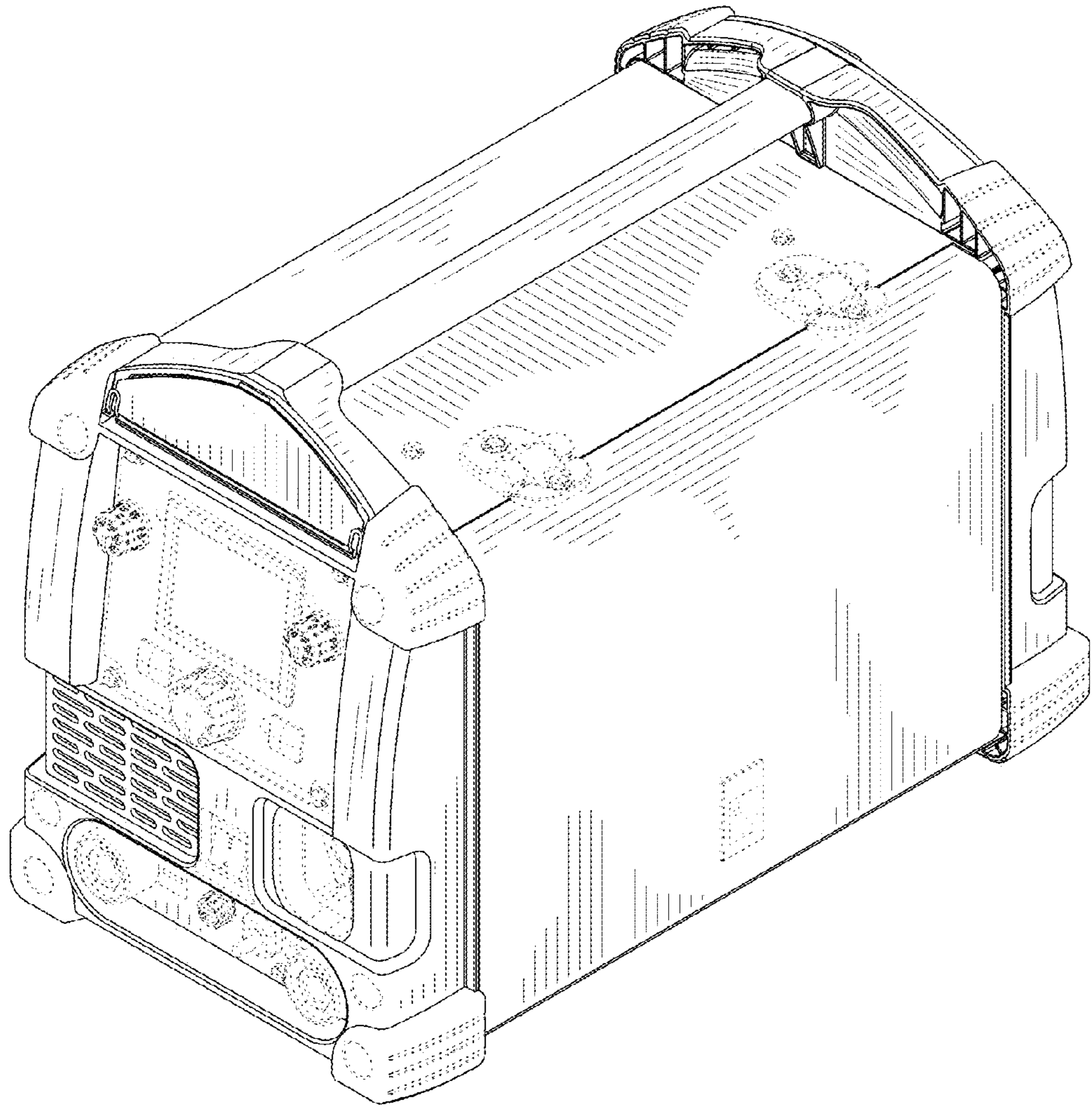


FIG. 1

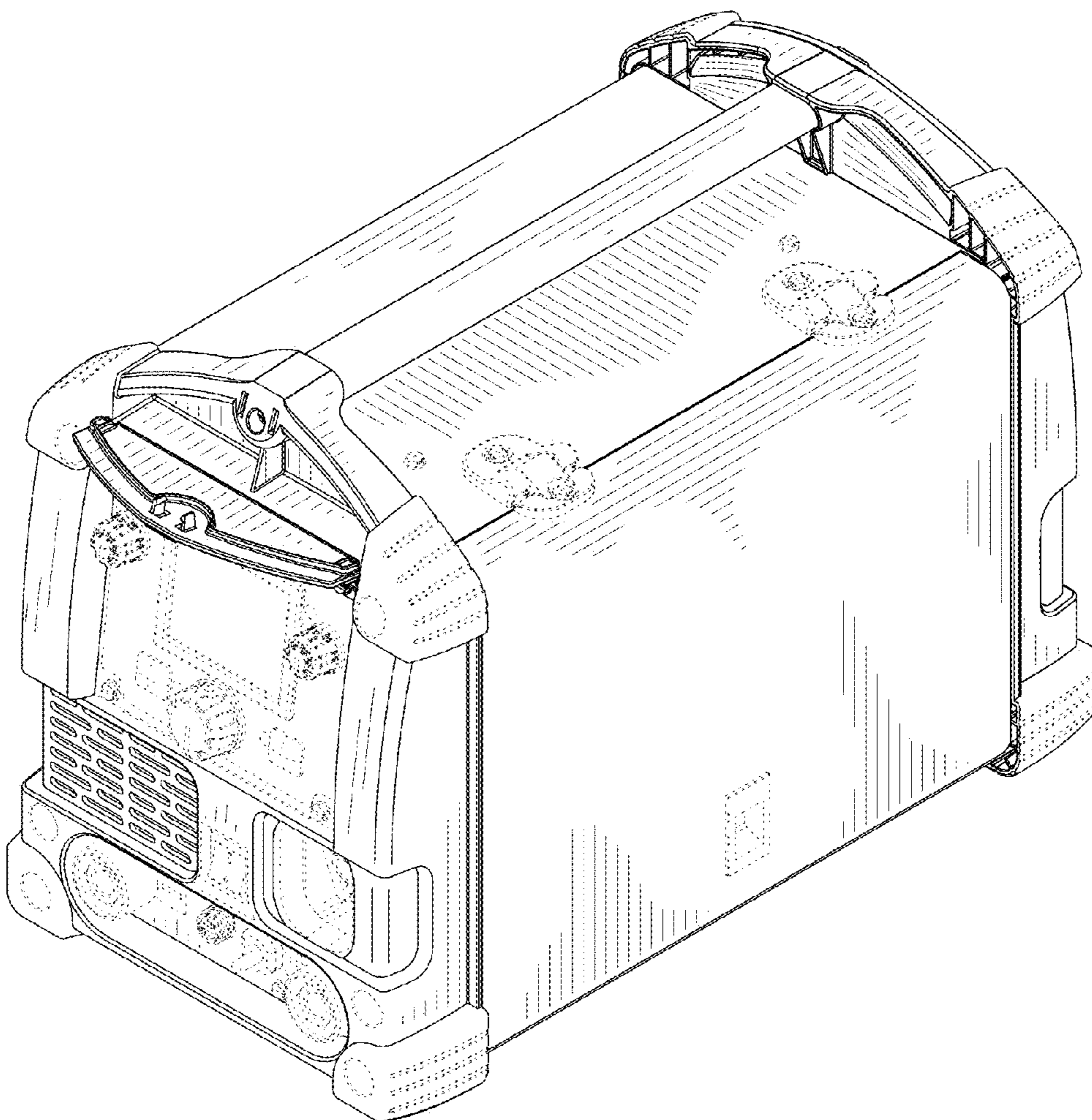


FIG. 2

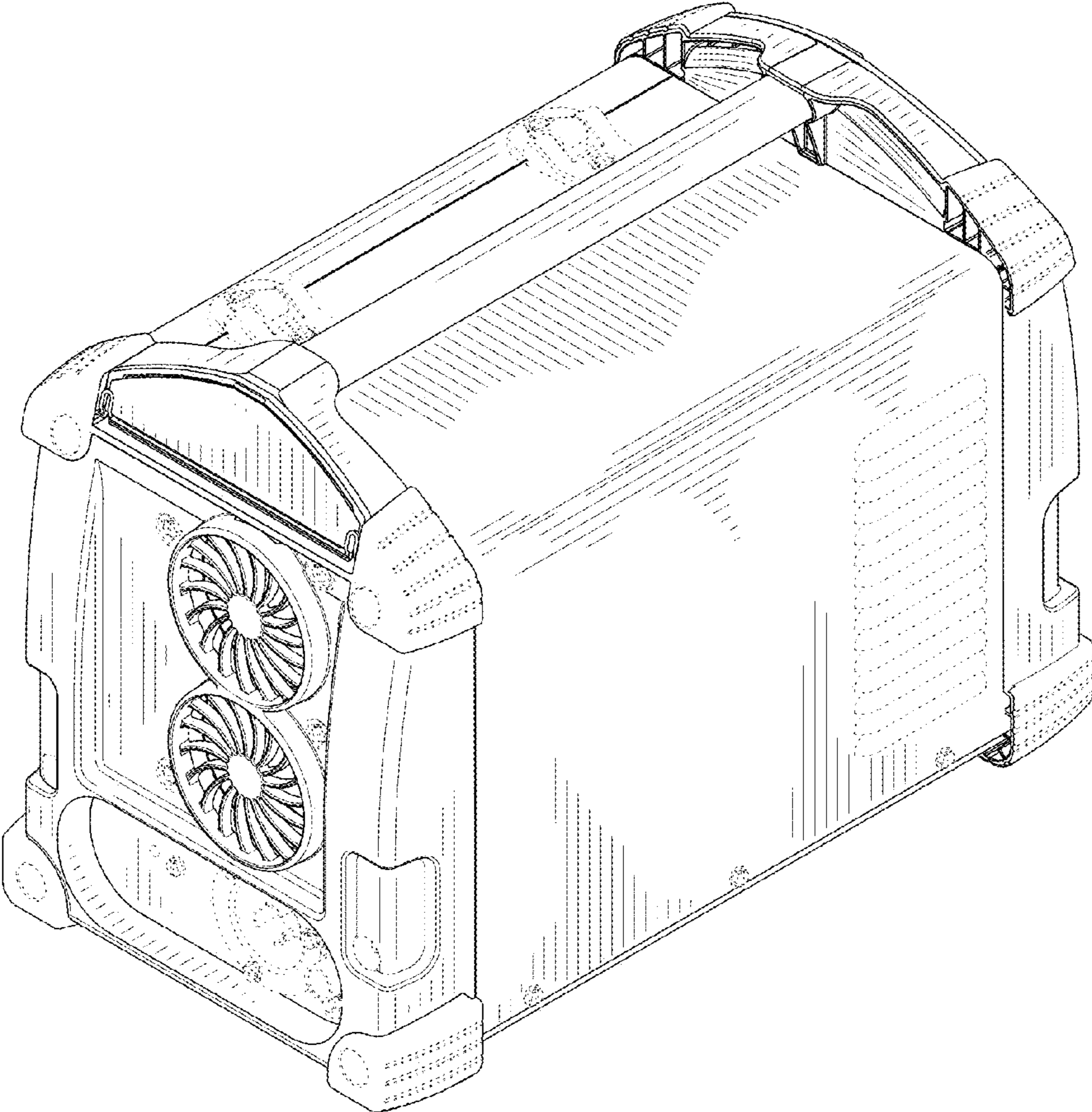


FIG. 3

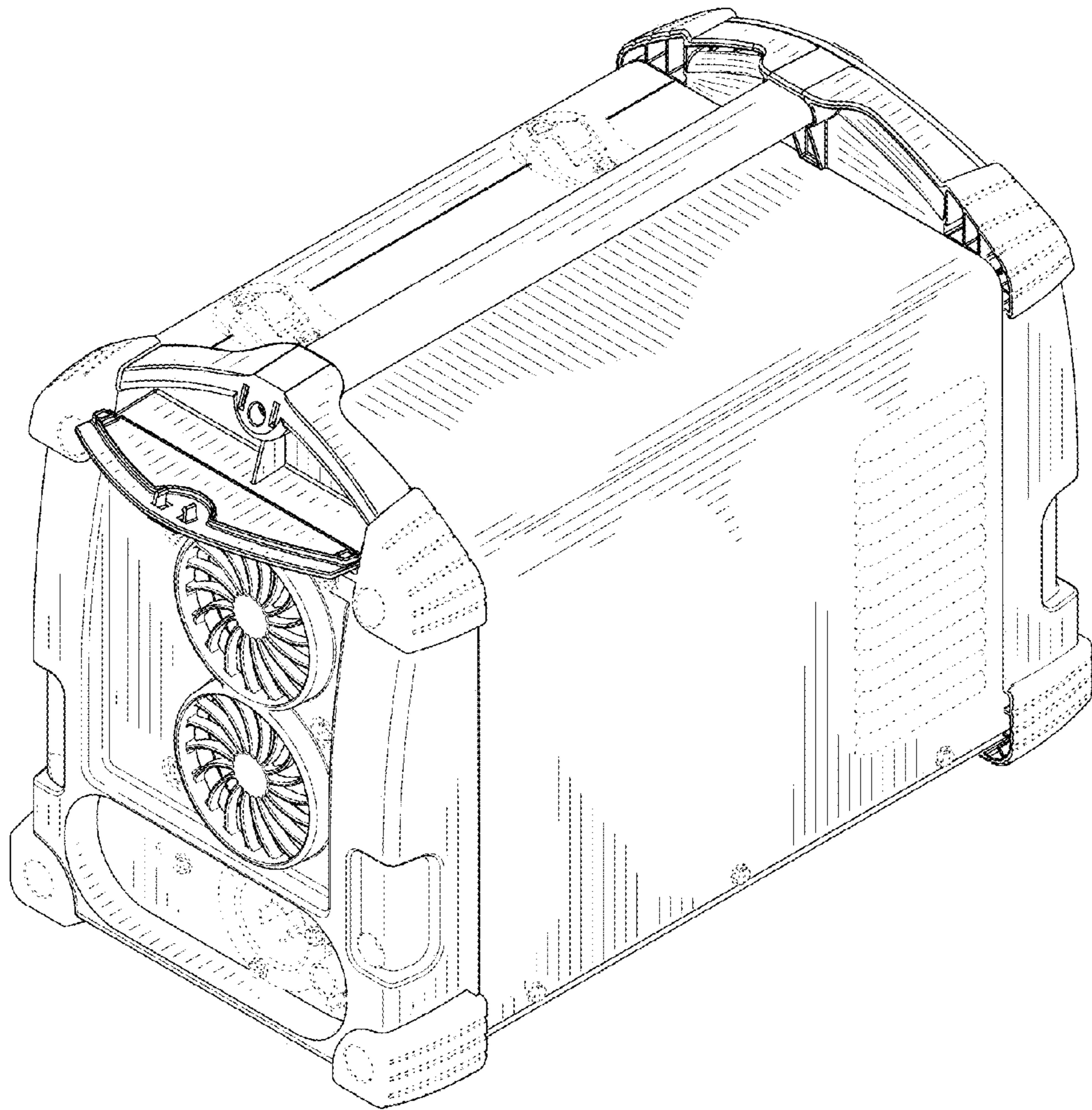


FIG. 4

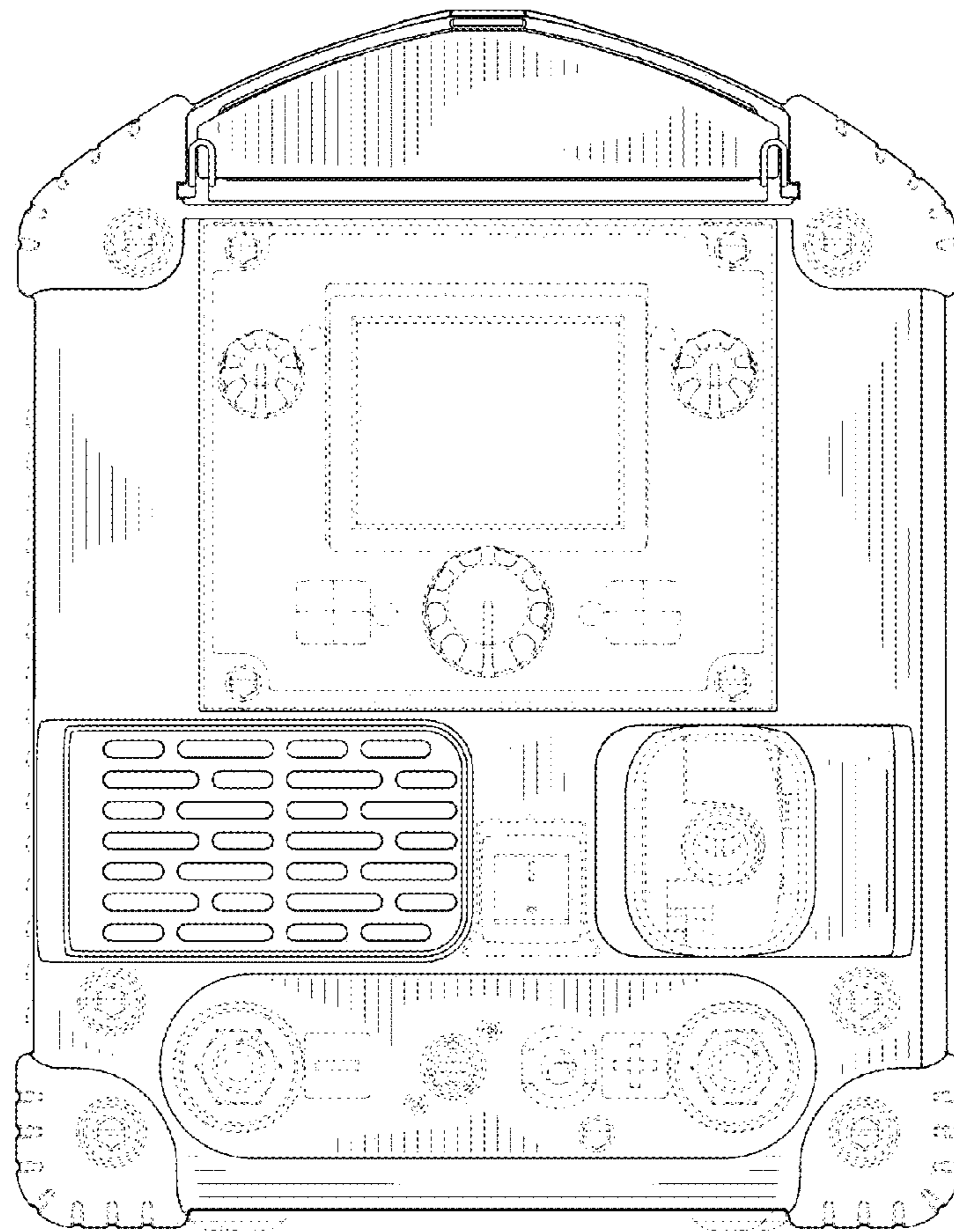


FIG. 5

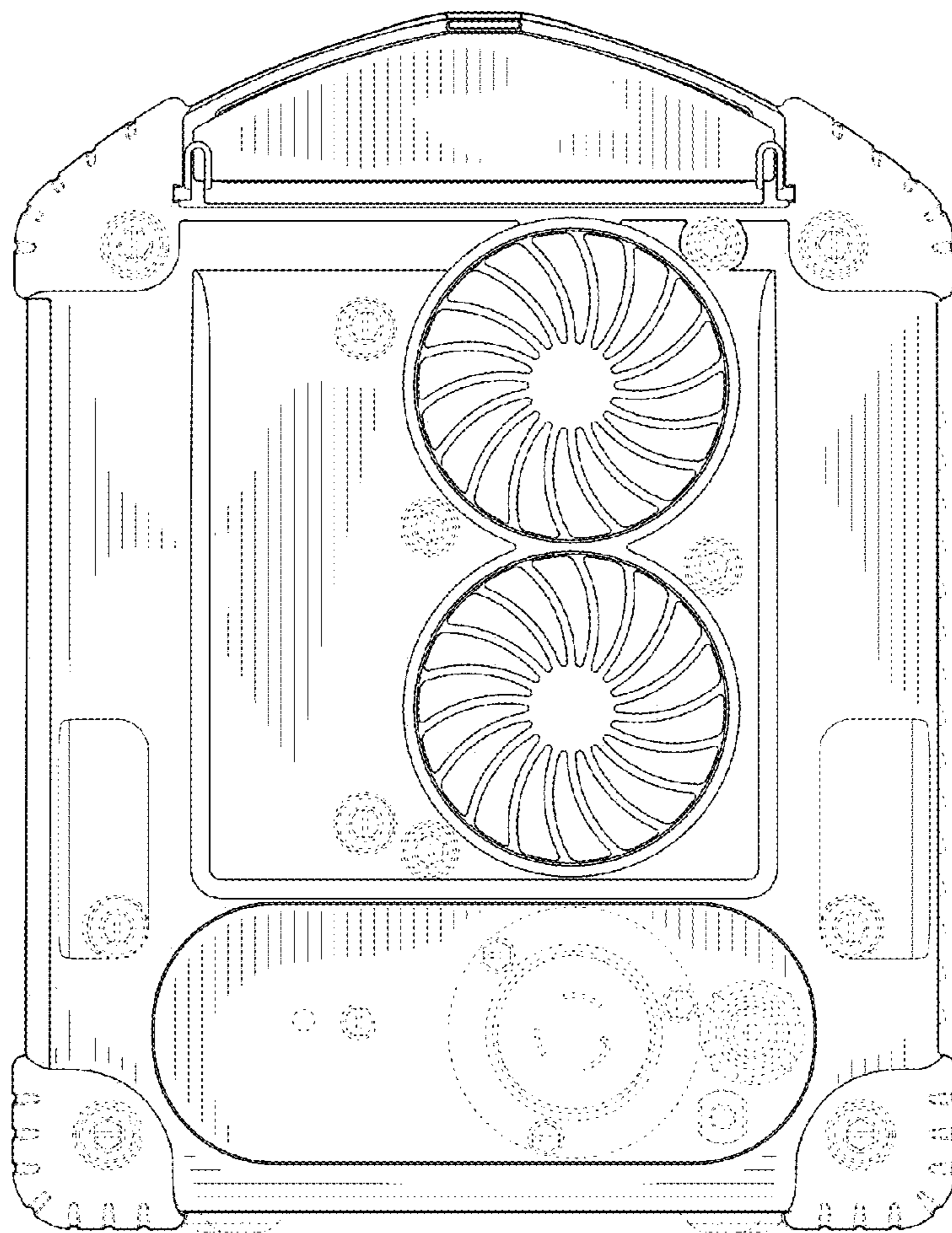


FIG. 6

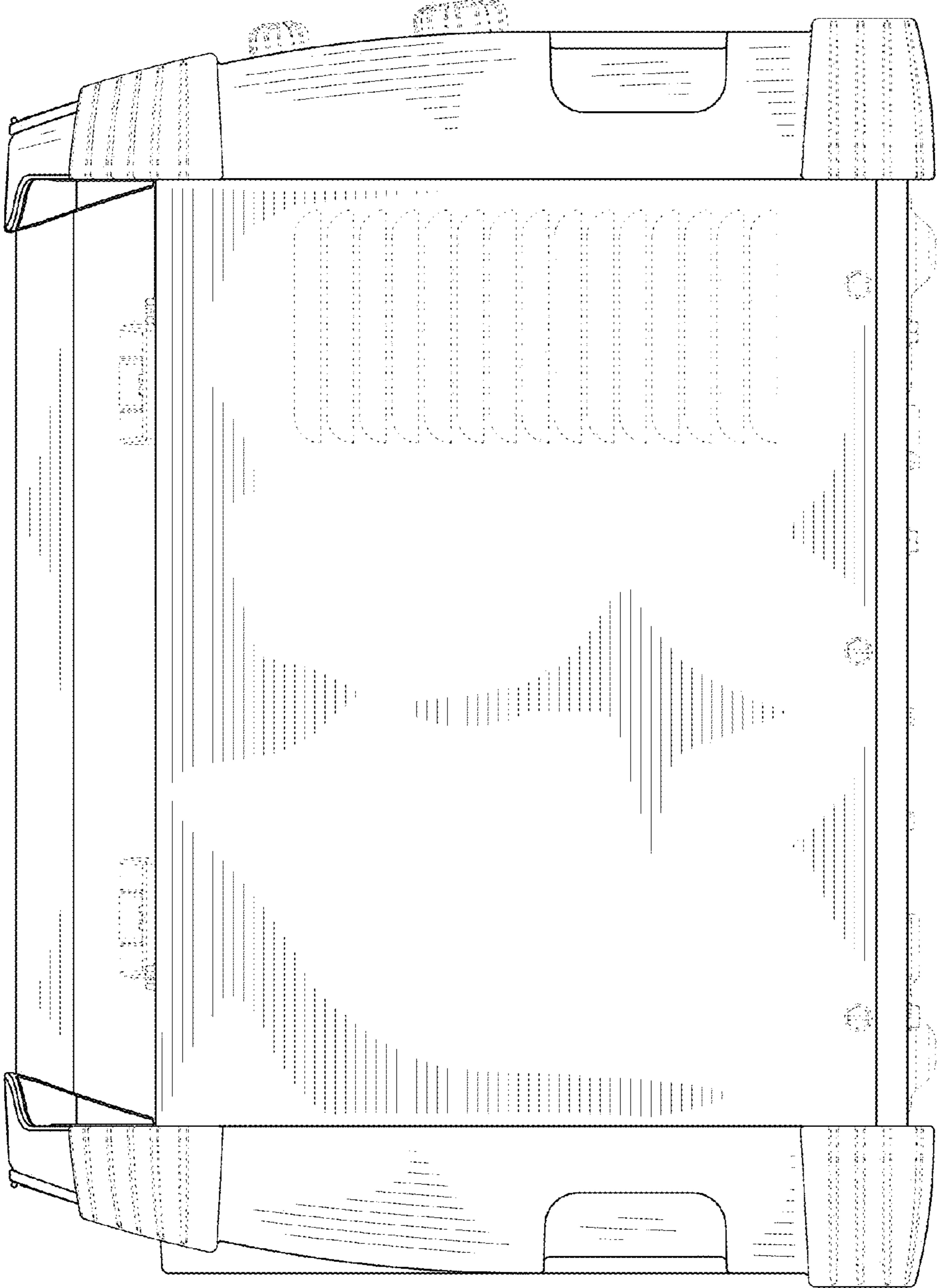


FIG. 7

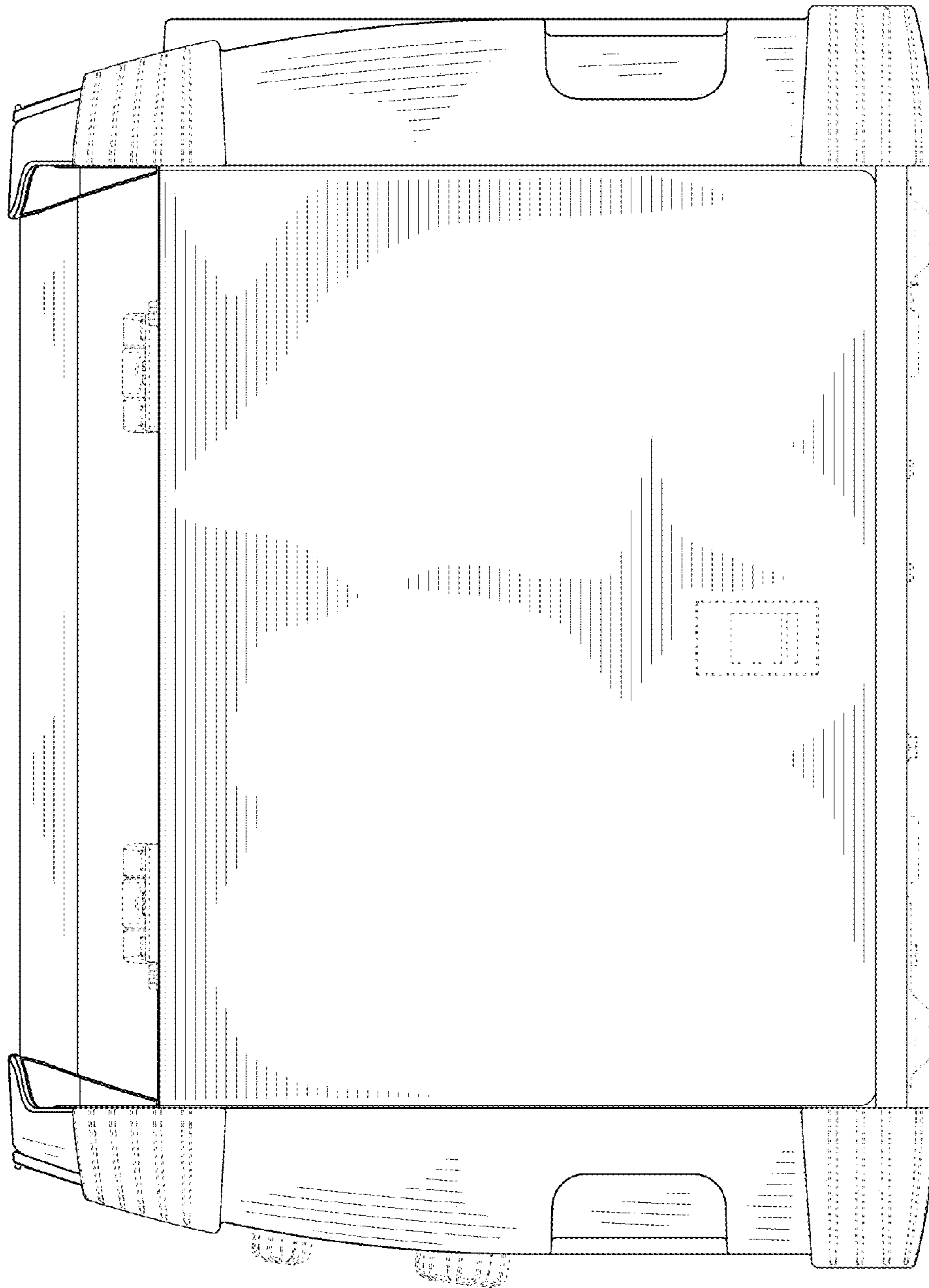


FIG. 8

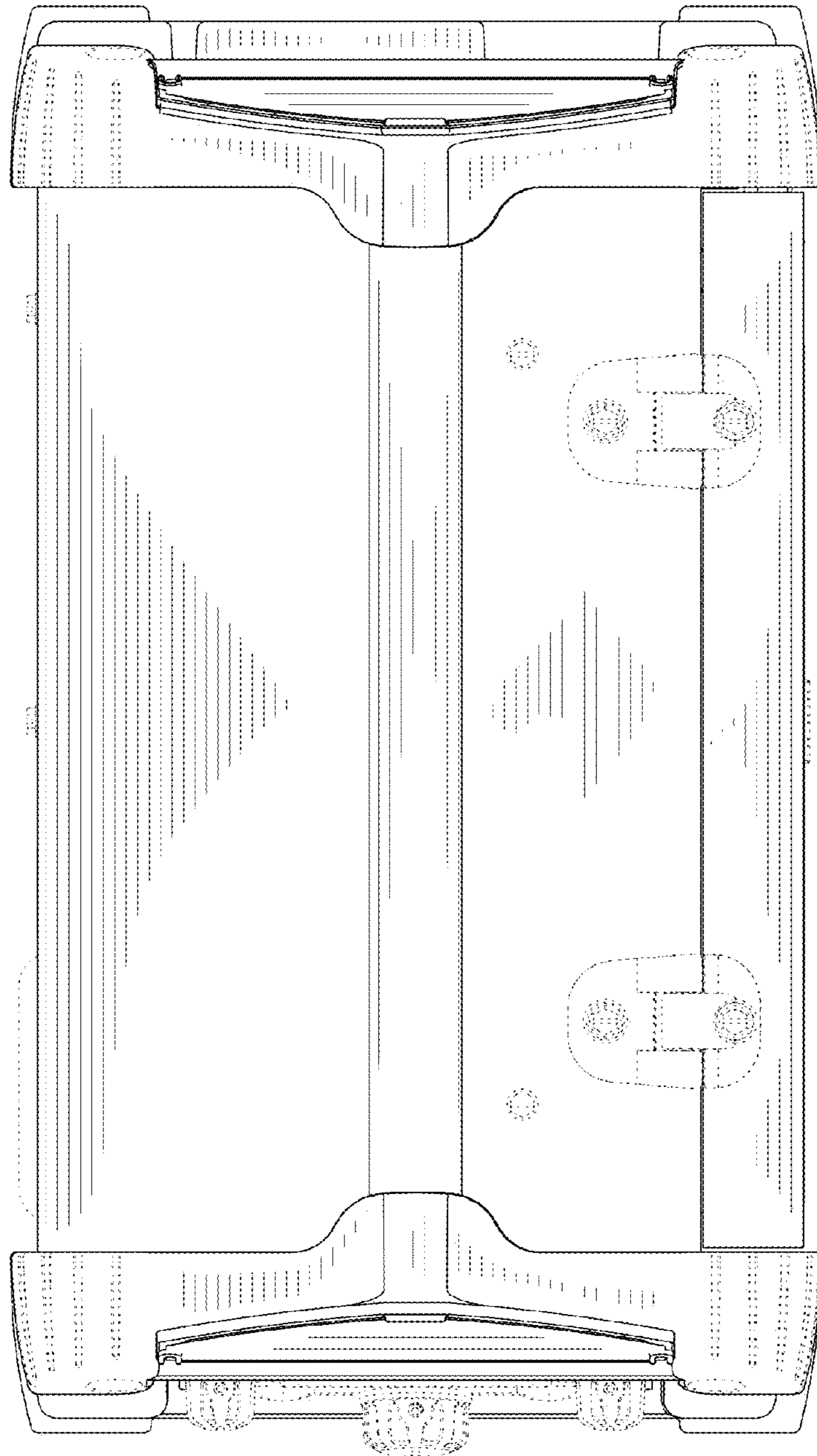


FIG. 9

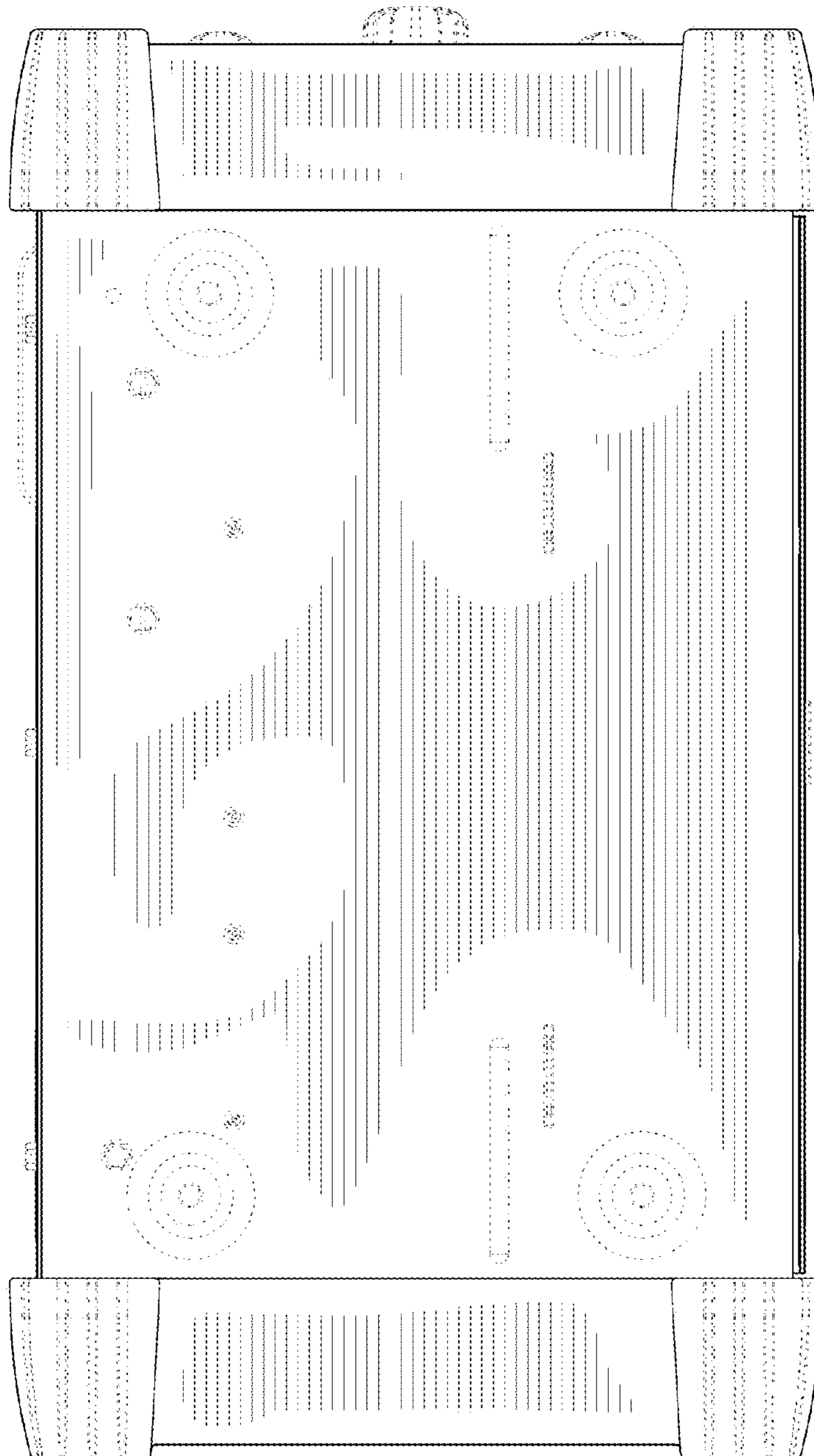


FIG. 10