



US00D752664S

(12) **United States Design Patent**
Jung

(10) **Patent No.:** **US D752,664 S**
(45) **Date of Patent:** **** Mar. 29, 2016**

(54) **CUTTING INSERT**
(71) Applicant: **TaeguTec Ltd., Daegu (KR)**
(72) Inventor: **Kang Sool Jung, Daegu (KR)**
(73) Assignee: **TaeguTec Ltd., Daegu (KR)**
(**) Term: **14 Years**
(21) Appl. No.: **29/503,389**
(22) Filed: **Sep. 25, 2014**
(51) **LOC (10) Cl.** **15-09**
(52) **U.S. Cl.**
USPC **D15/139**
(58) **Field of Classification Search**
USPC D8/20, 70; D15/138, 139, 140;
407/113, 114
See application file for complete search history.

7,452,167 B2 * 11/2008 Nishio B23C 3/28
407/113
7,878,738 B2 * 2/2011 Kammermeier B23C 5/06
407/100
7,905,687 B2 * 3/2011 Dufour B23C 5/06
407/113
7,972,091 B2 * 7/2011 Svenningsson B23C 5/10
407/113
8,172,487 B2 * 5/2012 Ballas B23C 5/003
407/113
8,313,270 B2 * 11/2012 Hecht B23C 5/109
407/113
8,556,546 B2 * 10/2013 Smilovici B23C 5/06
407/114
8,579,558 B2 * 11/2013 Hatta B23C 5/109
407/113
8,696,263 B2 * 4/2014 Saji B23C 5/109
407/113
D705,281 S * 5/2014 Heinasenaho D15/139
D705,828 S * 5/2014 Imai D15/139
8,834,075 B2 * 9/2014 Choi B23C 5/08
407/113
D715,840 S * 10/2014 Park D15/139
8,950,984 B2 * 2/2015 Choi B23C 5/8202
407/113
8,998,542 B2 * 4/2015 Ishi B23C 5/109
407/113
9,039,335 B2 * 5/2015 Hedberg B23C 5/207
407/113

(56) **References Cited**

U.S. PATENT DOCUMENTS

5,207,538 A * 5/1993 Satran B23C 5/2213
407/113
D347,642 S * 6/1994 Lindberg D15/139
5,466,097 A * 11/1995 Wallstrom B23C 5/207
407/113
5,513,931 A * 5/1996 Reiterman B23C 5/109
407/113
5,775,855 A * 7/1998 Reiterman B23C 5/207
407/113
5,810,519 A * 9/1998 Vogel B23C 5/109
407/114
5,853,267 A * 12/1998 Satran B23C 5/202
407/113
D404,406 S * 1/1999 Satran D15/139
5,957,755 A * 9/1999 LaFlamme B23B 27/141
407/113
6,142,716 A * 11/2000 Jordberg B23C 5/202
407/114
6,196,770 B1 * 3/2001 Astrom B23C 5/109
407/114
6,503,028 B1 * 1/2003 Wallstrom B23C 5/109
407/35
D486,505 S * 2/2004 Arvidsson D15/139
7,147,407 B2 * 12/2006 Satran B23C 5/109
407/113

* cited by examiner

Primary Examiner — Patricia Palasik
(74) *Attorney, Agent, or Firm* — Hamre, Schumann,
Mueller & Larson, P.C.

(57) **CLAIM**

The ornamental design for a cutting insert, as shown and described.

DESCRIPTION

FIG. 1 is a perspective view of a cutting insert showing my new design;
FIG. 2 is a front elevational view thereof;
FIG. 3 is a rear elevational view thereof;
FIG. 4 is a left side view thereof;
FIG. 5 is a right side view thereof;
FIG. 6 is a top plan view thereof;
FIG. 7 is a bottom plan view thereof; and,
FIG. 8 is a cross-sectional view taken along line 8-8 of FIG. 2.
The broken lines in the drawings depict unclaimed environmental subject matter.

1 Claim, 6 Drawing Sheets

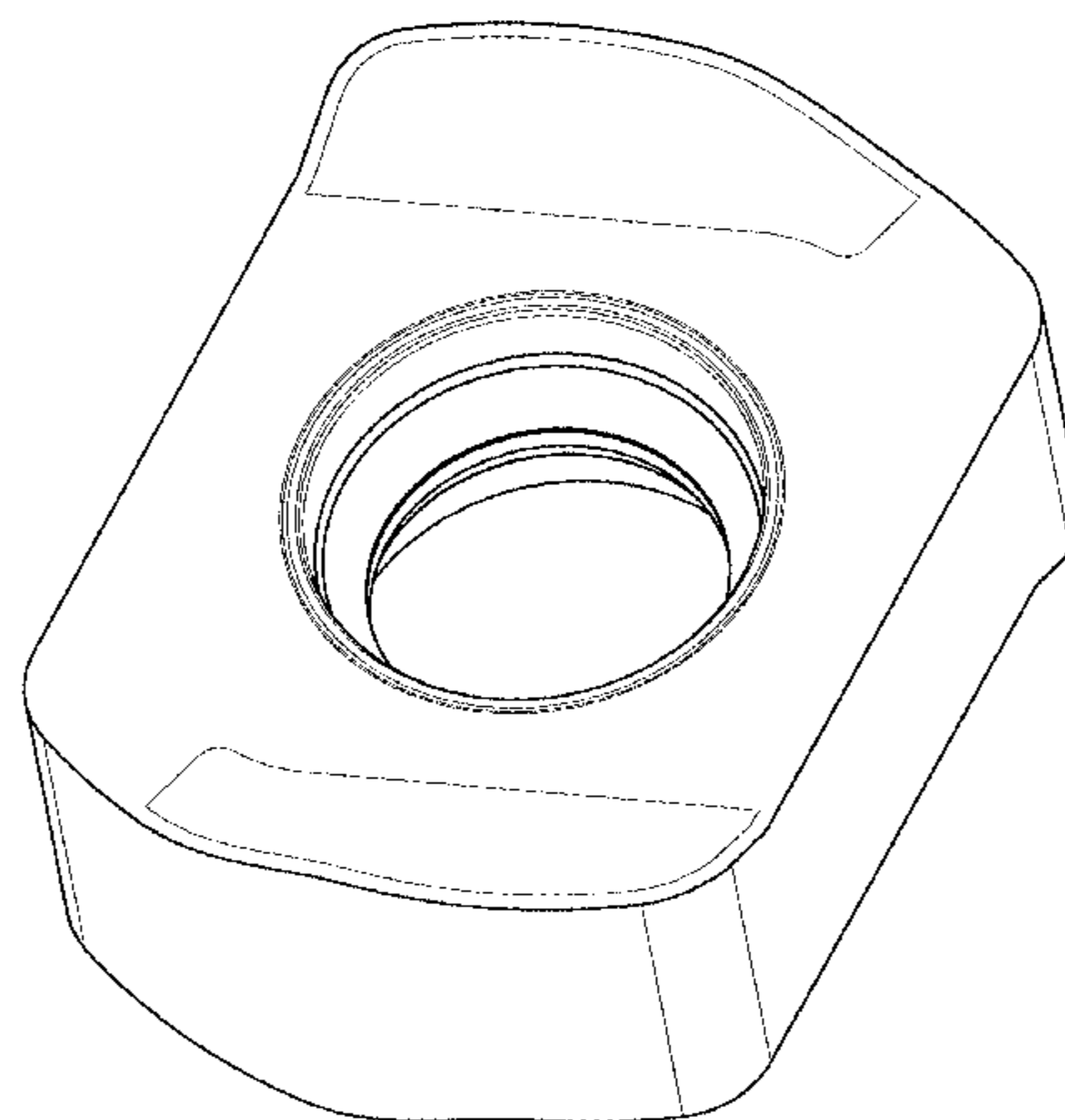


Fig. 1

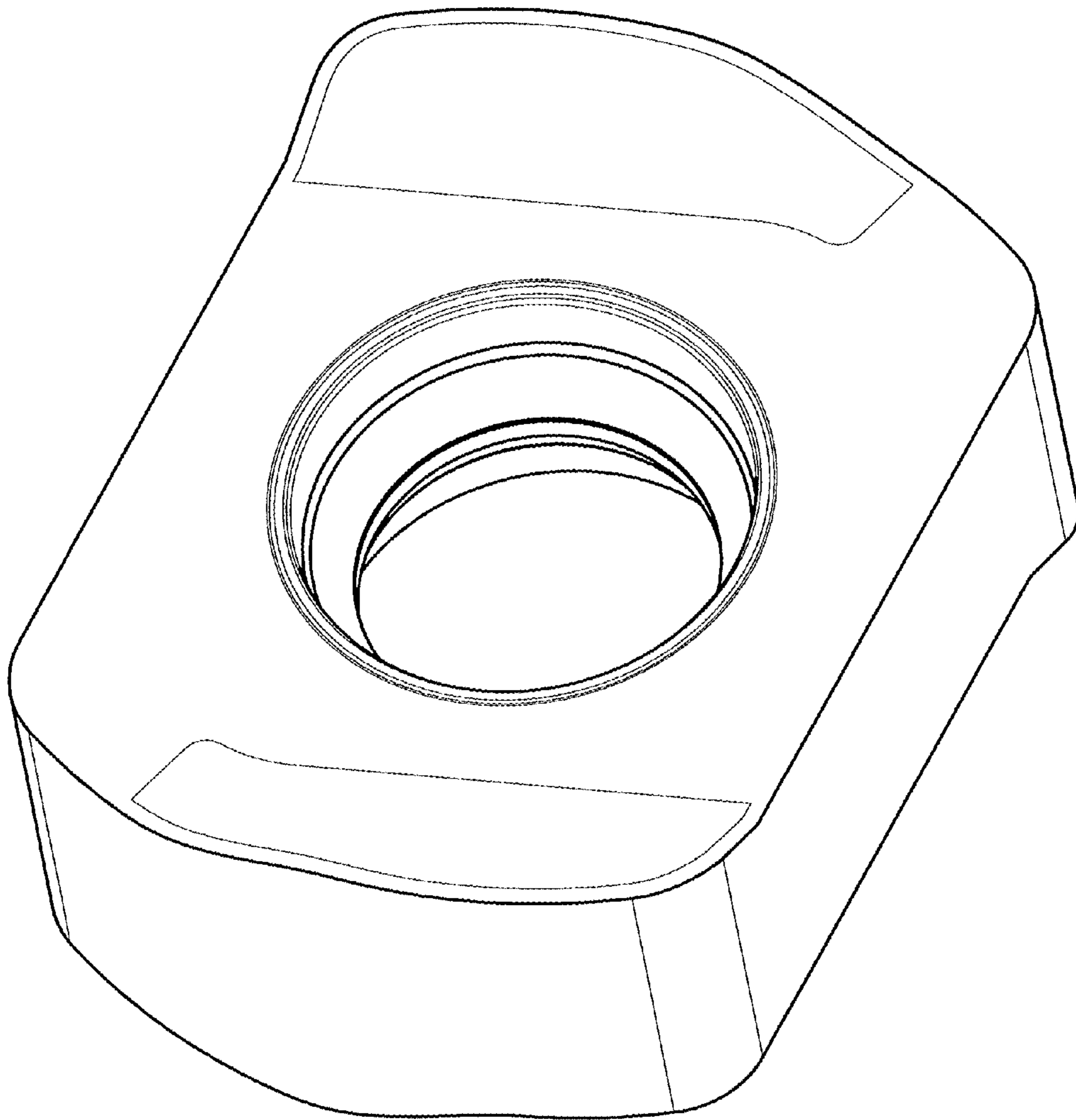


Fig. 2

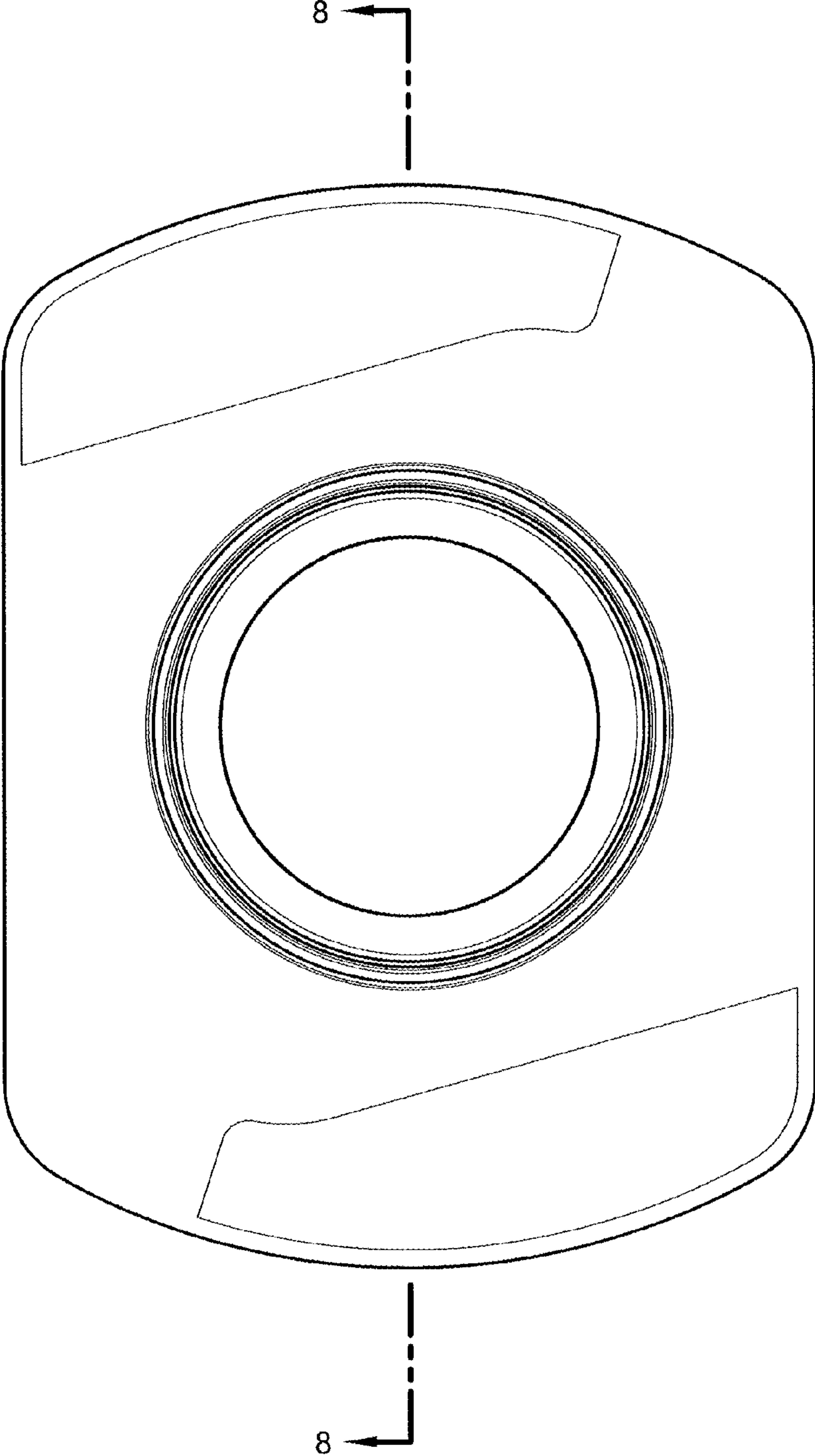


Fig. 3

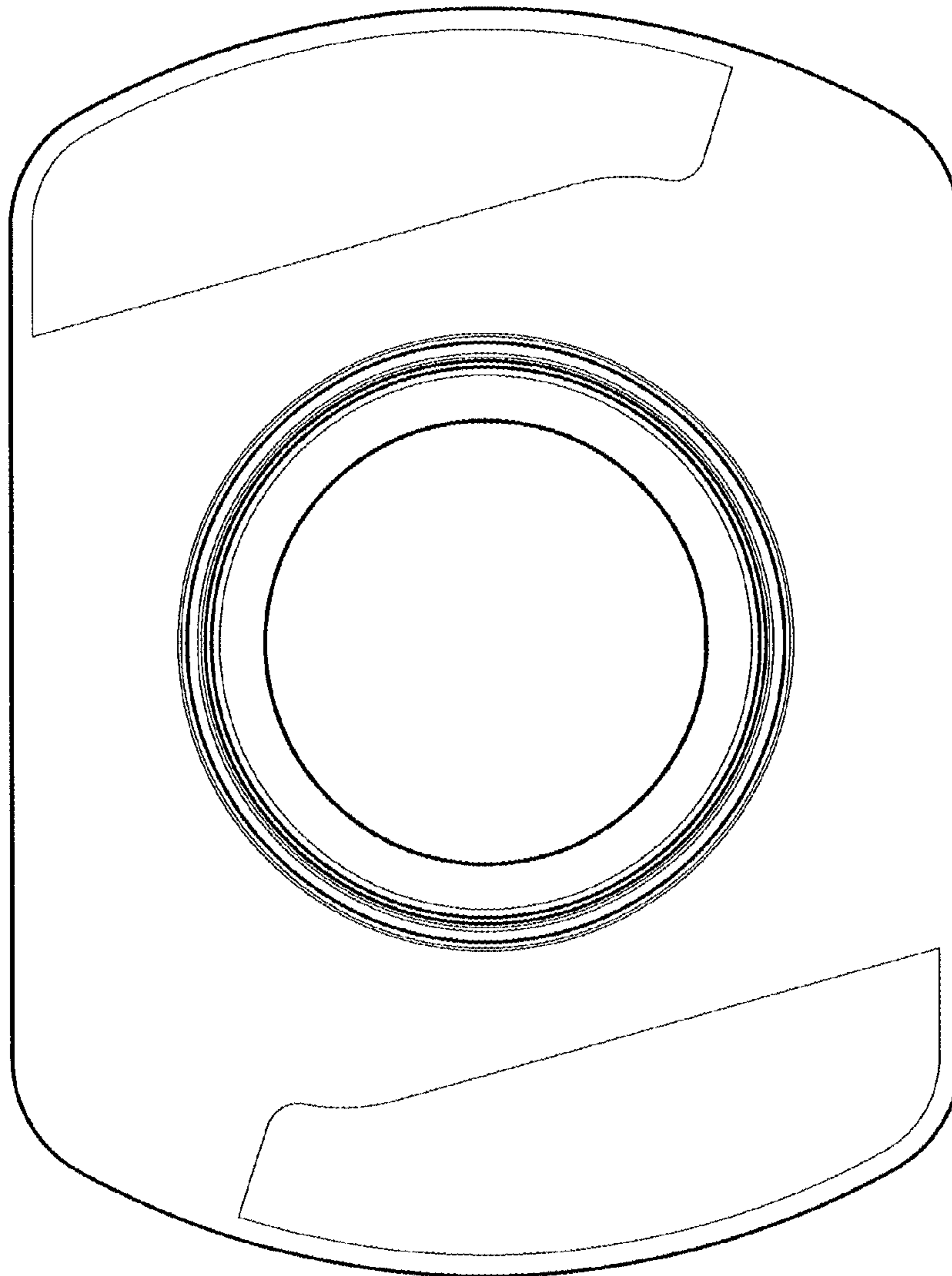


Fig. 4

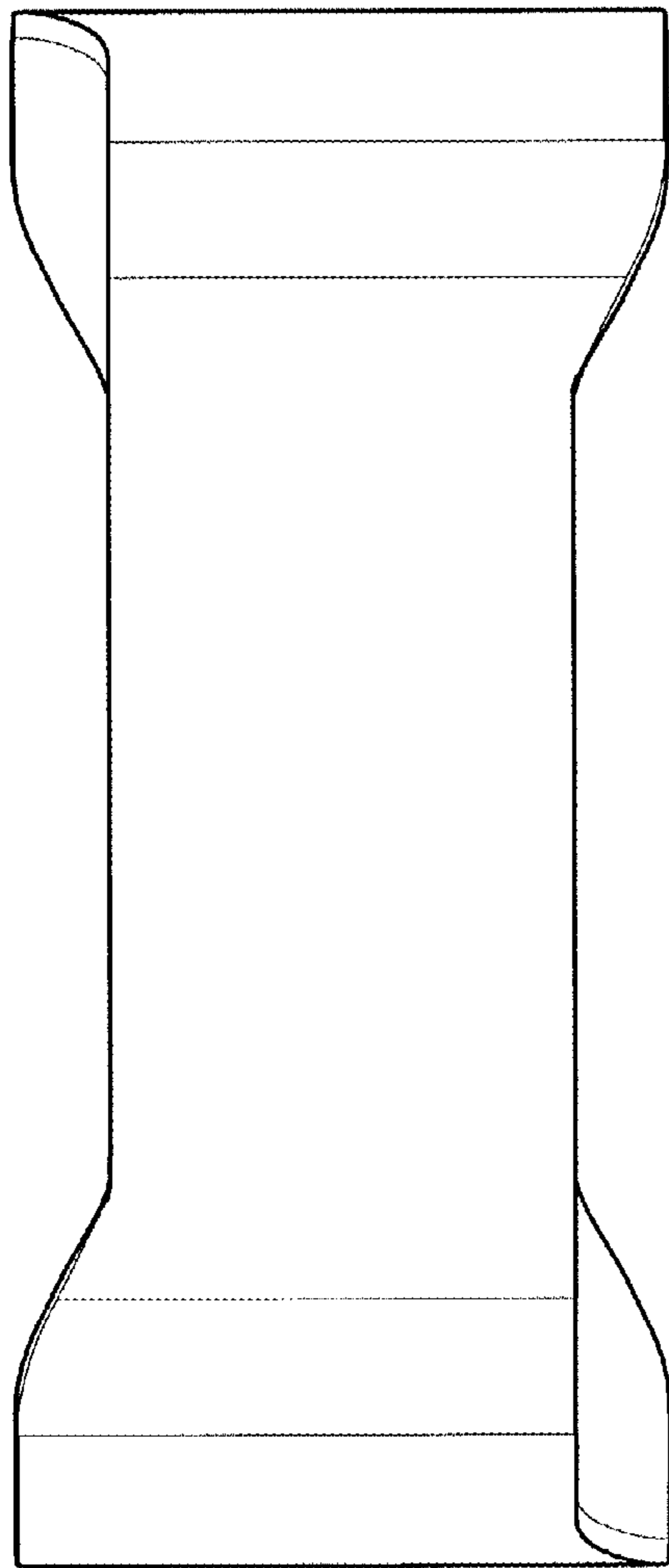


Fig. 5

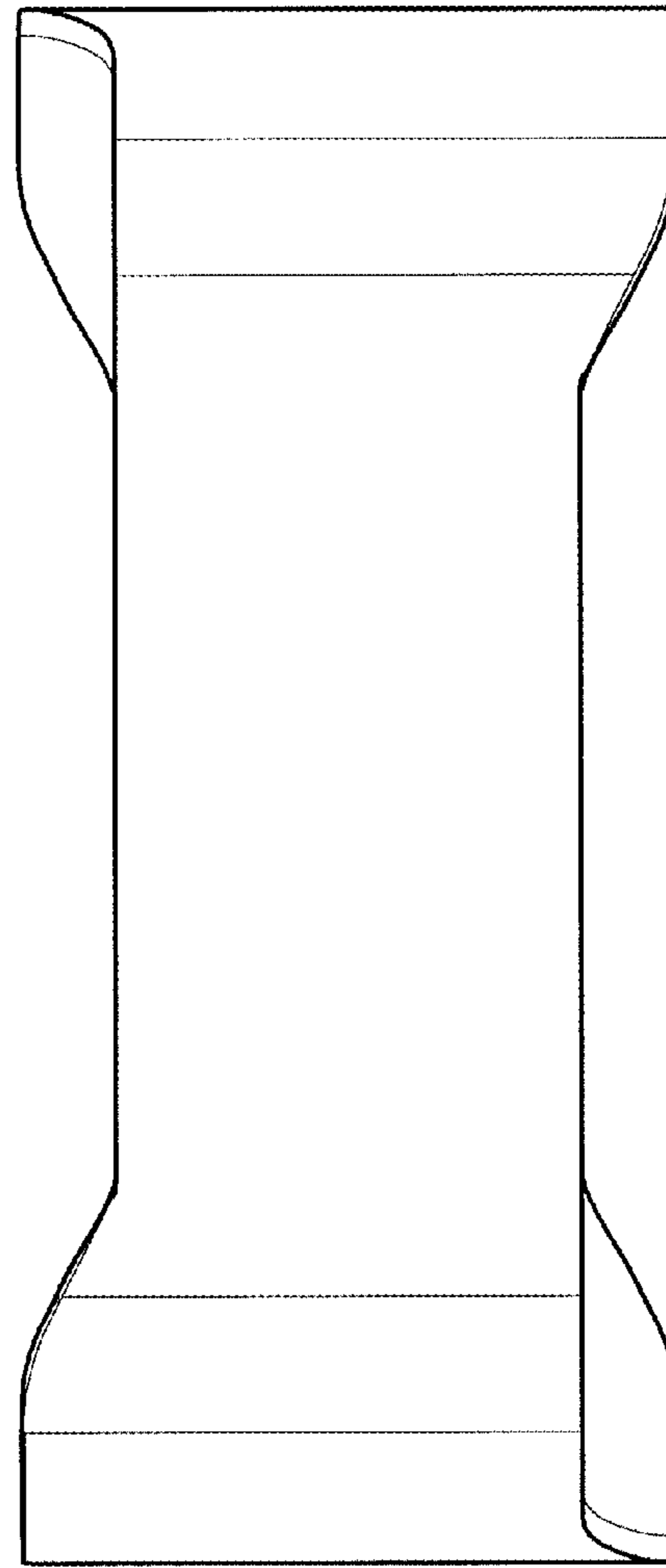


Fig. 6

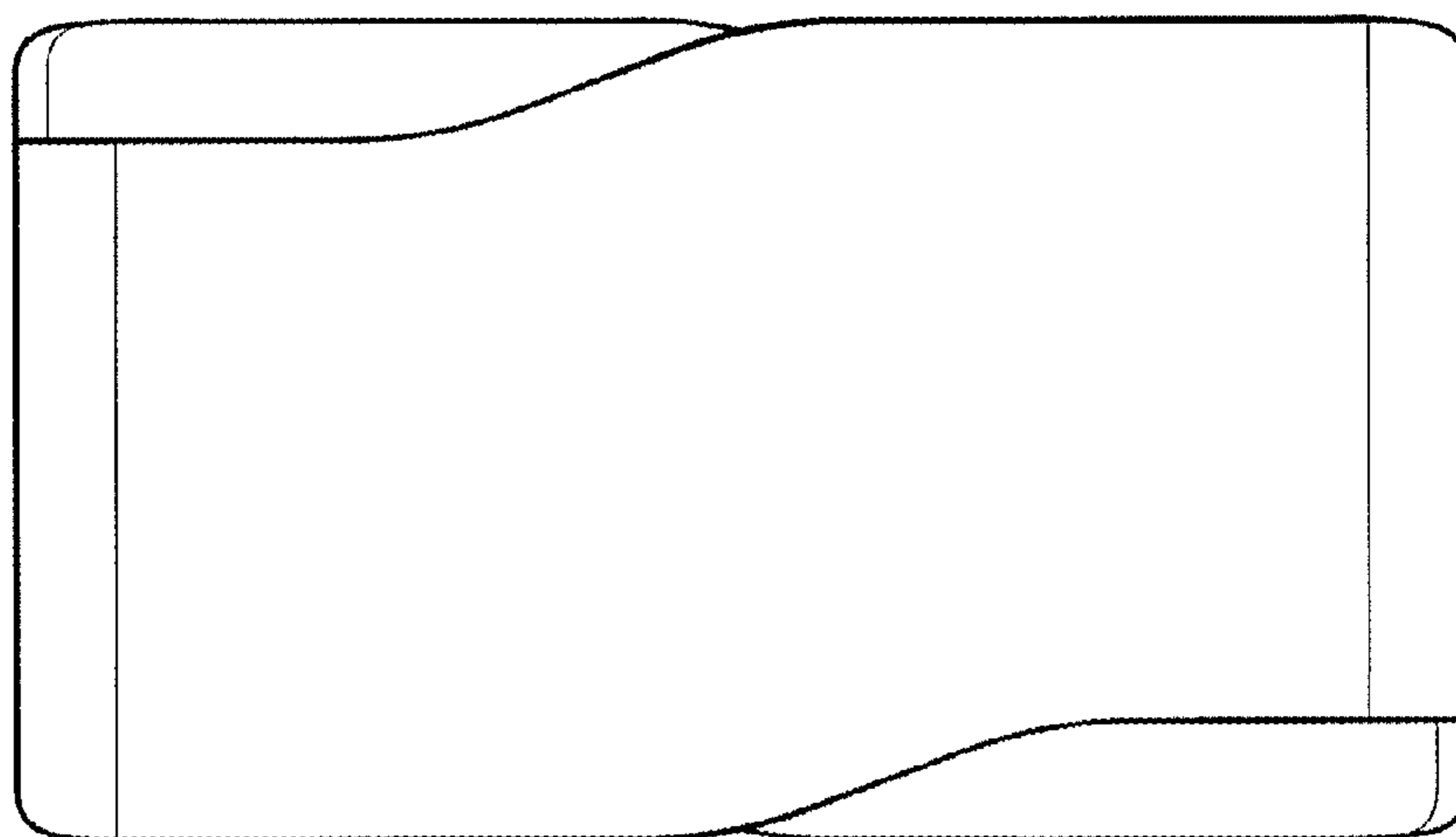


Fig. 7

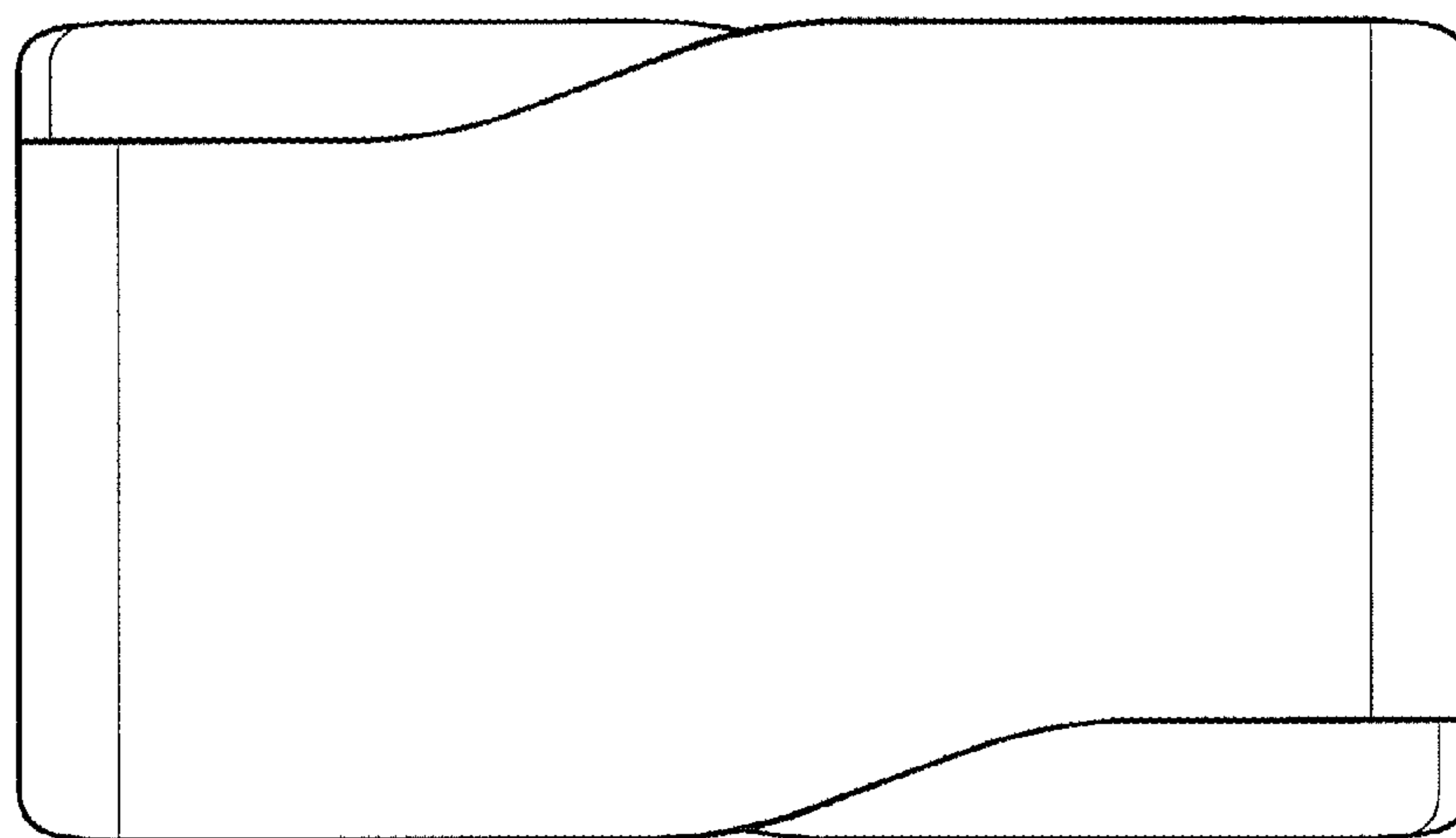


Fig. 8

