



US00D752663S

(12) **United States Design Patent**
Suzuki et al.

(10) **Patent No.:** **US D752,663 S**
(45) **Date of Patent:** **** Mar. 29, 2016**

(54) **IMPELLER FOR SHOTBLAST APPARATUS**
(71) Applicant: **Sintokogio, Ltd.**, Nagoya-shi, Aichi (JP)
(72) Inventors: **Hiroaki Suzuki**, Toyokawa (JP); **Masato Umeoka**, Toyokawa (JP)
(73) Assignee: **Sintokogio, Ltd.** (JP)
(**) Term: **14 Years**
(21) Appl. No.: **29/510,678**
(22) Filed: **Dec. 2, 2014**
(30) **Foreign Application Priority Data**

Jun. 18, 2014 (JP) 2014-013145
(51) **LOC (10) Cl.** **15-09**
(52) **U.S. Cl.**
USPC **D15/138**
(58) **Field of Classification Search**
USPC D15/28, 122, 124, 138, 126; 451/97,
451/98, 85, 321, 328, 38, 39, 40, 75, 87, 88,
451/91, 99, 451; 51/432, 433, 434, 435;
241/275; 416/214, 220; 308/165
CPC B24C 5/06; B24C 5/00; B24C 3/263;
B24C 3/26; B24C 3/00; B24C 3/14; B24C
9/00; B24C 9/006; B24C 7/0053; B24C
7/0061; B24C 7/0092; B05B 11/3001; B05B
11/3061; B05B 11/3063; F02P 7/021
See application file for complete search history.

5,577,953 A * 11/1996 MacMillan B24C 5/062
415/115
5,637,029 A * 6/1997 Lehane B08B 3/02
451/39
5,688,162 A * 11/1997 Williams B24C 5/068
451/38
5,759,091 A * 6/1998 MacMillan B24C 5/062
415/115
6,688,946 B2 * 2/2004 Schmidt B24C 9/006
210/252
6,926,594 B1 * 8/2005 Nakayama B24C 3/263
451/326
D534,557 S * 1/2007 Storer D15/124
7,421,872 B2 * 9/2008 Indlekofer B24C 3/14
29/90.7
7,905,766 B2 * 3/2011 Iwata B24C 5/06
451/92
D669,922 S * 10/2012 Eliason D15/124
8,550,881 B2 * 10/2013 Loutzenheiser B24C 5/062
451/95
9,022,835 B1 * 5/2015 Gus B24C 9/006
451/87

* cited by examiner

Primary Examiner — Mark Goodwin
(74) *Attorney, Agent, or Firm* — Saidman DesignLaw Group, LLC

(57) **CLAIM**
The ornamental design for an impeller for shotblast apparatus, as shown and described.

(56) **References Cited**
U.S. PATENT DOCUMENTS

2,869,289 A * 1/1959 Gossard B24C 5/06
451/97
4,069,025 A * 1/1978 Macmillan B24C 5/062
451/97
4,395,851 A * 8/1983 Watts B24C 5/06
451/97
4,751,798 A * 6/1988 McDade B24C 5/06
416/220 A
4,907,379 A * 3/1990 MacMillan B24C 3/14
451/84
4,964,420 A * 10/1990 Ichikawa F16N 7/385
137/171
5,029,595 A * 7/1991 Hautau B05B 13/00
134/142

DESCRIPTION

FIG. 1 is a front top perspective view of an impeller for shotblast apparatus showing our new design;
FIG. 2 is a rear bottom perspective view thereof;
FIG. 3 is a front view thereof;
FIG. 4 is a rear view thereof;
FIG. 5 is a left side view thereof;
FIG. 6 is a right side view thereof;
FIG. 7 is a top plan view thereof; and,
FIG. 8 is a bottom plan view thereof.
The broken lines illustrate environmental structure and form no part of the claimed design.

1 Claim, 4 Drawing Sheets

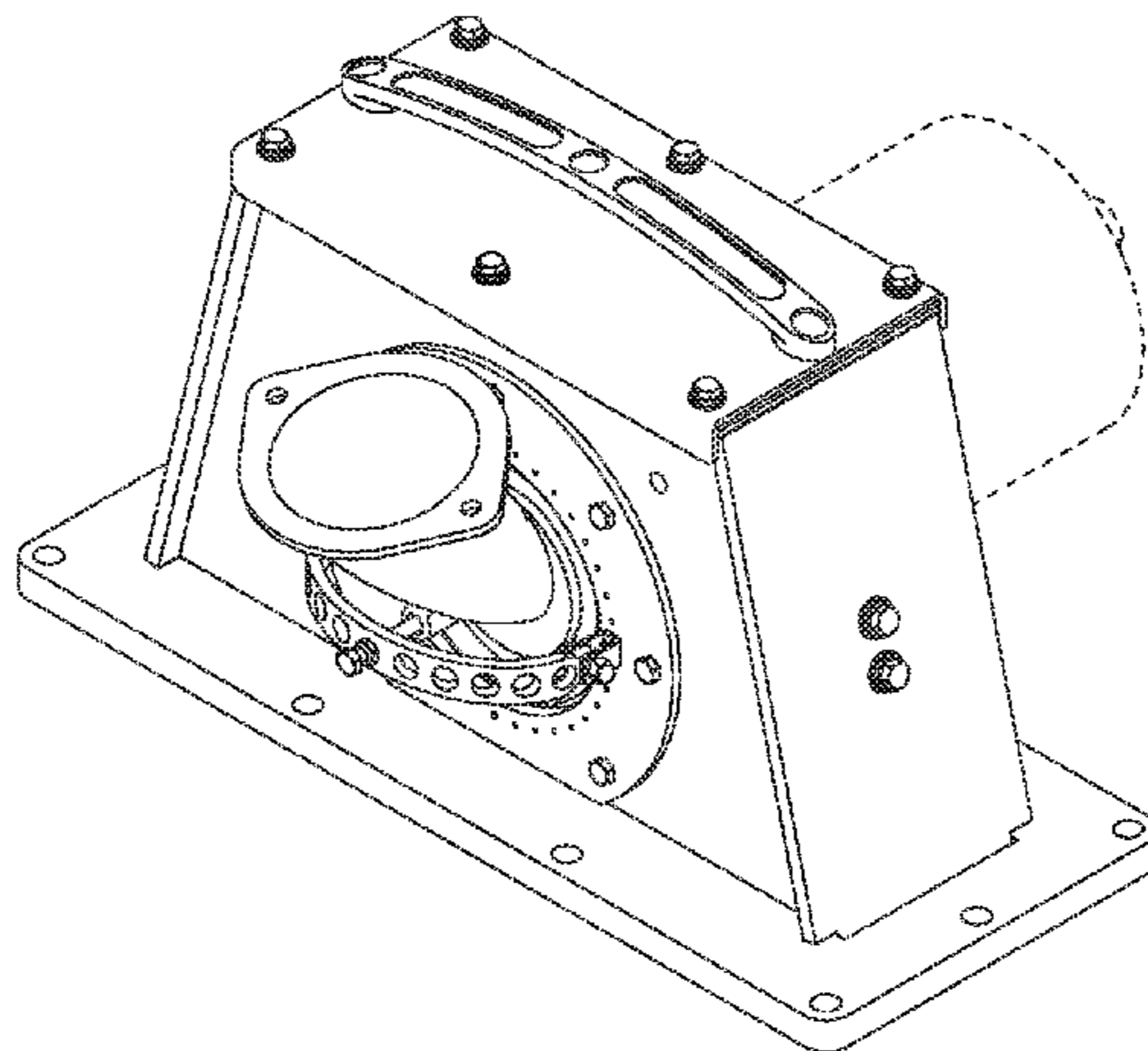


FIG.1

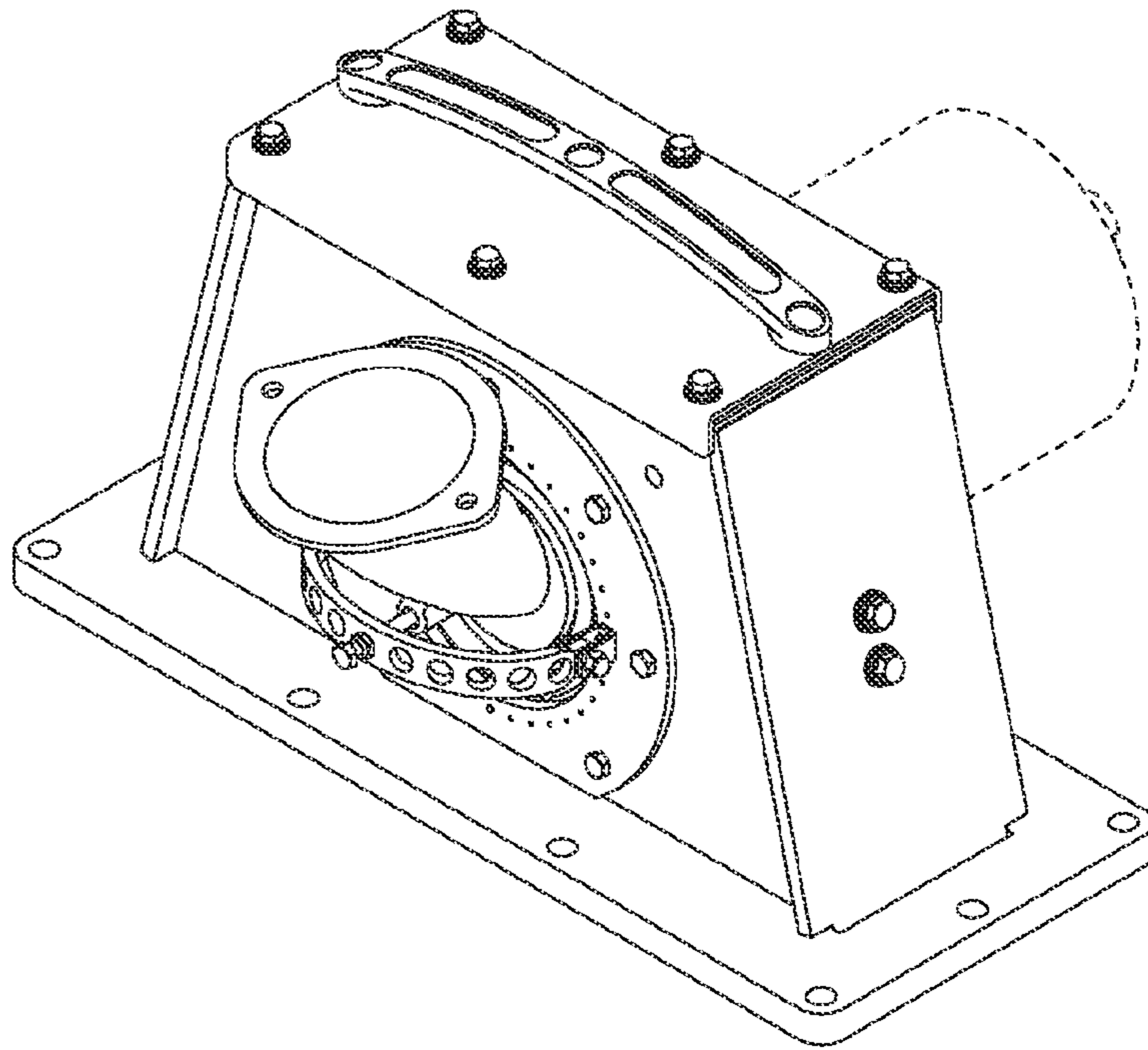


FIG.2

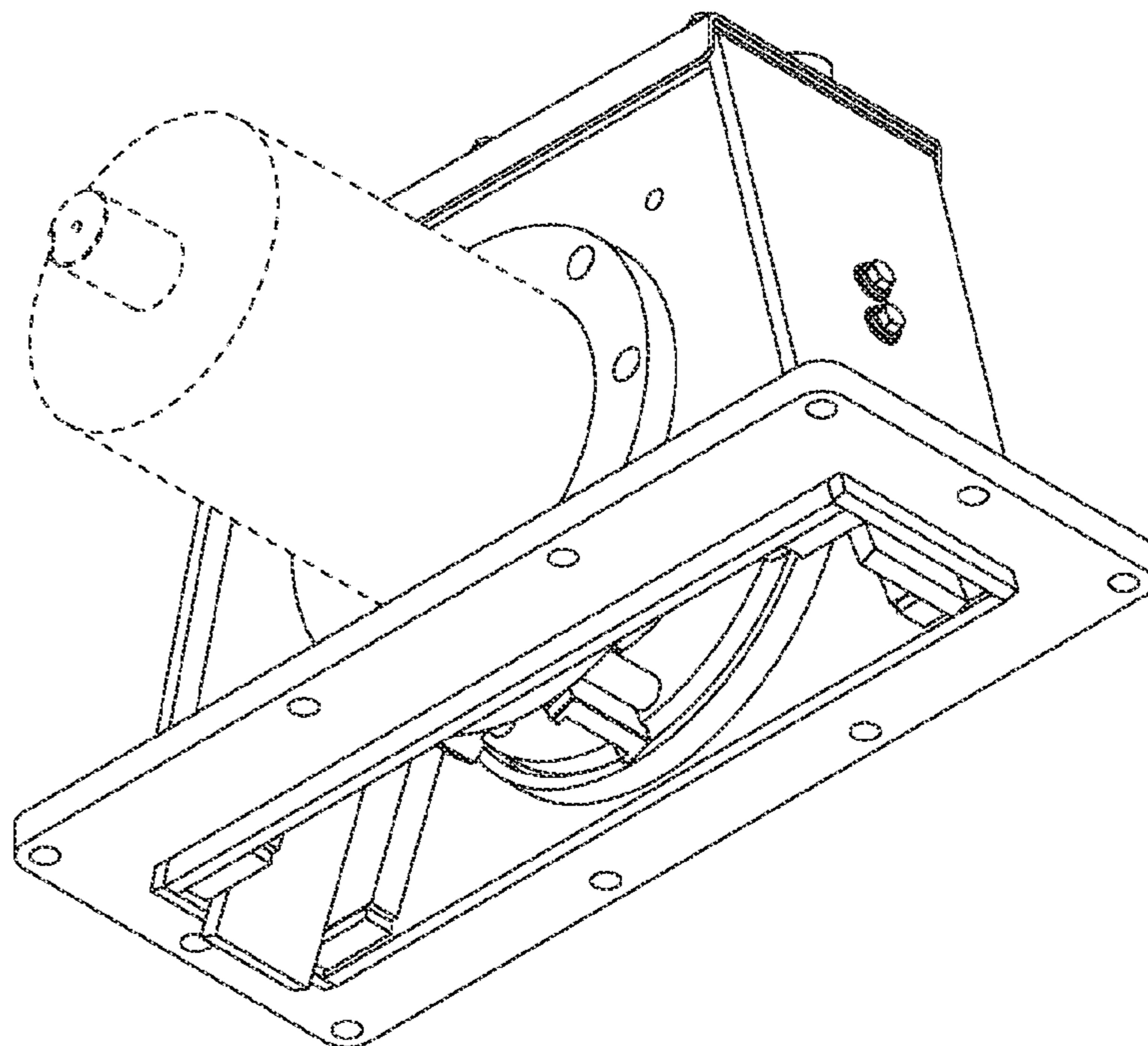


FIG.3

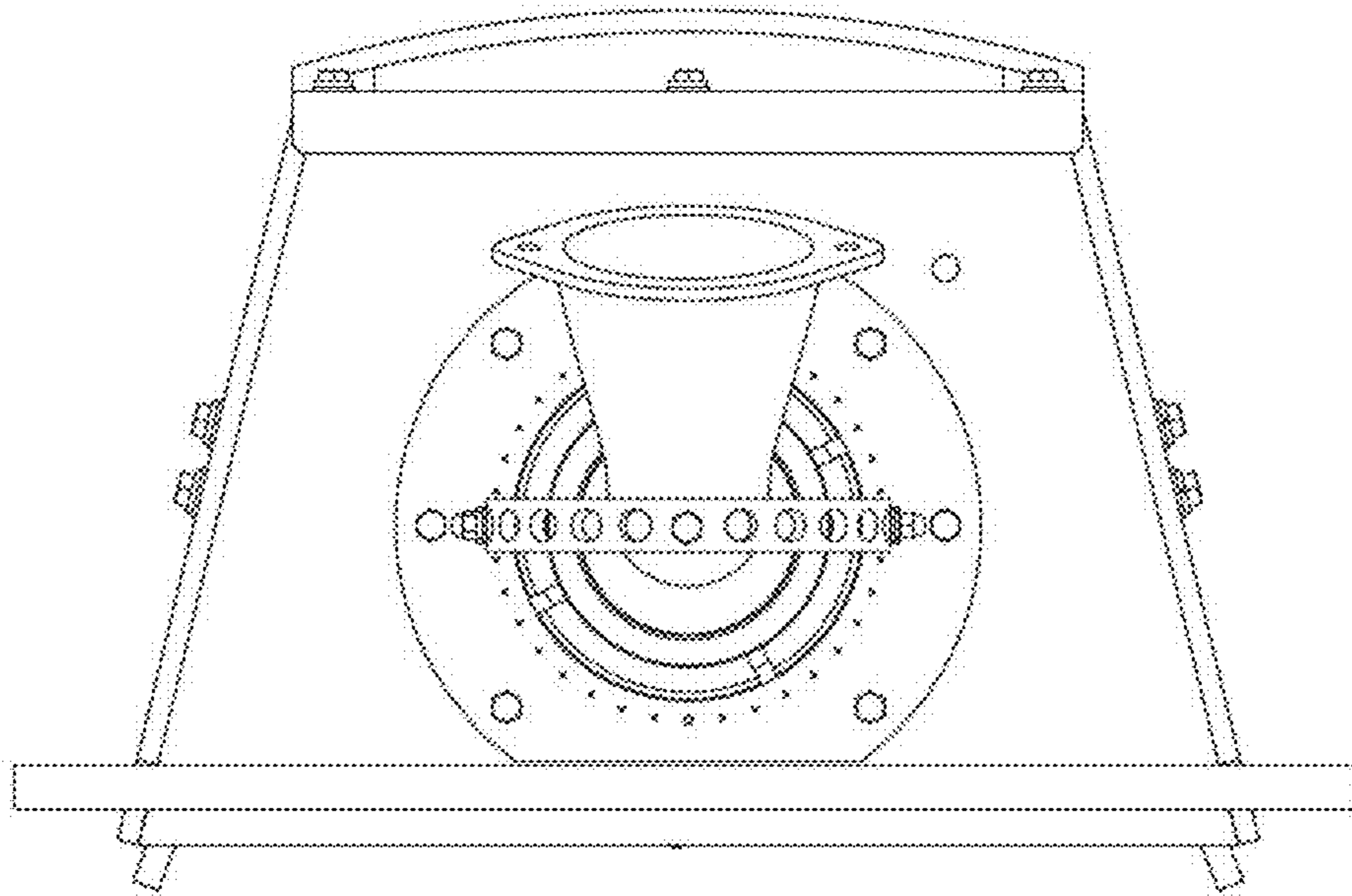


FIG.4

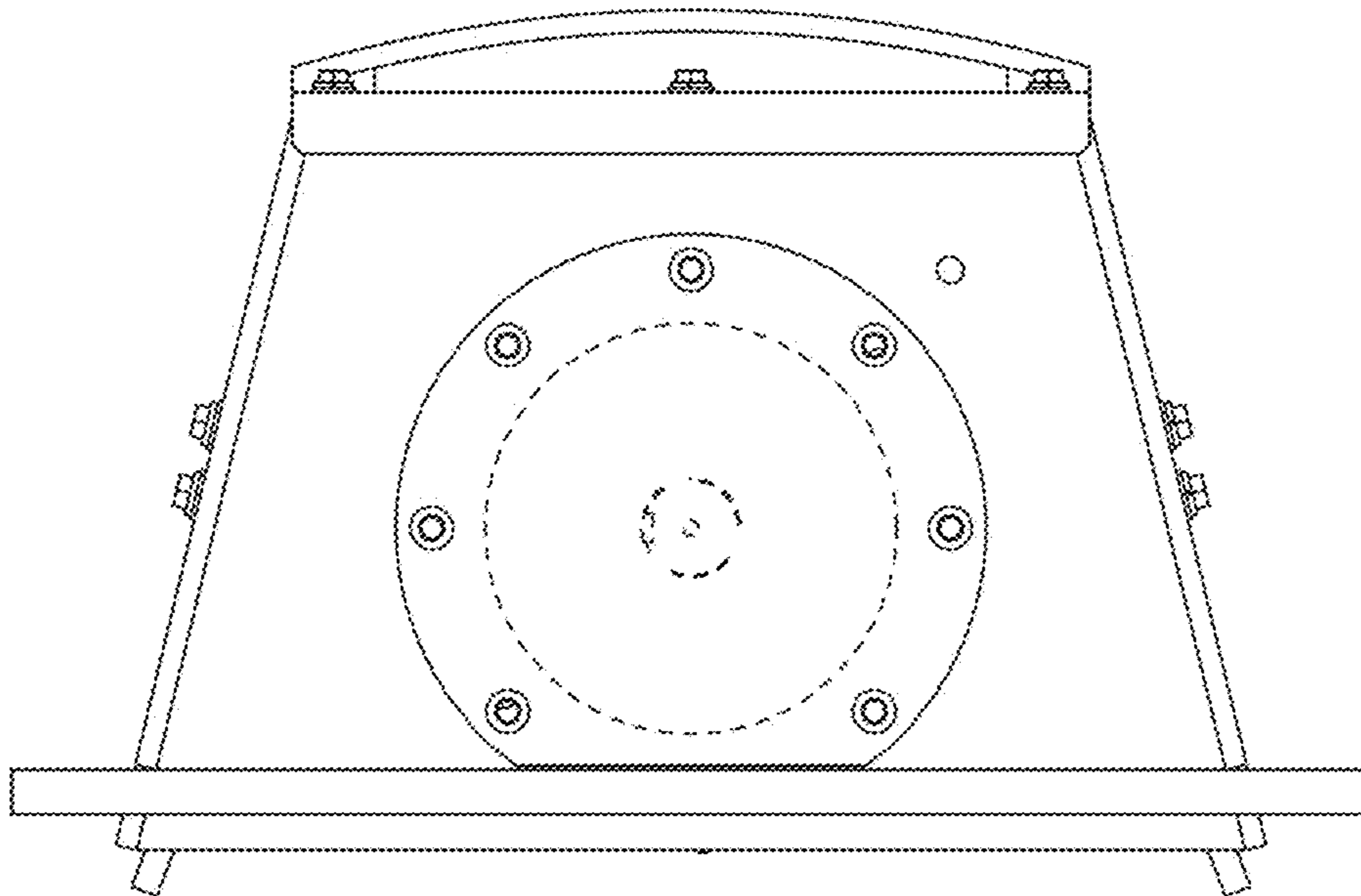


FIG.5

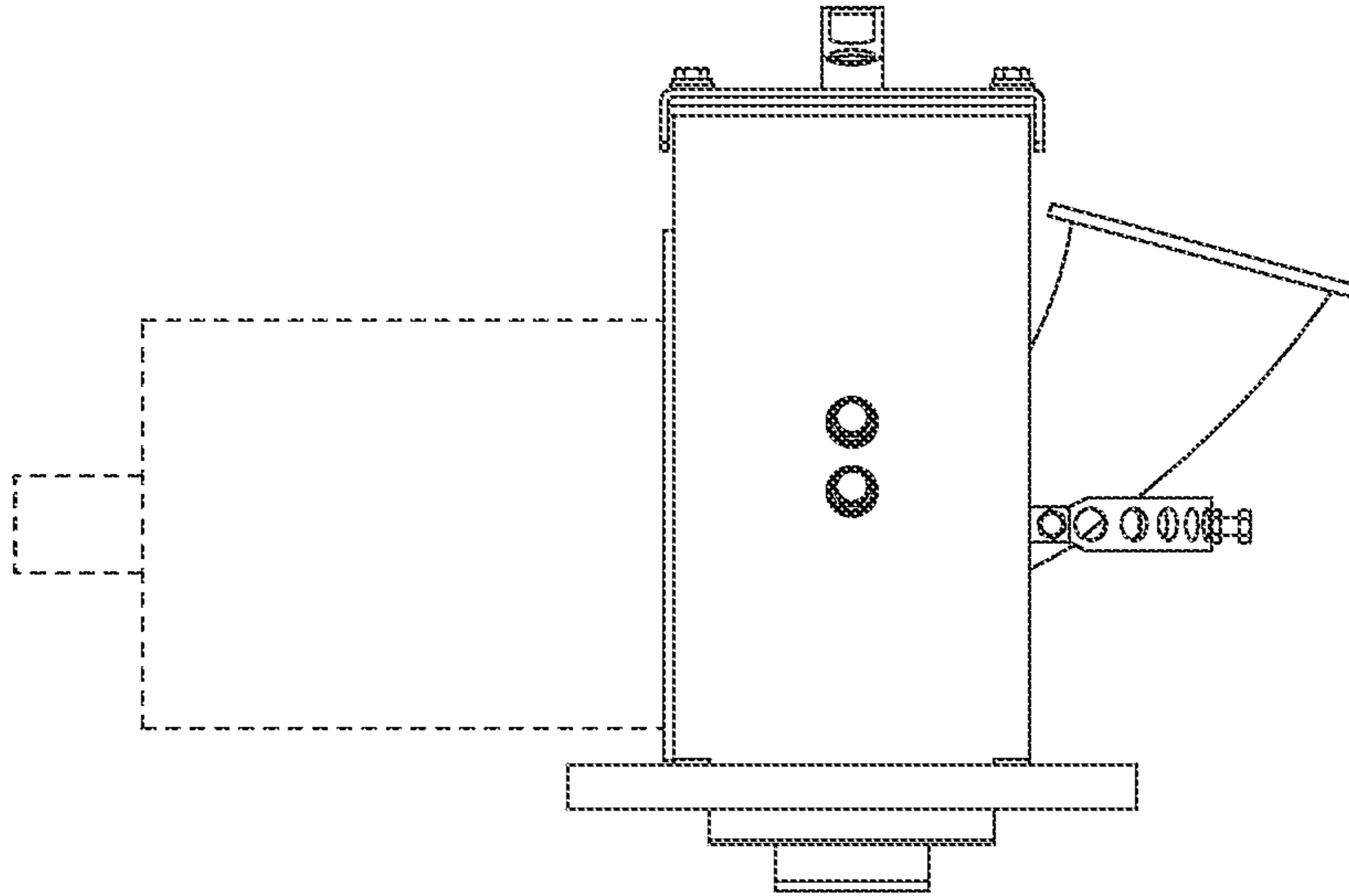


FIG.6

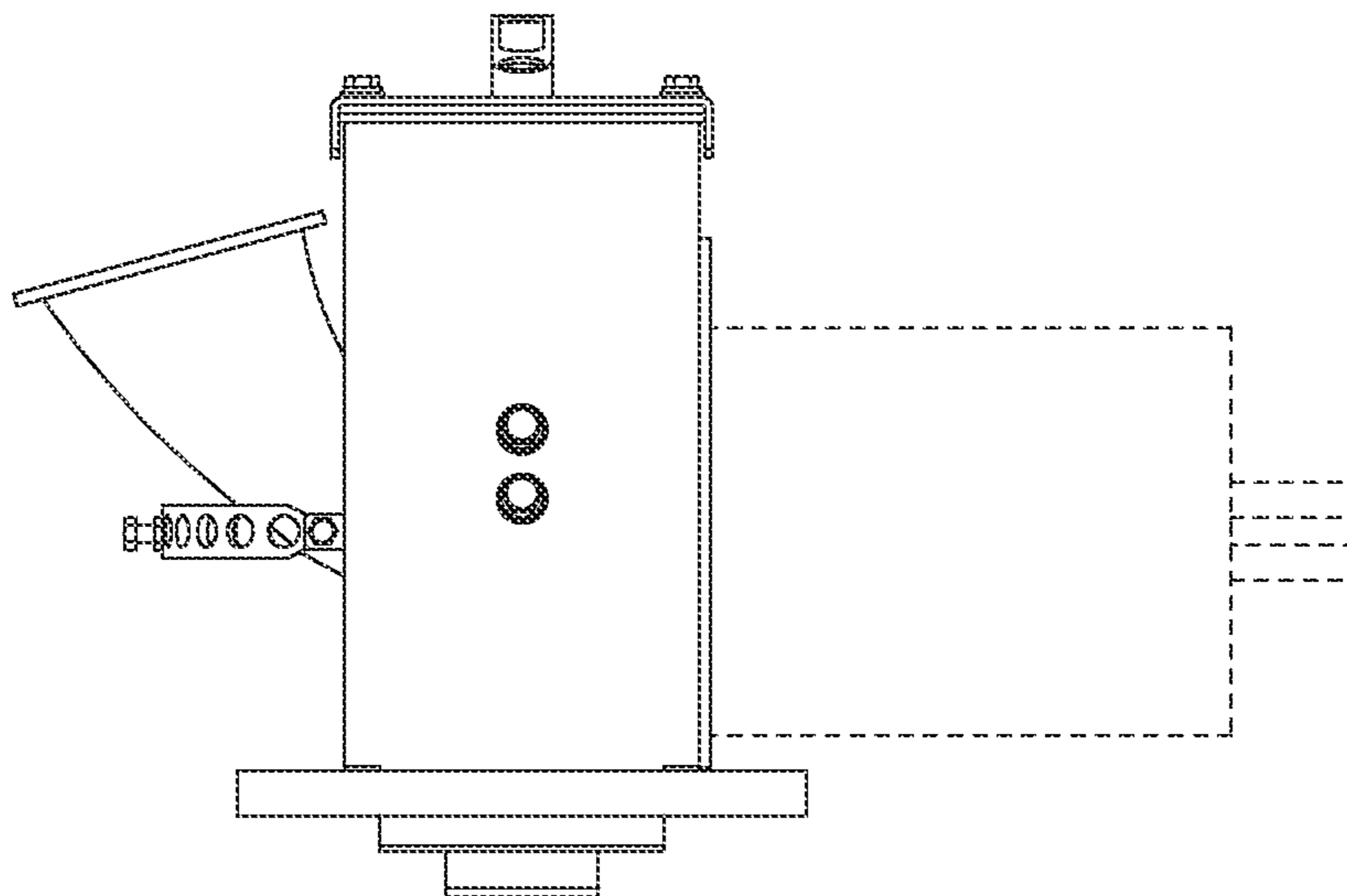


FIG. 7

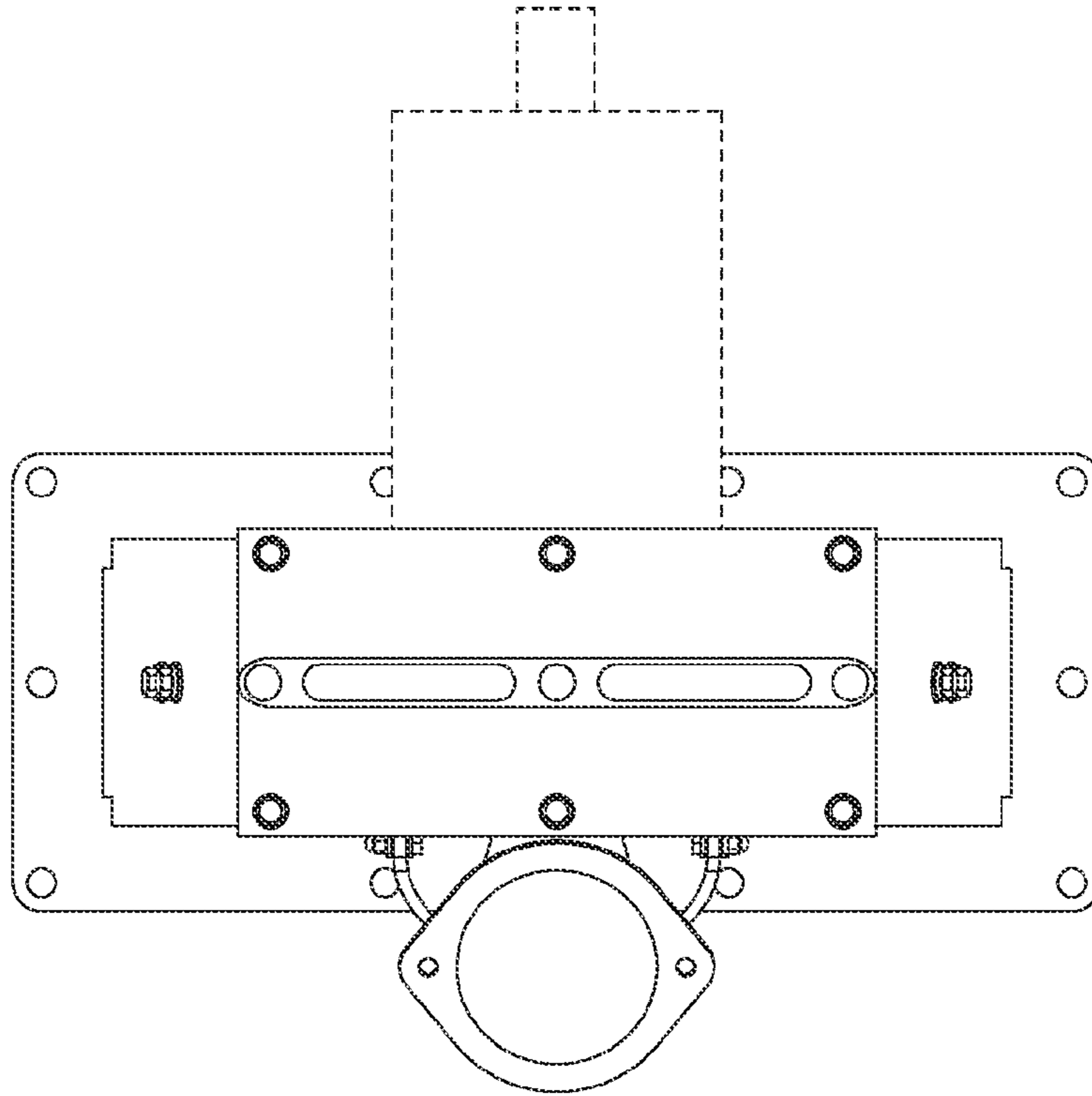


FIG. 8

