



US00D752662S

(12) **United States Design Patent**
Hoop

(10) **Patent No.:** **US D752,662 S**
(45) **Date of Patent:** **** Mar. 29, 2016**

(54) **CHANGE MODULE**

(71) Applicant: **Hilti Aktiengesellschaft, Schaan (LI)**

(72) Inventor: **Matthaeus Hoop, Eschen (LI)**

(73) Assignee: **Hilti Aktiengesellschaft, Schaan (LI)**

(**) Term: **14 Years**

(21) Appl. No.: **29/481,448**

(22) Filed: **Feb. 6, 2014**

(30) **Foreign Application Priority Data**

Aug. 9, 2013 (WO) DM/081 539

(51) **LOC (10) Cl.** **15-09**

(52) **U.S. Cl.**
USPC **D15/138**

(58) **Field of Classification Search**
USPC D15/28, 138, 139
See application file for complete search history.

(56) **References Cited**

U.S. PATENT DOCUMENTS

- 4,208,154 A * 6/1980 Gundy B28D 1/041
125/20
- 5,218,888 A * 6/1993 Merrill B23B 51/0406
408/204
- D342,270 S * 12/1993 Kwang D15/139
- 5,996,571 A * 12/1999 Jedick B28D 1/041
125/20
- 6,033,295 A * 3/2000 Fisher B24D 3/06
125/15
- 6,192,875 B1 * 2/2001 Koroku B28D 1/041
125/20
- D466,139 S * 11/2002 Kim D15/139
- D481,045 S * 10/2003 Ahn D15/139
- 7,101,128 B2 * 9/2006 Hansson B23B 29/046
407/40

- D541,831 S * 5/2007 Miyanaga D15/139
- D560,699 S * 1/2008 Omi D15/139
- 7,628,228 B2 * 12/2009 Drivdahl E21B 10/02
175/403
- 7,641,004 B2 * 1/2010 Lapointe B28D 1/041
175/405.1
- D647,114 S * 10/2011 Pearce D15/139
- D647,115 S * 10/2011 Pearce D15/139
- D647,546 S * 10/2011 Omi D15/139
- D656,168 S * 3/2012 Omi D15/139
- 8,459,381 B2 * 6/2013 Pearce E21B 10/02
175/403
- D705,282 S * 5/2014 Jones, Jr. D15/139
- 9,051,786 B2 * 6/2015 Lambert E21B 10/02
- 9,097,067 B2 * 8/2015 Gosamo B23B 51/0466

* cited by examiner

Primary Examiner — Patricia Palasik

(74) *Attorney, Agent, or Firm* — Crowell & Moring LLP

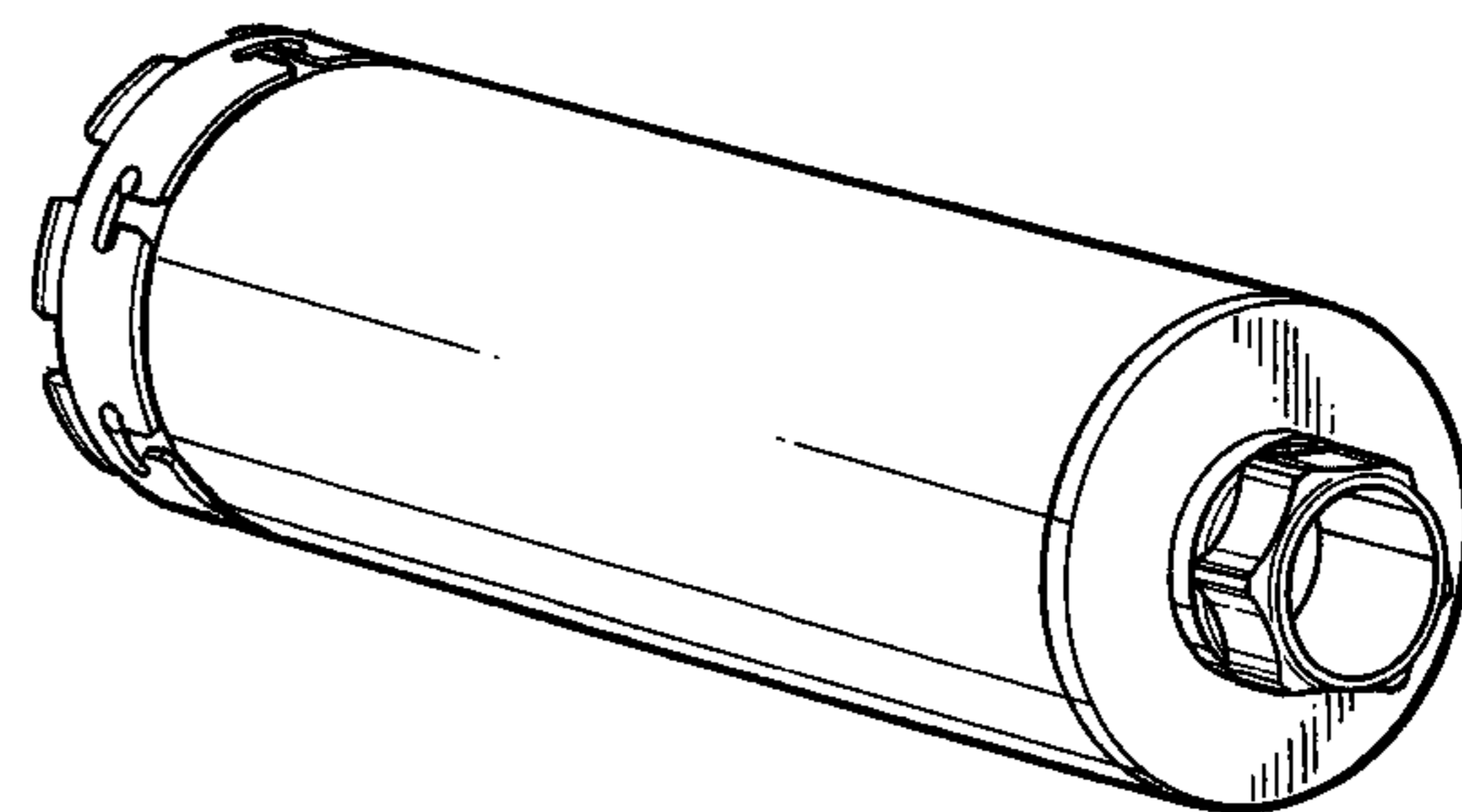
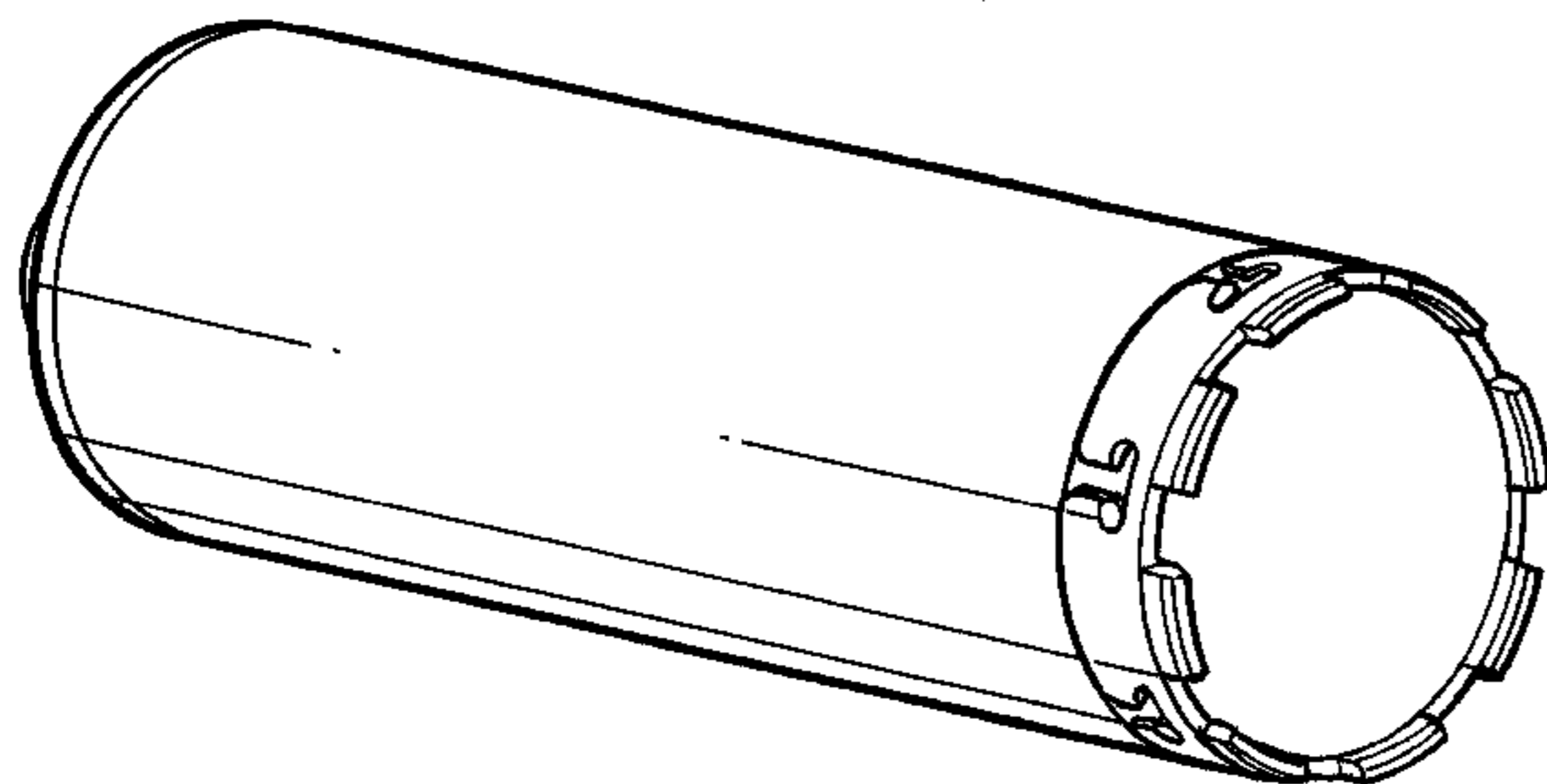
(57) **CLAIM**

The ornamental design for a change module, as shown and described.

DESCRIPTION

FIG. 1 is a top perspective view of a first embodiment of a change module according to the design;
 FIG. 2 is bottom perspective view thereof;
 FIG. 3 is a side view thereof;
 FIG. 4 is an additional side view thereof;
 FIG. 5 is a bottom view thereof; and
 FIG. 6 is a top view thereof.
 FIG. 7 is a top perspective view of a second embodiment of the change module according to the design;
 FIG. 8 is bottom perspective view thereof;
 FIG. 9 is a side view thereof;
 FIG. 10 is an additional side view thereof;
 FIG. 11 is a bottom view thereof; and
 FIG. 12 is a top view thereof.

1 Claim, 5 Drawing Sheets



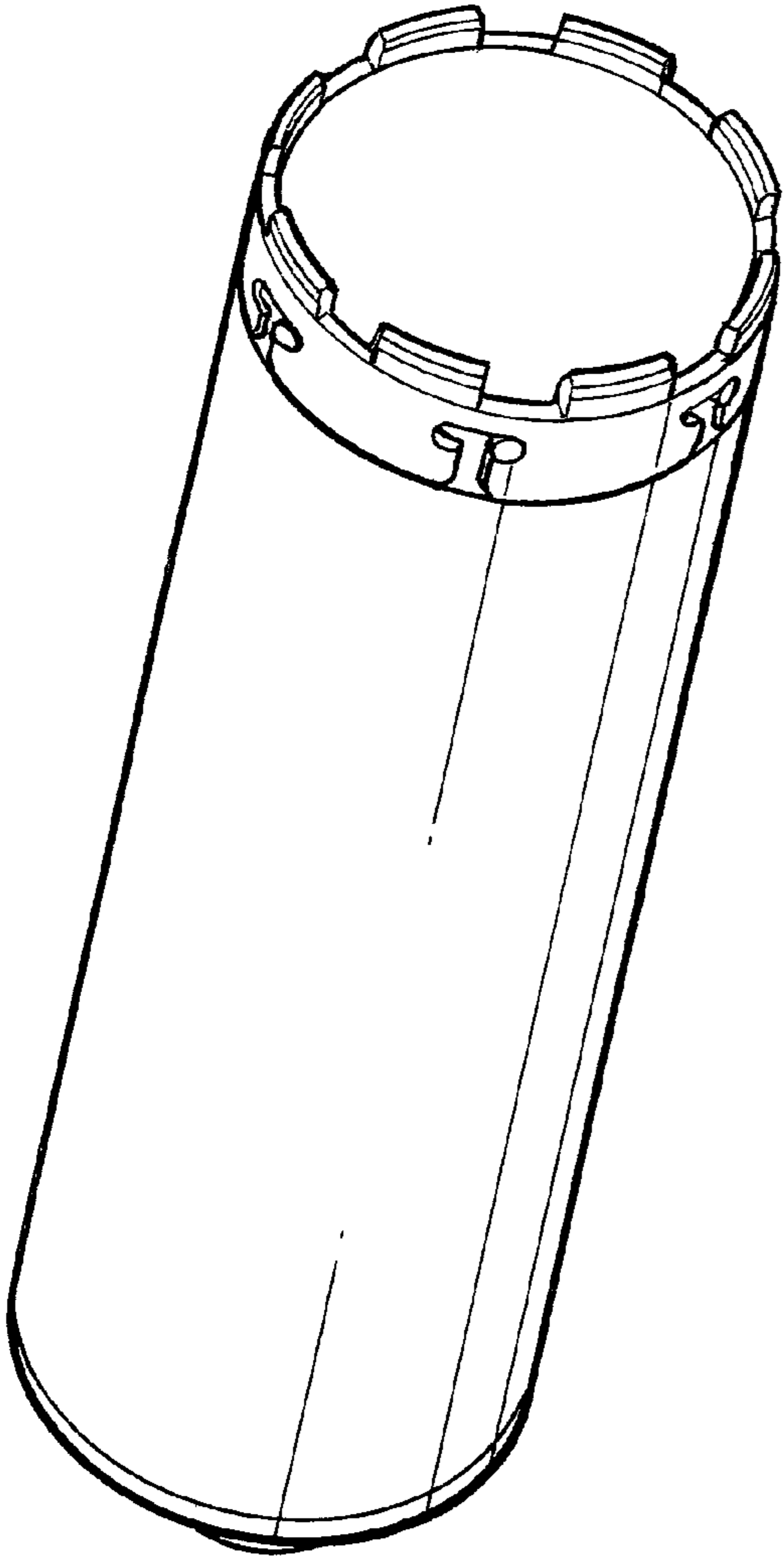


FIG. 1

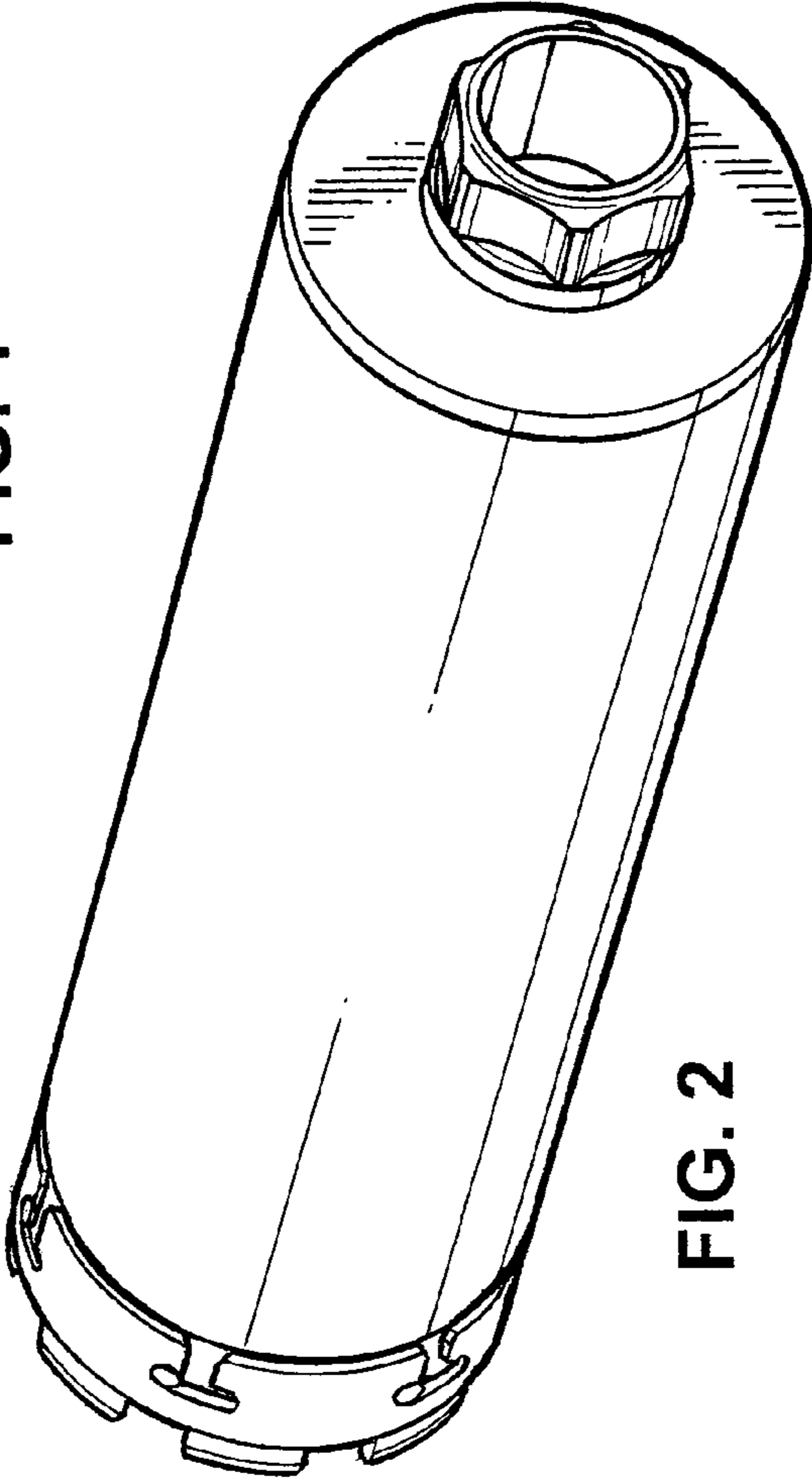


FIG. 2

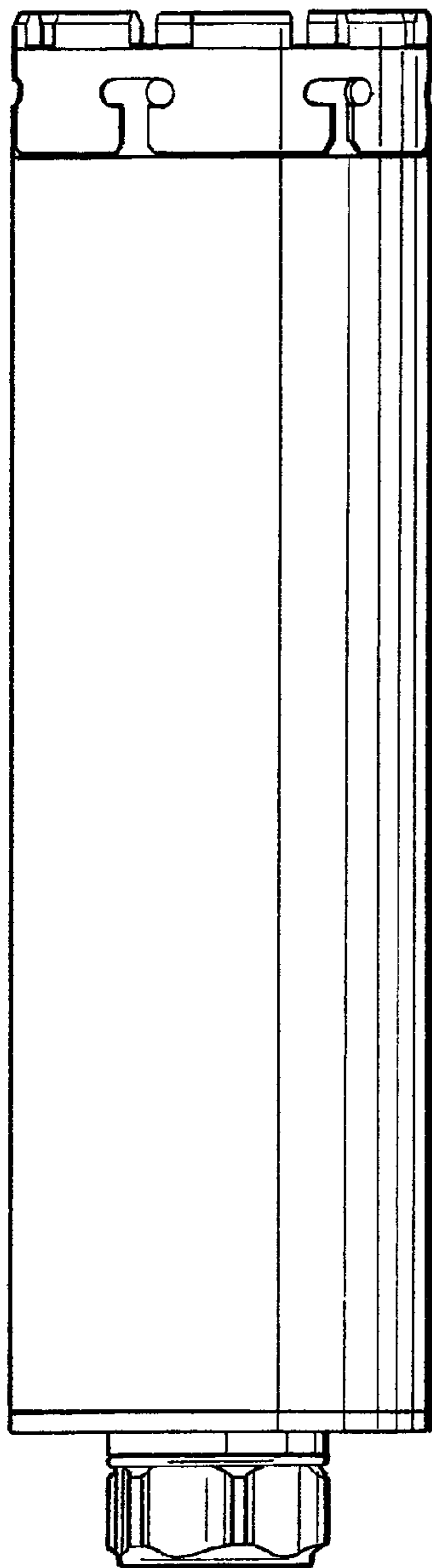


FIG. 3

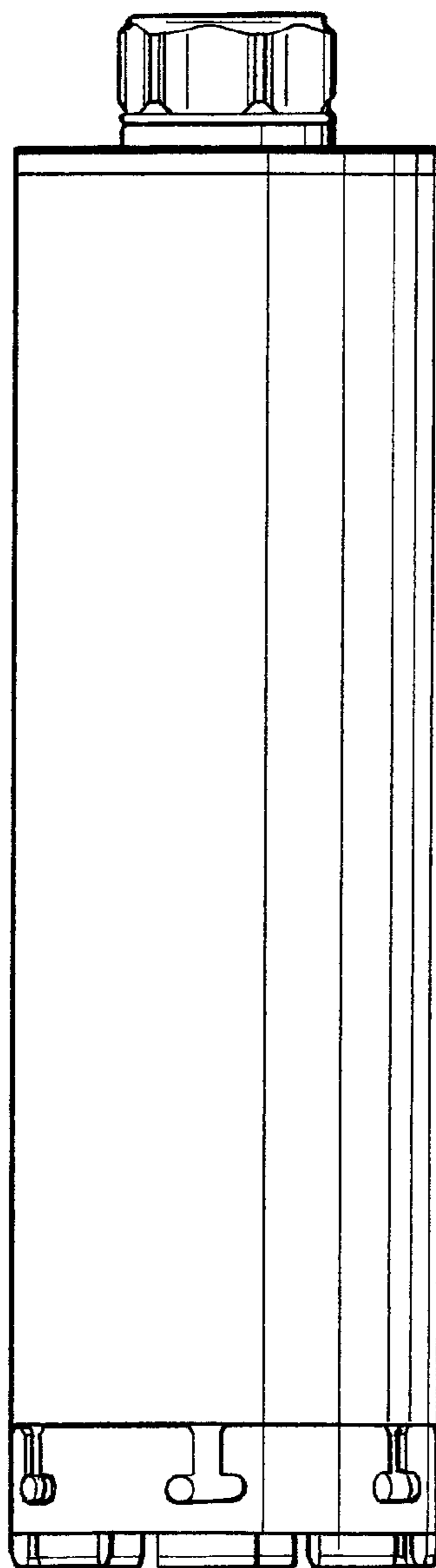


FIG. 4

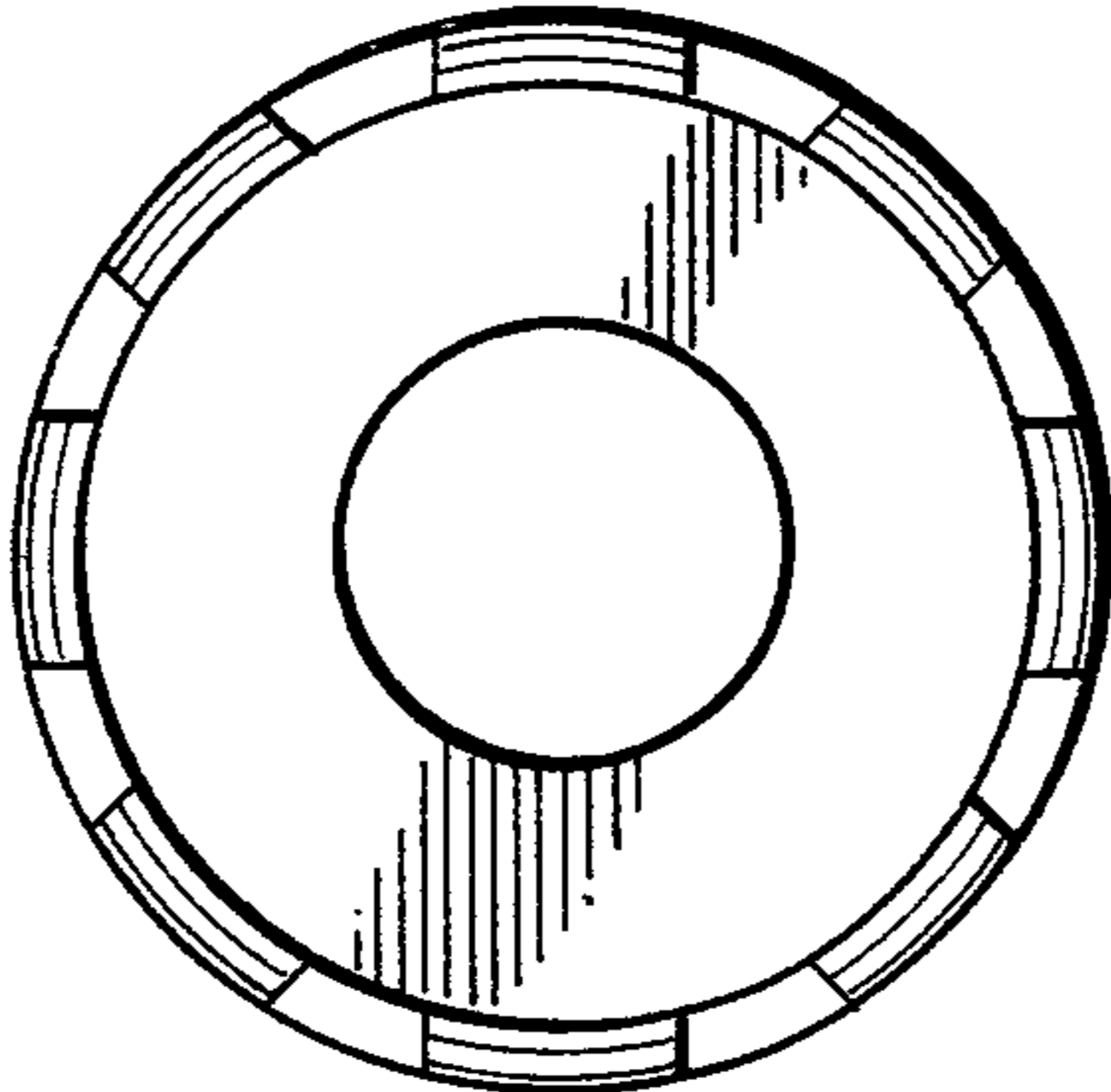


FIG. 6

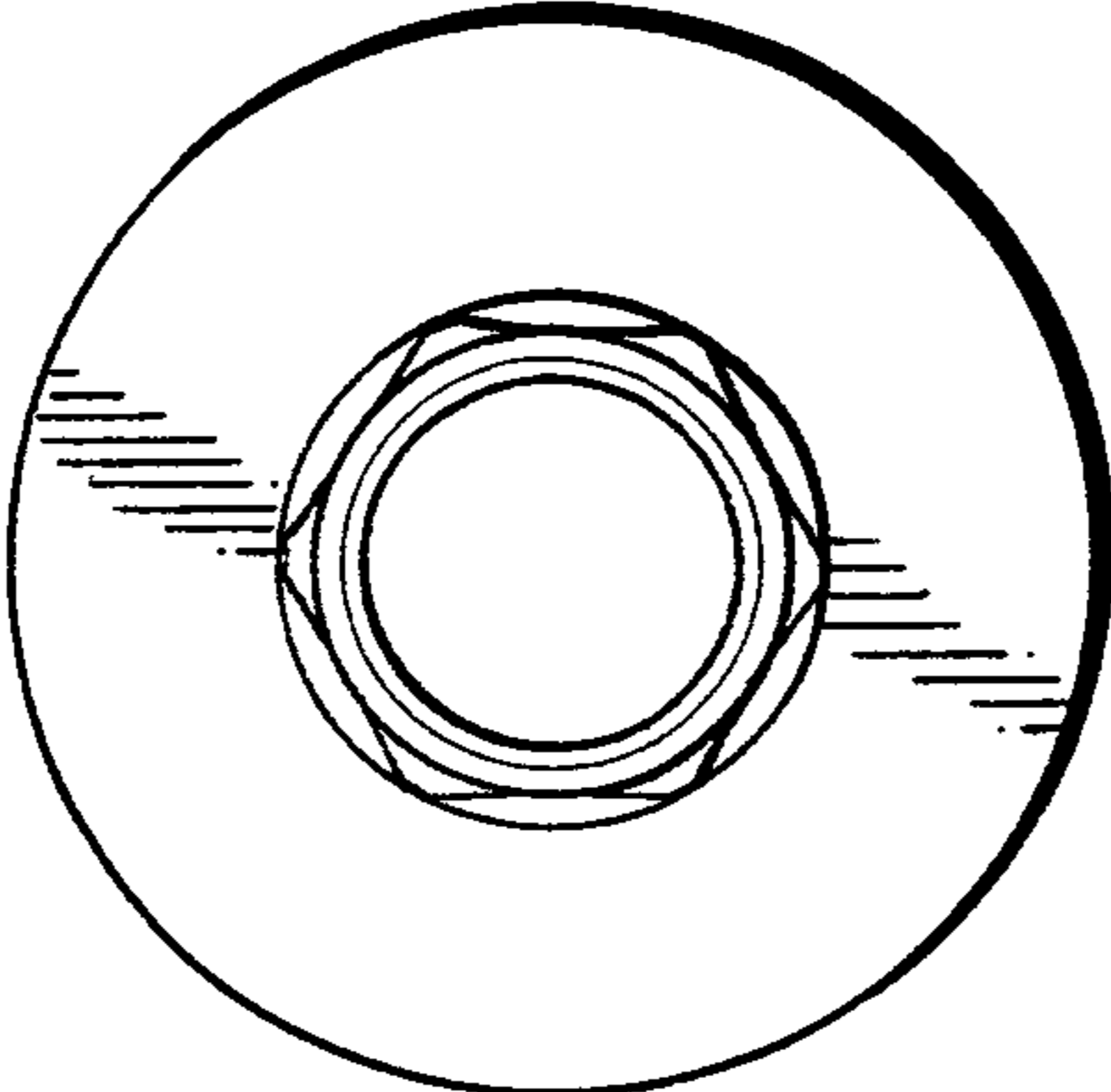


FIG. 5

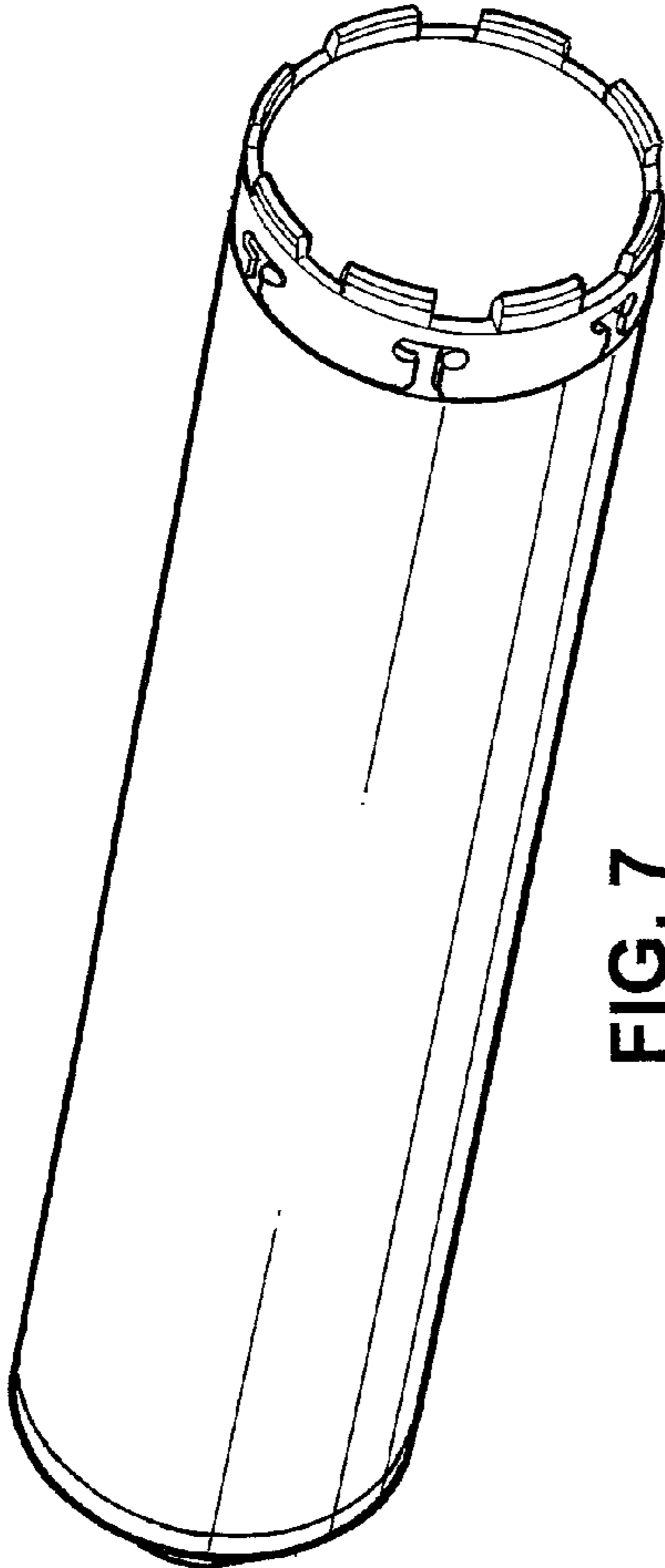


FIG. 7

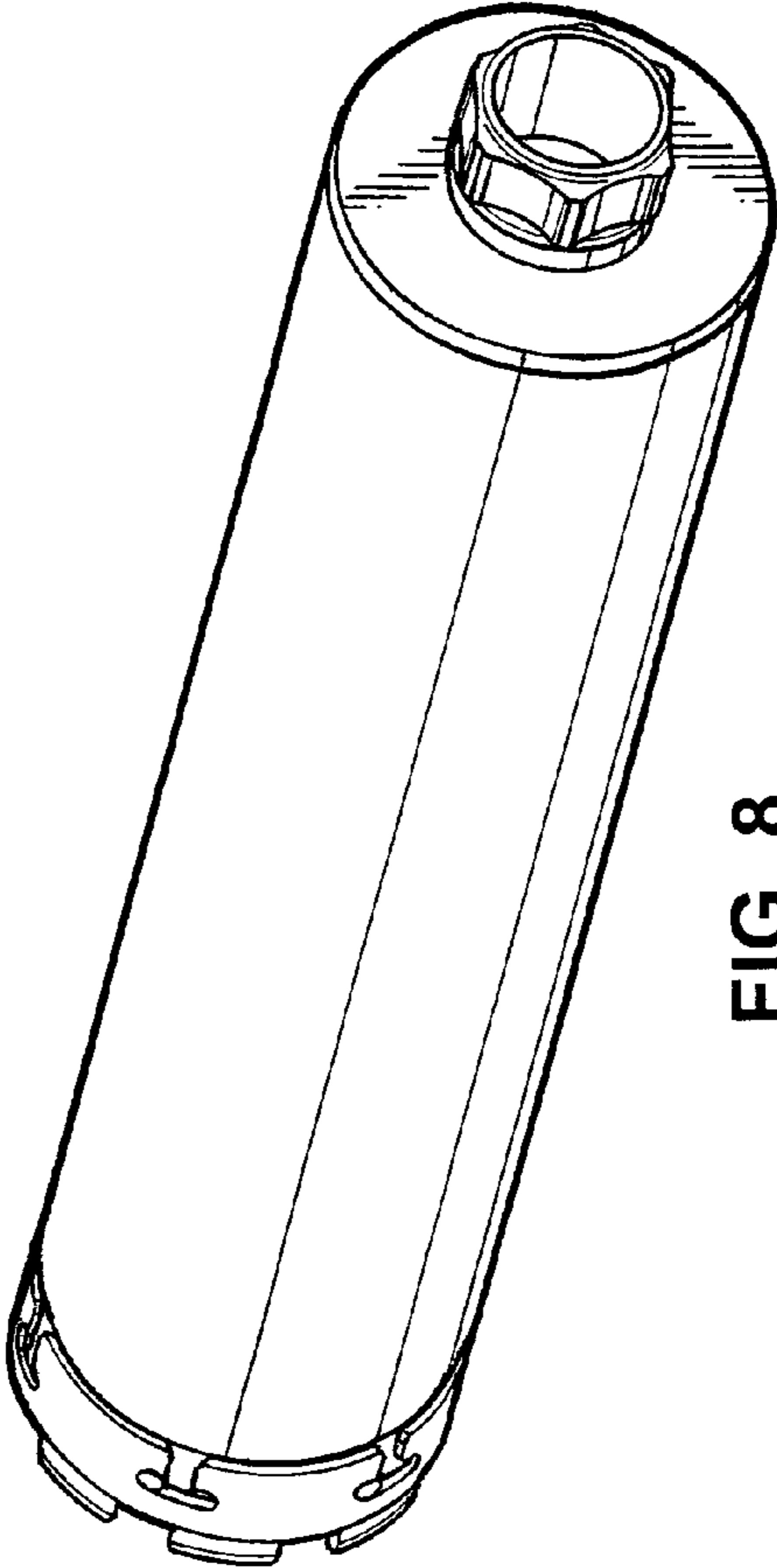


FIG. 8

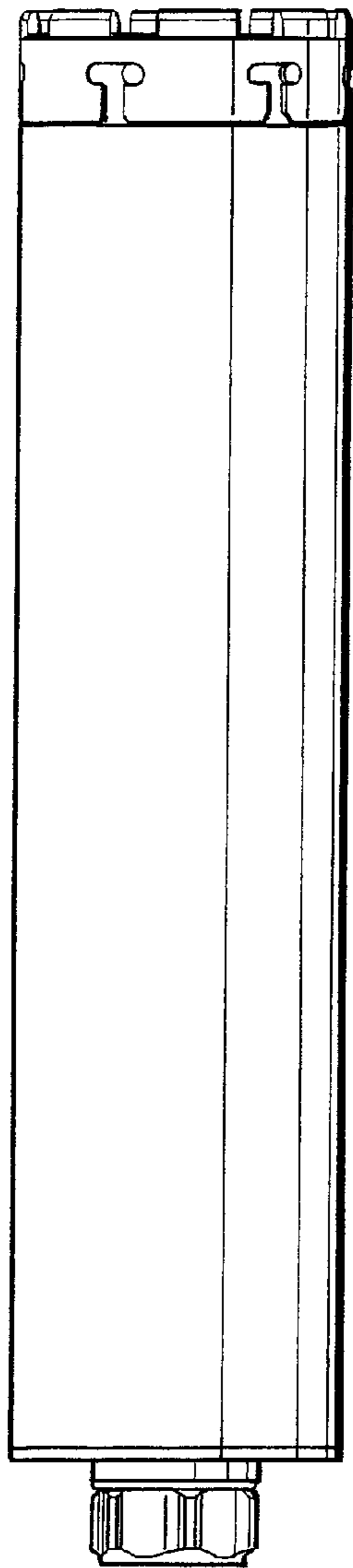


FIG. 9

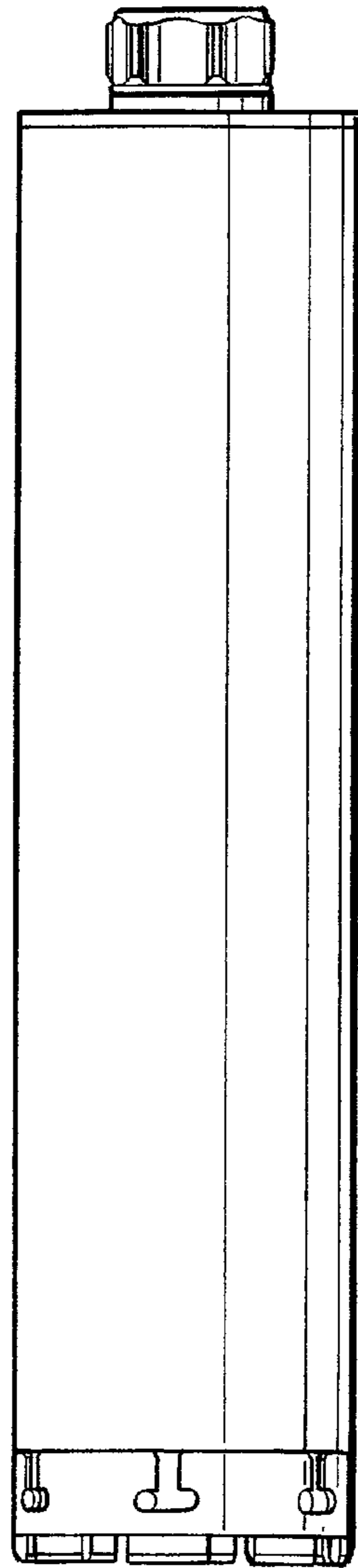


FIG. 10

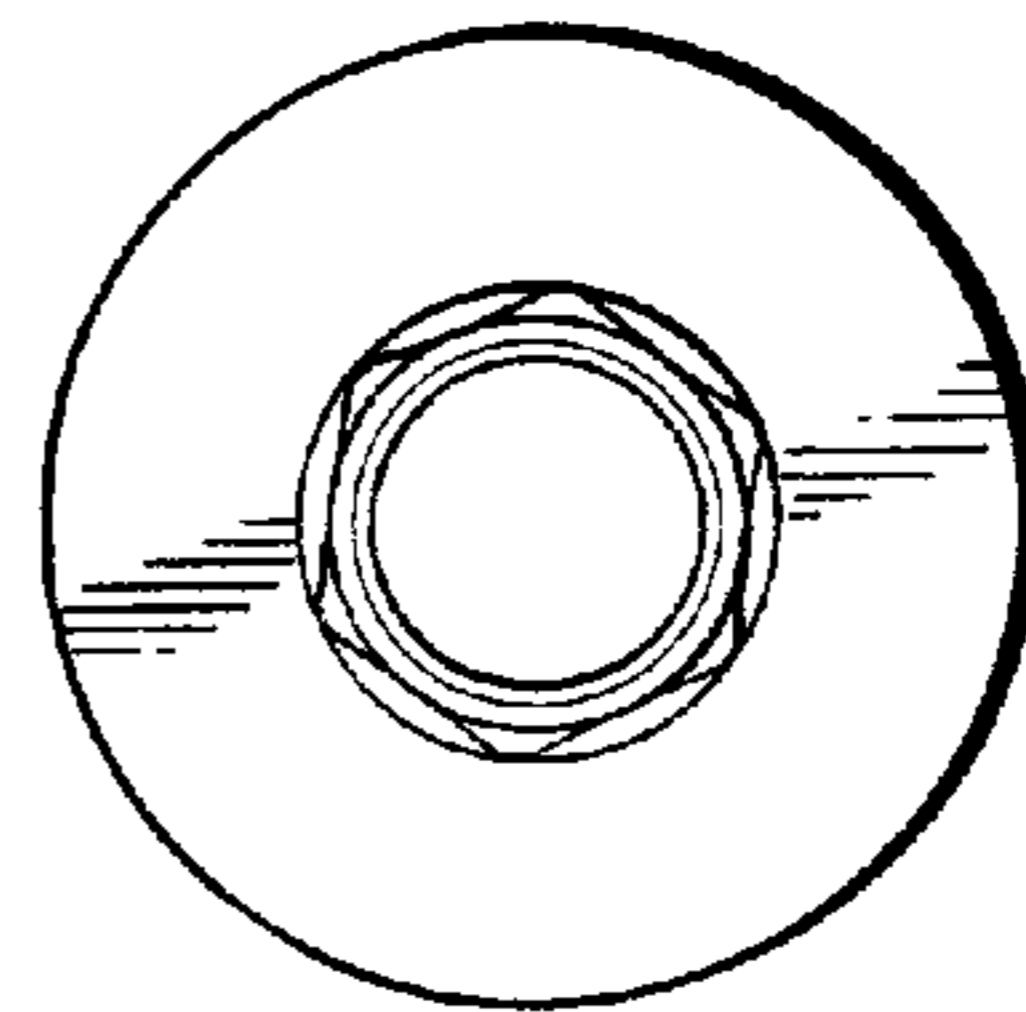


FIG. 11

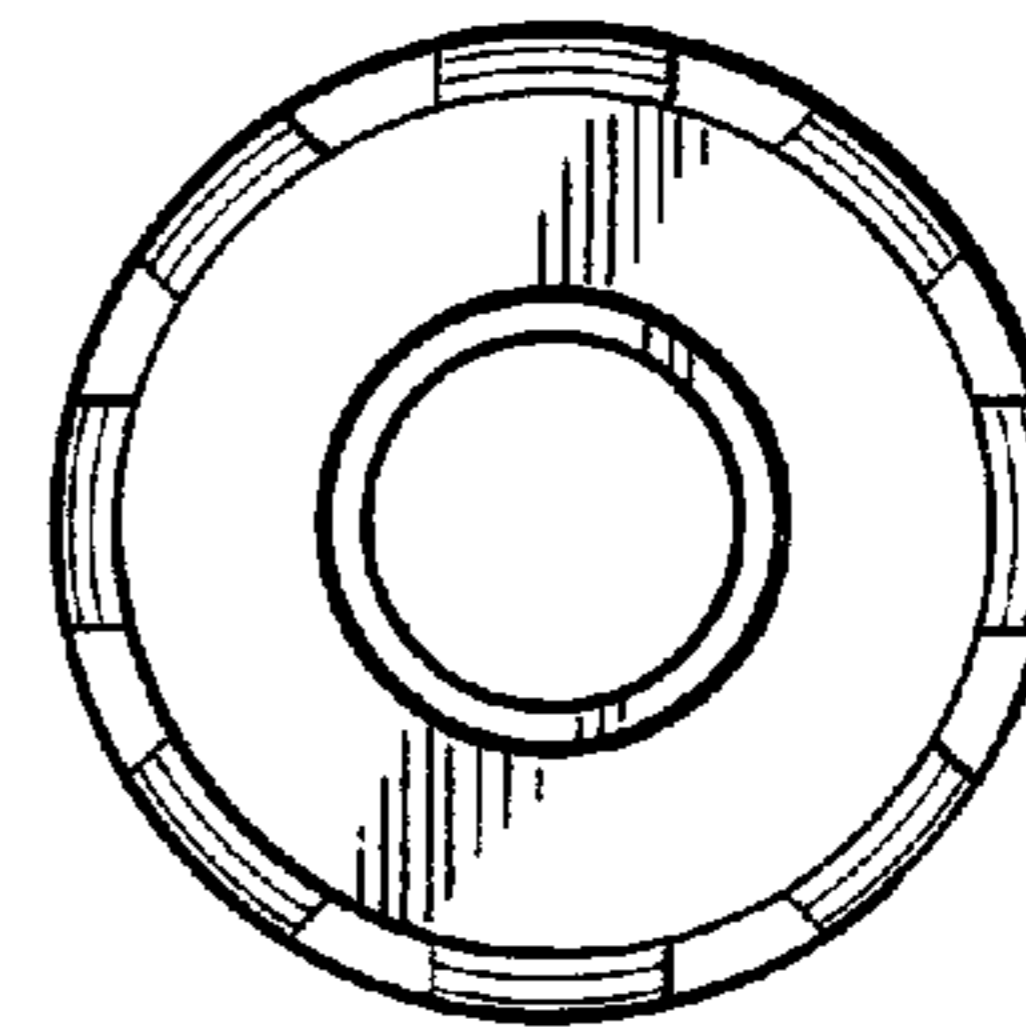


FIG. 12