



US00D752659S

(12) **United States Design Patent**
Schneider et al.

(10) **Patent No.:** **US D752,659 S**

(45) **Date of Patent:** **** Mar. 29, 2016**

(54) **LONG ARM SEWING MACHINE FOR QUILTS**

(56) **References Cited**

(71) Applicant: **BERNINA International AG**,
Steckborn (CH)

U.S. PATENT DOCUMENTS

(72) Inventors: **Patrick Schneider**, Nussbaumen (CH);
Kristine Wassung, Ulm (DE); **Peter
Tippl**, Ulm (DE); **Frank Prufer**,
Hilzingen (DE); **Jan Janouschek**,
Winterthur (CH); **Hansjorg Herzog**,
Lisle, IL (US)

D232,265	S	7/1974	Laidig	
D298,140	S	10/1988	Miller	
5,711,236	A	1/1998	Badger	
D693,378	S	11/2013	Yamamoto et al.	
D694,783	S	12/2013	Bentley	
D724,112	S	* 3/2015	Neel D15/69
D727,372	S	* 4/2015	Dreschsel D15/69
D727,373	S	* 4/2015	Drechsel D15/69
D735,249	S	* 7/2015	Harada D15/69

(73) Assignee: **BERNINA International AG**,
Steckborn (CH)

* cited by examiner

(**) Term: **14 Years**

Primary Examiner — Daniel Bui

Assistant Examiner — Khawaja Anwar

(21) Appl. No.: **29/525,813**

(74) *Attorney, Agent, or Firm* — Volpe and Koenig, P.C.

(22) Filed: **May 4, 2015**

(57) **CLAIM**

The ornamental design for a long arm sewing machine for quilts, as shown and described.

Related U.S. Application Data

DESCRIPTION

(62) Division of application No. 29/470,242, filed on Oct. 18, 2013.

(51) **LOC (10) Cl.** **15-06**

(52) **U.S. Cl.**
USPC **D15/69**

(58) **Field of Classification Search**
USPC D15/66, 67, 68, 69, 70, 71; D3/18, 28;
D21/527

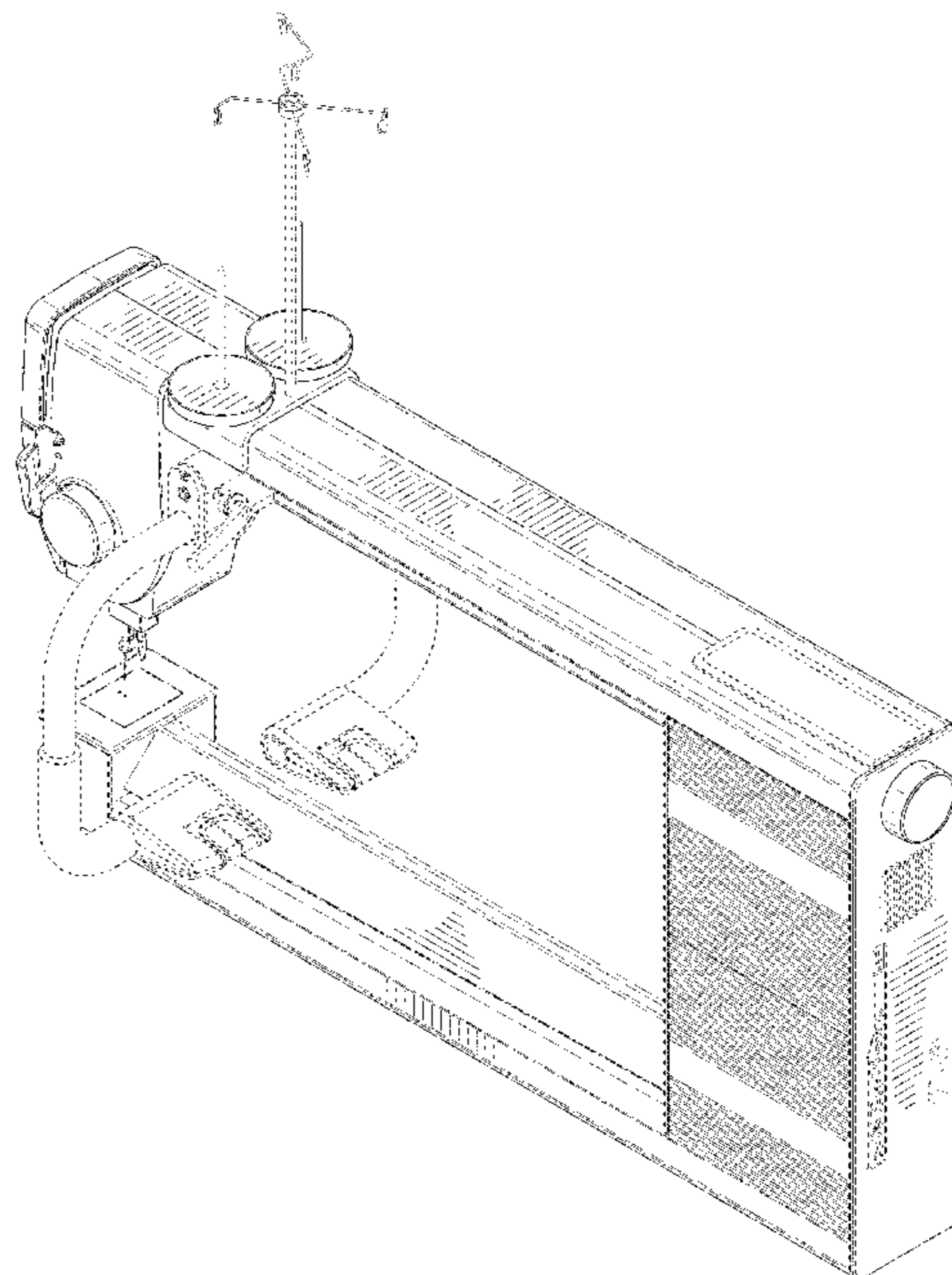
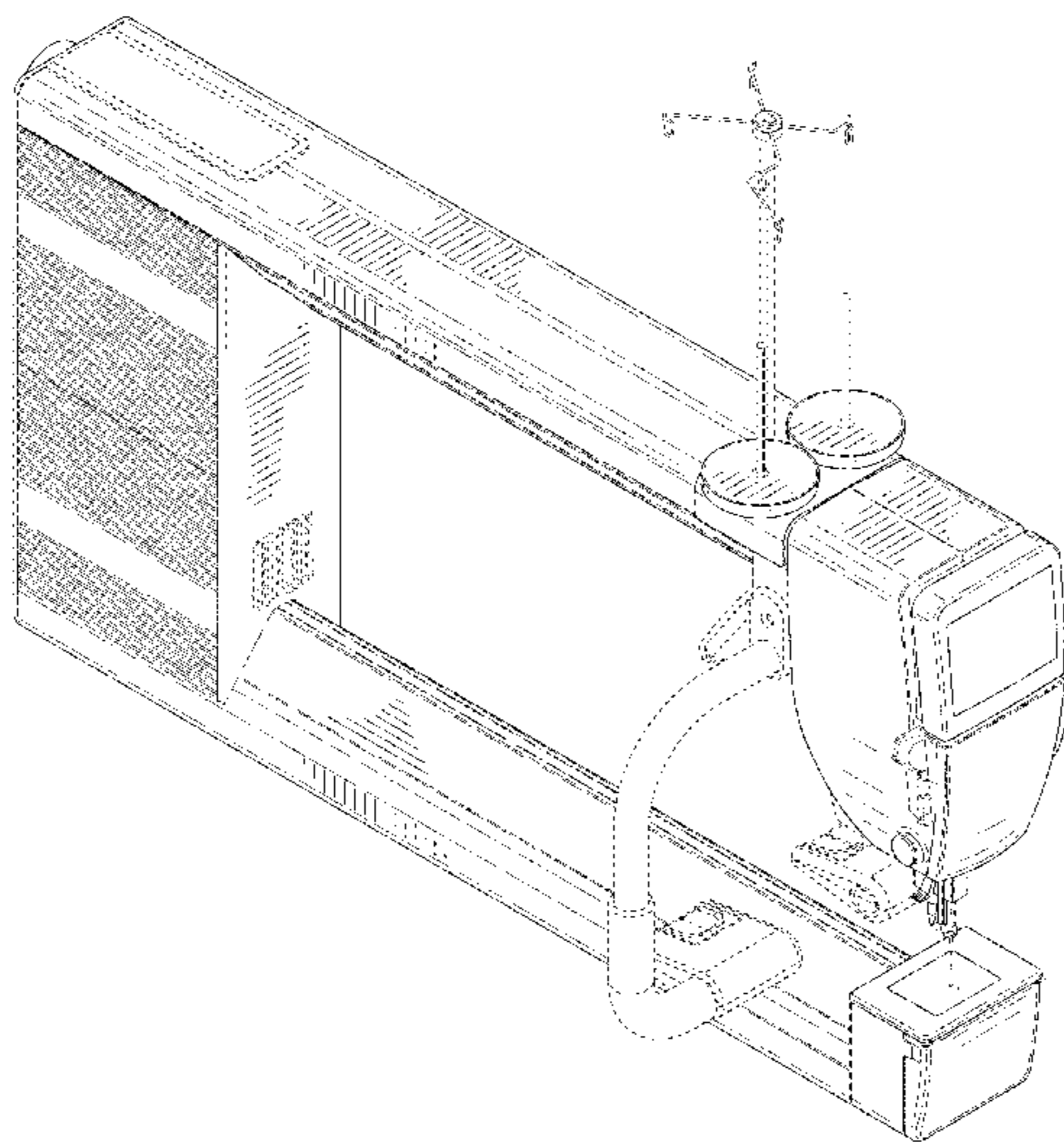
CPC D05B 1/02; D05B 1/04; D05B 1/06;
D05B 1/08; D05B 1/10; D05B 1/12; D05B
1/14; D05B 1/16; D05B 3/02; D05B 3/04;
D05B 11/00; D05B 11/005

See application file for complete search history.

FIG. 1 is a top, front, left perspective view of a long arm sewing machine for quilts, showing our new design; FIG. 2 is a top, back, right perspective view thereof; FIG. 3 is a top plan view thereof; FIG. 4 is a bottom plan view thereof; FIG. 5 is a front elevational view thereof; FIG. 6 is a rear elevational view thereof; FIG. 7 is a right side elevational view thereof; and, FIG. 8 is a left side elevational view thereof.

The broken lines in the figure drawings represent unclaimed environment and form no part of the claimed design.

1 Claim, 8 Drawing Sheets



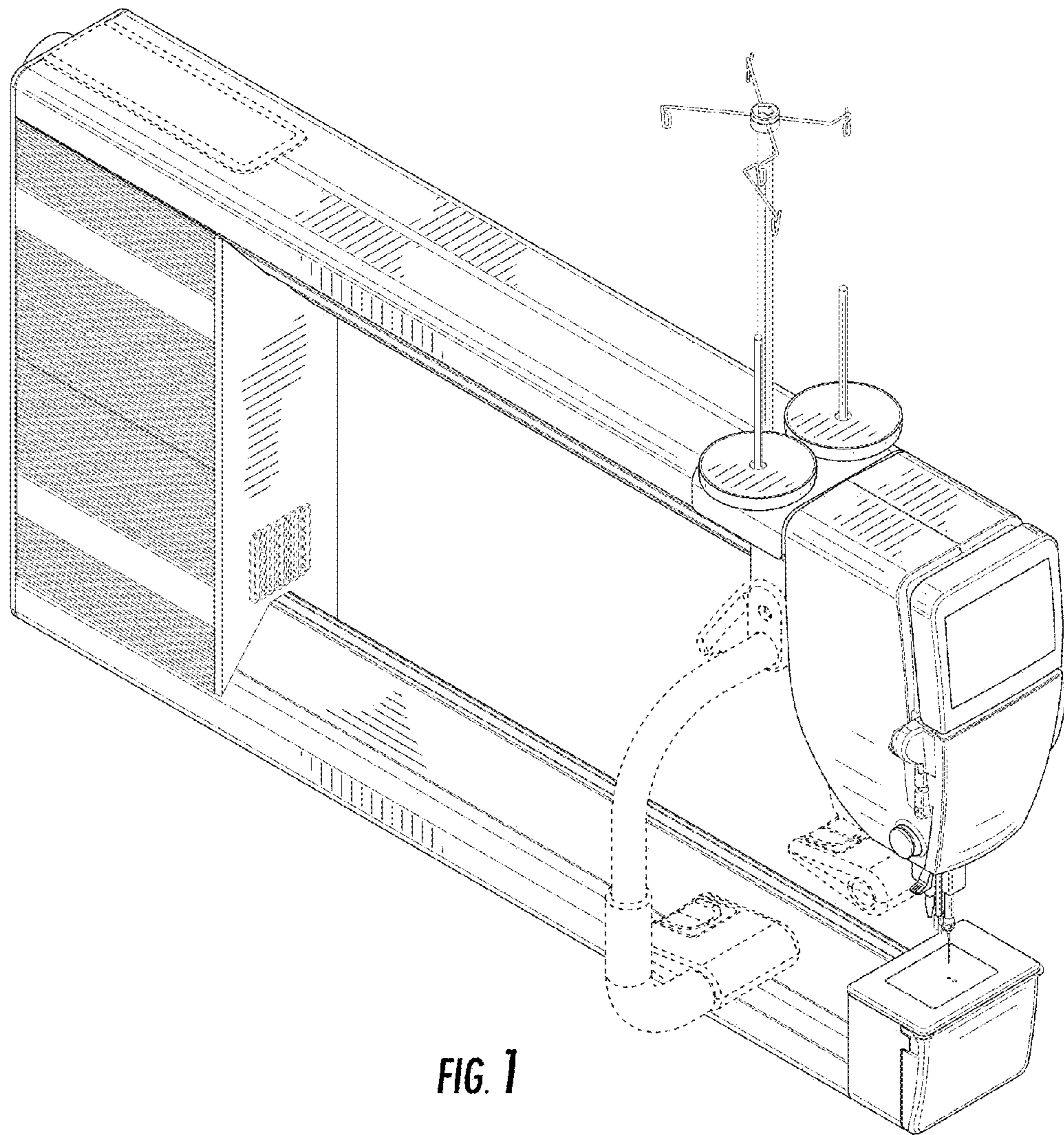


FIG. 1

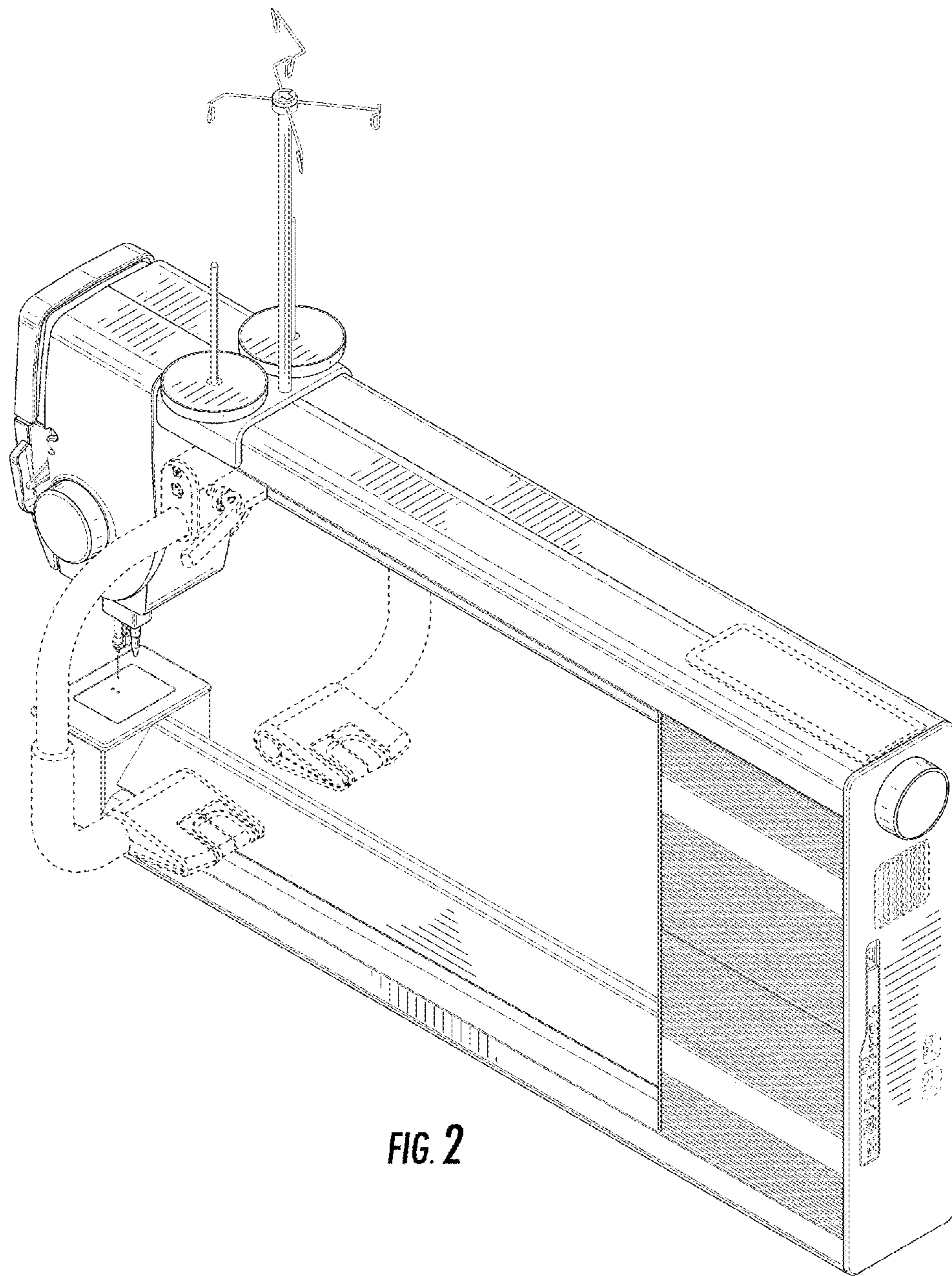


FIG. 2

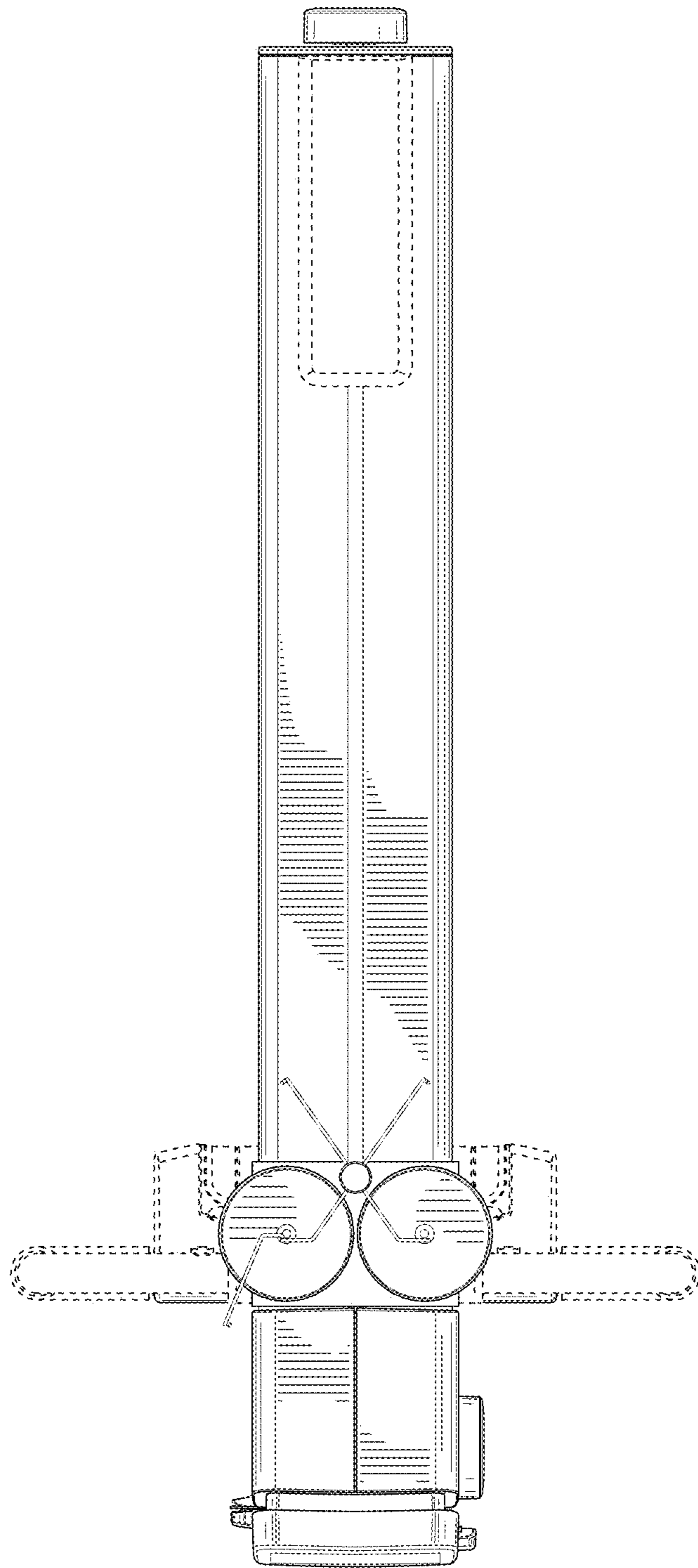


FIG. 3

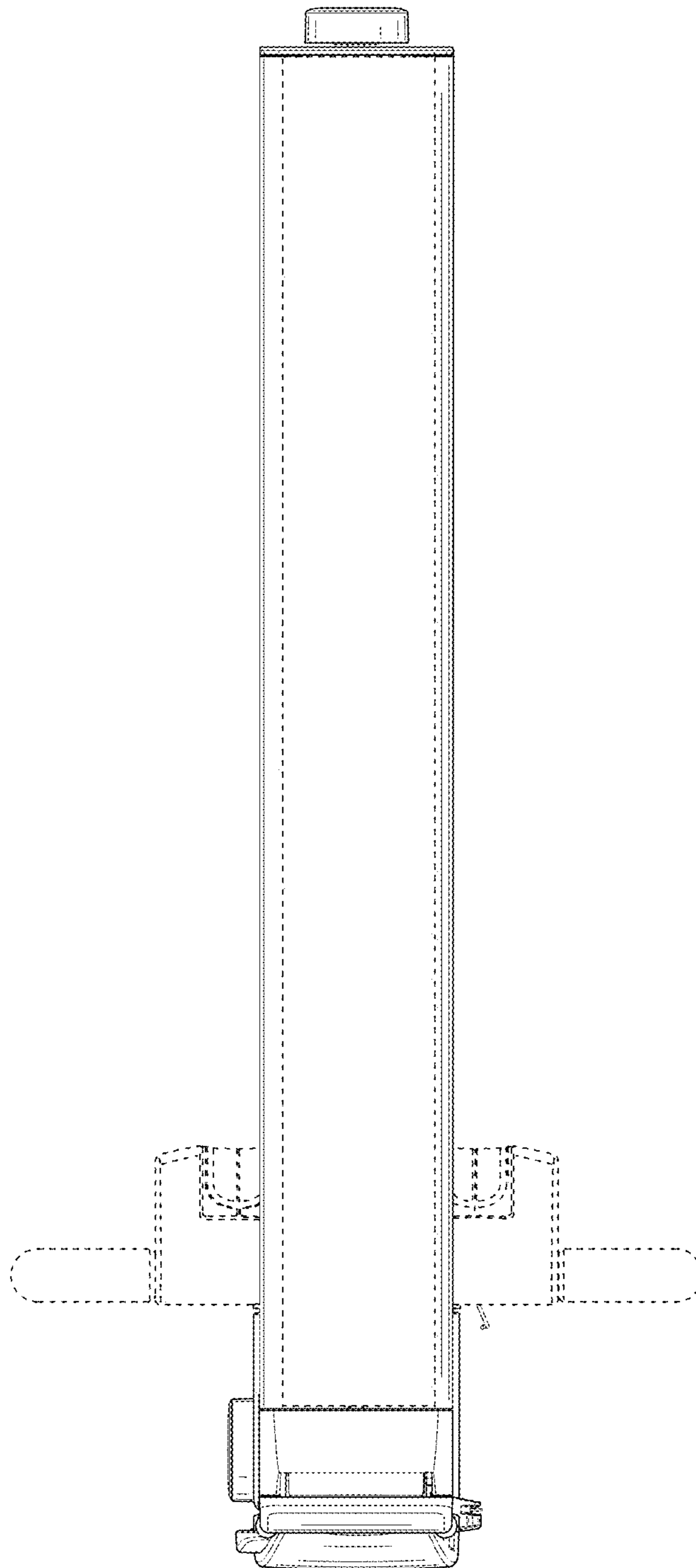


FIG. 4

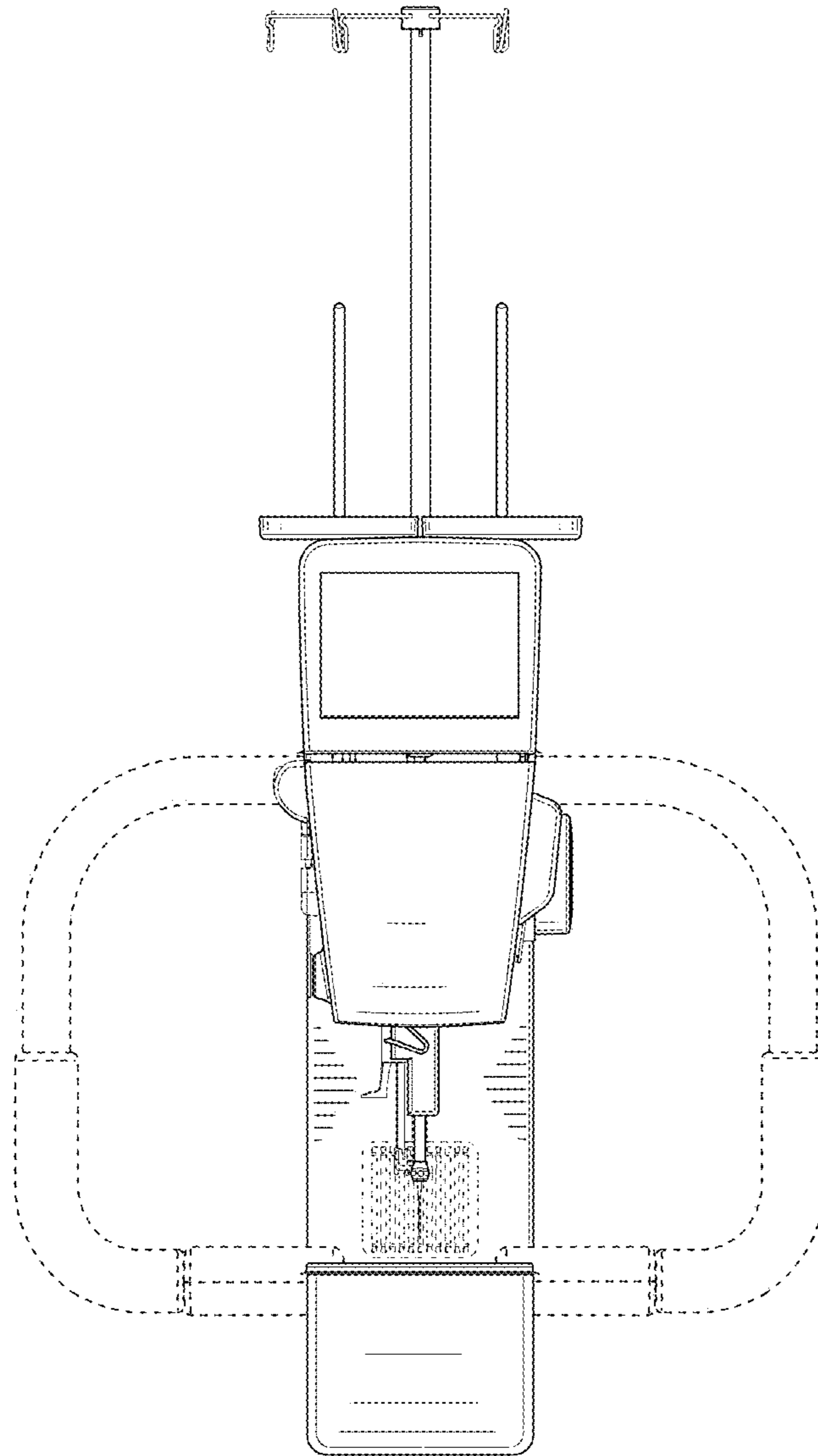


FIG. 5

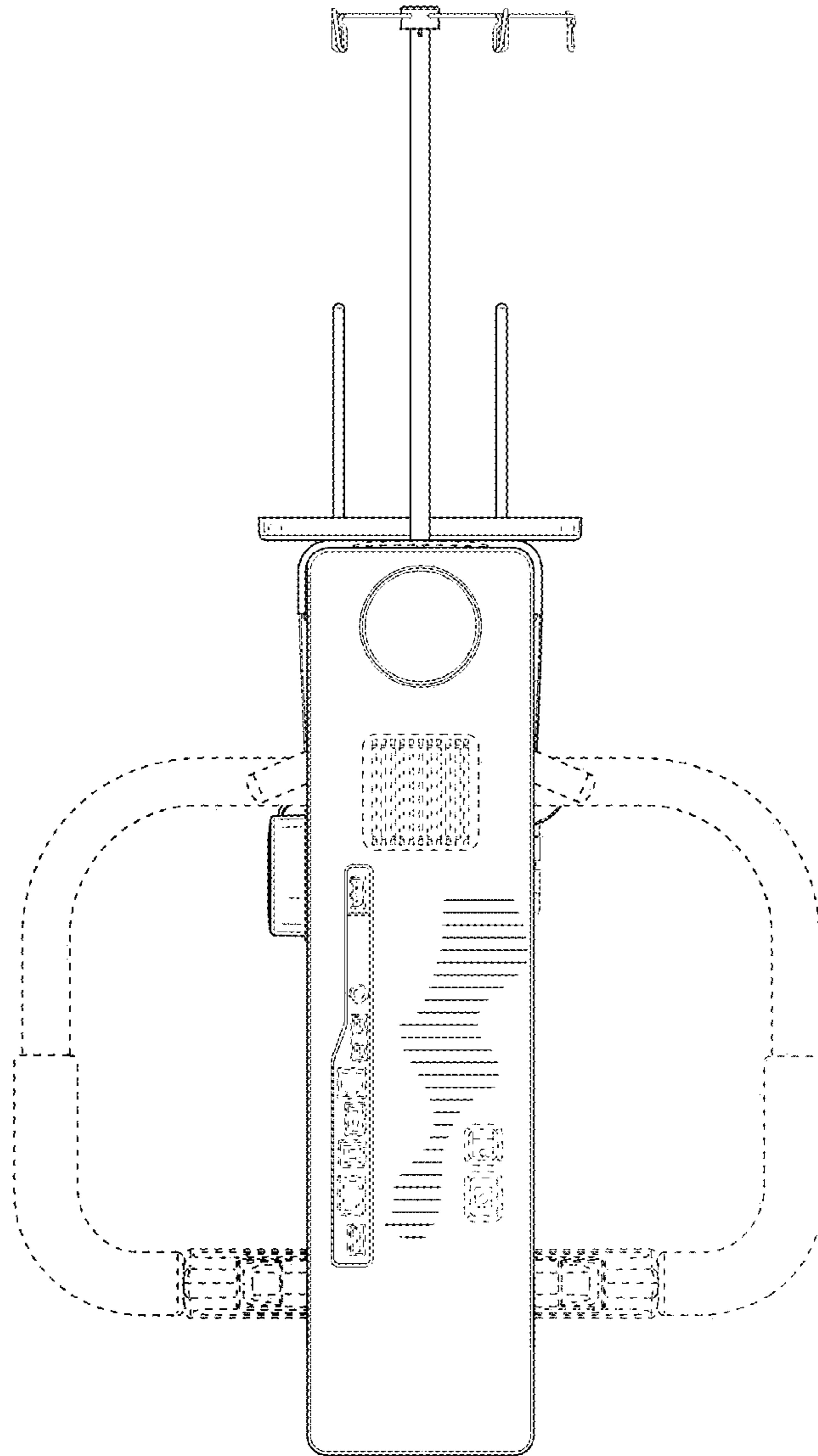
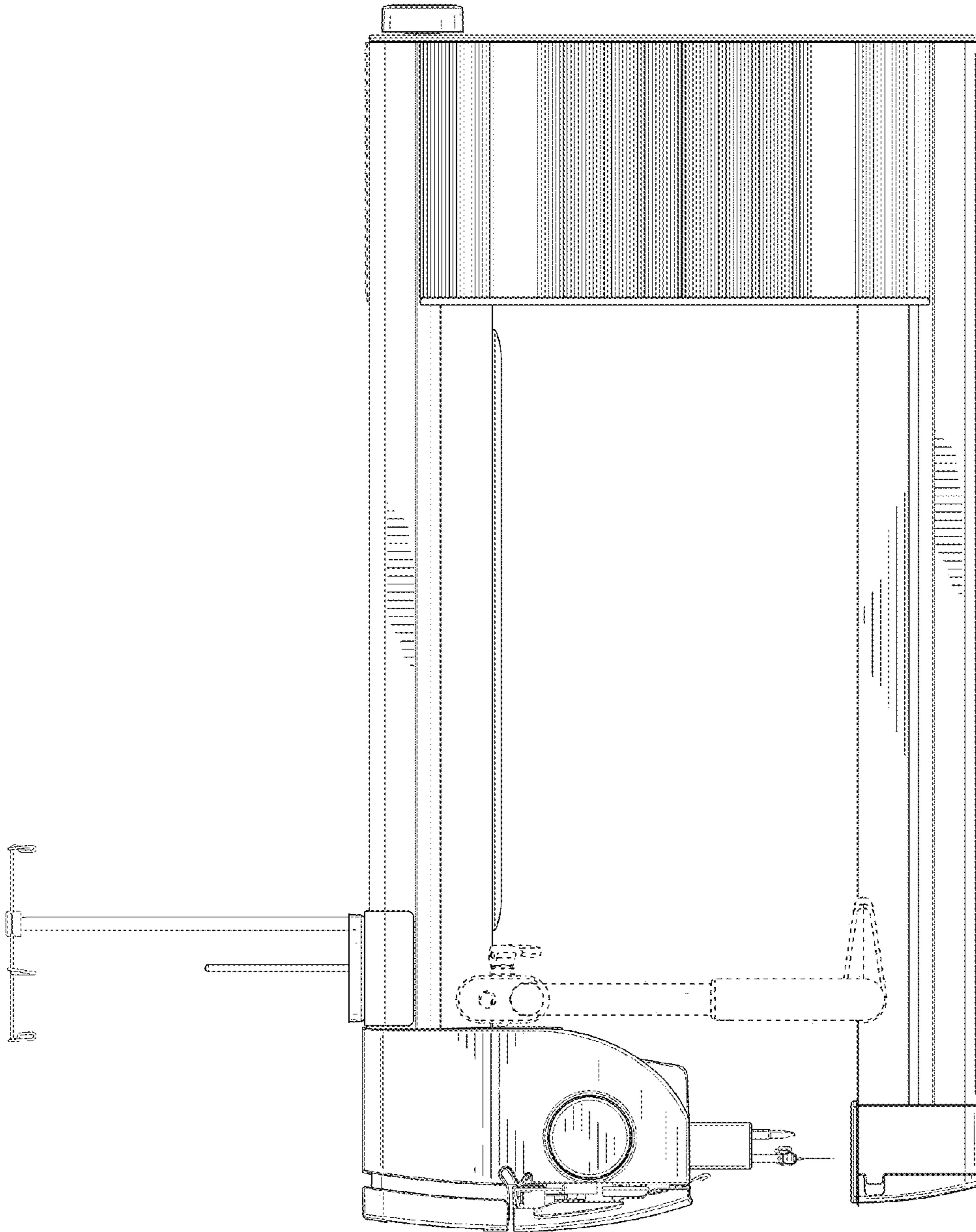


FIG. 6

FIG. 7



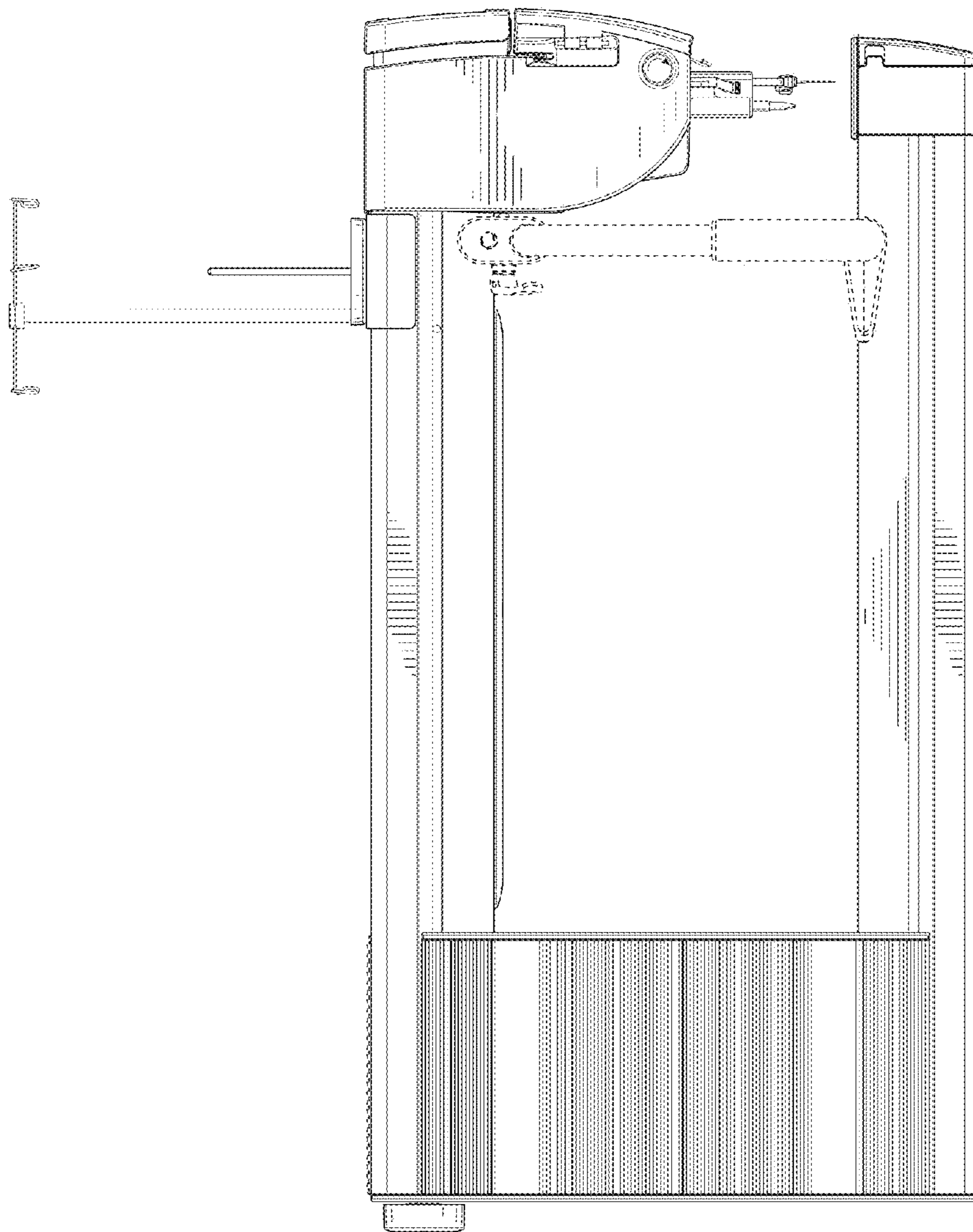


FIG. 8