



US00D752655S

(12) **United States Design Patent**
Morinaga et al.

(10) **Patent No.:** **US D752,655 S**
(45) **Date of Patent:** **** Mar. 29, 2016**

(54) **BUCKET FOR A CONSTRUCTION MACHINE**

(71) Applicants: **Hideo Morinaga**, Komatsu (JP); **Takao Tohriyama**, Komatsu (JP)

(72) Inventors: **Hideo Morinaga**, Komatsu (JP); **Takao Tohriyama**, Komatsu (JP)

(73) Assignee: **Komatsu Ltd.**, Tokyo (JP)

(**) Term: **14 Years**

(21) Appl. No.: **29/507,895**

(22) Filed: **Oct. 31, 2014**

(30) **Foreign Application Priority Data**

Aug. 20, 2014 (JP) 2014-018120
Aug. 20, 2014 (JP) 2014-018121

(51) **LOC (10) Cl.** **15-04**

(52) **U.S. Cl.**
USPC **D15/28**

(58) **Field of Classification Search**
USPC D15/10, 22-28, 32
CPC E02F 3/22; E02F 9/24; E02F 3/40;
E02F 3/401
See application file for complete search history.

(56) **References Cited**

U.S. PATENT DOCUMENTS

4,120,105 A * 10/1978 Stepe E02F 9/2825
37/449
4,477,987 A * 10/1984 Stecklein E02F 3/401
37/444
4,523,397 A * 6/1985 Lucas E02F 3/401
37/444
5,915,914 A * 6/1999 Hadiken E02F 3/401
37/411
5,984,618 A * 11/1999 Deneve E02F 3/283
414/697

7,762,014 B2 * 7/2010 Brock E02F 3/401
37/403
D693,853 S * 11/2013 Hiraoka D15/23
2007/0212207 A1 * 9/2007 Gust E02F 3/40
414/722

* cited by examiner

Primary Examiner — Mitchell Siegel

(74) *Attorney, Agent, or Firm* — Patterson Thuent Pedersen, P.A.

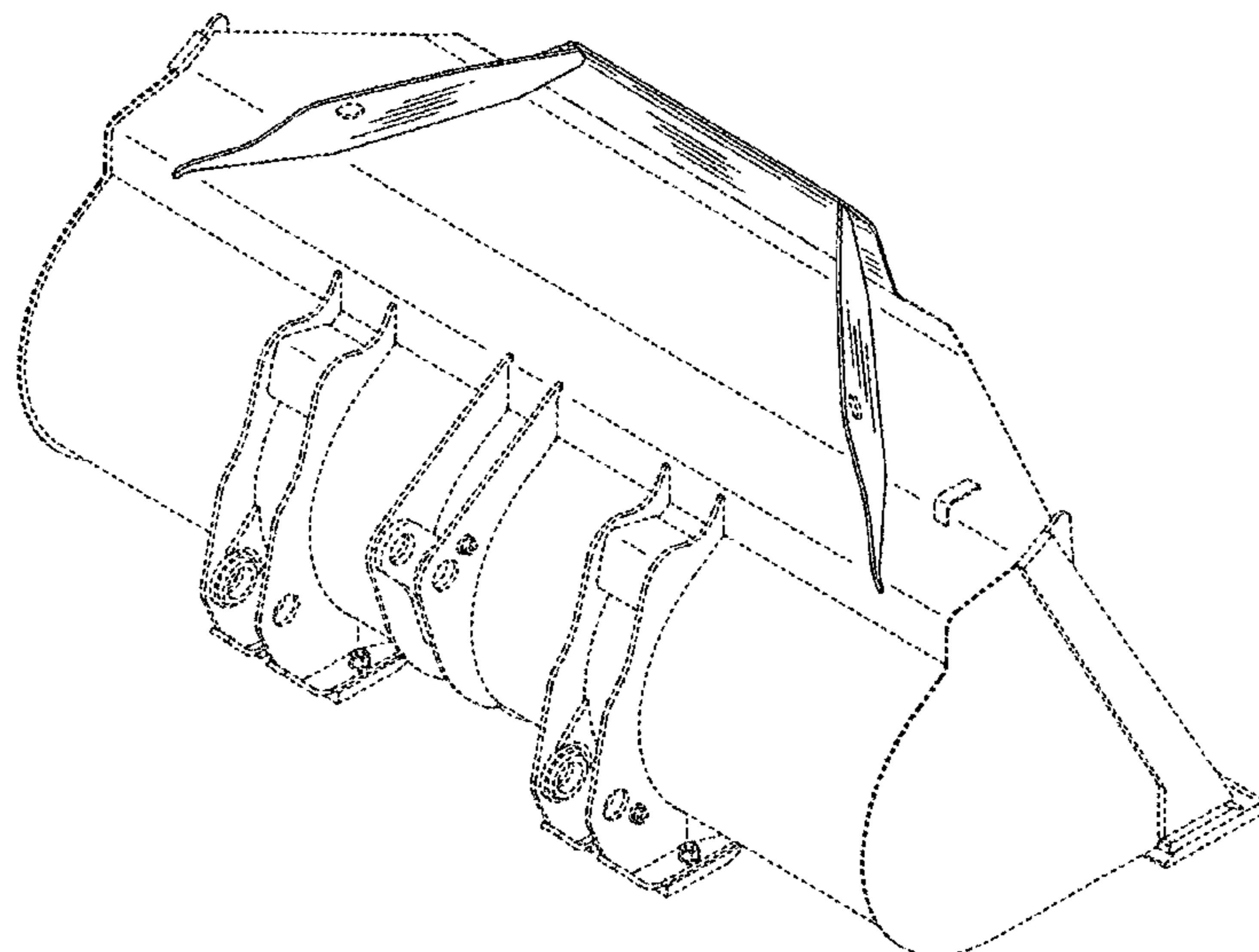
(57) **CLAIM**

The ornamental design for bucket for a construction machine, as shown and described.

DESCRIPTION

FIG. 1 is a front, top and right side perspective view of a first embodiment of the bucket for a construction machine showing our new design;
FIG. 2 is a rear, top and left side perspective view thereof;
FIG. 3 is a front view thereof;
FIG. 4 is a rear view thereof;
FIG. 5 is a top plan view thereof;
FIG. 6 is a bottom plan view thereof;
FIG. 7 is a right side view thereof;
FIG. 8 is a left side view thereof;
FIG. 9 is a front, top and right side perspective view of a second embodiment of the bucket for a construction machine showing our new design;
FIG. 10 is a rear, top and left side perspective view thereof;
FIG. 11 is a front view thereof;
FIG. 12 is a rear view thereof;
FIG. 13 is a top plan view thereof;
FIG. 14 is a bottom plan view thereof;
FIG. 15 is a right side view thereof; and,
FIG. 16 is a left side view thereof.
The features shown in broken lines in the drawings depict environmental subject matter only and form no part of the claimed design.

1 Claim, 16 Drawing Sheets



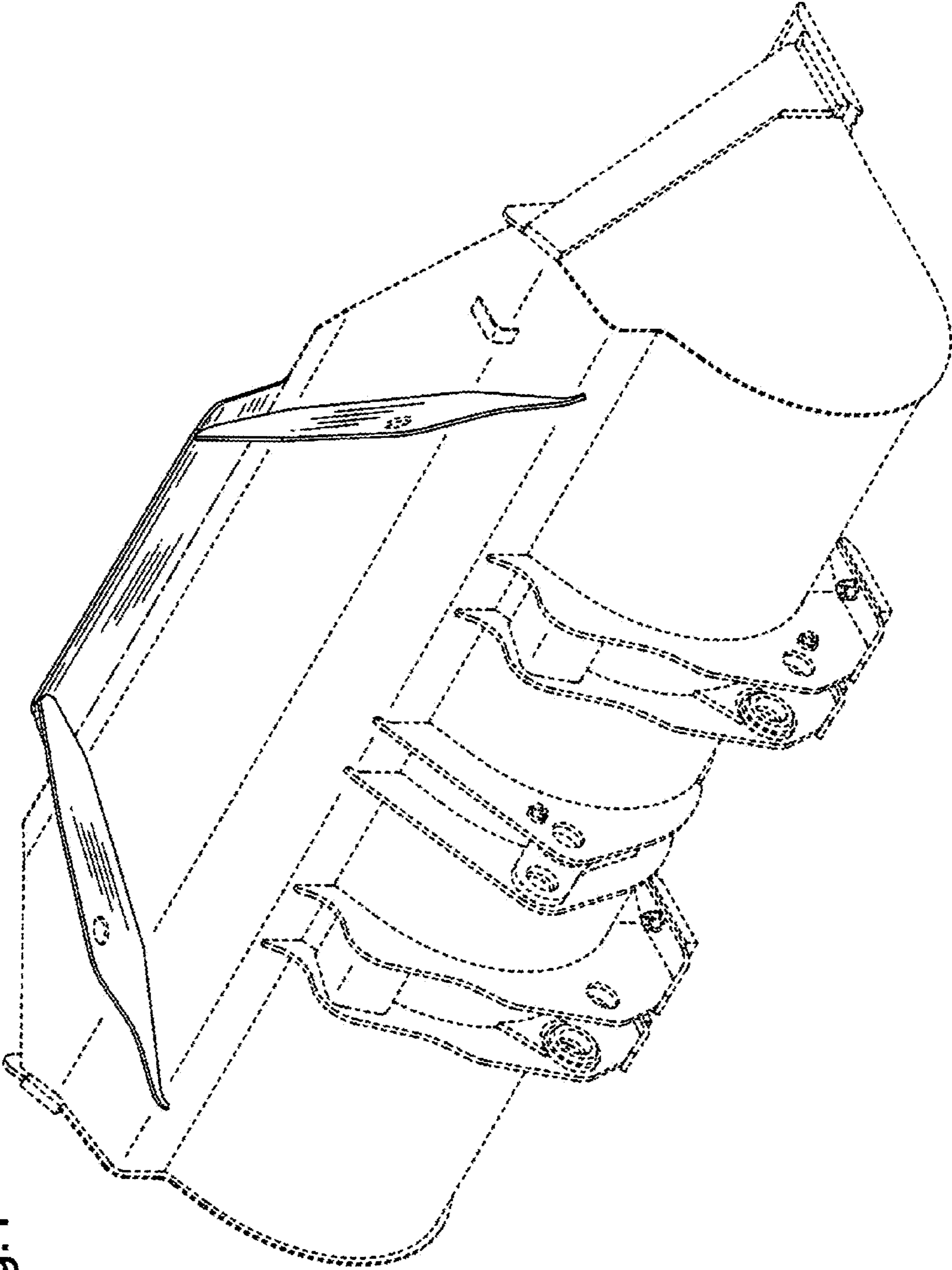


Fig.1

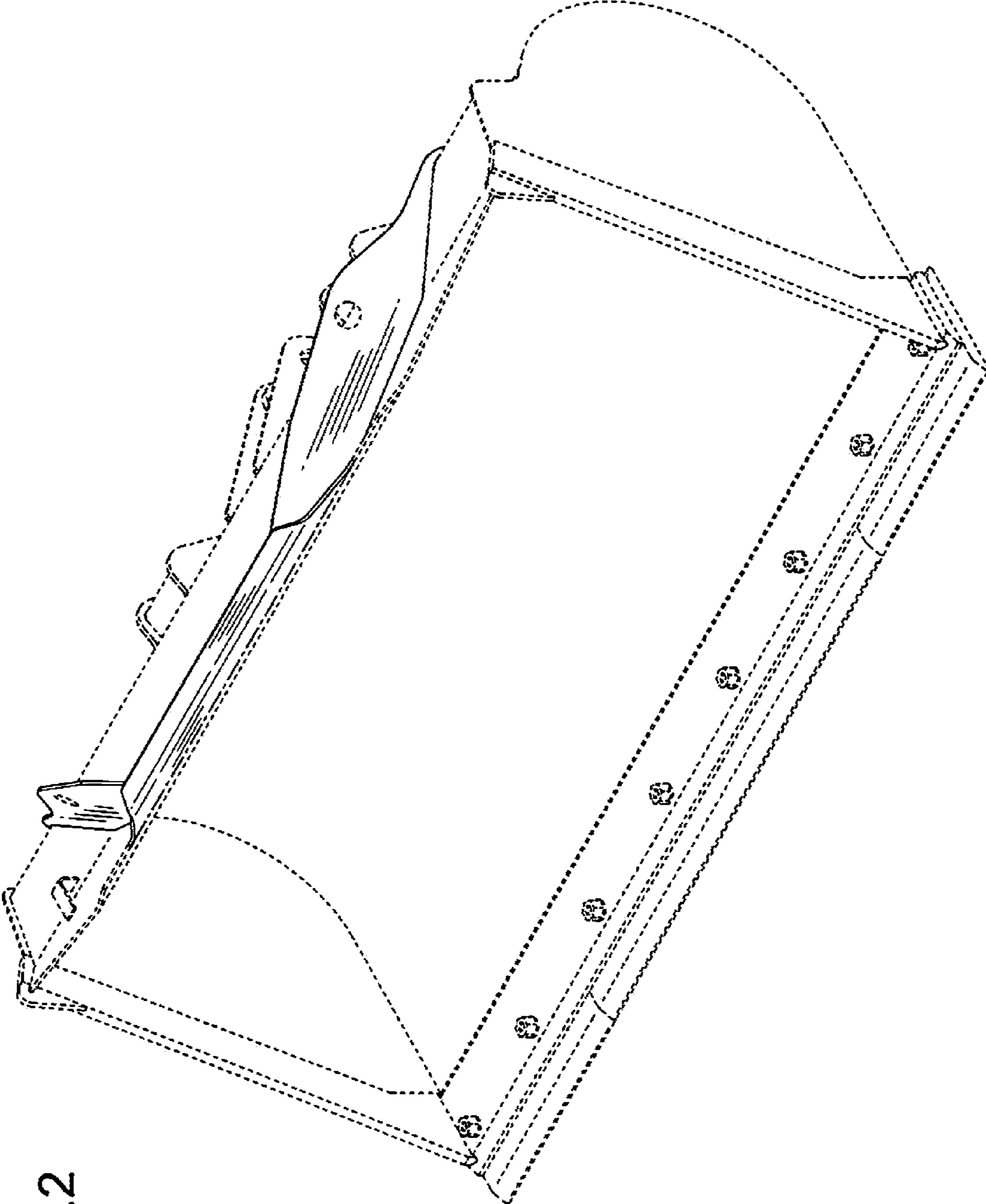


Fig. 2

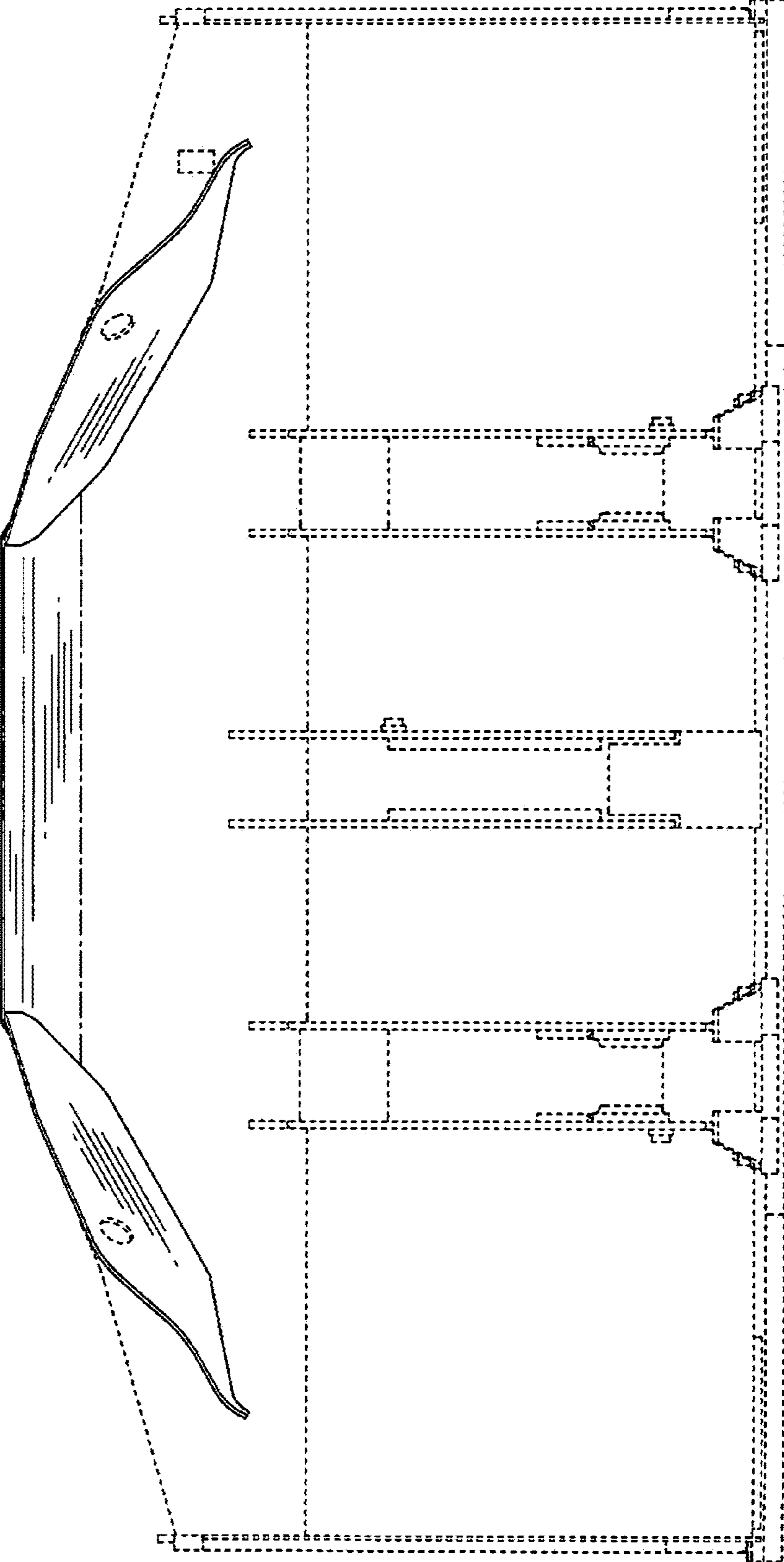


Fig.3

Fig.4

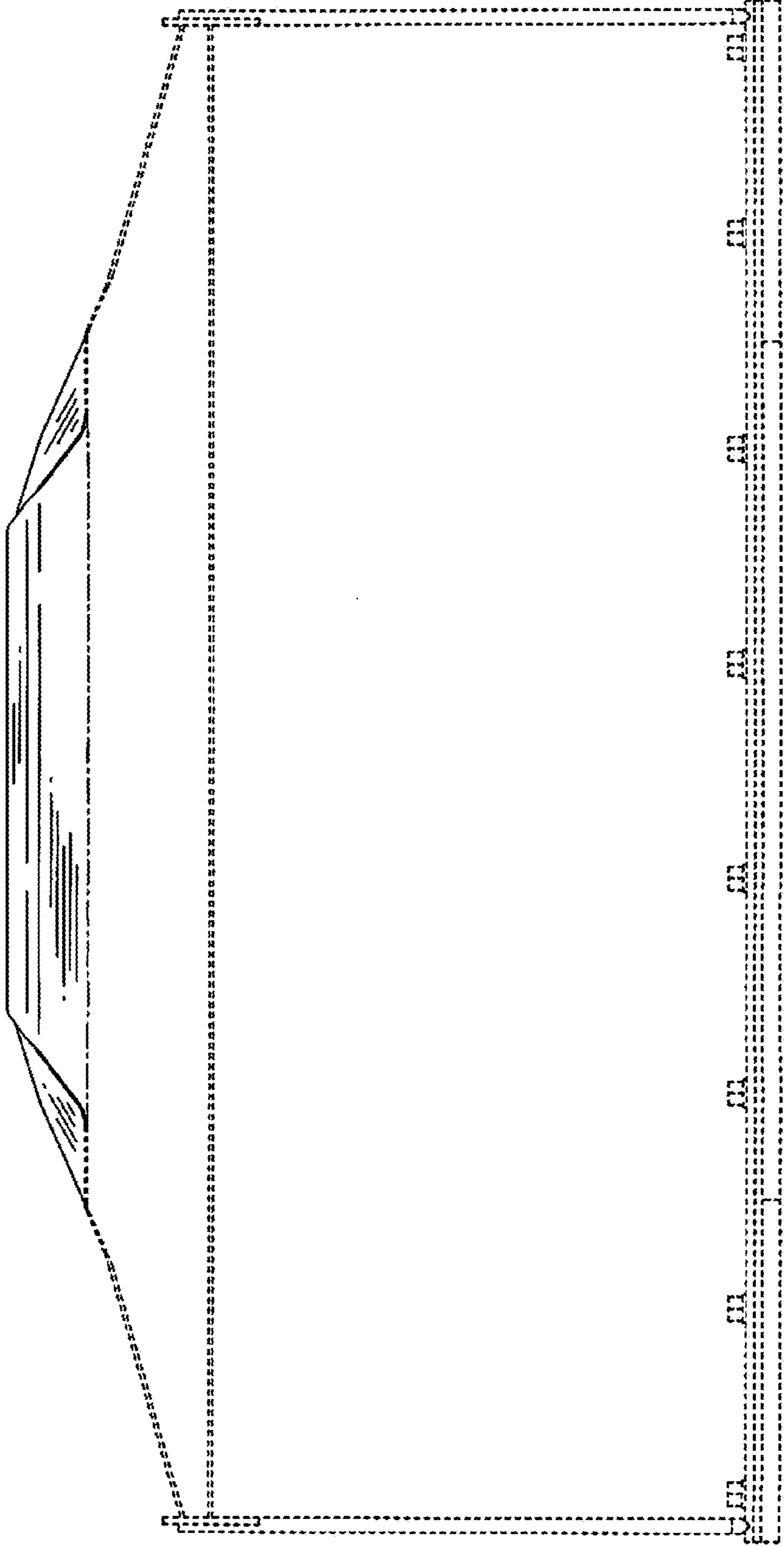
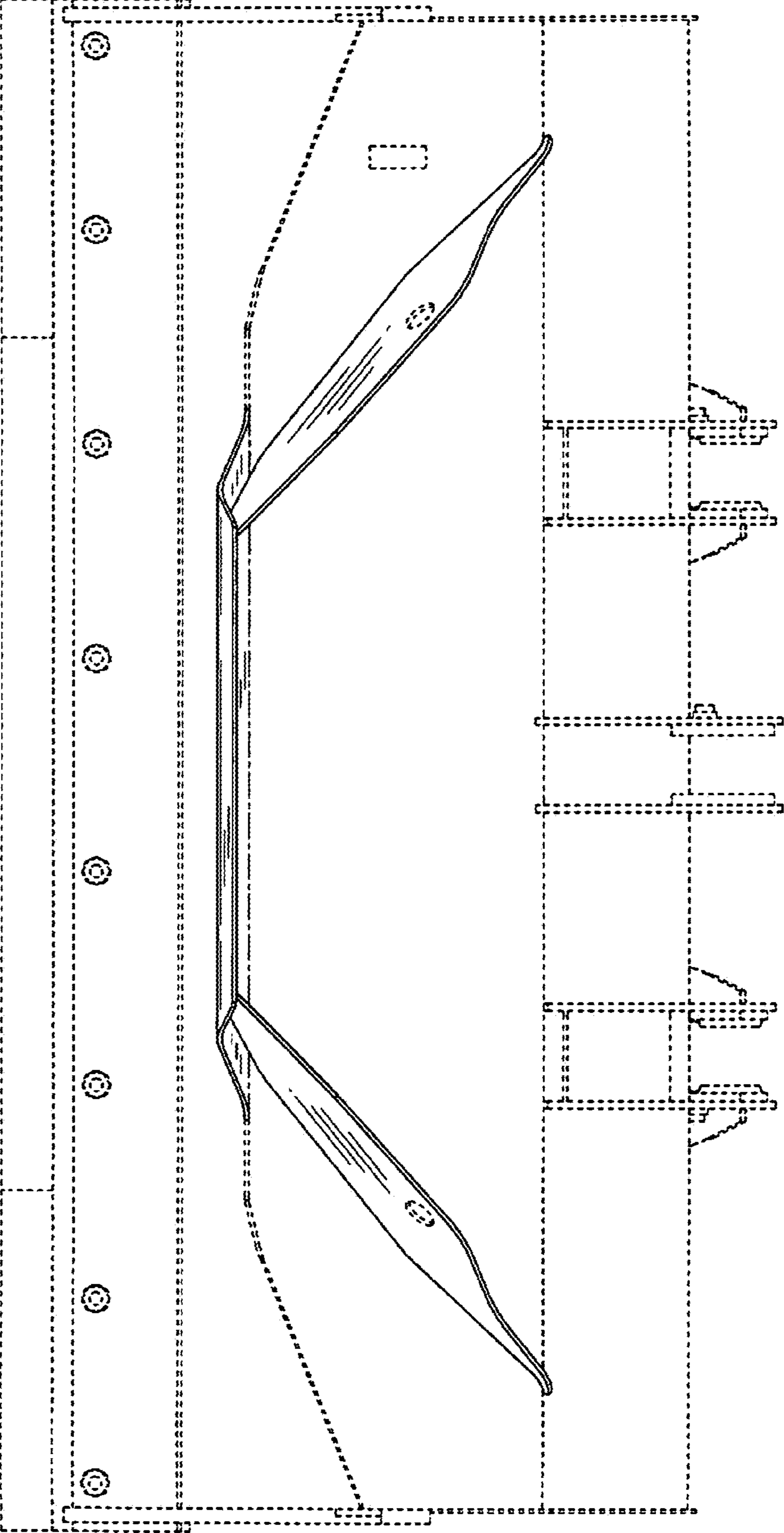


Fig.5



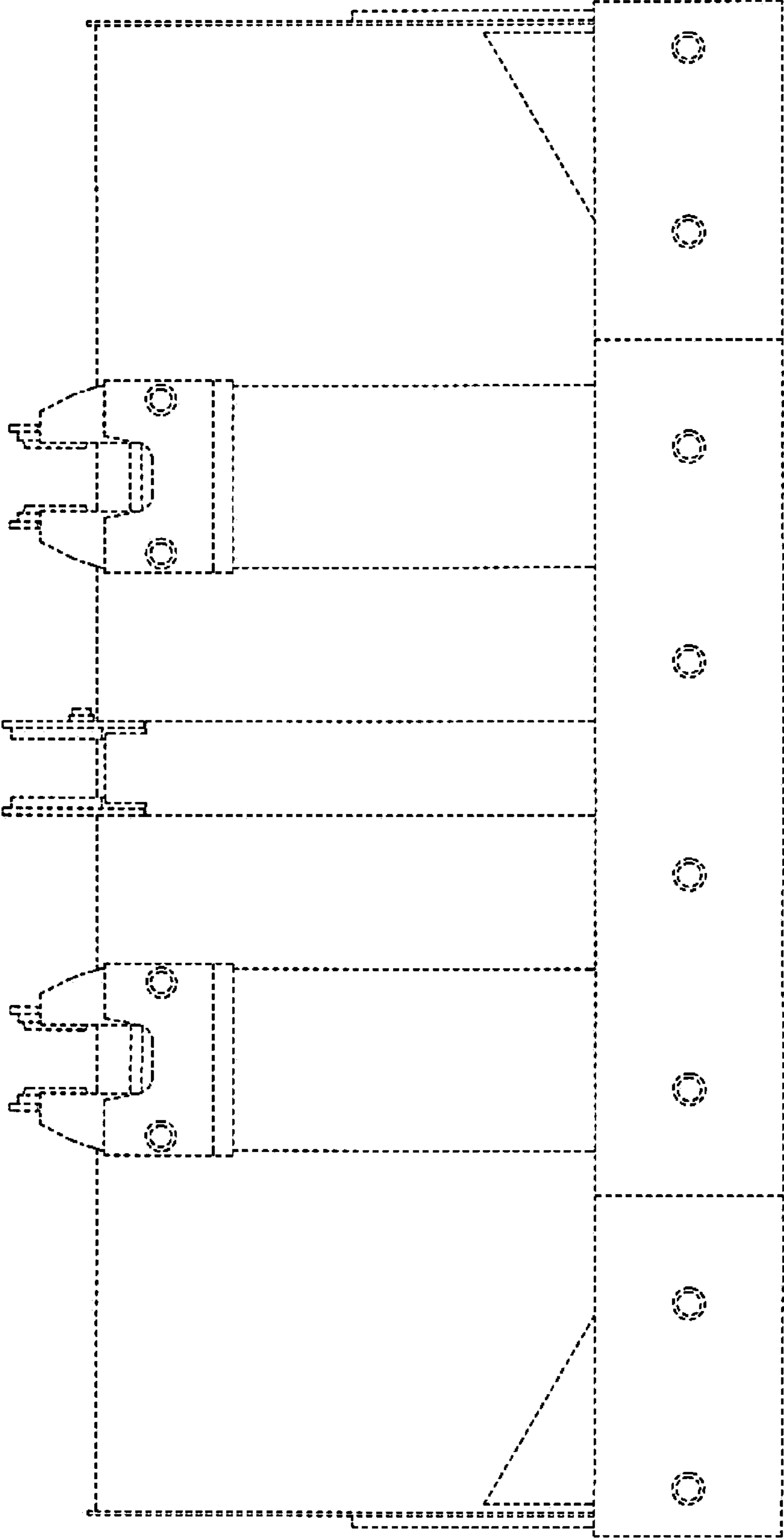


Fig.6

Fig.7

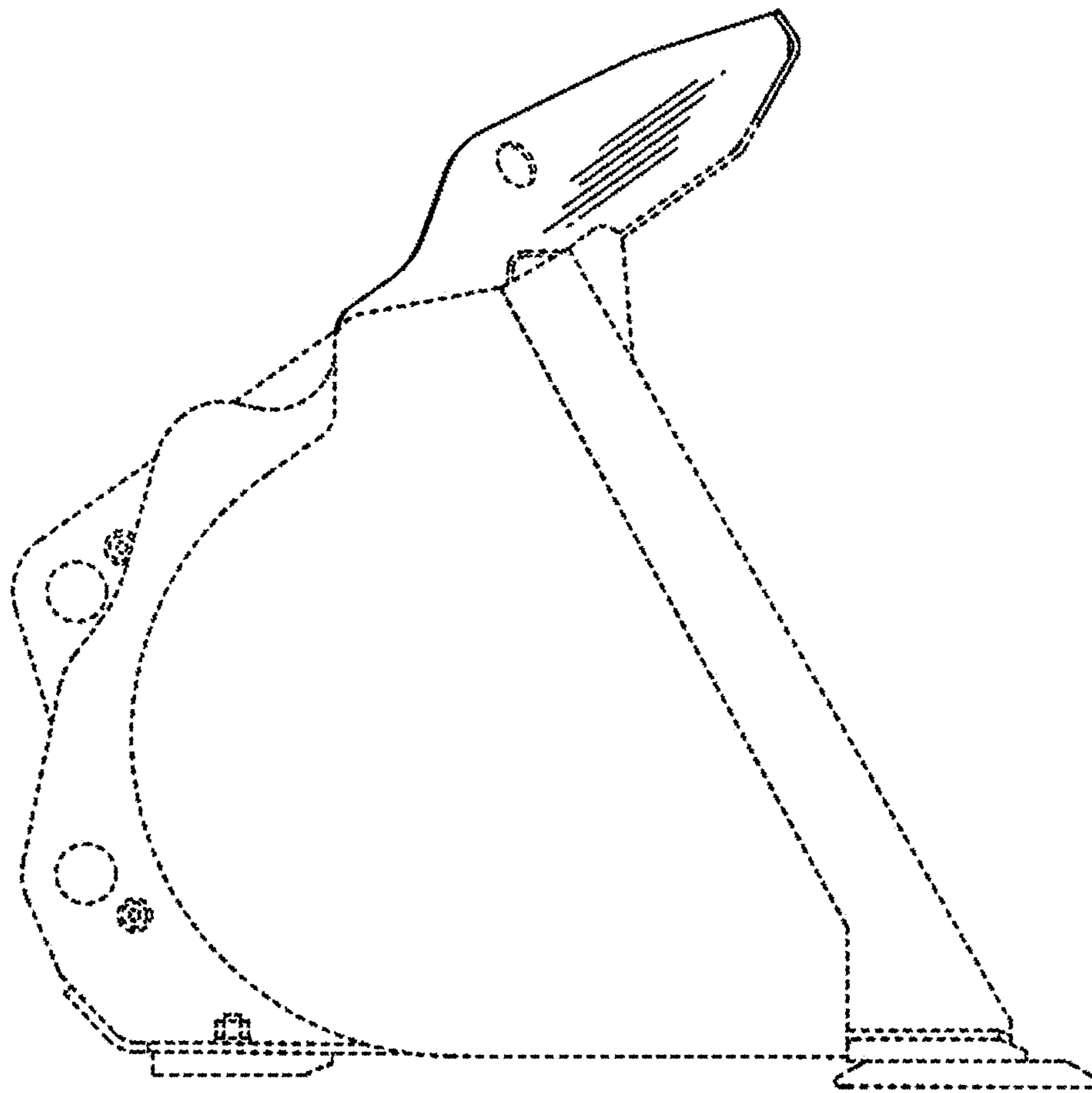
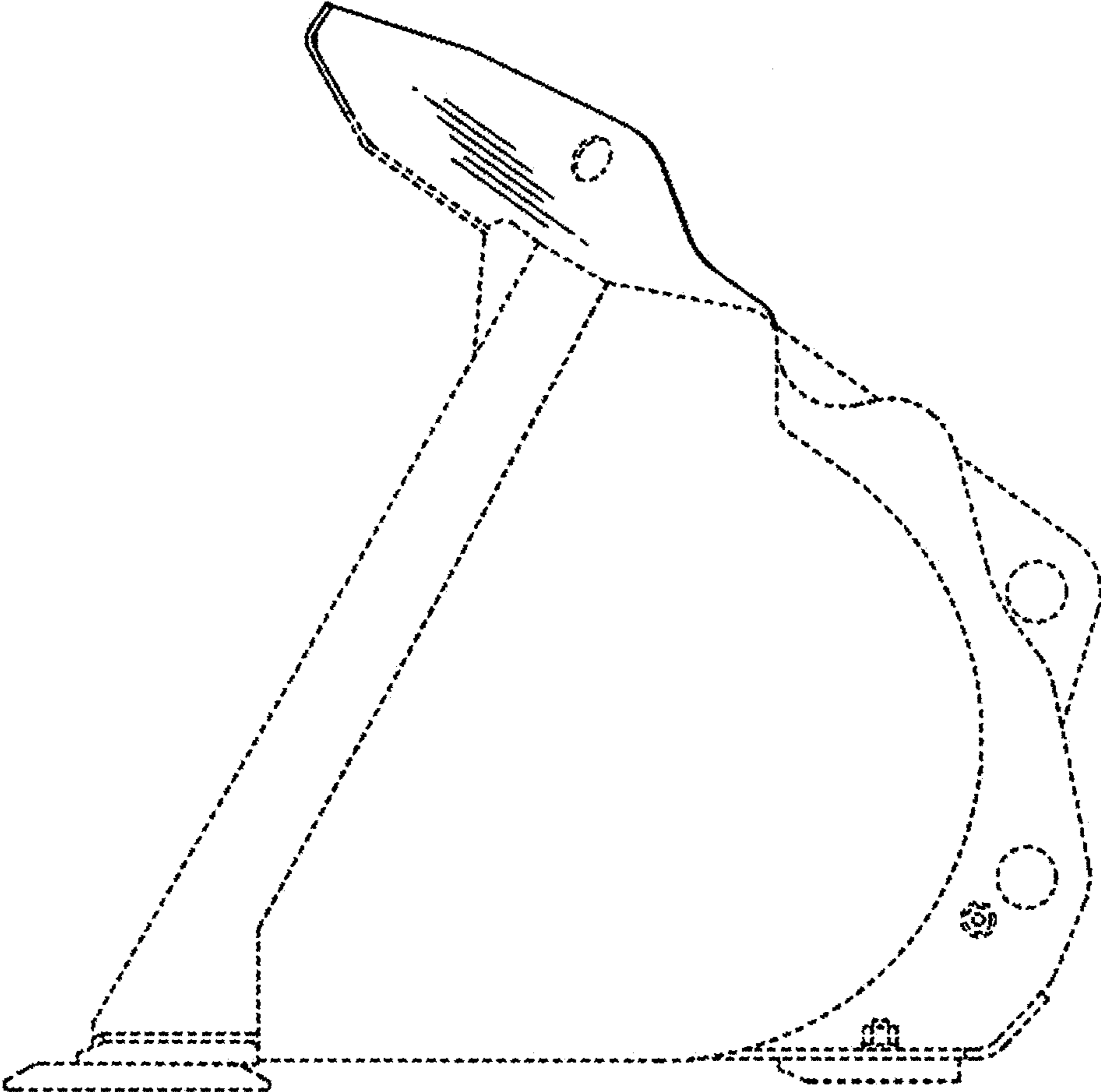


Fig.8



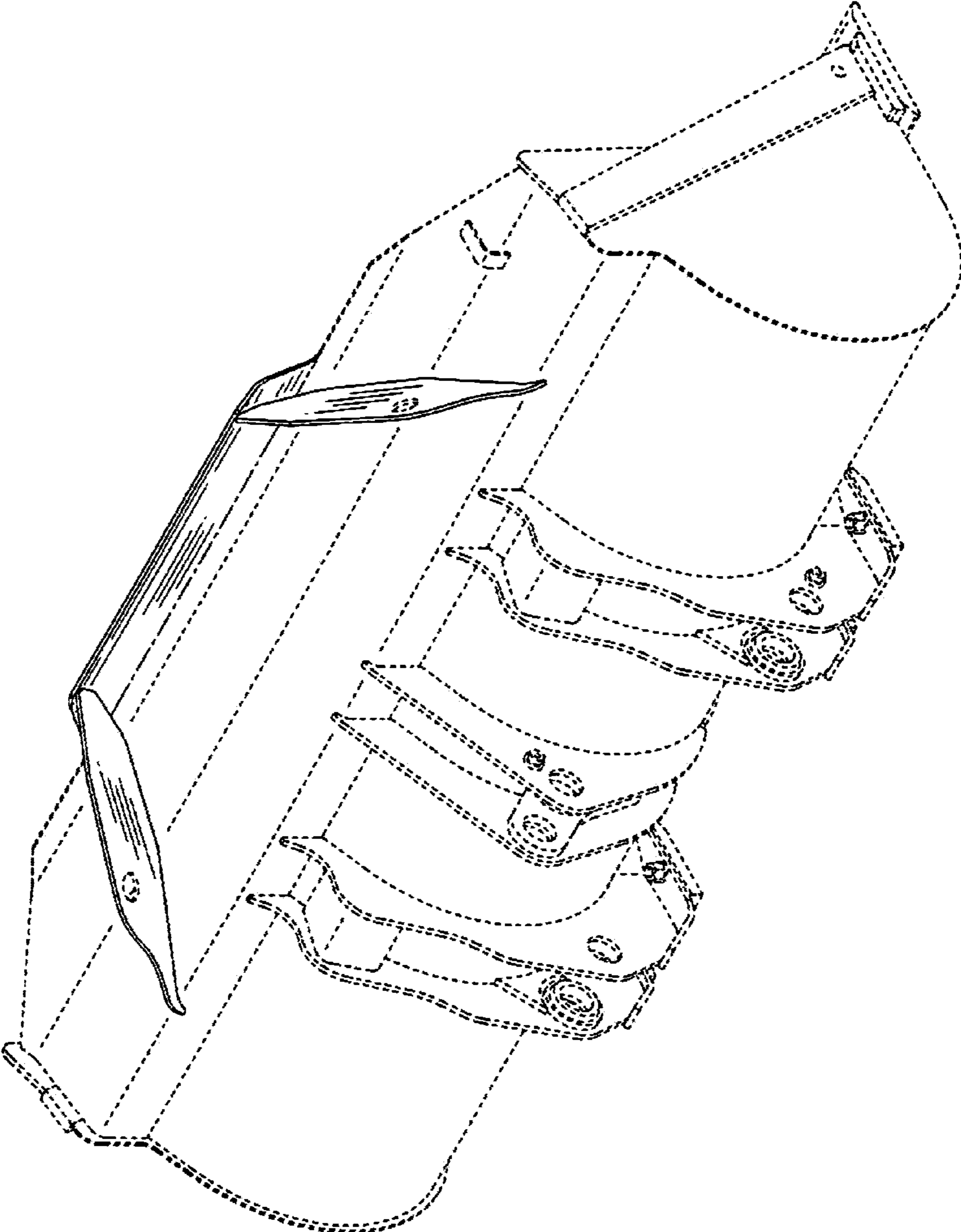


Fig.9

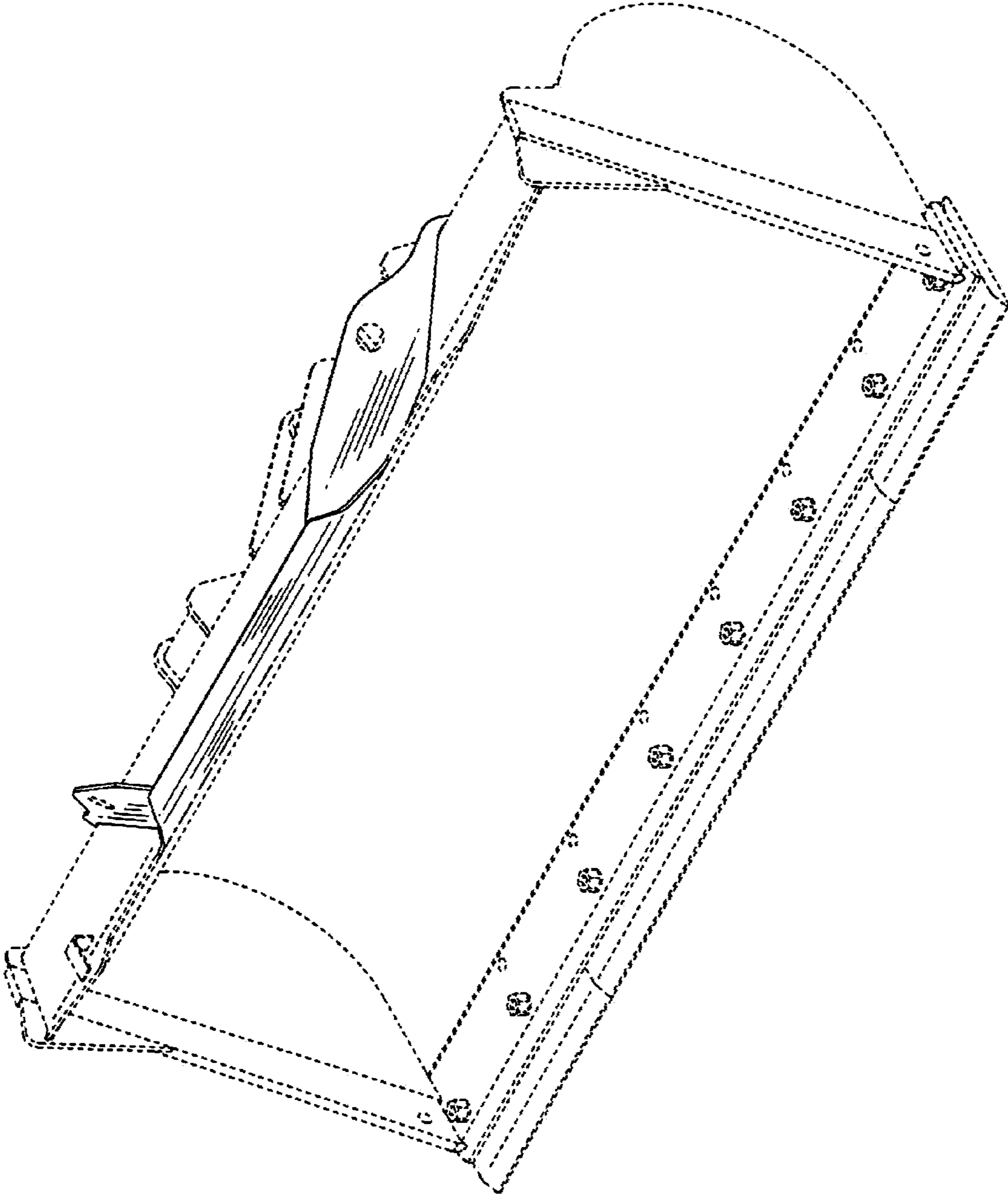


Fig.10

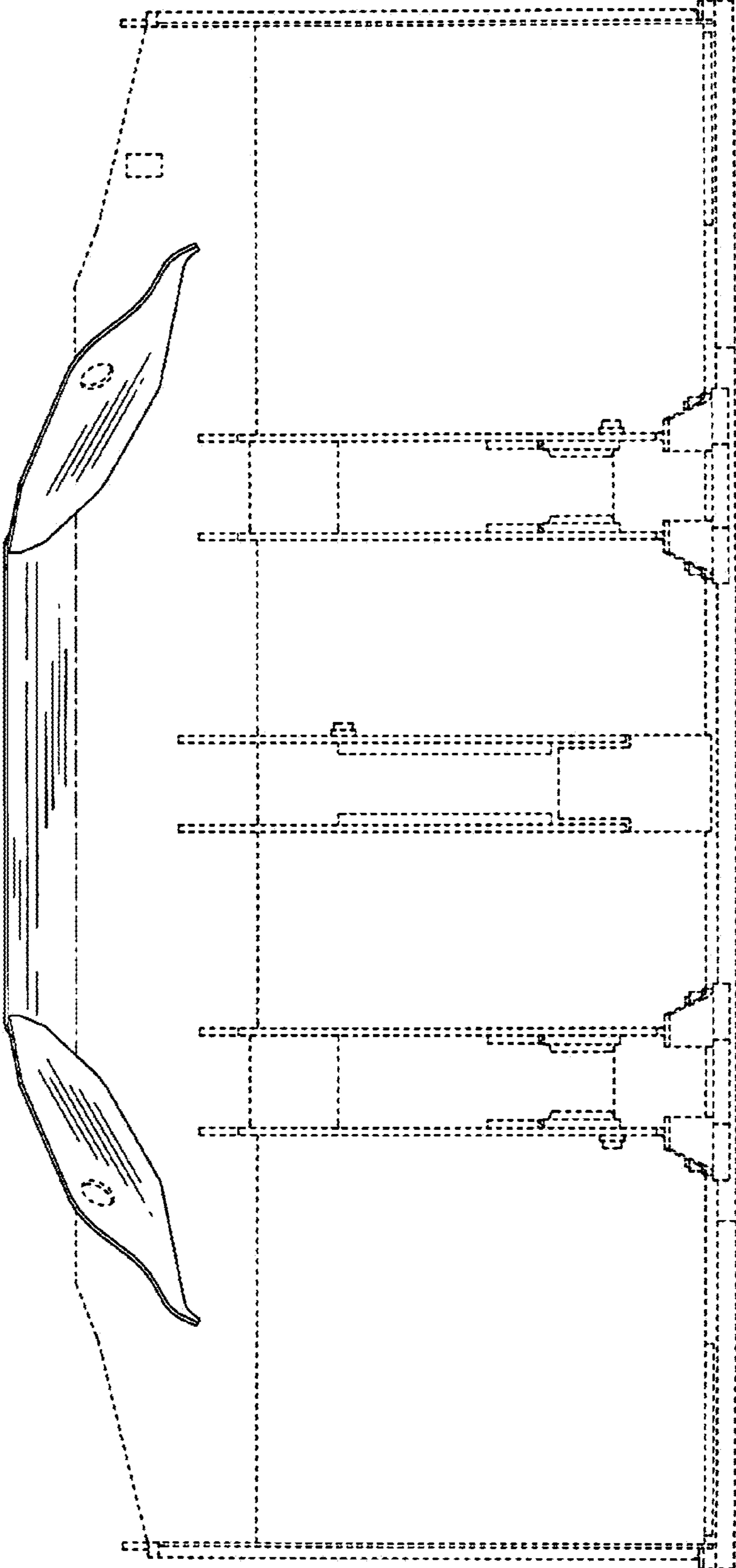


Fig.11

Fig.12

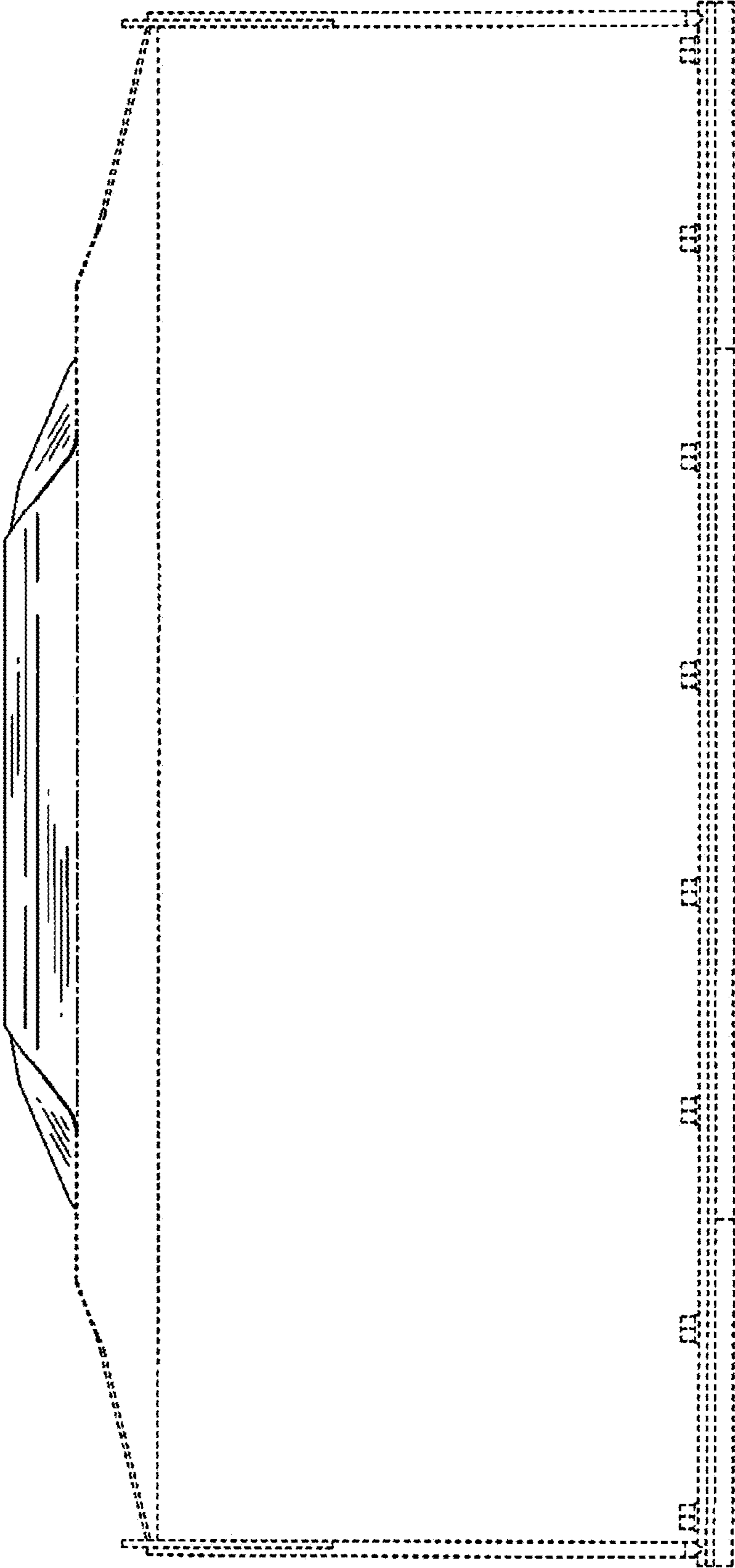
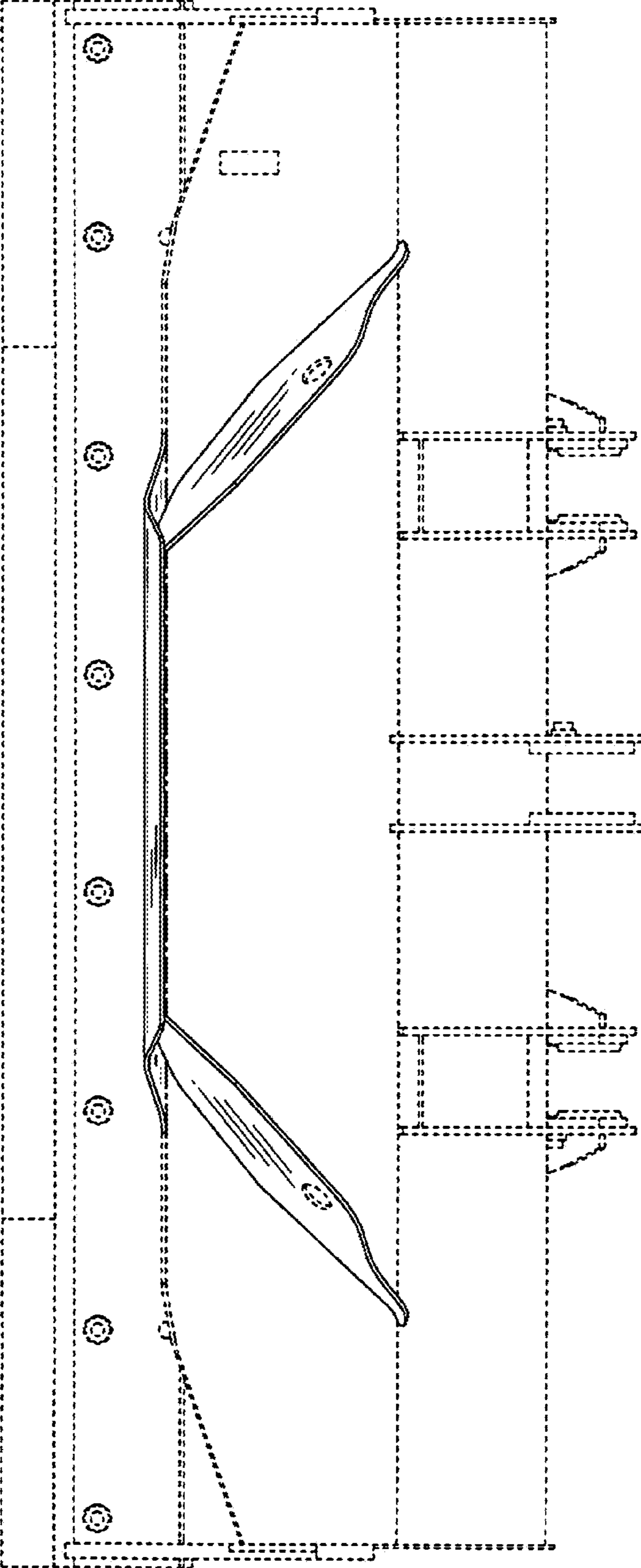


Fig. 13



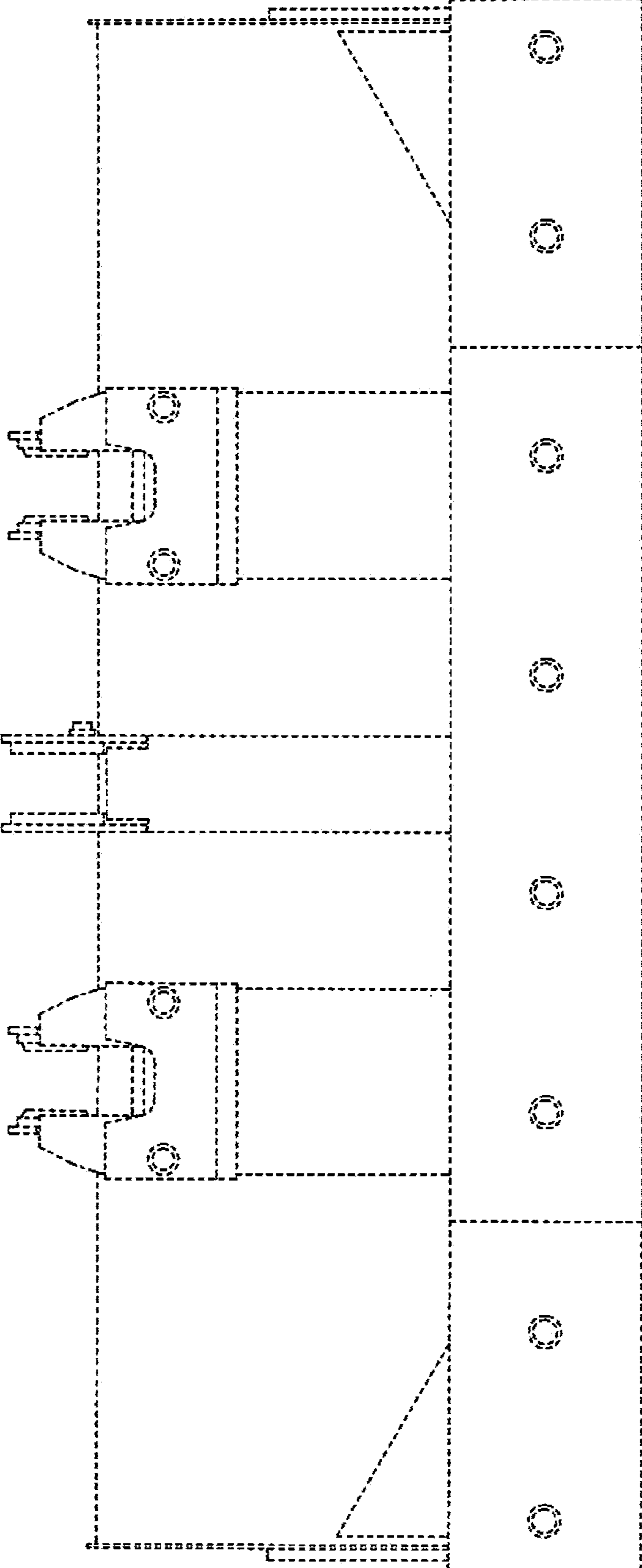


Fig.14

Fig.15

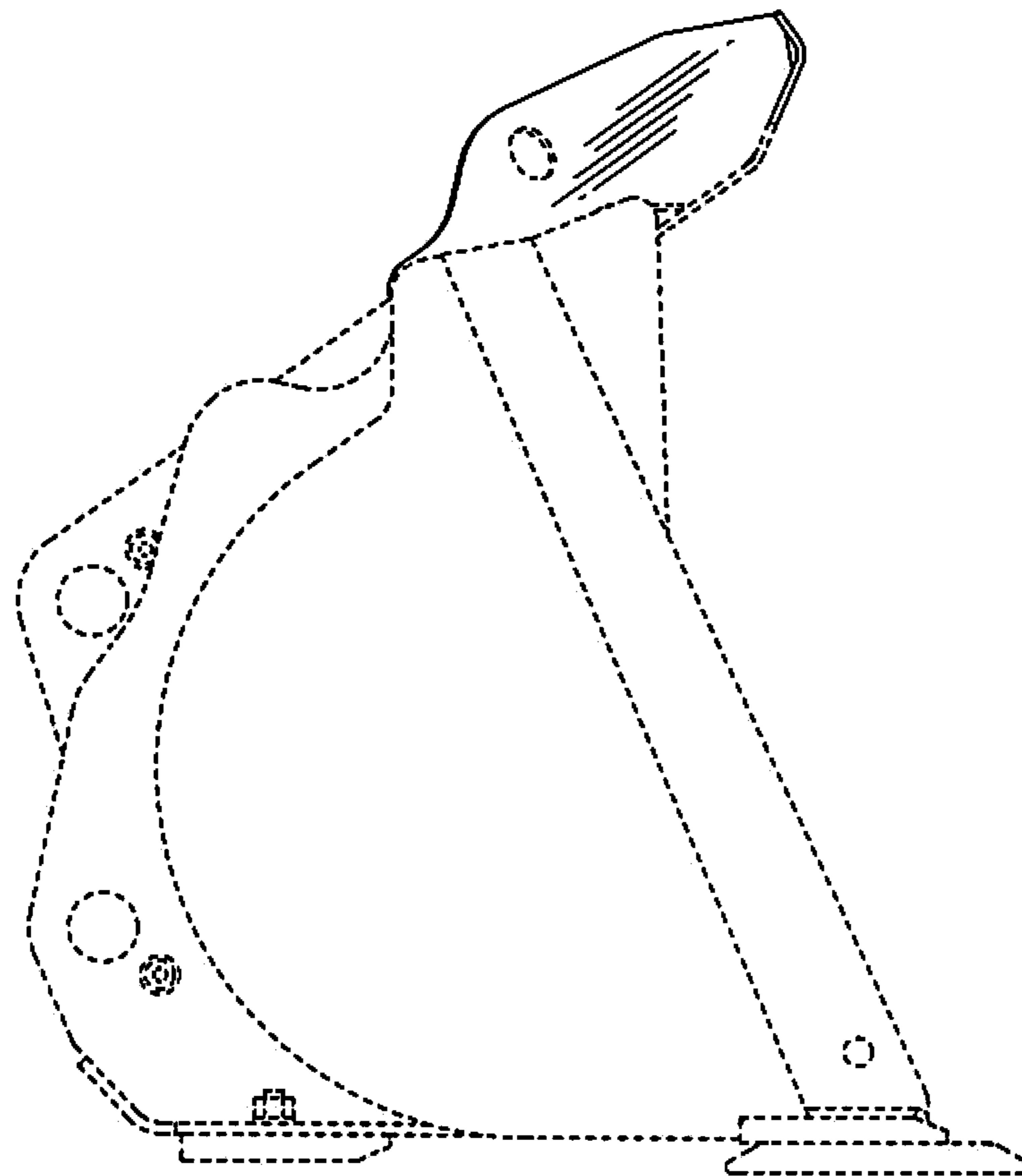


Fig.16

