



US00D752654S

(12) **United States Design Patent**  
**Appelgren**

(10) **Patent No.:** **US D752,654 S**

(45) **Date of Patent:** **\*\* Mar. 29, 2016**

(54) **SOIL AGITATOR**

(71) Applicant: **Dallas A. Appelgren**, Hillman, MI (US)

(72) Inventor: **Dallas A. Appelgren**, Hillman, MI (US)

(\*\*) Term: **14 Years**

(21) Appl. No.: **29/506,989**

(22) Filed: **Oct. 22, 2014**

(51) **LOC (10) Cl.** ..... **15-03**

(52) **U.S. Cl.**  
USPC ..... **D15/28**

(58) **Field of Classification Search**  
USPC ..... D15/10-12, 14, 17, 19, 28, 29  
CPC ..... A01B 33/00-33/028; A01B 23/06;  
A01B 21/08; A01B 35/28; A01B 35/16  
See application file for complete search history.

(56) **References Cited**

**U.S. PATENT DOCUMENTS**

3,094,174 A \* 6/1963 Miller et al. .... 172/531  
3,213,514 A \* 10/1965 Evans ..... 29/14

3,739,856 A \* 6/1973 Ray ..... 172/21  
3,781,991 A \* 1/1974 Stretton et al. .... 30/276  
D248,474 S \* 7/1978 Oosterling et al. .... D15/29  
5,495,897 A \* 3/1996 Javerlhac ..... 172/604  
5,855,246 A \* 1/1999 Bruce ..... 172/604  
D519,526 S \* 4/2006 Bowsher ..... D15/29  
D524,827 S \* 7/2006 Byrne ..... D15/29  
D577,372 S \* 9/2008 Hung ..... D15/17  
D621,421 S \* 8/2010 Falk ..... D15/11

\* cited by examiner

*Primary Examiner* — Mitchell Siegel

(74) *Attorney, Agent, or Firm* — Robert L. Farris; Farris Law, P.C.

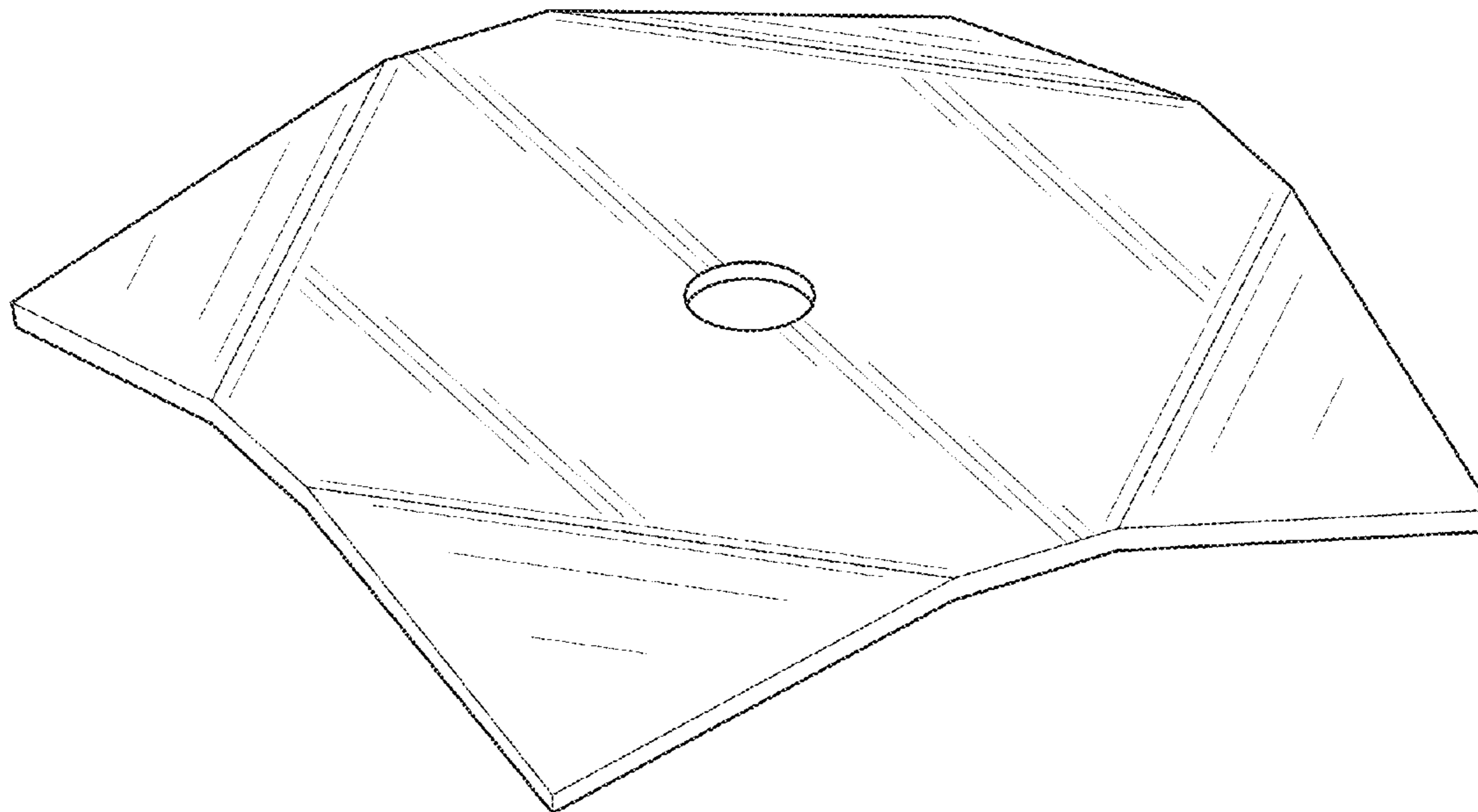
(57) **CLAIM**

The ornamental design for a soil agitator, shown and described.

**DESCRIPTION**

FIG. 1 is a perspective view of the soil agitator;  
FIG. 2 is an elevational view of the soil agitator;  
FIG. 3 is a top plan view of the soil agitator; and,  
FIG. 4 is a bottom view of the soil agitator.

**1 Claim, 3 Drawing Sheets**



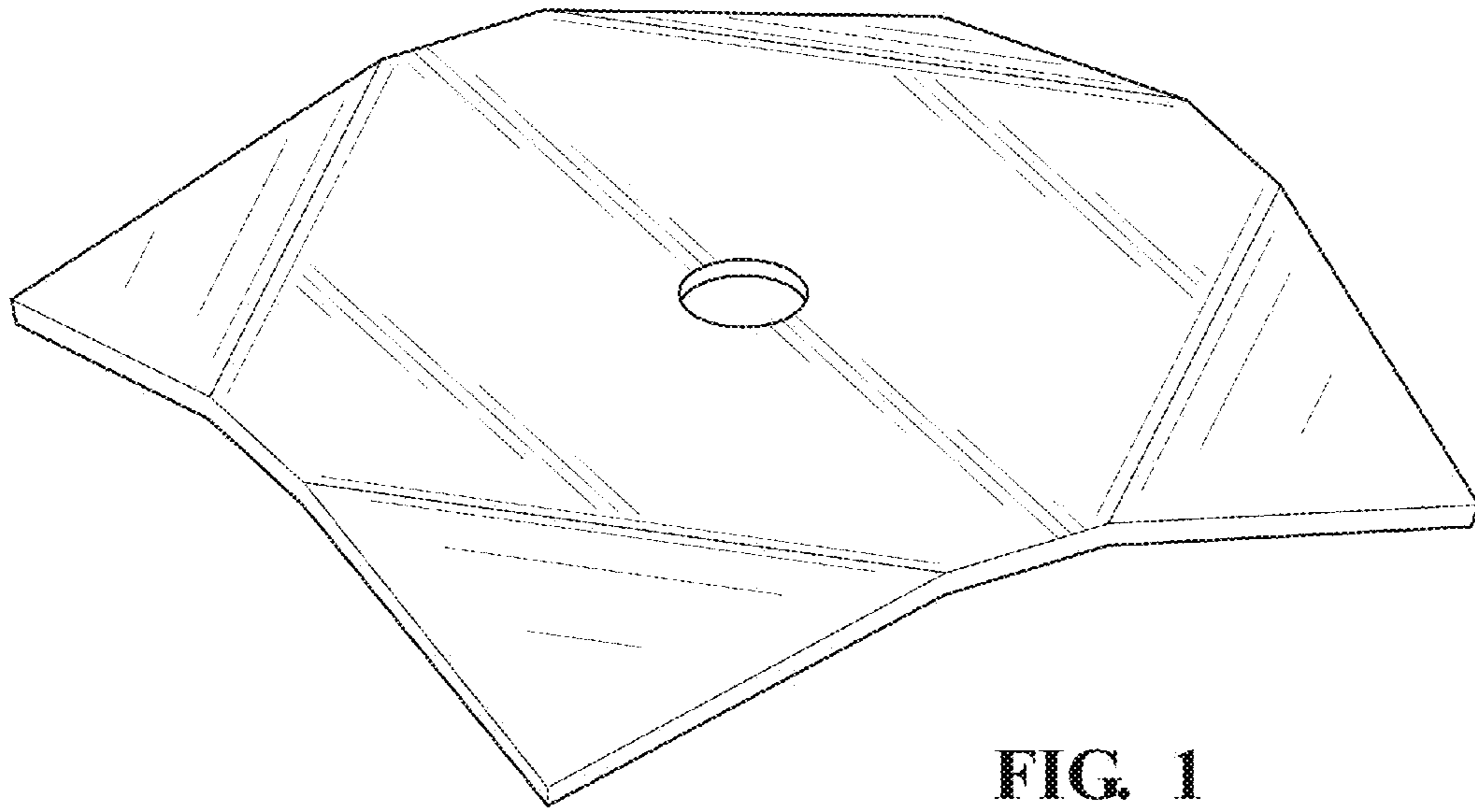


FIG. 1

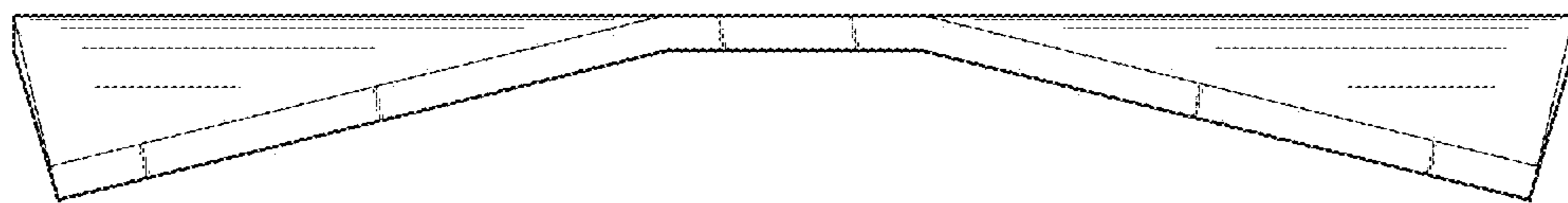


FIG. 2

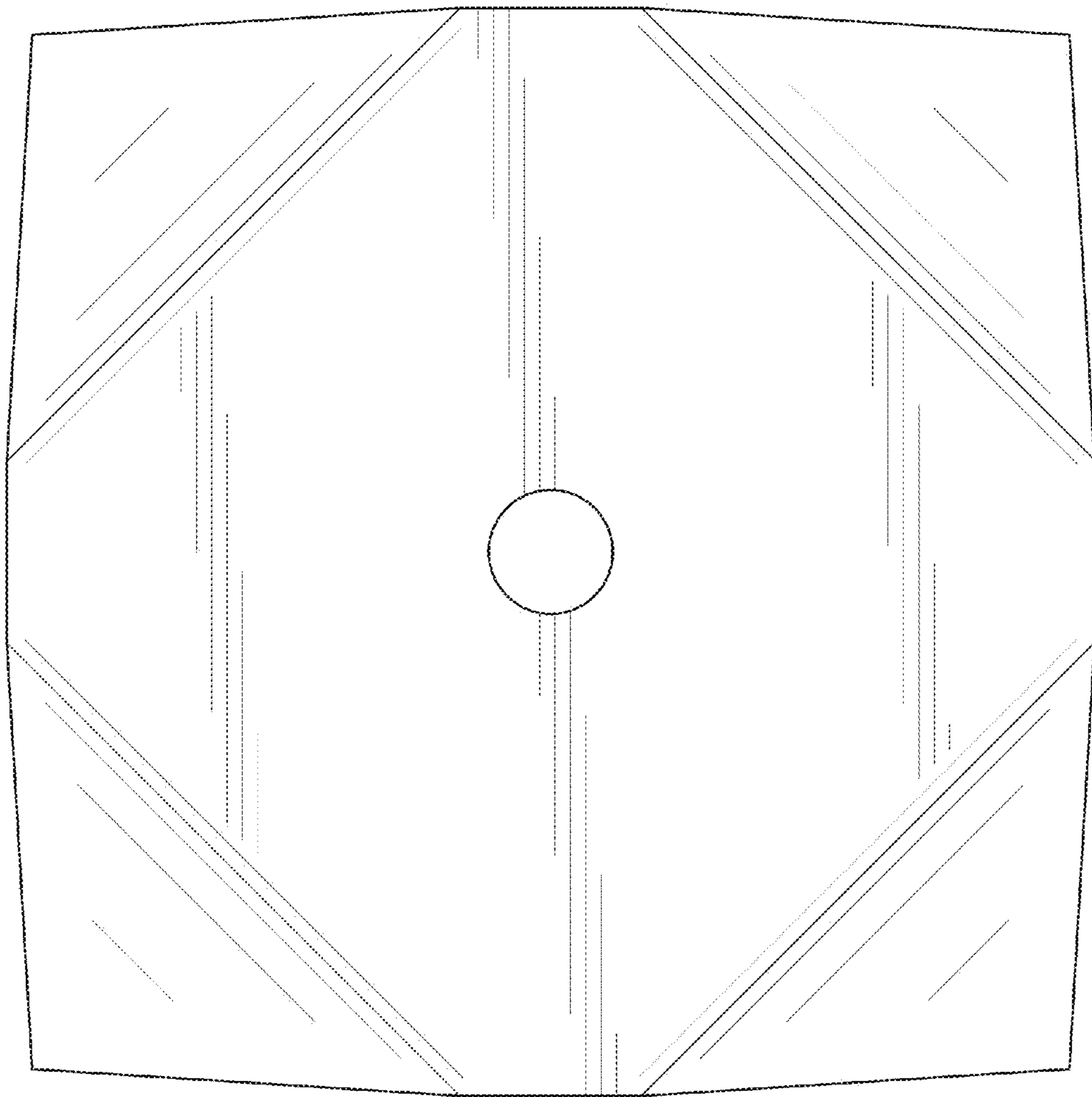


FIG. 3

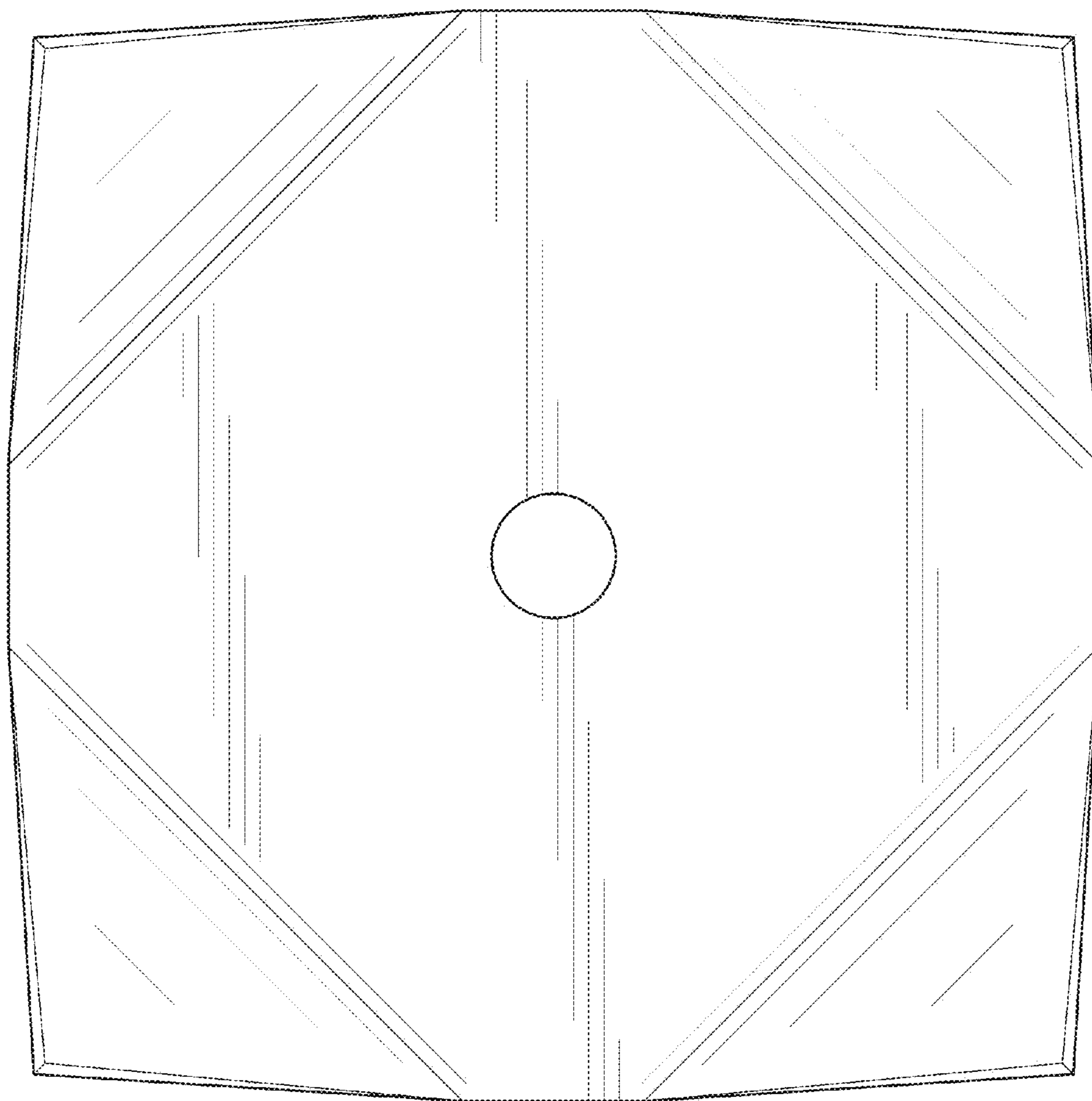


FIG. 4