



US00D752653S

(12) **United States Design Patent**
Lee et al.

(10) **Patent No.:** **US D752,653 S**
(45) **Date of Patent:** **** Mar. 29, 2016**

(54) **WORK VEHICLE BODY**

(71) Applicant: **DEERE & COMPANY**, Moline, IL
(US)

(72) Inventors: **Eric Y. Lee**, Dubuque, IA (US);
Srikanth R. Bolishetty, Dubuque, IA
(US)

(73) Assignee: **Deere & Company**, Moline, IL (US)

(**) Term: **14 Years**

(21) Appl. No.: **29/489,743**

(22) Filed: **May 2, 2014**

(51) **LOC (10) Cl.** **15-03**

(52) **U.S. Cl.**
USPC **D15/28**

(58) **Field of Classification Search**
USPC D15/22-26, 28, 30, 31, 33, 10;
180/89.1, 89.12, 235, 900, 298, 68.5;
414/685, 686, 694, 722, 680, 724, 699;
280/400
CPC A01G 23/093; A01G 23/08
See application file for complete search history.

(56) **References Cited**

U.S. PATENT DOCUMENTS

D433,689 S *	11/2000	Kraft	D15/25
D451,933 S *	12/2001	Brandenburg	D15/28
D462,701 S *	9/2002	Crabb	D15/28
D500,329 S *	12/2004	Bauve	D15/28
D558,798 S *	1/2008	Sakitani	D15/28
D629,816 S *	12/2010	Nishimura	D15/28
D635,154 S *	3/2011	Rummer	D15/23
D635,159 S *	3/2011	Berning	D15/28
D655,320 S *	3/2012	Hiraoka	D15/28
D660,323 S *	5/2012	Hiraoka	D15/28
D678,917 S *	3/2013	Hagura	D15/28
D678,918 S *	3/2013	Hagura	D15/28
D680,137 S *	4/2013	Tsukamoto	D15/28
D681,070 S *	4/2013	Tsukamoto	D15/28

D684,605 S *	6/2013	Hagura	D15/28
D684,606 S *	6/2013	Hagura	D15/28
D693,857 S *	11/2013	Hiraoka	D15/28
D735,246 S *	7/2015	Miller	D15/28
D737,865 S *	9/2015	Imashige	D15/28

* cited by examiner

Primary Examiner — Mark Goodwin

(74) *Attorney, Agent, or Firm* — Ingrassia, Fisher & Lorenz
PC

(57) **CLAIM**

The ornamental design for a work vehicle body, as shown and described.

DESCRIPTION

FIG. 1 is a top, rear, left perspective view of a work vehicle body showing my new design shown with example work vehicle environment;
FIG. 2 is a top, rear, left perspective view thereof shown with example engine cover environment;
FIG. 3 is a left side elevational view thereof;
FIG. 4 is a right side elevational view thereof;
FIG. 5 is a top plan view thereof;
FIG. 6 is a rear end view thereof;
FIG. 7 is a front end view thereof;
FIG. 8 is a bottom plan view thereof; and,
FIG. 9 is a top, rear, right perspective view of work vehicle body according to another embodiment of my new design shown with example engine cover environment, the various views thereof are mirror images of the views shown in FIGS. 3-8.

The broken line representations in the figures, including the broken line example work vehicle and engine cover environment, show unclaimed environment or boundaries, and thus form no part of the claimed design.

The nature of this product is an exterior body for a vehicle, such as a work vehicle used in the construction and forestry industries, for example an engine cover or portion thereof for a wheeled loader.

1 Claim, 8 Drawing Sheets

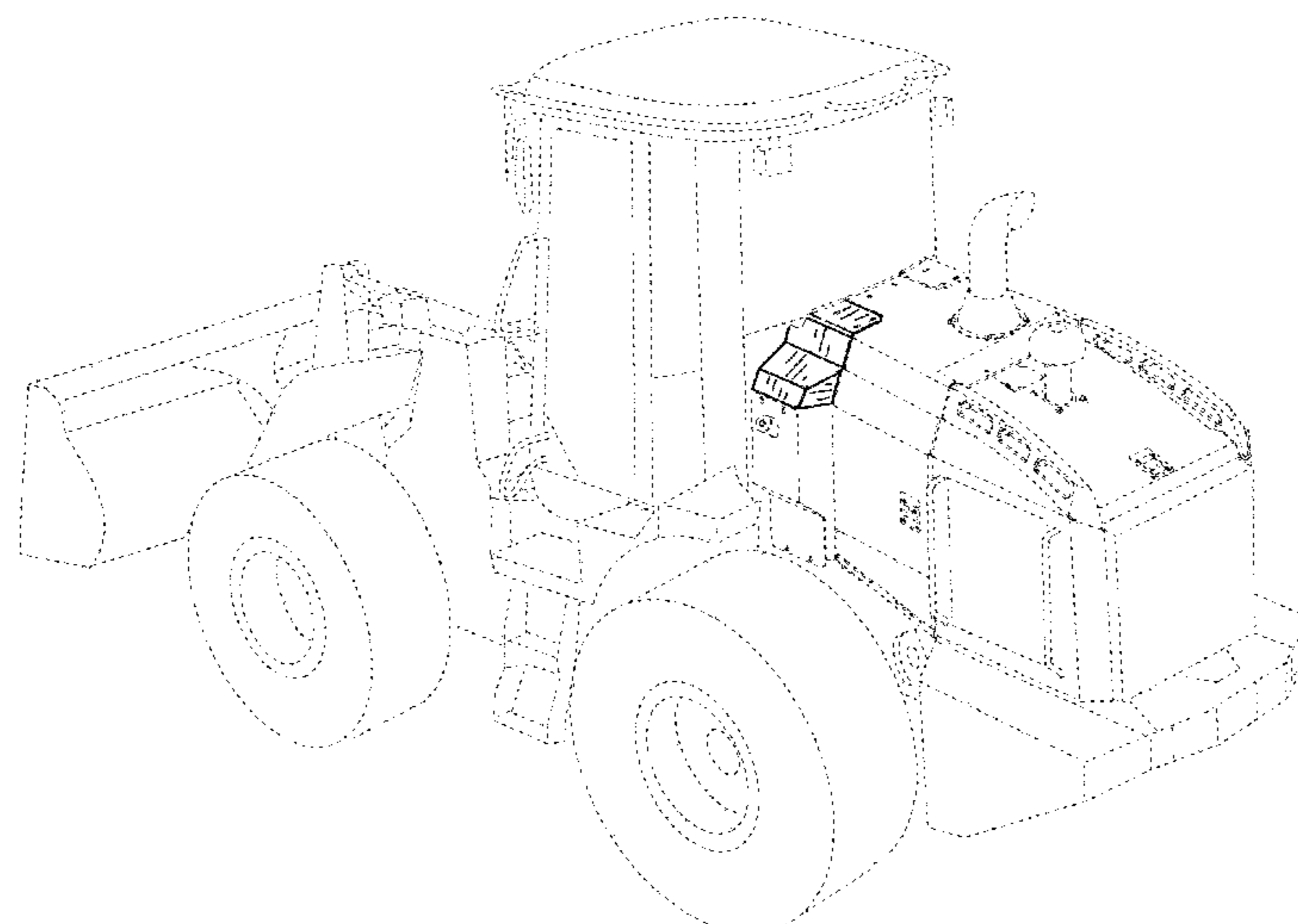
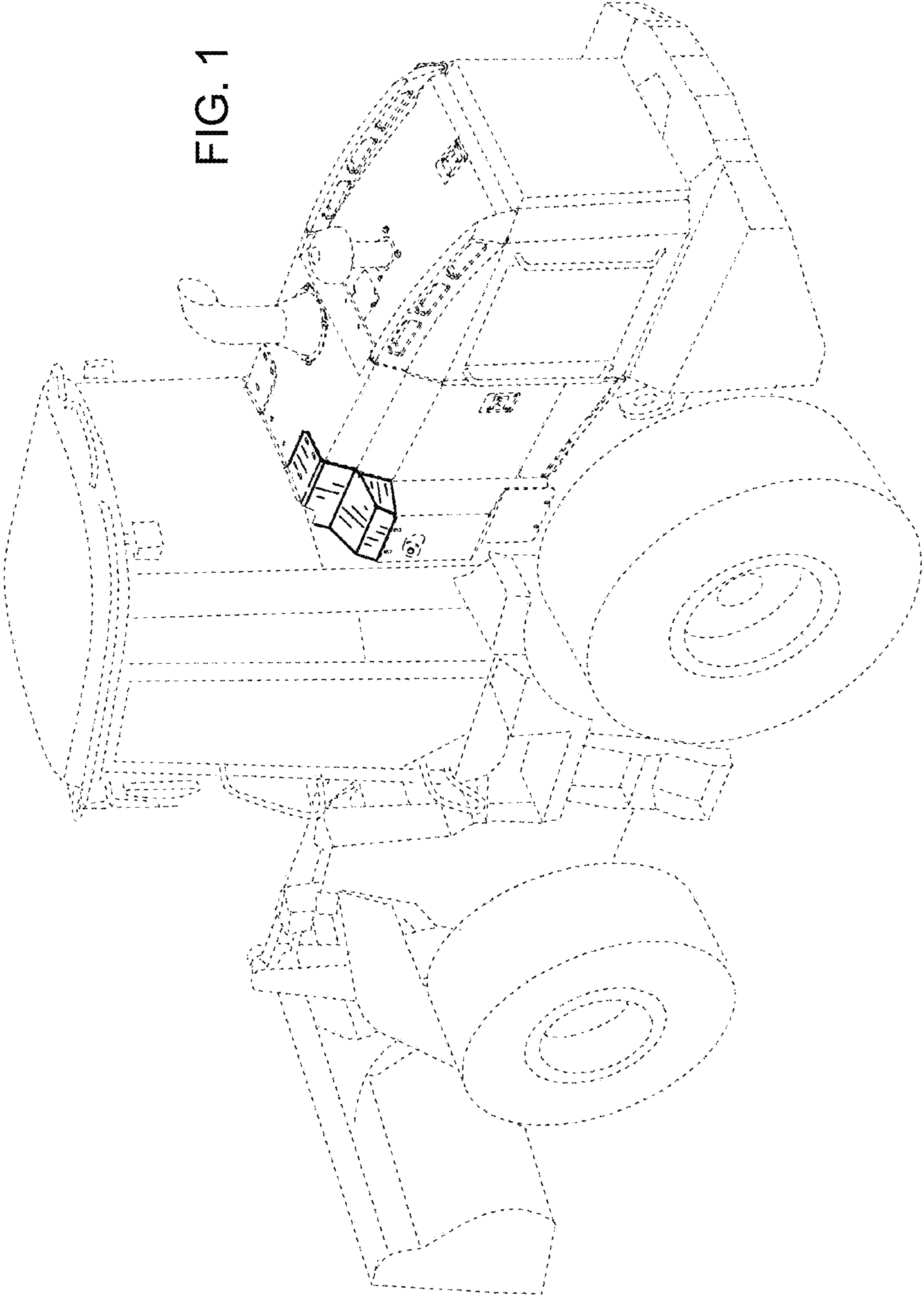


FIG. 1



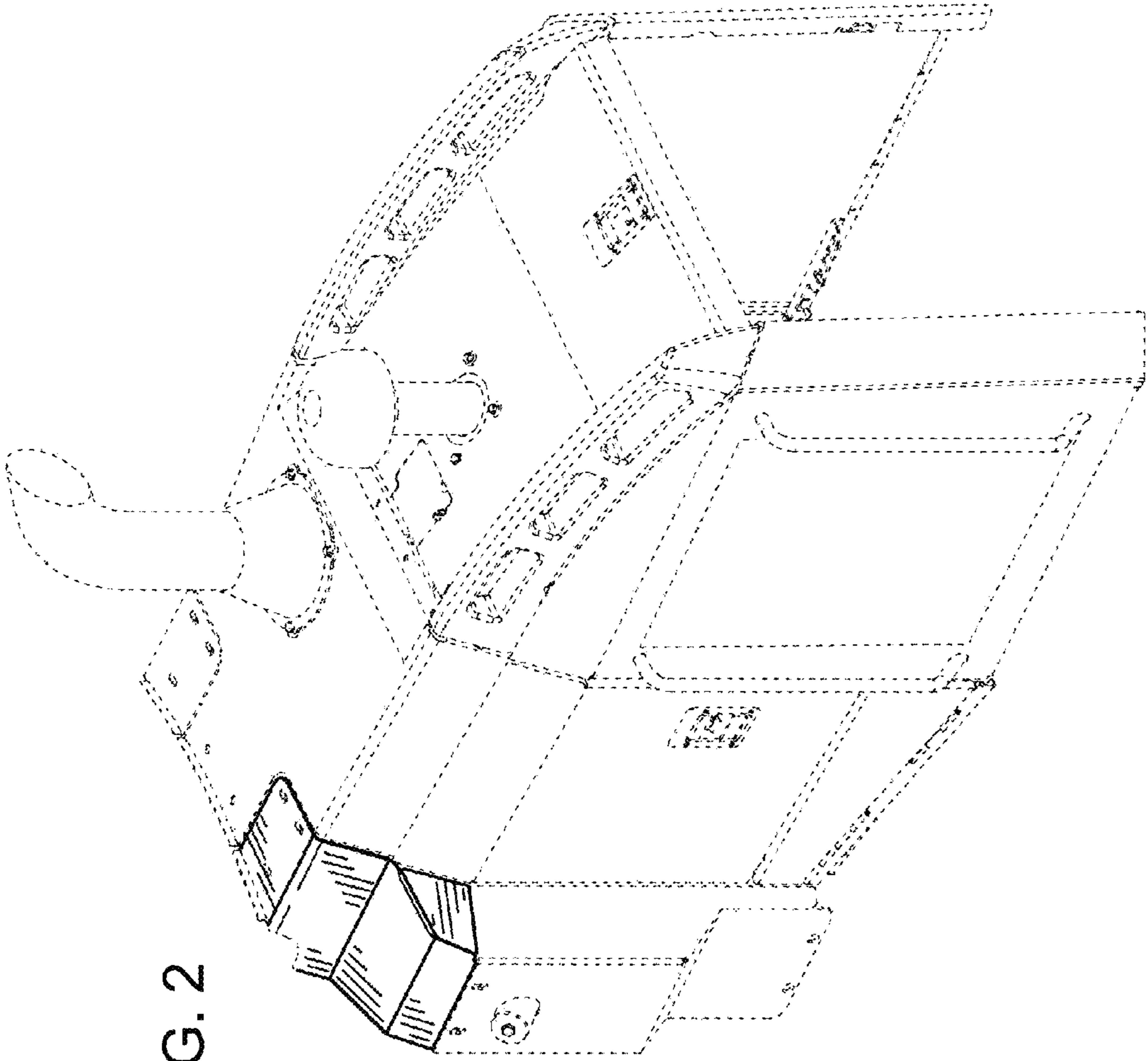


FIG. 2

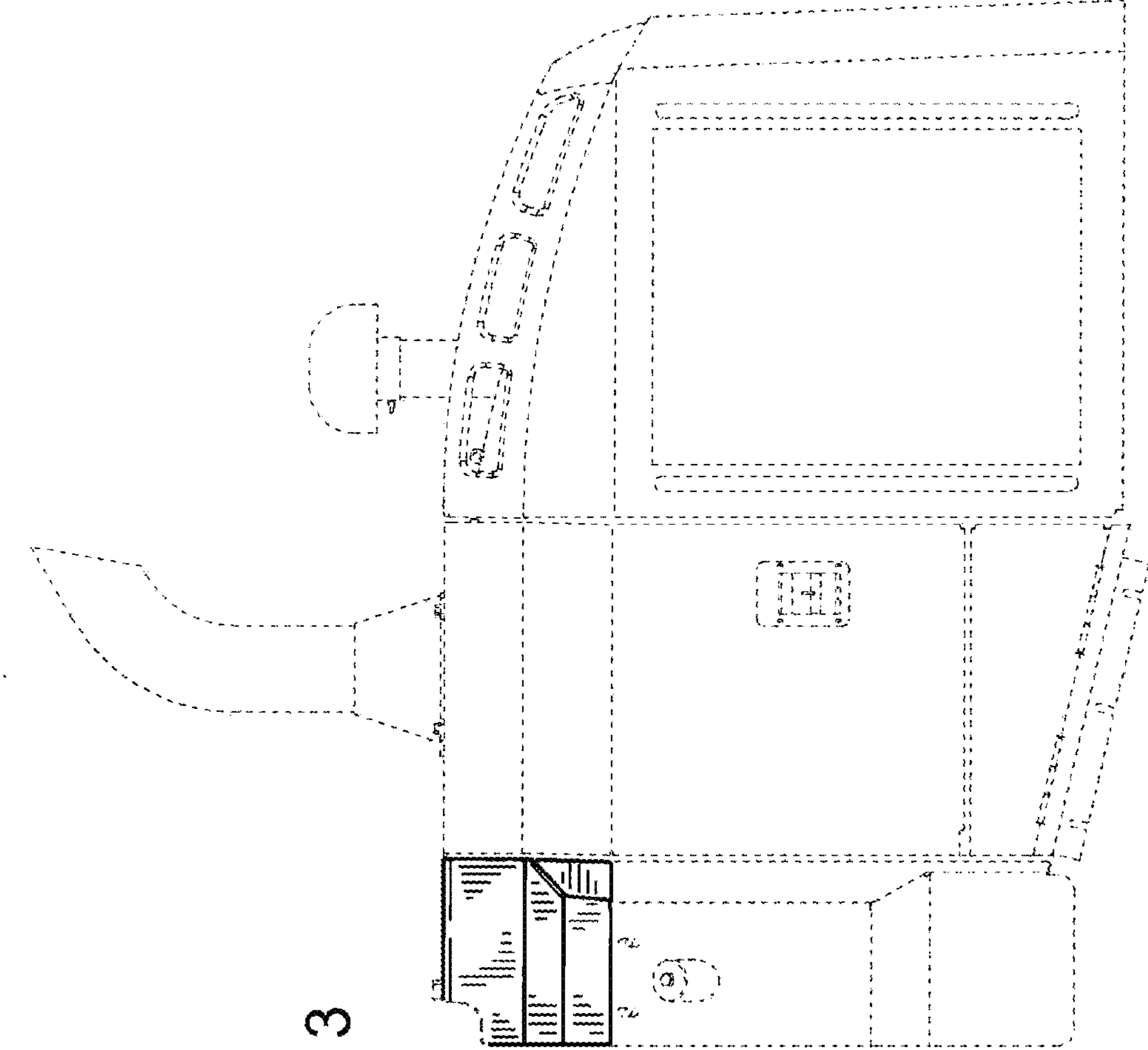


FIG. 3

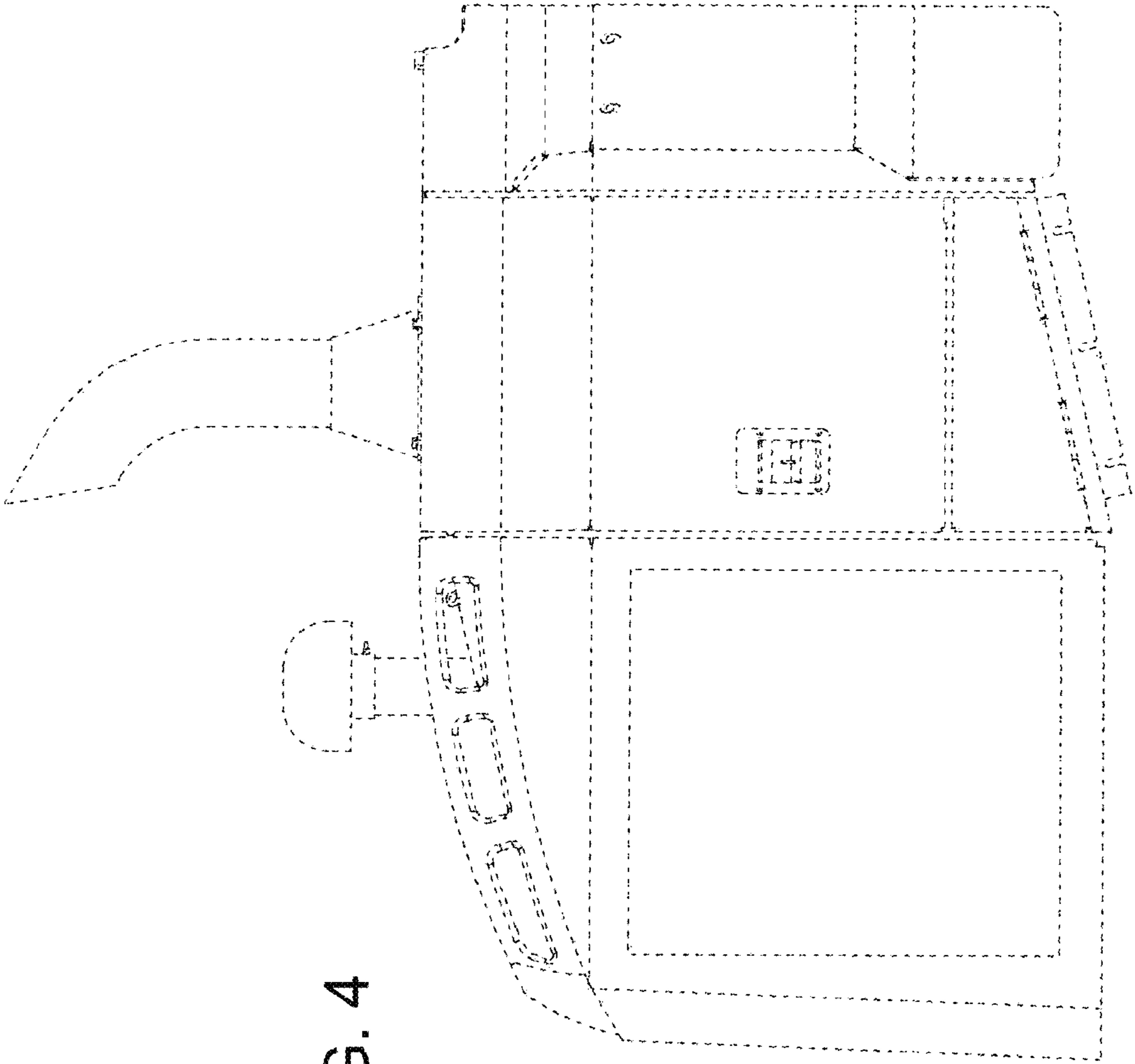


FIG. 4

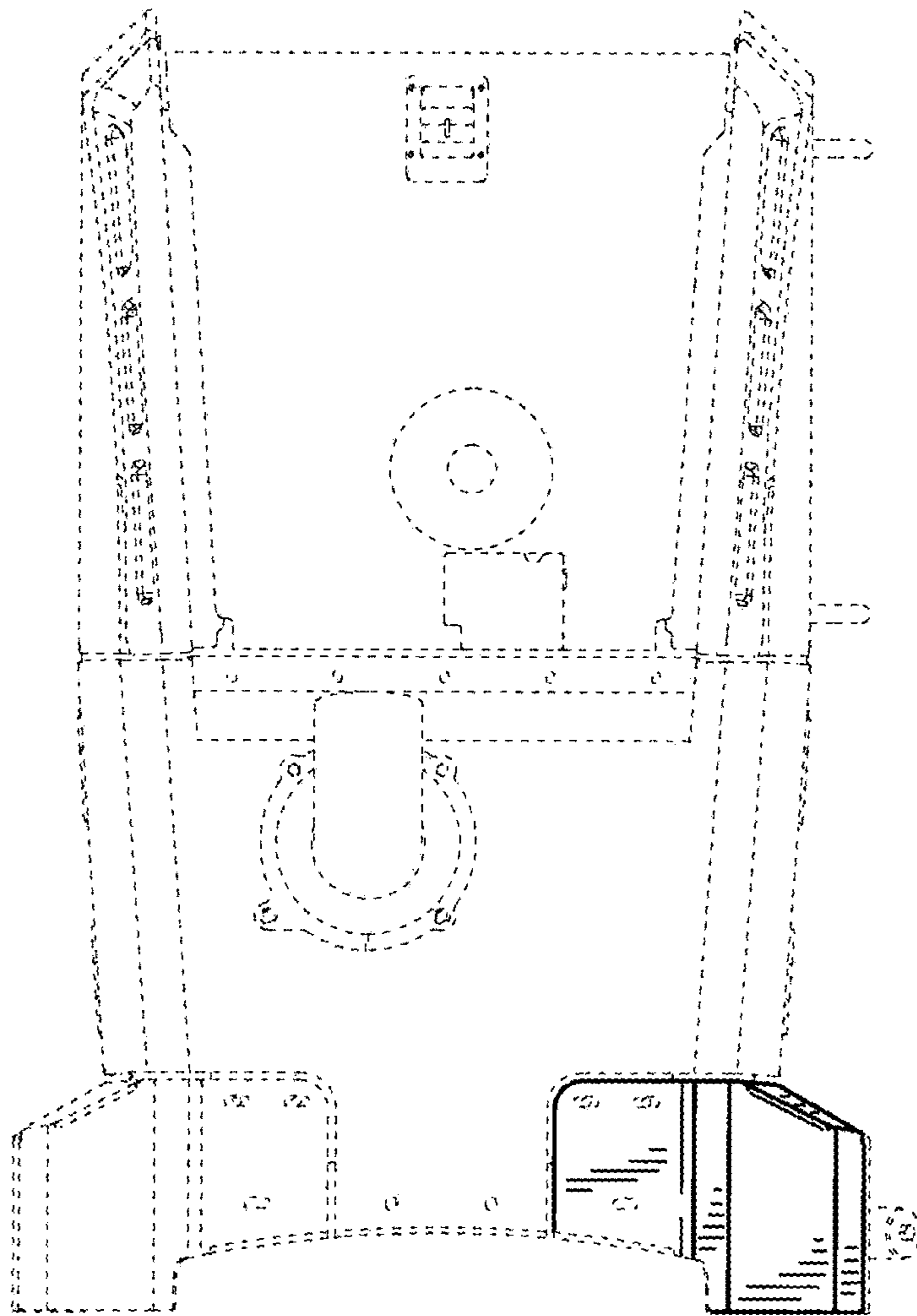


FIG. 5

FIG. 7

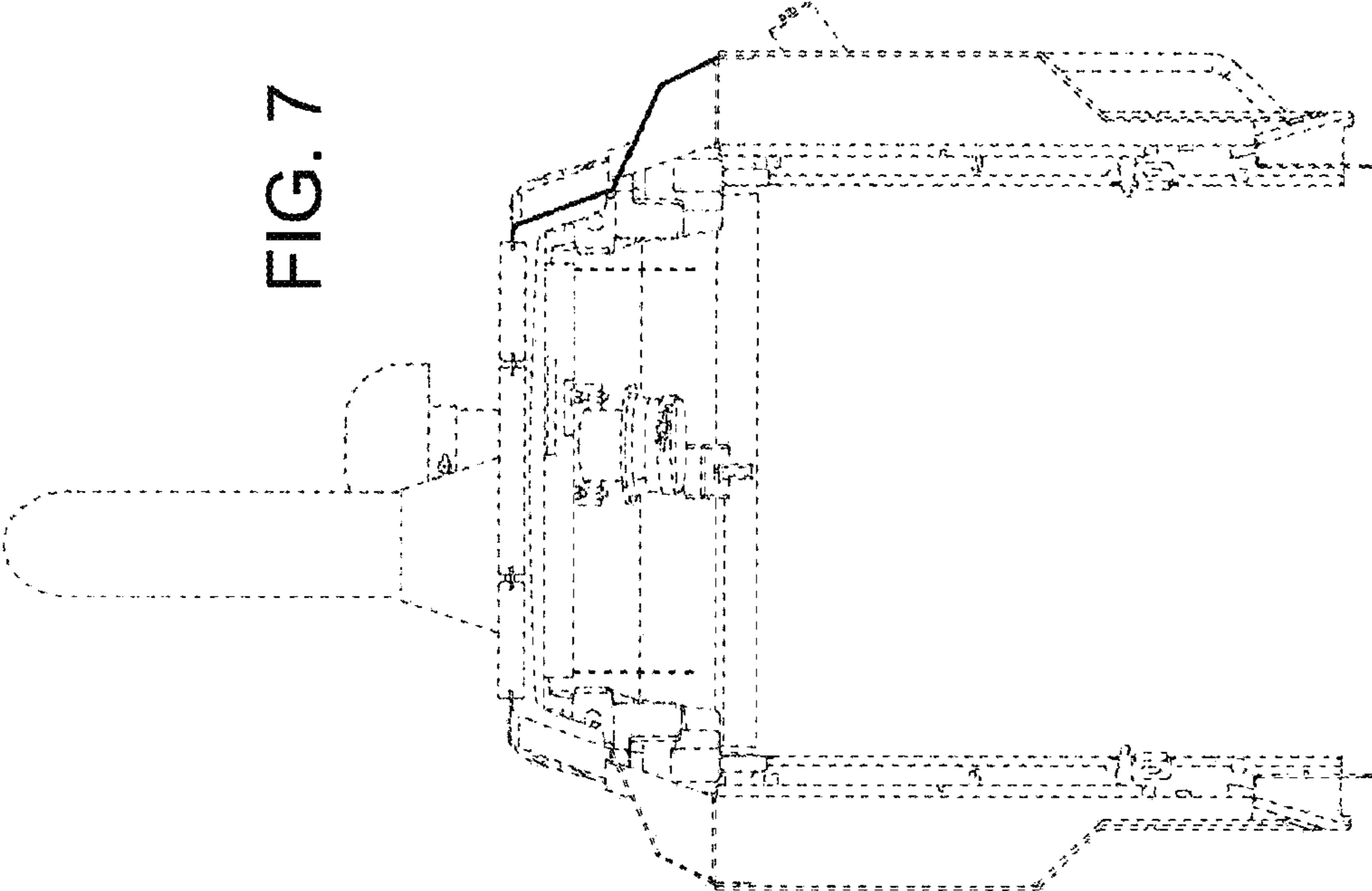
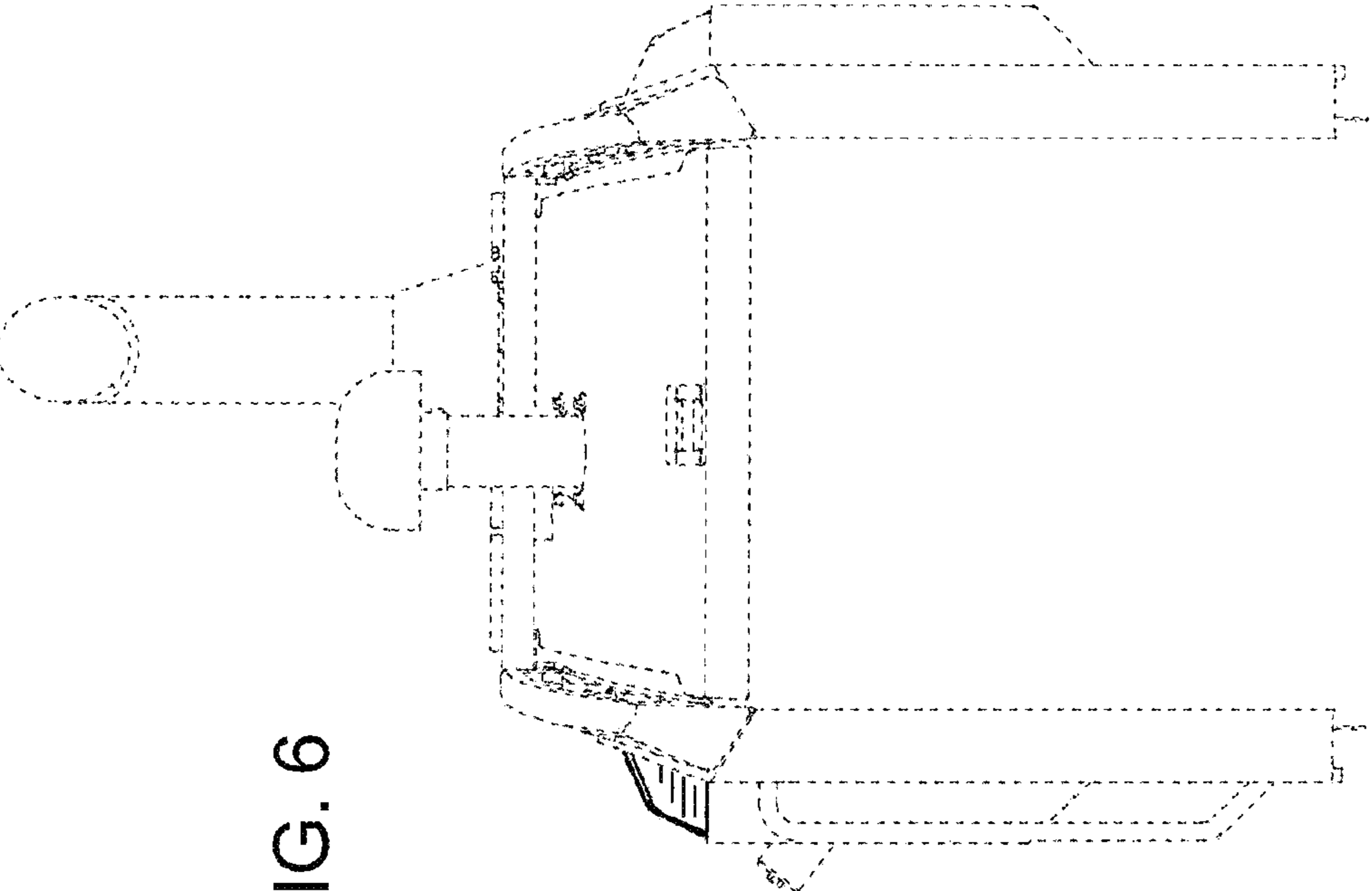


FIG. 6



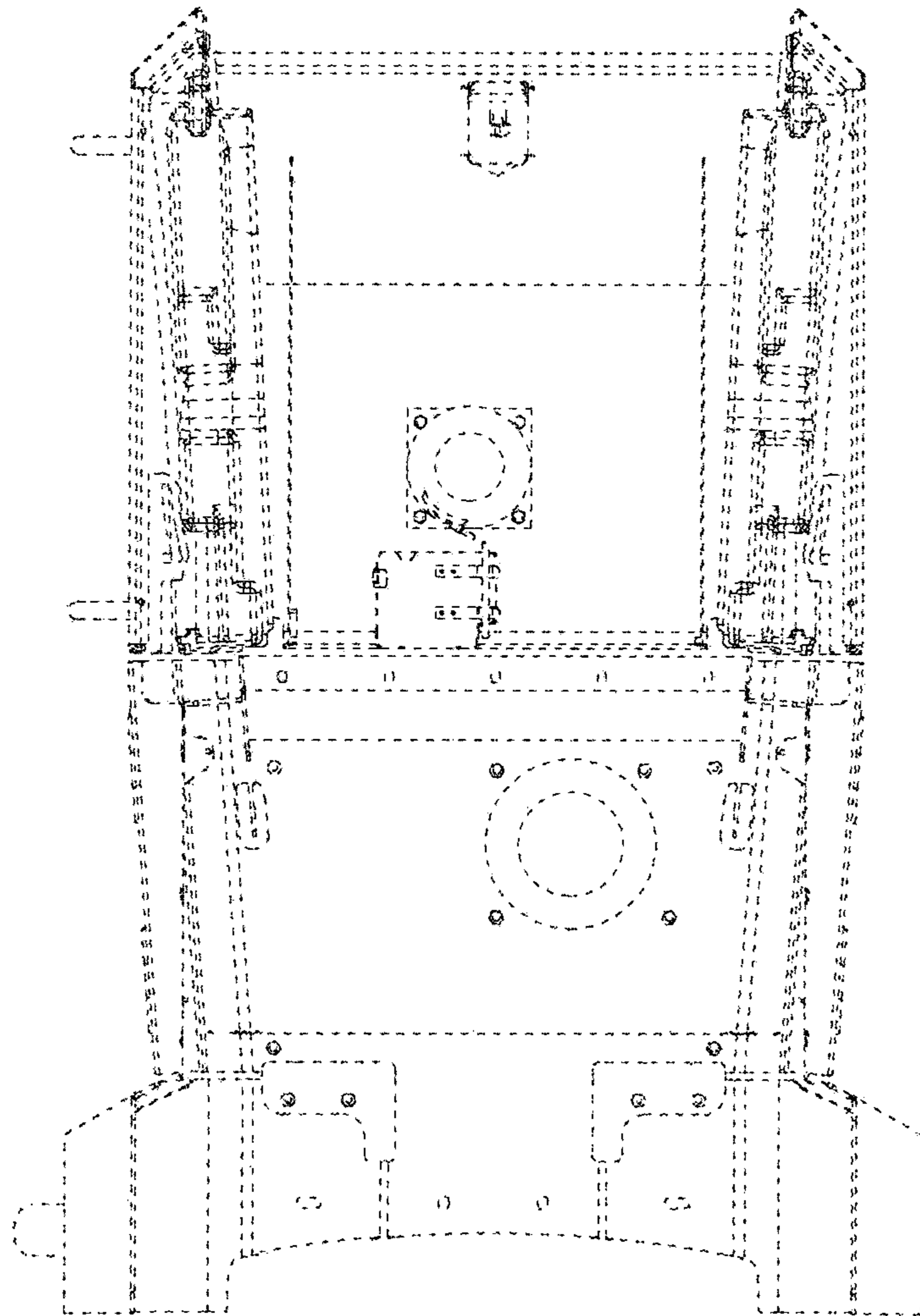


FIG. 8

FIG. 9

