



US00D752652S

(12) **United States Design Patent**
Malmqvist et al.

(10) **Patent No.:** **US D752,652 S**
(45) **Date of Patent:** **** Mar. 29, 2016**

(54) **FEED HOPPER**

(56) **References Cited**

(71) Applicant: **SANDVIK INTELLECTUAL PROPERTY AB**, Sandviken (SE)

U.S. PATENT DOCUMENTS

(72) Inventors: **Patric Malmqvist**, Svedala (SE);
Bengt-Arne Eriksson, Svedala (SE);
Frederik Eriksson, Malmo (SE); **Axel Bergman**, Malmo (SE); **Mikael Larsson**, Eslov (SE)

D484,894	S	*	1/2004	McCord et al.	D15/28
D508,700	S	*	8/2005	Sakai et al.	D15/11
D512,538	S	*	12/2005	Bird et al.	D30/121
D587,285	S	*	2/2009	Murakami et al.	D15/28
D591,774	S	*	5/2009	Kokitkar et al.	D15/28
D591,775	S	*	5/2009	Kokitkar et al.	D15/28
D681,883	S	*	5/2013	Meritt	D30/121
2005/0121469	A1	*	6/2005	Landers et al.	222/185.1
2008/0029546	A1	*	2/2008	Schuld	222/185.1
2008/0178815	A1	*	7/2008	Meritt	119/52.4
2013/0180456	A1	*	7/2013	Whitsett	119/57.92

(73) Assignee: **SANDVIK INTELLECTUAL PROPERTY AB**, Sandviken (SE)

* cited by examiner

(**) Term: **14 Years**

Primary Examiner — Cynthia Ramirez

(21) Appl. No.: **29/452,625**

Assistant Examiner — Gino Golan

(22) Filed: **Apr. 18, 2013**

(74) *Attorney, Agent, or Firm* — Corinne R. Gorski

(30) **Foreign Application Priority Data**

(57) **CLAIM**

Oct. 18, 2012	(EM)	001347678-0001
Oct. 18, 2012	(EM)	001347678-0002
Oct. 18, 2012	(EM)	001347678-0003

The ornamental design for a feed hopper, as shown and described.

(51) **LOC (10) Cl.** **15-03**

DESCRIPTION

(52) **U.S. Cl.**
USPC **D15/28**

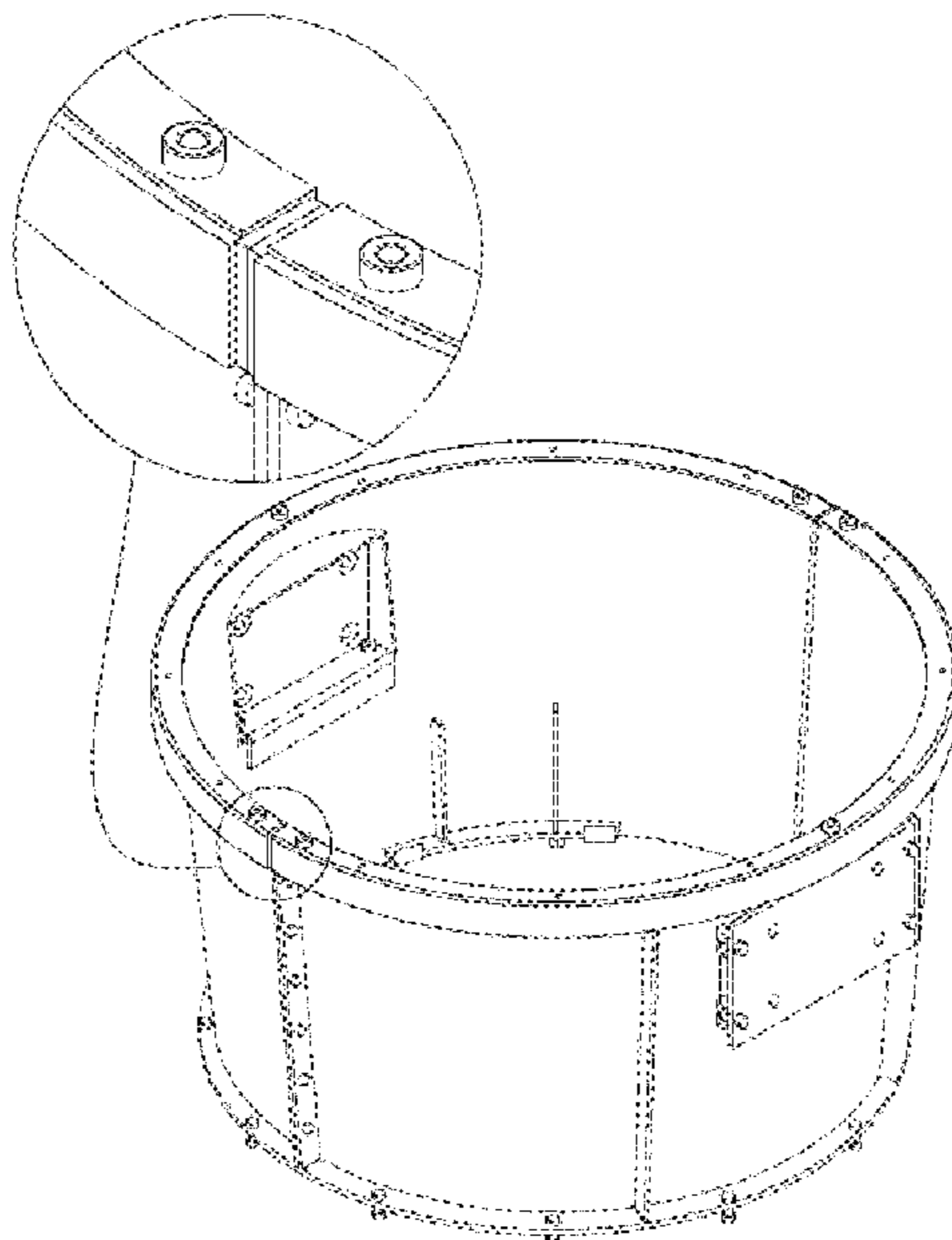
FIG. 1 is a perspective view of a feed hopper;
FIG. 2 is a top view thereof;
FIG. 3 is a bottom view thereof;
FIG. 4 is a side view thereof;
FIG. 5 is another side view thereof; and,
FIG. 6 is an end side view the opposite side view being a mirror image thereof.

(58) **Field of Classification Search**
USPC D15/28, 10-27, 29-33; 119/57.6, 52.1,
119/57.5, 57.92; 222/185.1, 482
CPC B65D 88/28; B65D 2588/645; B65D
2590/547; B65G 47/19; B65G 47/1407;
B65G 47/1428; B65G 15/42

The broken lines shown in the figures are included-for the purpose of illustrating portions of the feed hopper and form no part of the claimed design.

See application file for complete search history.

1 Claim, 6 Drawing Sheets



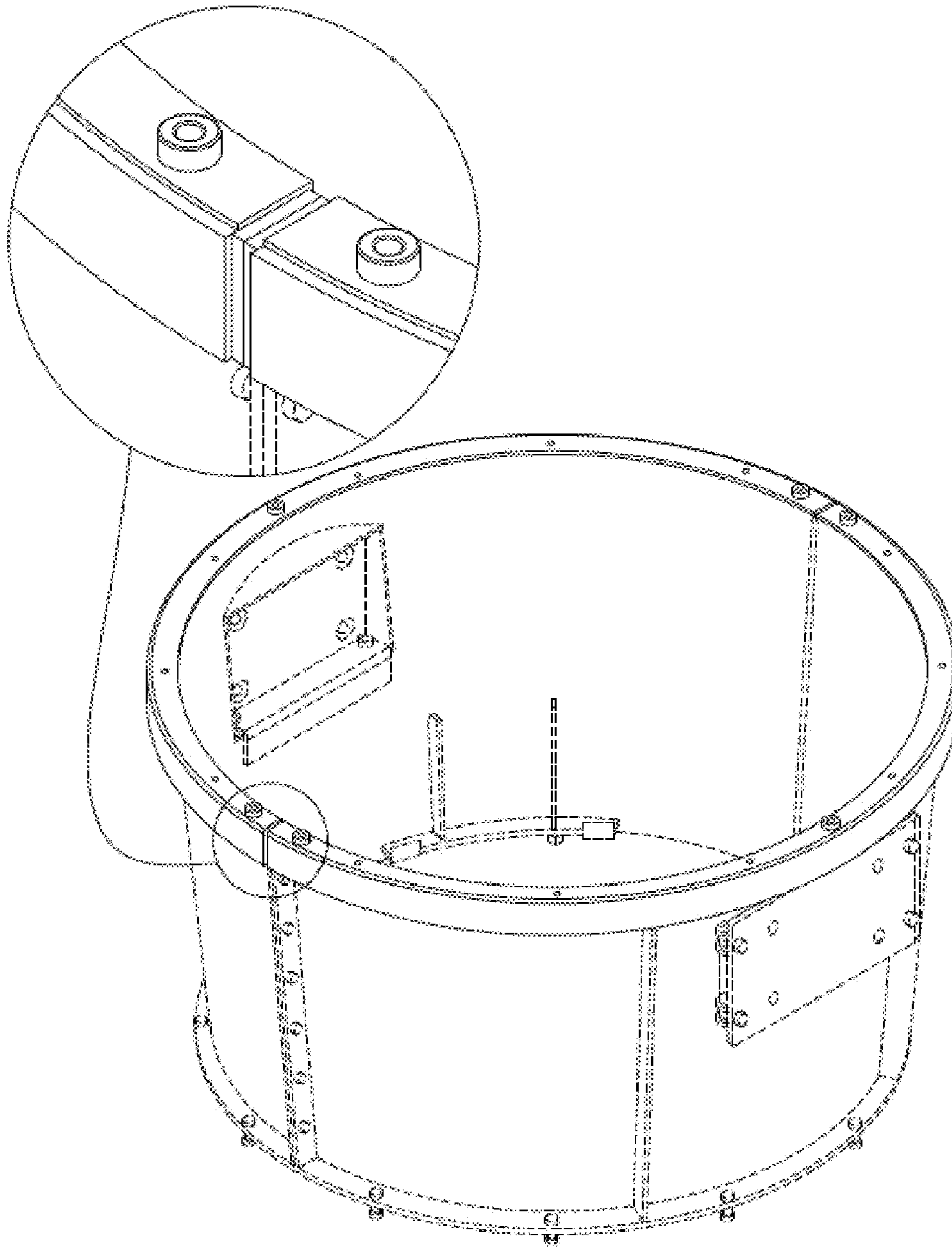


Fig. 1

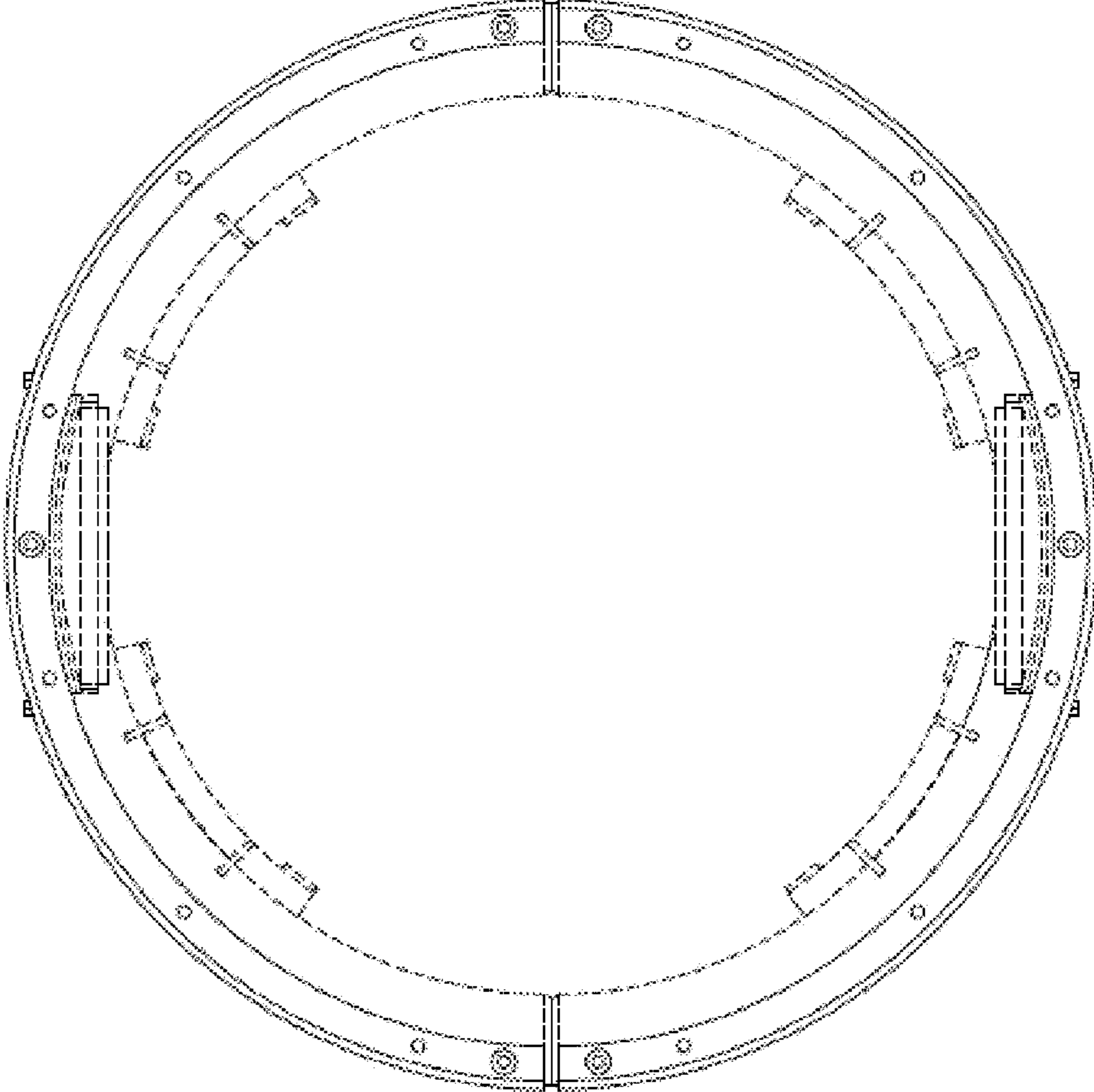


Fig. 2

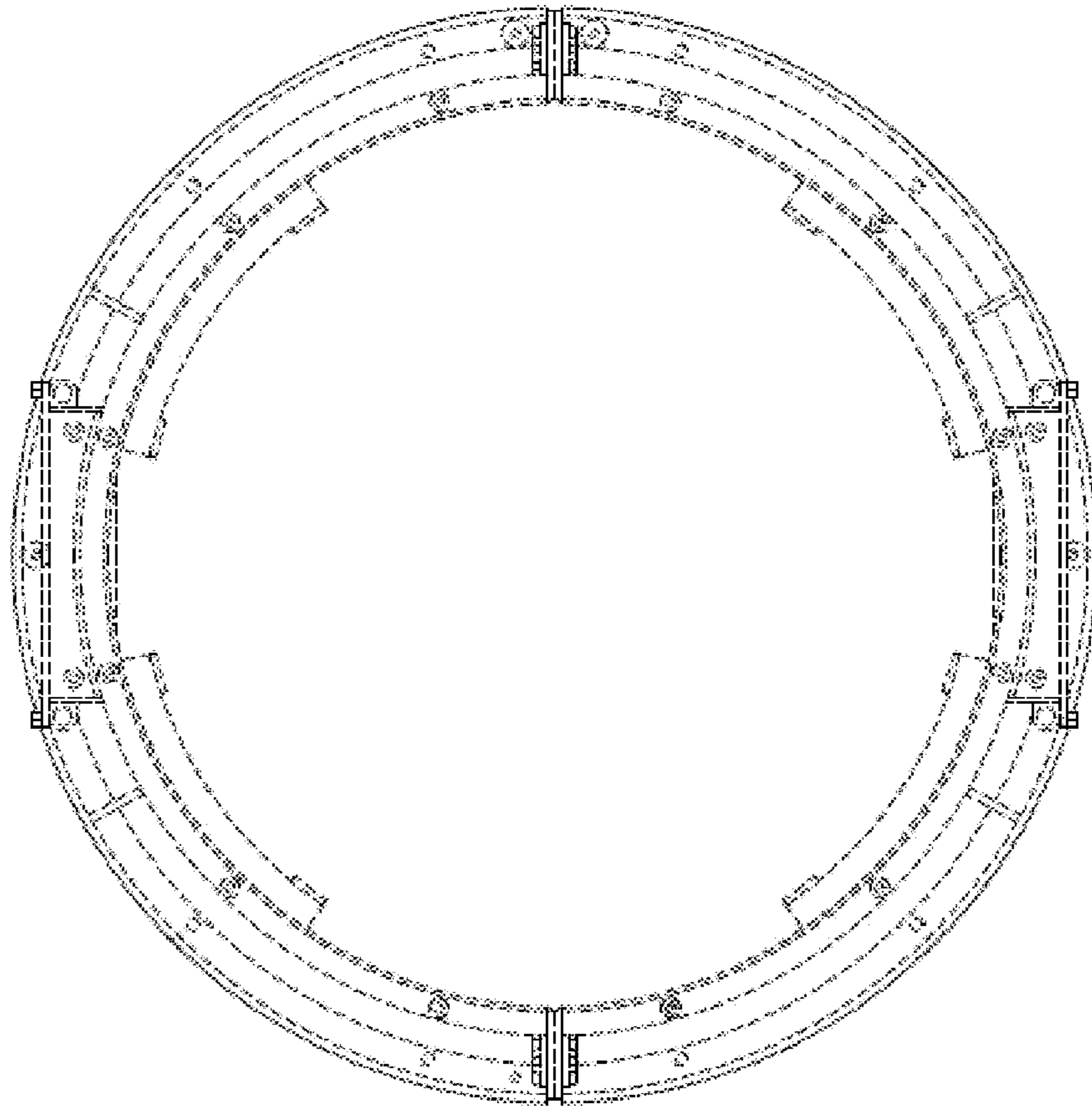


Fig. 3

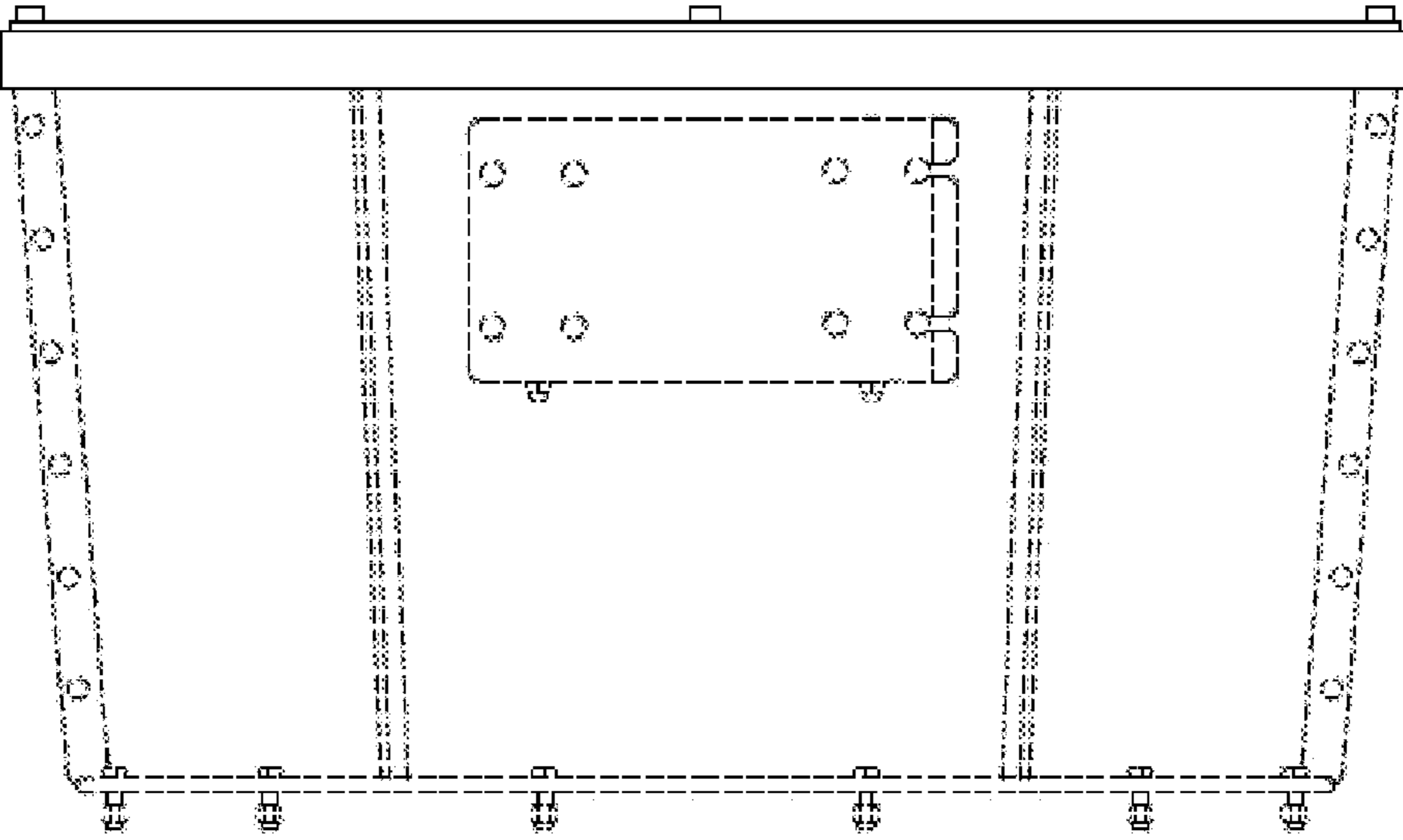


Fig. 4

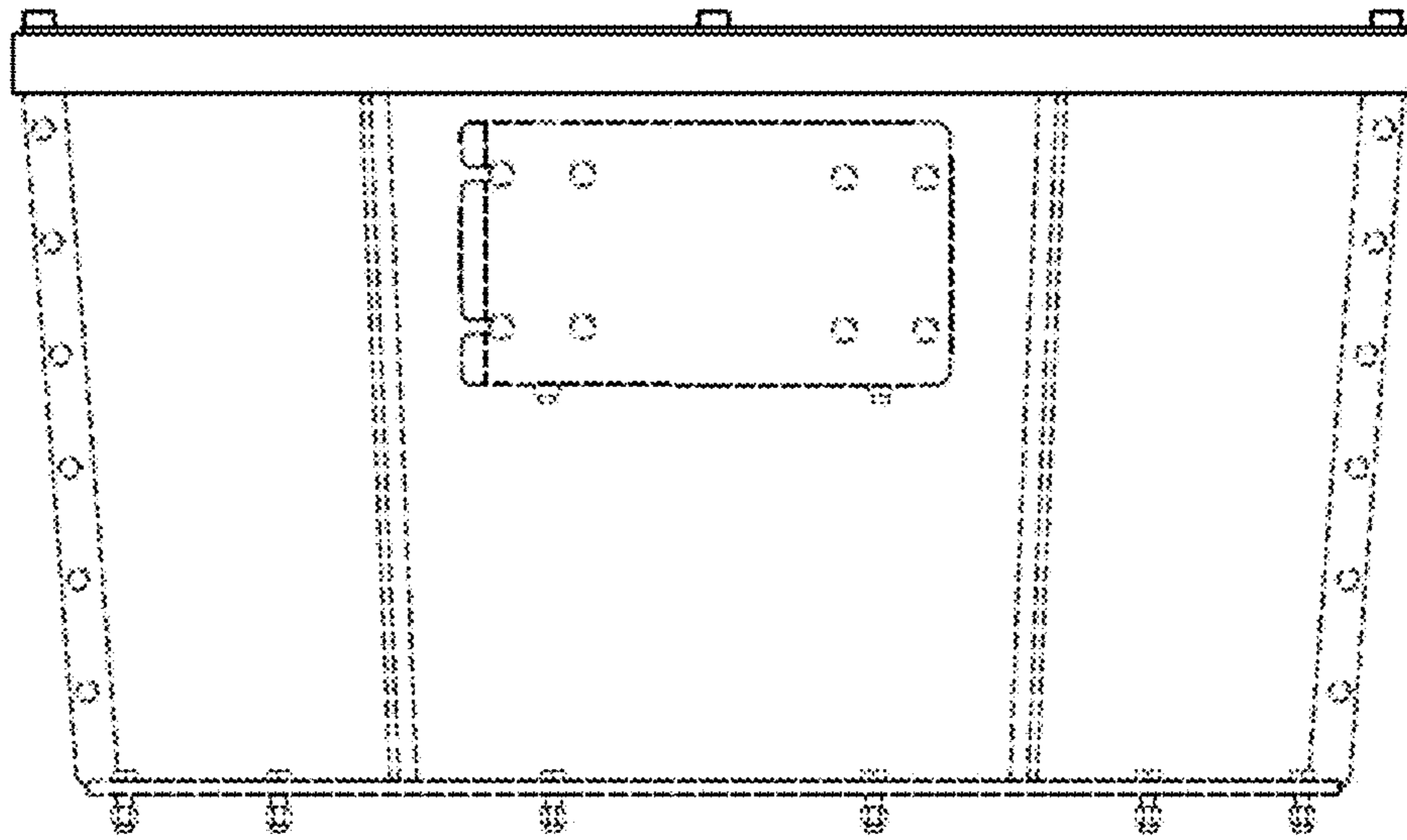


Fig. 5

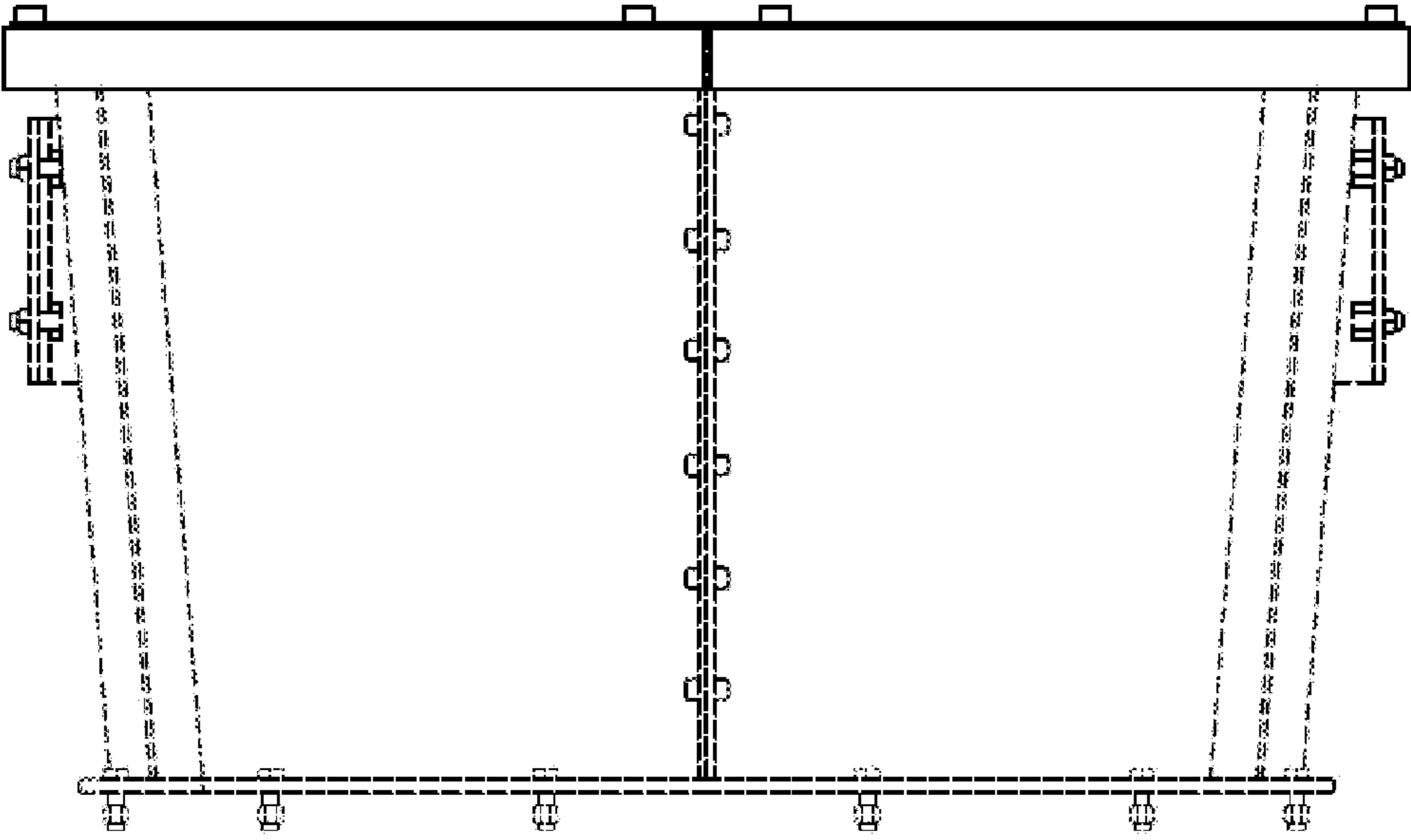


Fig. 6