



US00D752647S

(12) **United States Design Patent**
Matsumura

(10) **Patent No.:** **US D752,647 S**
(45) **Date of Patent:** **** Mar. 29, 2016**

(54) **DIGITAL VIDEO DISC PLAYER WITH
TUNER AND AMPLIFIER FOR AUTOMOBILE**

(71) Applicant: **PIONEER CORPORATION,**
Kawasaki-shi, Kanagawa (JP)

(72) Inventor: **Takashi Matsumura,** Kawasaki (JP)

(73) Assignee: **PIONEER CORPORATION,**
Kawasaki-shi, Kanagawa (JP)

(**) Term: **14 Years**

(21) Appl. No.: **29/506,814**

(22) Filed: **Oct. 21, 2014**

(30) **Foreign Application Priority Data**

Jul. 14, 2014 (JP) 2014-015347

(51) **LOC (10) CL.** **14-03**

(52) **U.S. CL.**
USPC **D14/496; D14/132; D14/203.7**

(58) **Field of Classification Search**
USPC D14/496, 498-505, 511, 129, 132, 157,
D14/167, 168, 188, 197, 198, 257, 258,
D14/203.3, 203.8; 360/99.07; 369/75.11,
369/75.21, 77.11, 77.21; 455/344,
455/347-351; 720/601, 612, 619, 649, 655;
D10/65
CPC ... G06F 1/1601; G06F 1/1643; H05K 5/0004;
H05K 5/0017; H05K 5/02; H05K 5/0217
See application file for complete search history.

(56) **References Cited**

U.S. PATENT DOCUMENTS

4,983,951 A * 1/1991 Igarashi B60K 37/02
340/461
5,173,686 A * 12/1992 Fujihara G09F 9/35
248/920
5,388,032 A * 2/1995 Gill A47B 21/0314
361/679.01

6,168,250 B1 * 1/2001 Rogov A47B 21/0073
248/917
6,816,177 B2 * 11/2004 Wang B60R 11/0235
312/319.6
D533,859 S * 12/2006 Nishii D14/129
D550,637 S * 9/2007 Iwamoto D14/132
D564,473 S * 3/2008 Nemoto D14/129
D572,218 S * 7/2008 Iwamoto D14/132
D575,252 S * 8/2008 Iwamoto D14/132
D580,898 S * 11/2008 Aihara D14/132
D623,626 S * 9/2010 Tomono D14/132
D630,612 S * 1/2011 Tomono D14/132

FOREIGN PATENT DOCUMENTS

JP 1367442 8/2009
JP 1389480 6/2010
JP 1463062 2/2013

* cited by examiner

Primary Examiner — Prabhakar Deshmukh

(74) *Attorney, Agent, or Firm* — Drinker Biddle & Reath
LLP

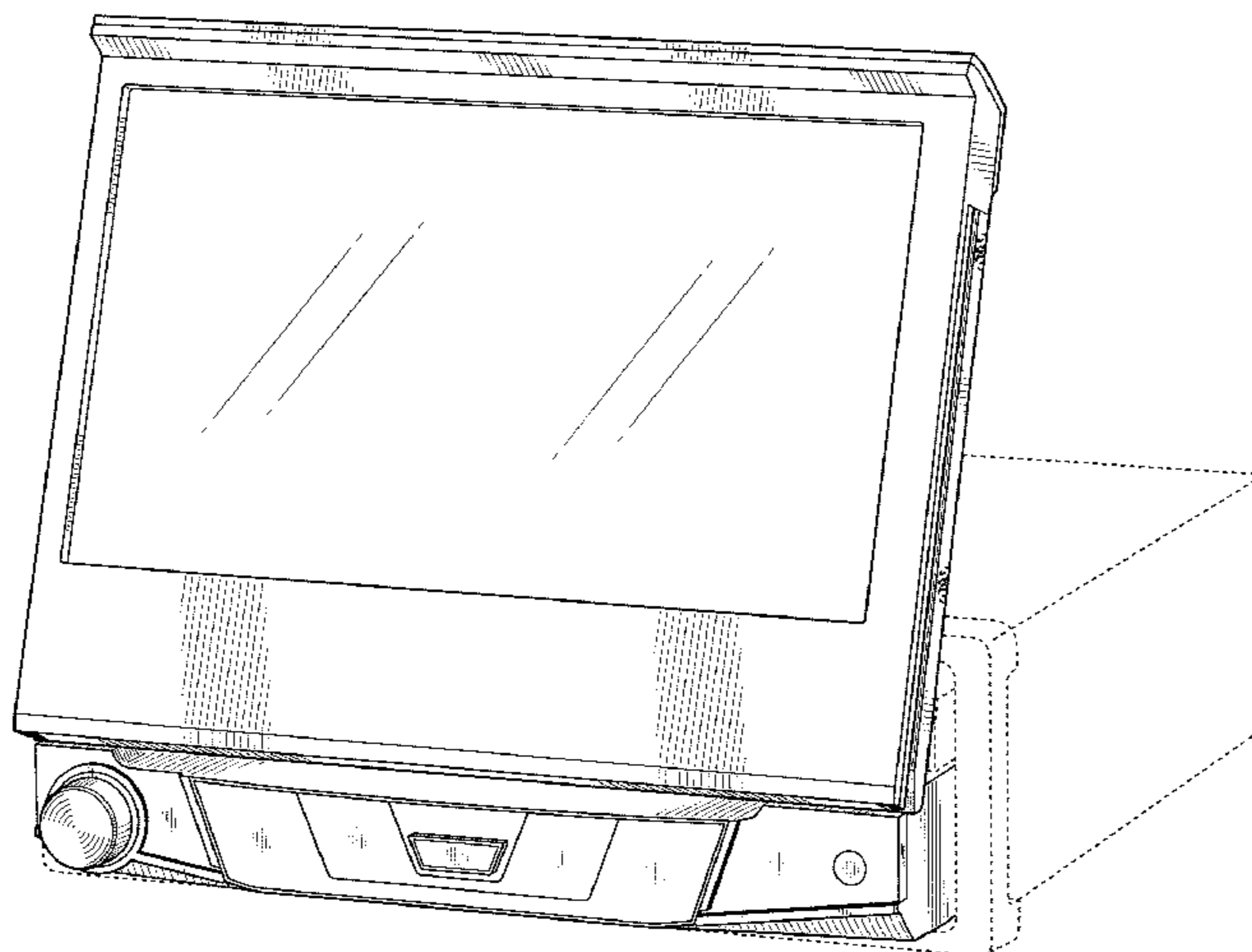
(57) **CLAIM**

The ornamental design for digital video disc player with tuner and amplifier for automobile, as shown and described.

DESCRIPTION

FIG. 1 is a perspective view of front and right side of digital video disc player with tuner and amplifier for automobile showing my new design;
FIG. 2 is a front view thereof;
FIG. 3 is a rear view thereof;
FIG. 4 is a left side view thereof;
FIG. 5 is a right side view thereof;
FIG. 6 is a top view thereof;
FIG. 7 is a bottom view thereof; and,
FIG. 8 is a front view showing another embodiment showing a state that the display is stored.
The portions of the article in broken lines form no part of the claimed design.

1 Claim, 8 Drawing Sheets



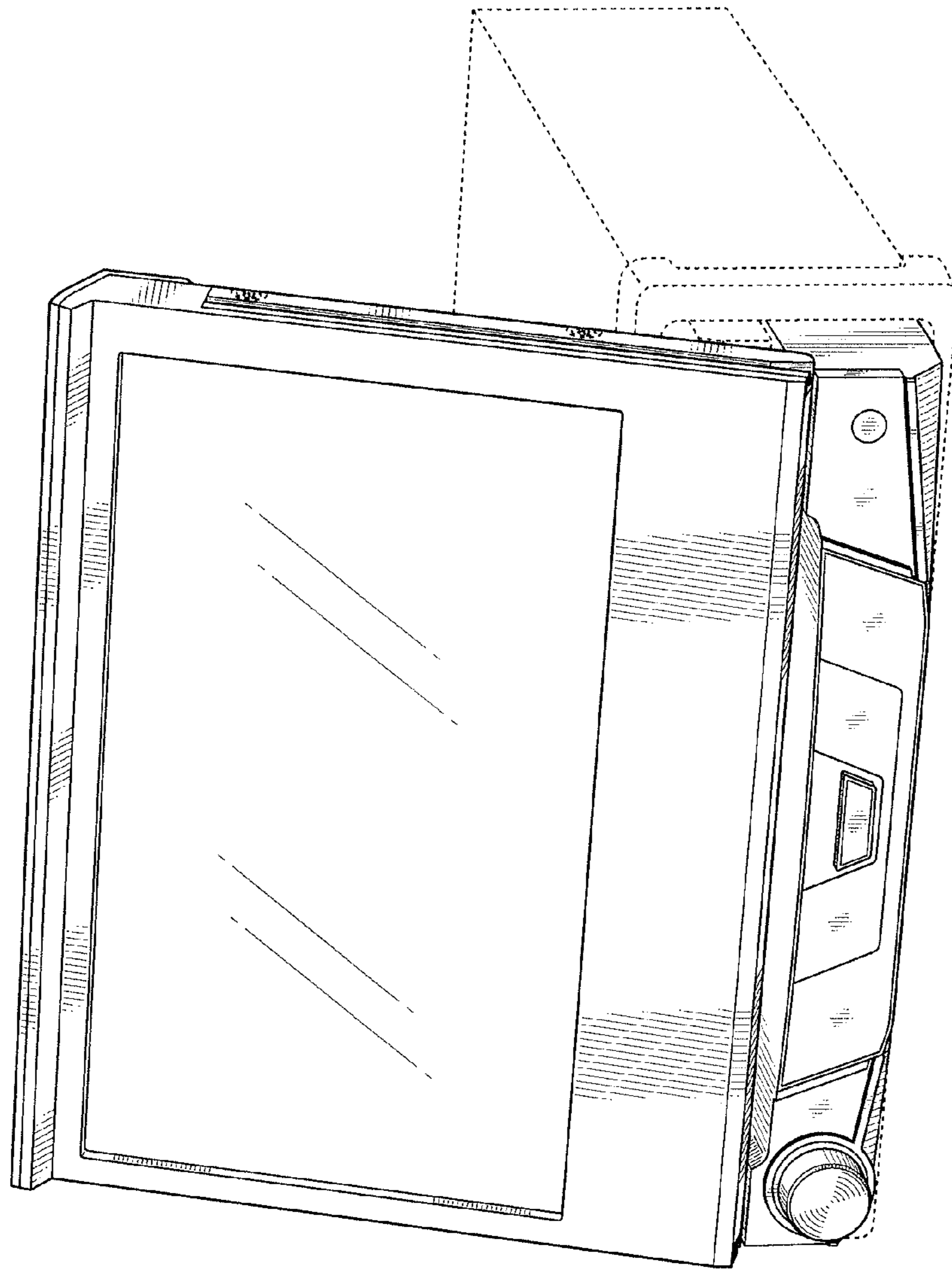


FIG. 1

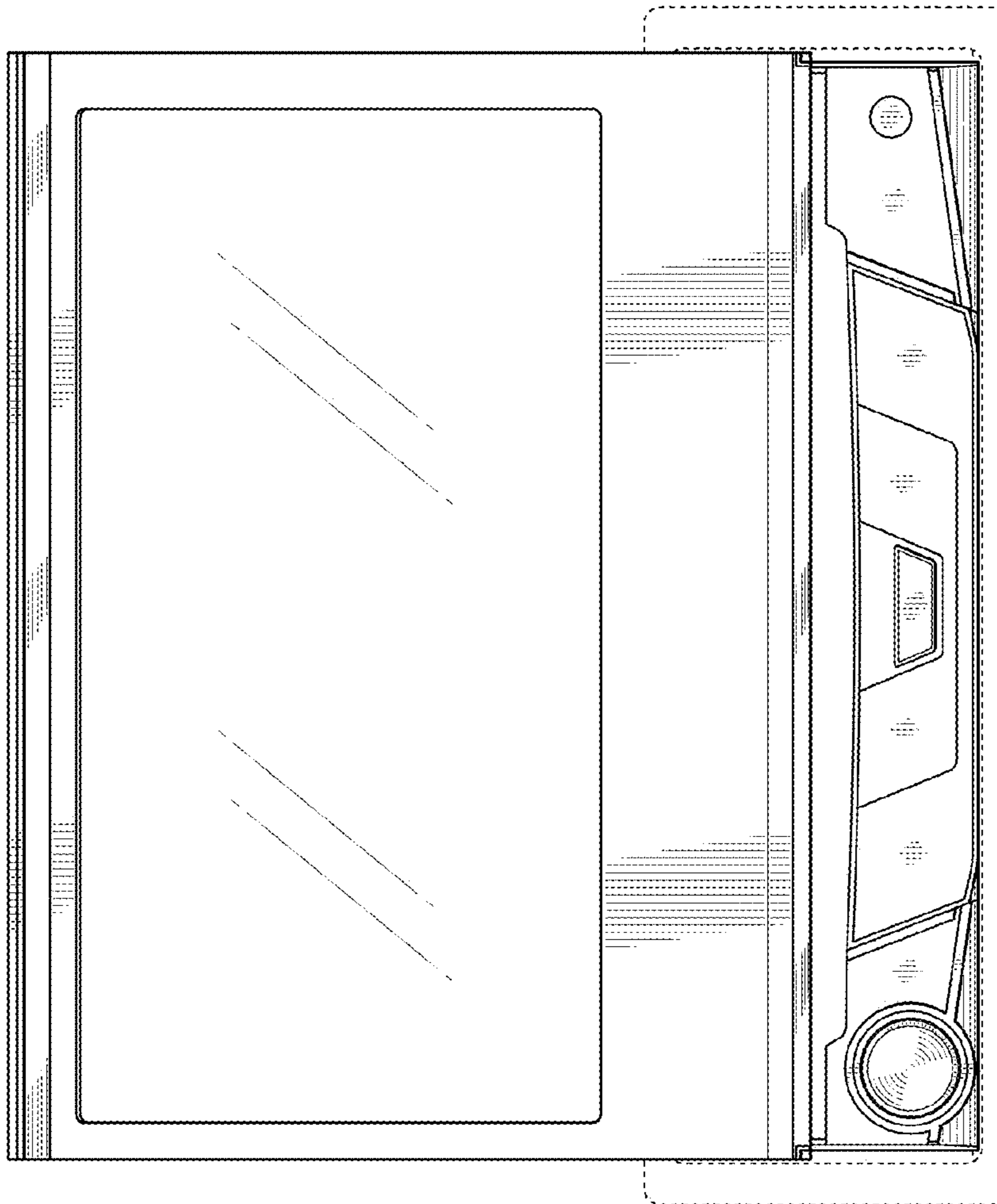


FIG. 2

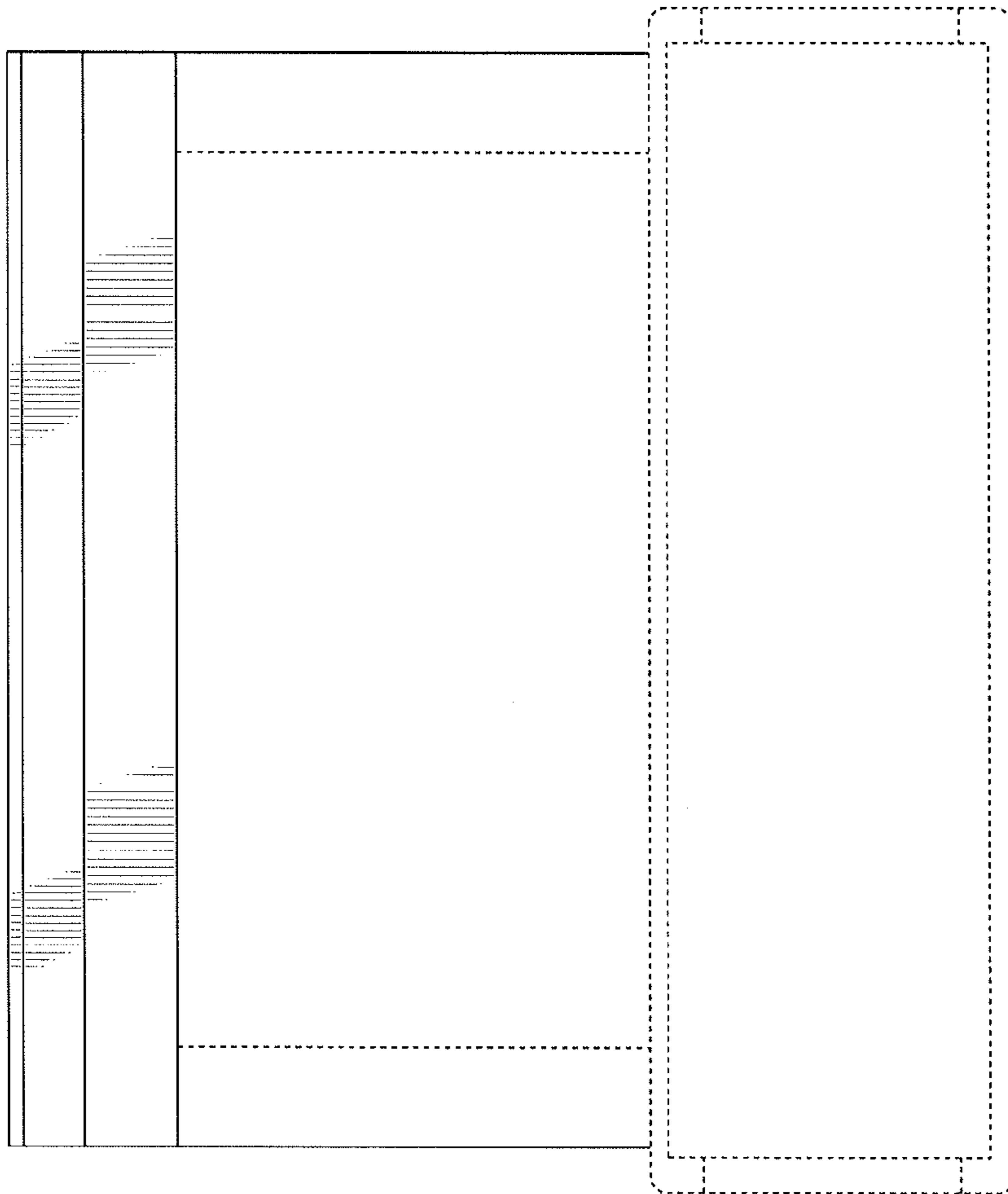


FIG. 3

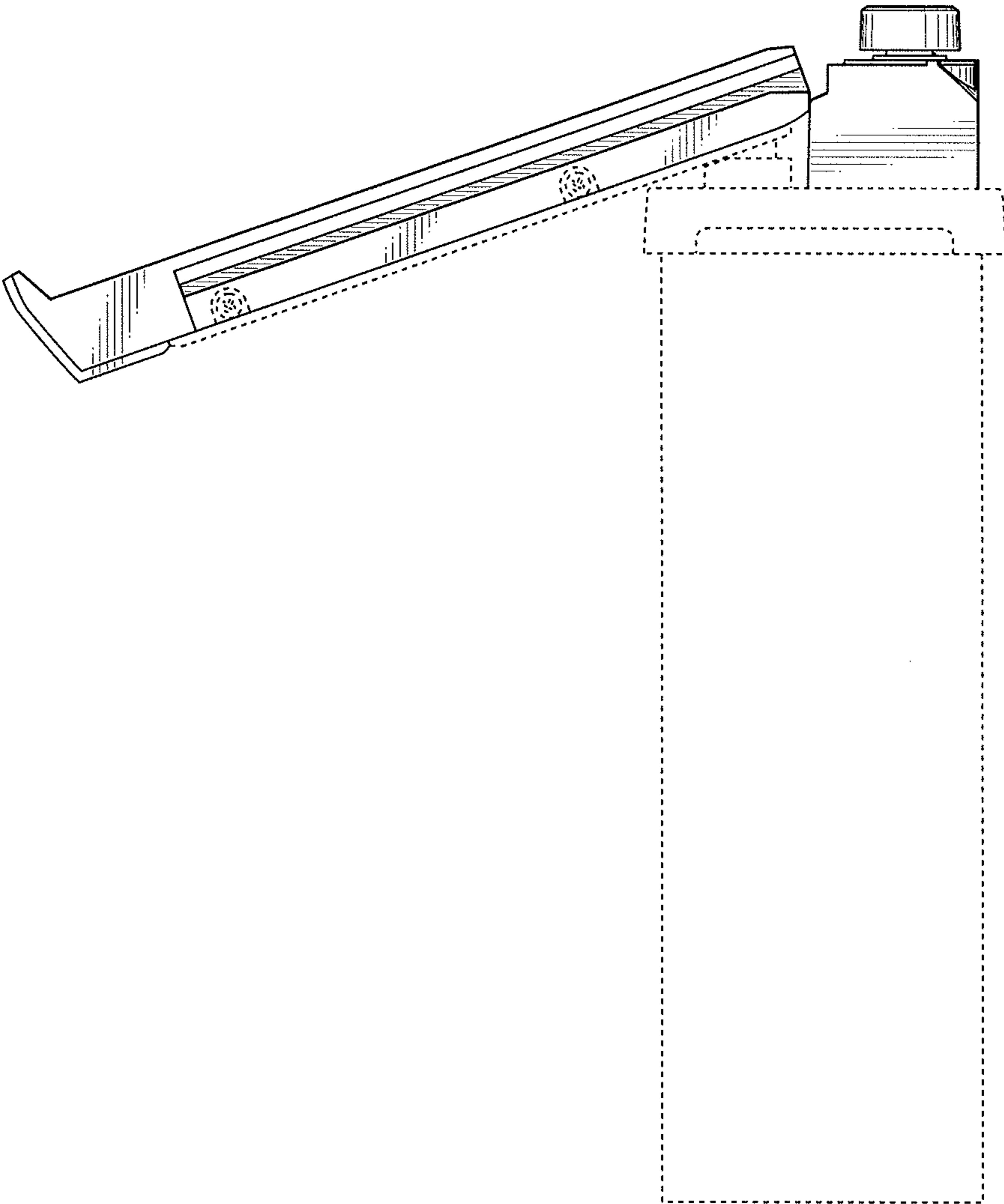


FIG. 4

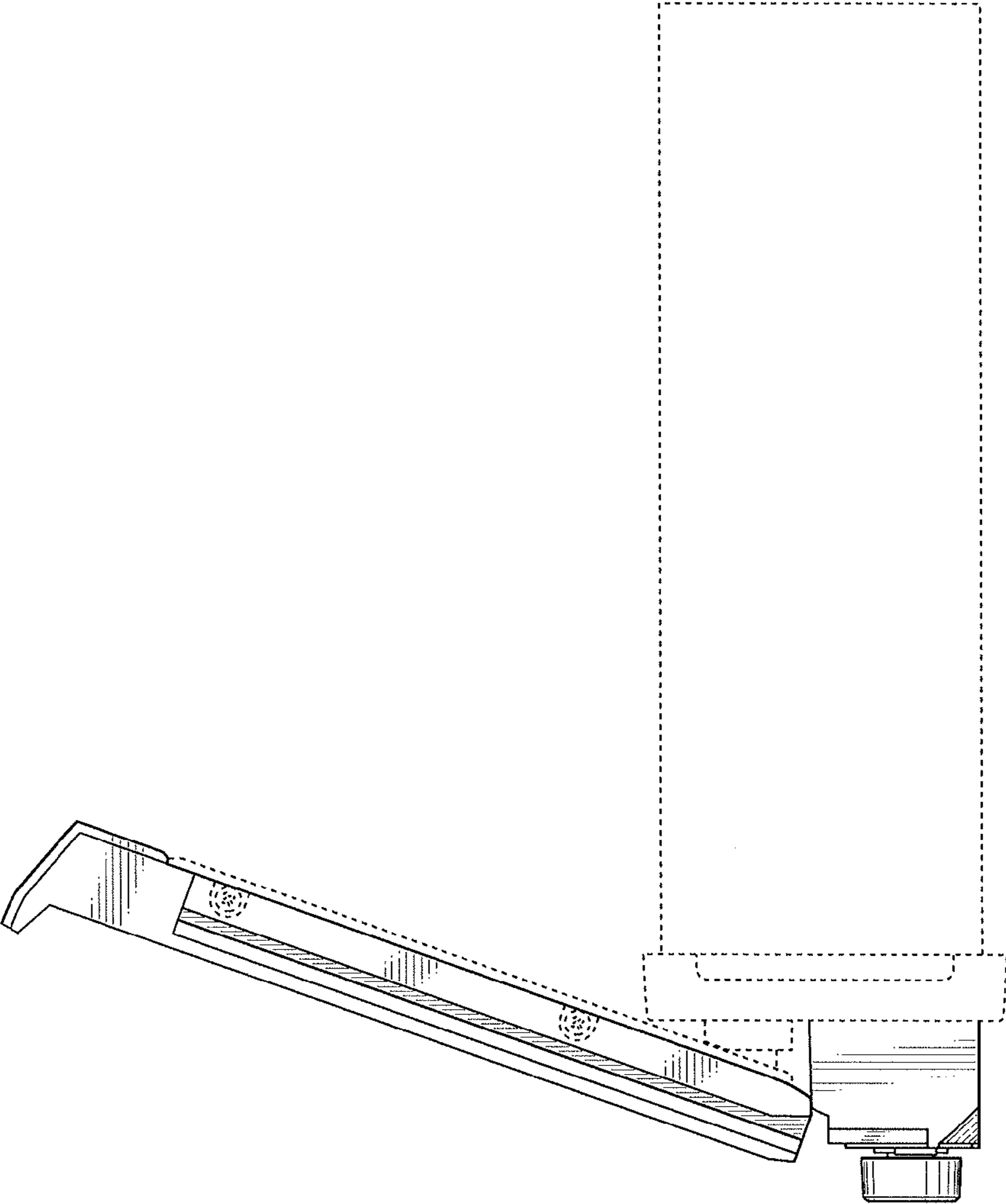


FIG. 5

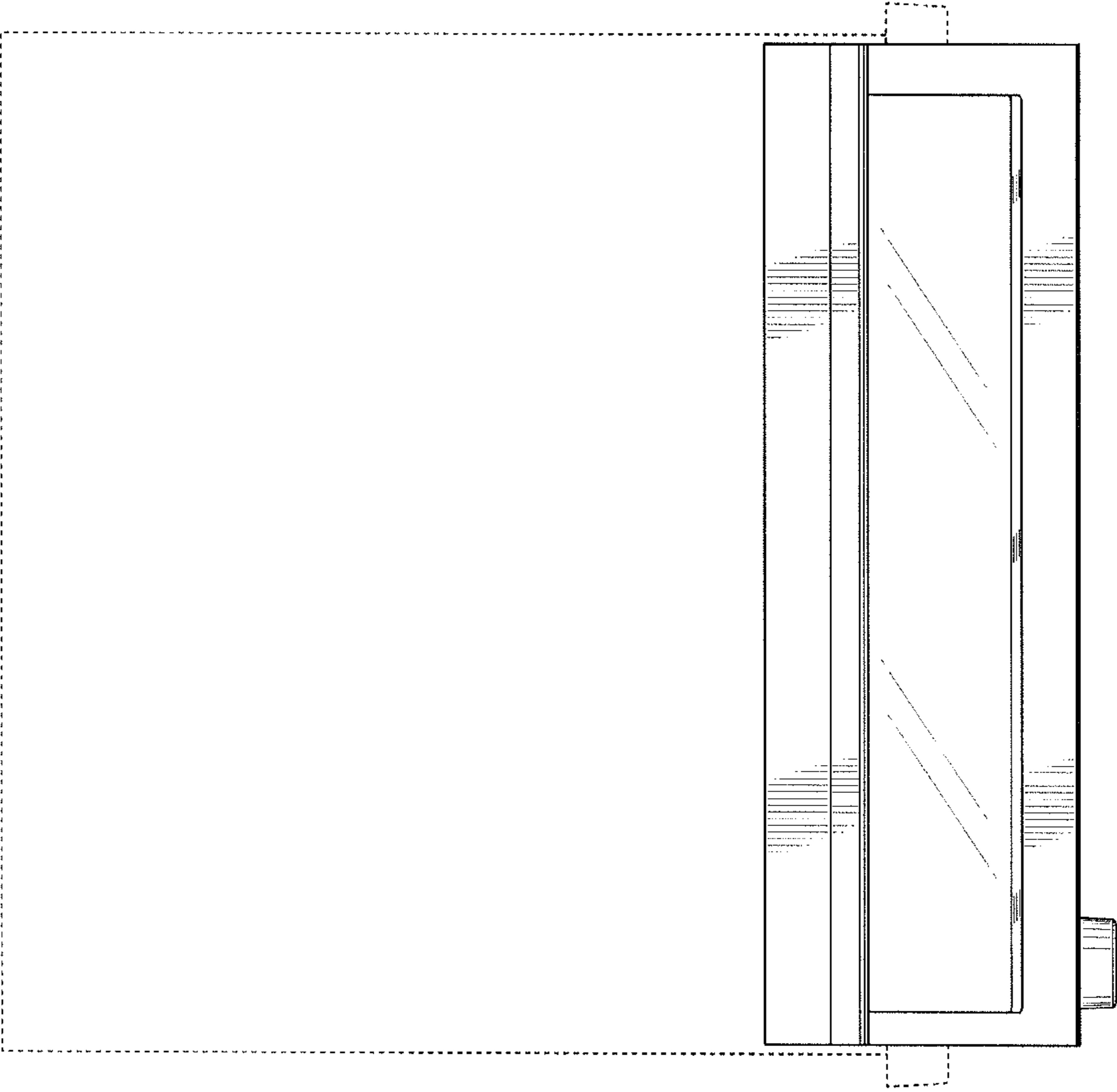


FIG. 6

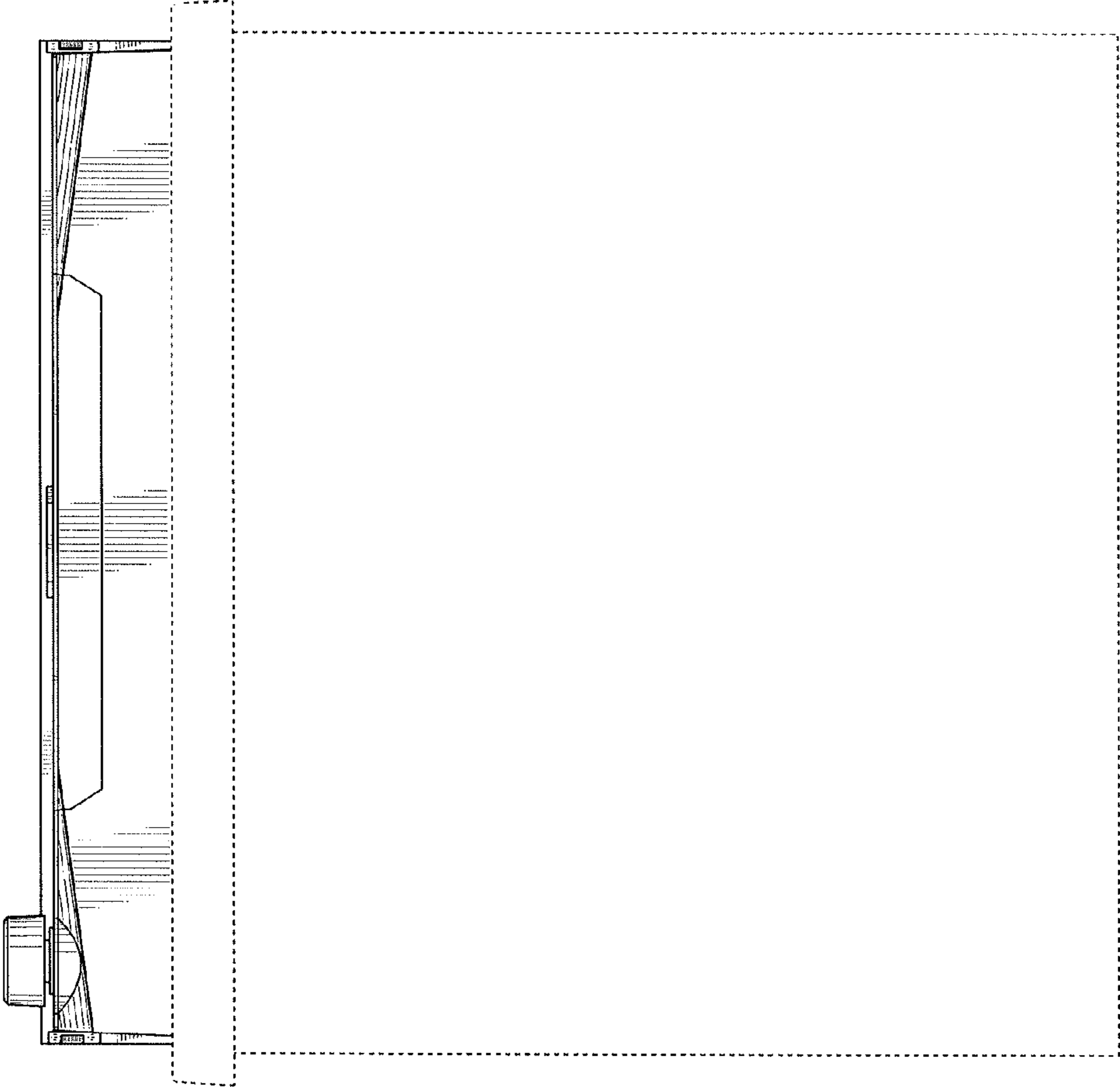


FIG. 7

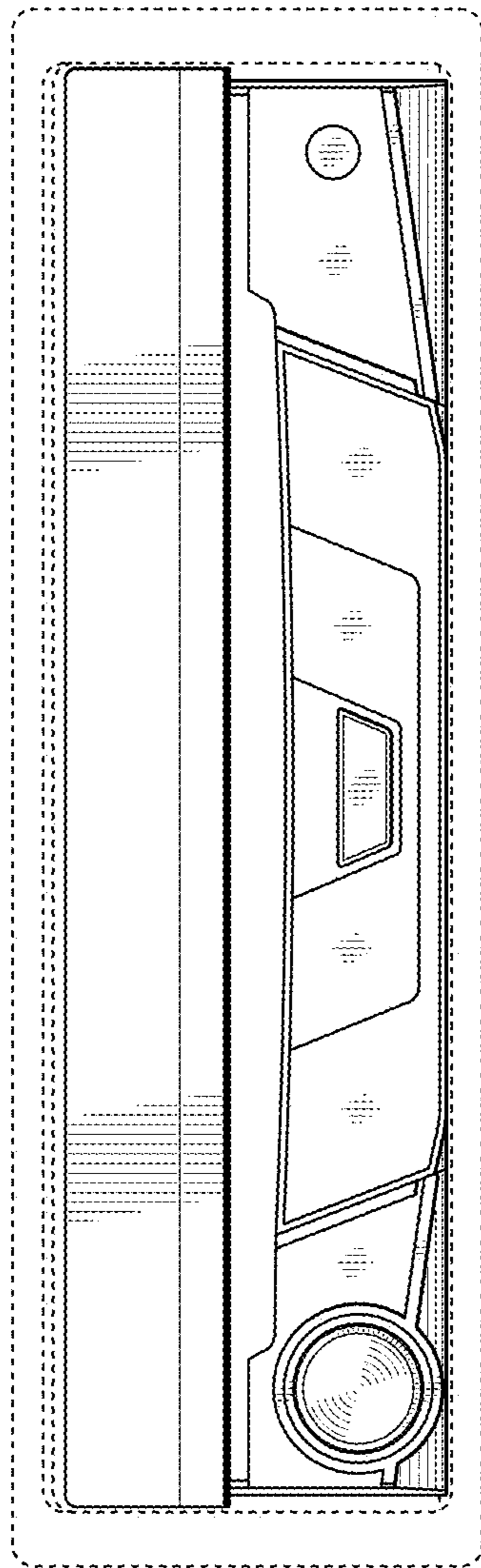


FIG. 8