



US00D752645S

(12) **United States Design Patent**
Lee et al.

(10) **Patent No.:** **US D752,645 S**
(45) **Date of Patent:** **** Mar. 29, 2016**

(54) **MULTIMEDIA TERMINAL HAVING
TRANSITIONAL GRAPHICAL USER
INTERFACE**

D717,312 S * 11/2014 Matas D14/485
D726,759 S * 4/2015 Brinda D14/488
D730,383 S * 5/2015 Brinda D14/488
D737,831 S * 9/2015 Lee D14/485

(71) Applicant: **LG Electronics Inc.**, Seoul (KR)

* cited by examiner

(72) Inventors: **Kunho Lee**, Seoul (KR); **Myoungseun Kim**, Seoul (KR); **Jihye Min**, Seoul (KR); **Yongdeok Lee**, Gyeonggi-do (KR)

Primary Examiner — Richard E Chilcot

(74) *Attorney, Agent, or Firm* — Morgan, Lewis & Bockius LLP

(73) Assignee: **LG Electronics Inc.**, Seoul (KR)

(57) **CLAIM**

The ornamental design for a multimedia terminal having transitional graphical user interface, as shown and described.

(**) Term: **14 Years**

DESCRIPTION

(21) Appl. No.: **29/456,139**

(22) Filed: **May 29, 2013**

(30) **Foreign Application Priority Data**

Nov. 30, 2012 (KR) 30-2012-0057679

(51) **LOC (10) Cl.** **14-04**

(52) **U.S. Cl.**
USPC **D14/494**

(58) **Field of Classification Search**
USPC D14/485–495; 715/700–867, 973–977
CPC G06F 3/0481–3/0486
See application file for complete search history.

FIG. 1 is a first, front image of a multimedia terminal having transitional graphical user interface showing our new design; FIG. 2 is a second image thereof; FIG. 3 is a third image thereof; FIG. 4 is a fourth image thereof; FIG. 5 is a fifth image thereof; FIG. 6 is a sixth image thereof; FIG. 7 is a seventh image thereof; FIG. 8 is an eighth image thereof; FIG. 9 is a ninth image thereof; FIG. 10 is a tenth image thereof; and, FIG. 11 is an eleventh image thereof.

The broken lines shown in the drawings are for illustrative purposes only and form no part of the claimed design. The appearance of the transition image sequentially transitions between the images shown in FIGS. 1-11. No ornamental aspects are associated with the process or period in which one image transitions to another image.

(56) **References Cited**

U.S. PATENT DOCUMENTS

D598,928 S * 8/2009 Hirsch D14/485
D683,345 S * 5/2013 Akana D14/341

1 Claim, 11 Drawing Sheets

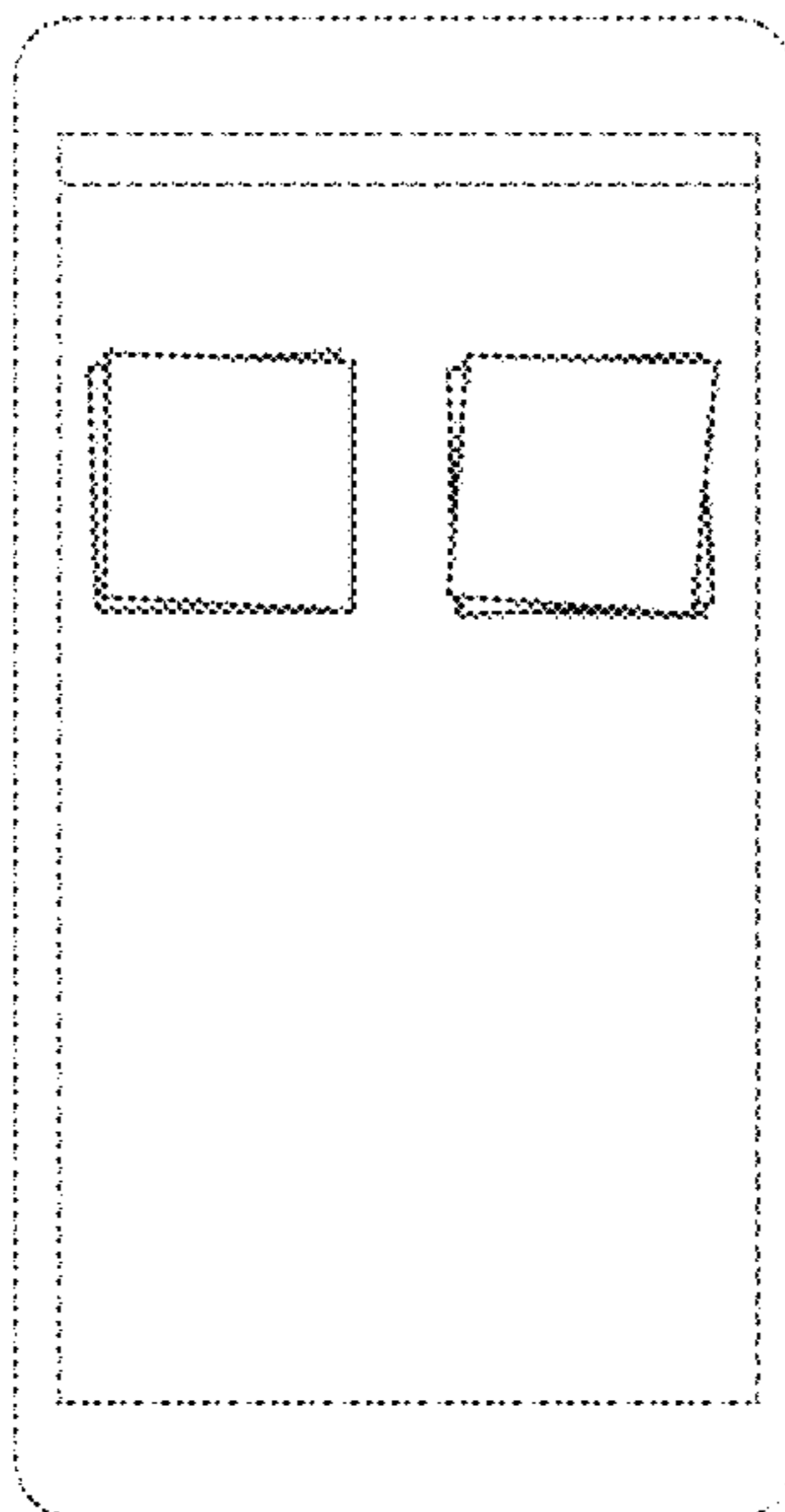


FIG. 1

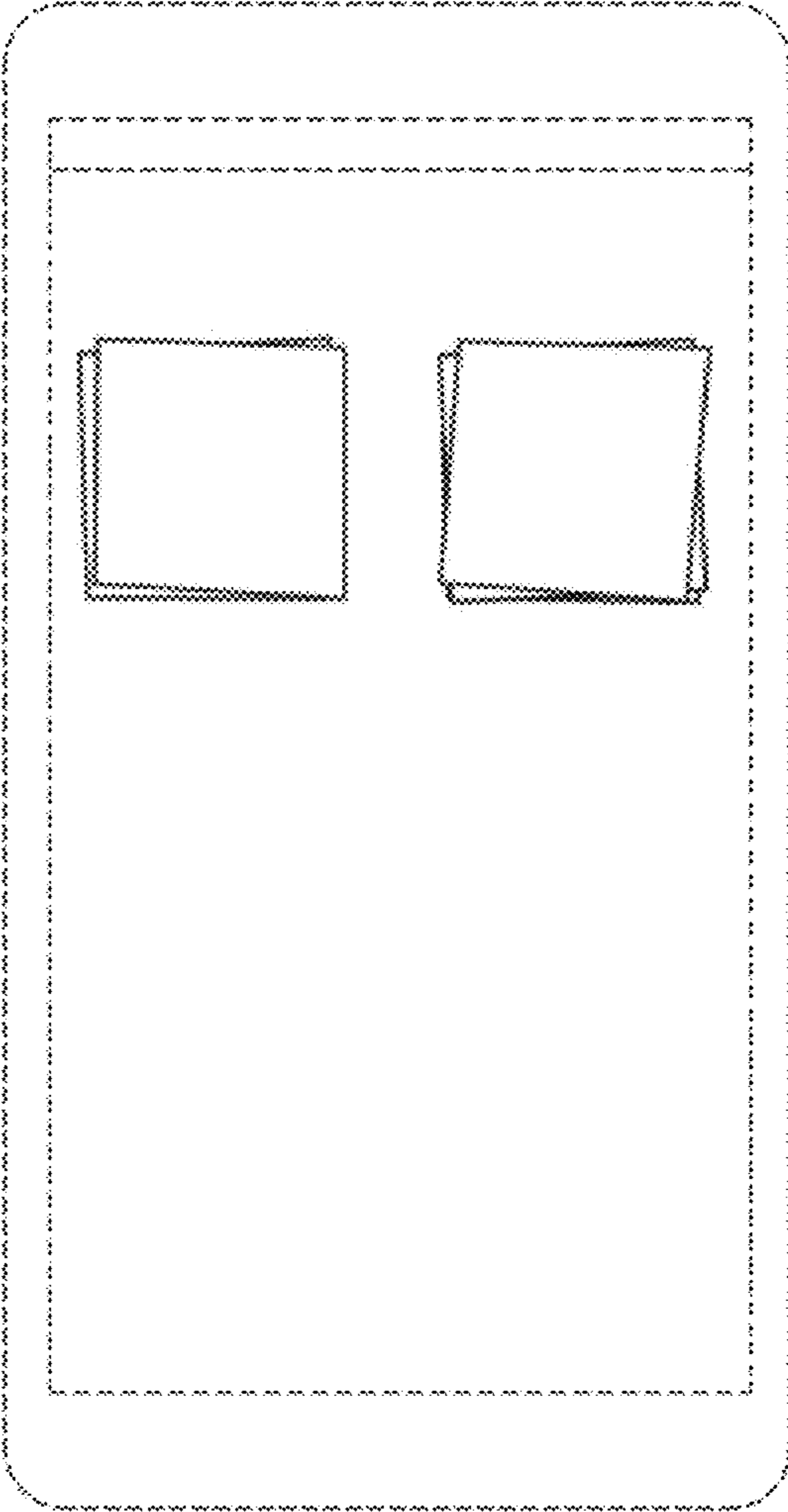


FIG. 2

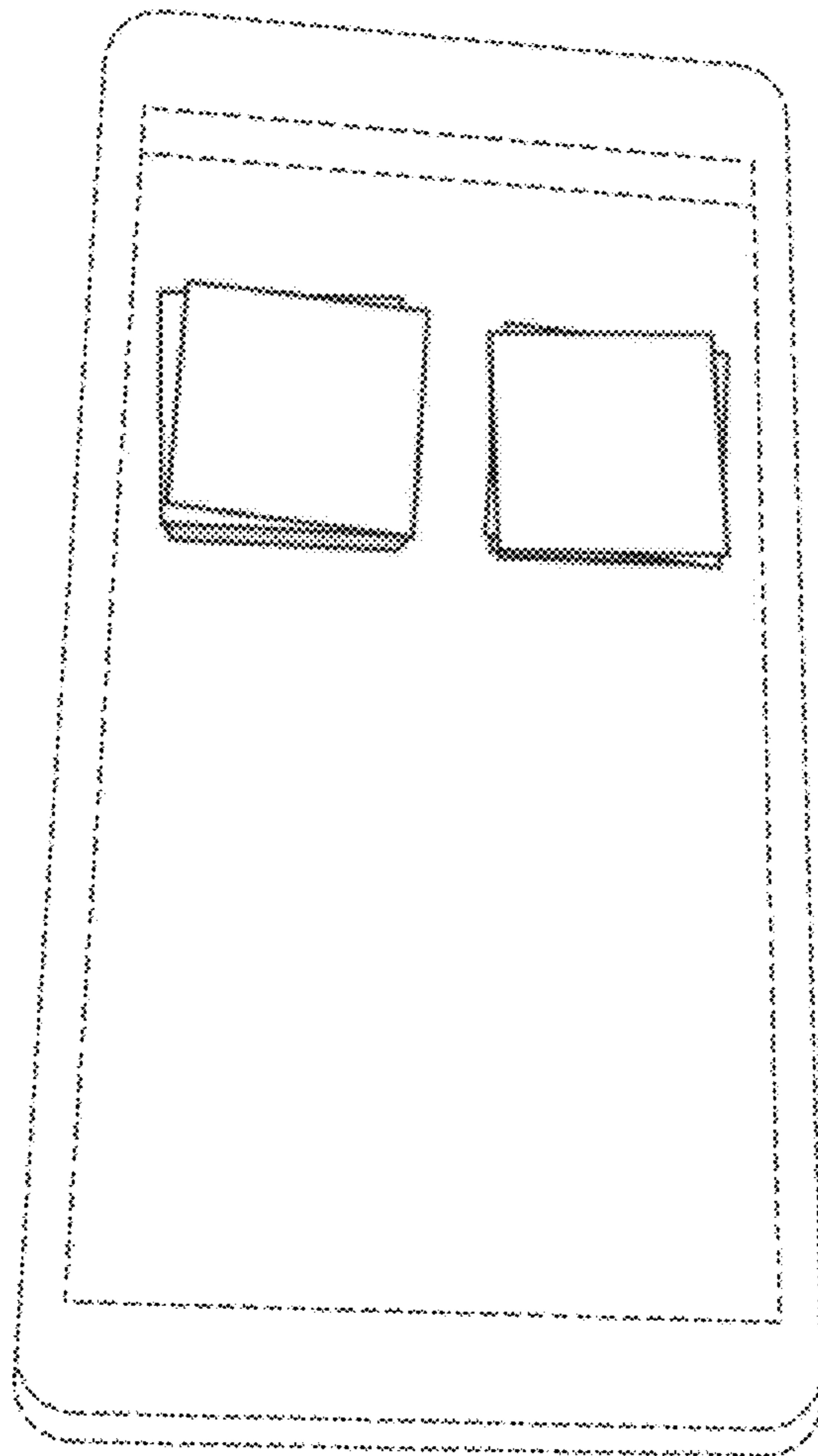


FIG. 3

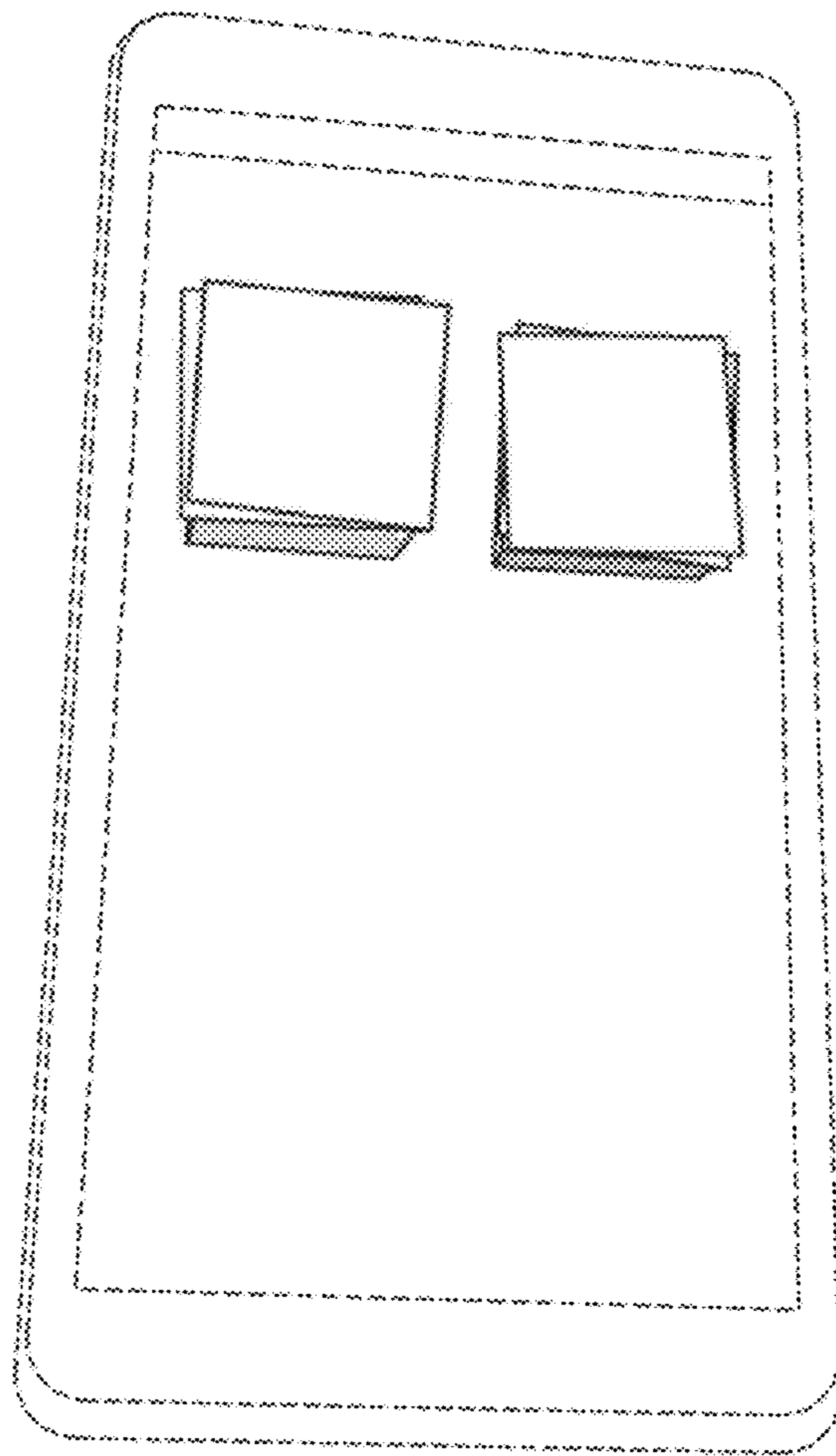


FIG. 4

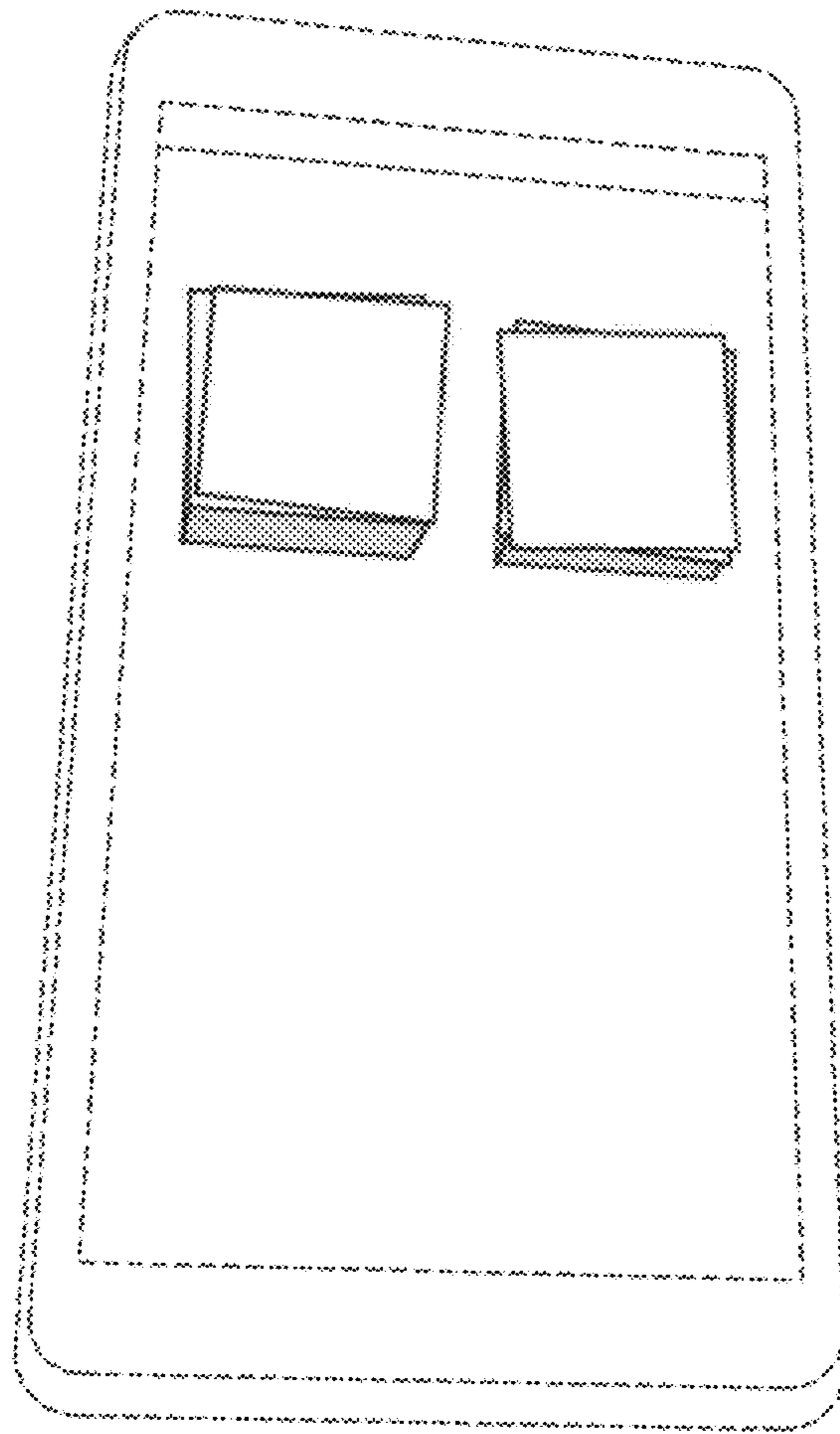


FIG. 5

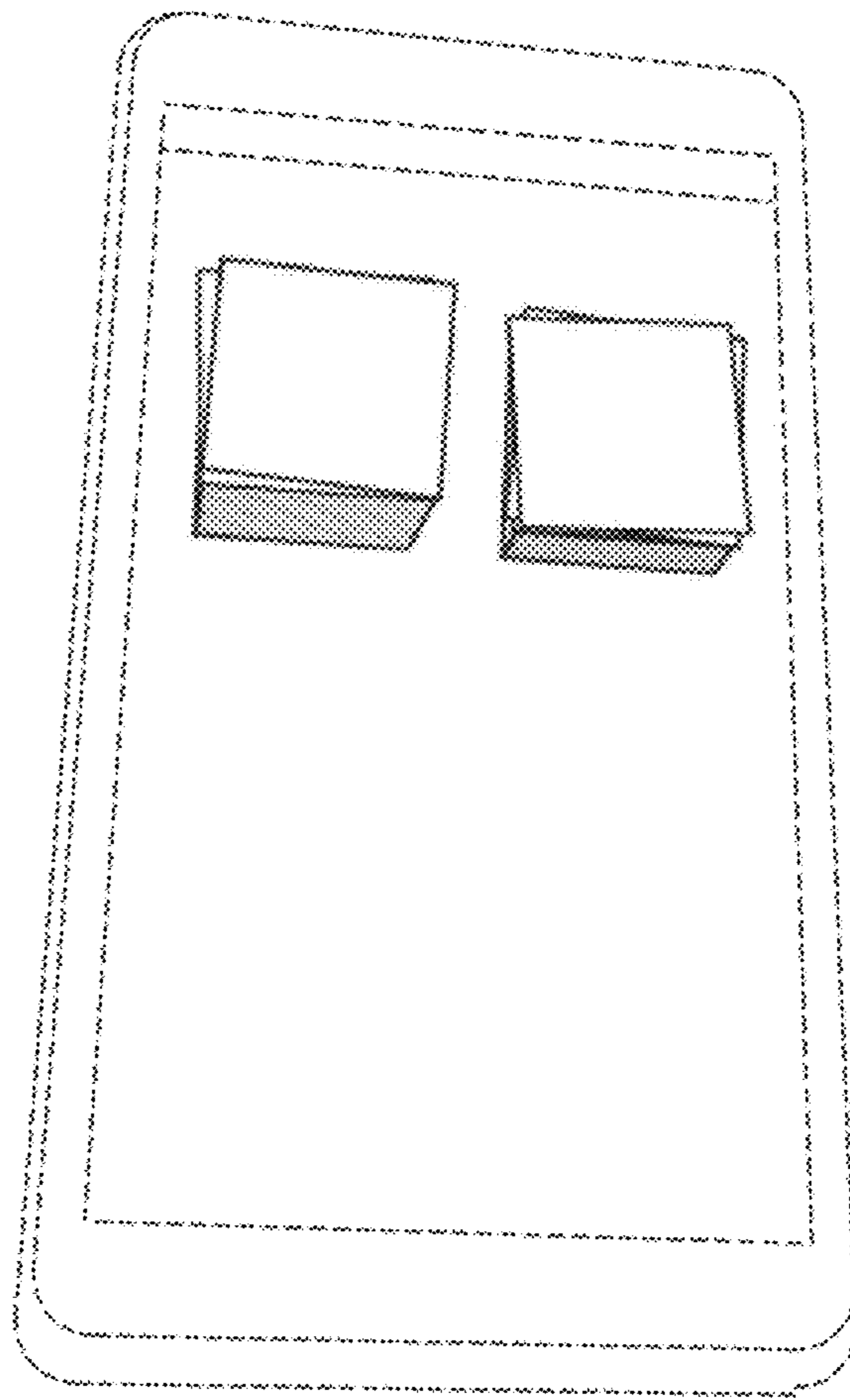


FIG. 6

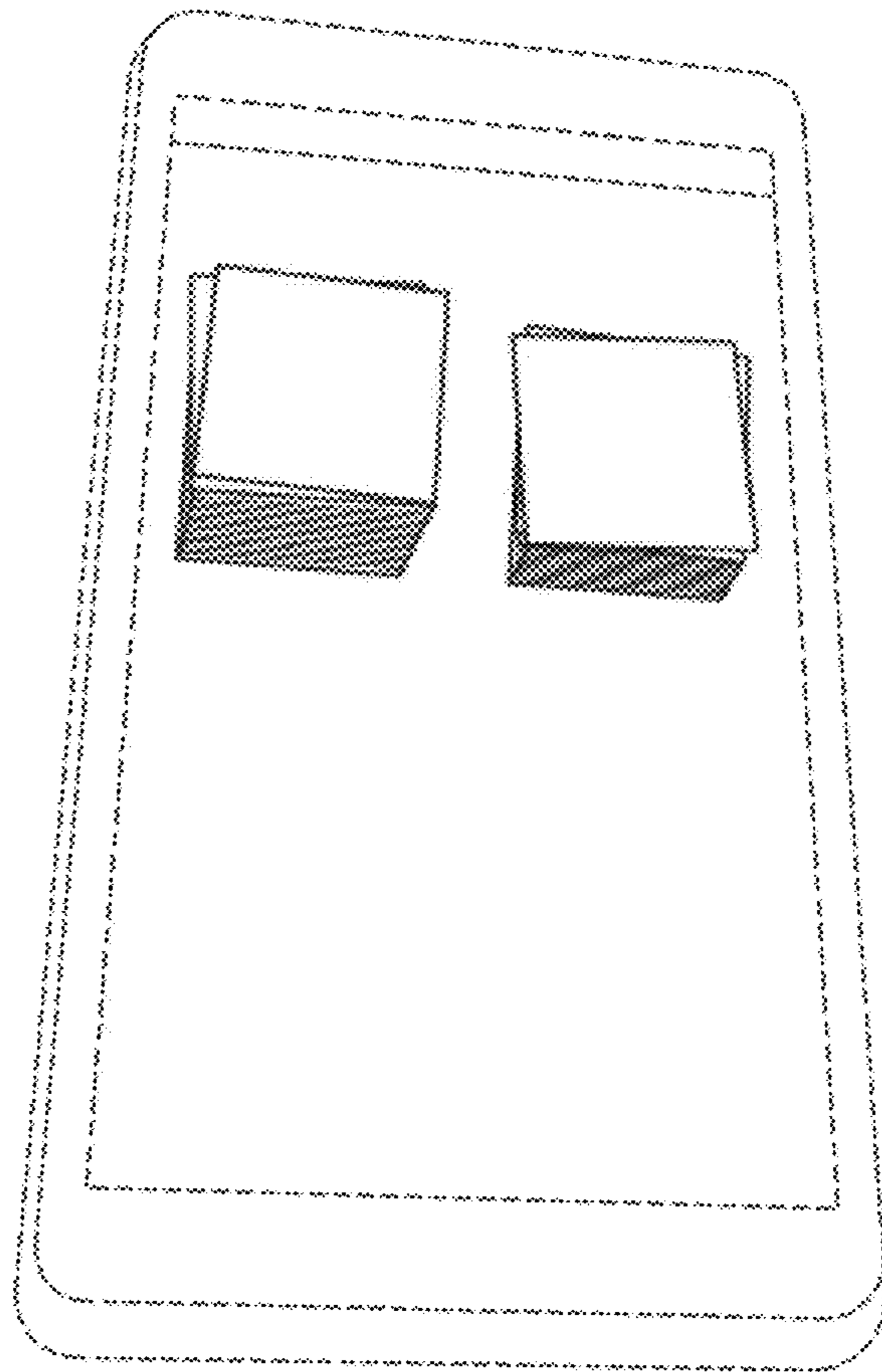


FIG. 7

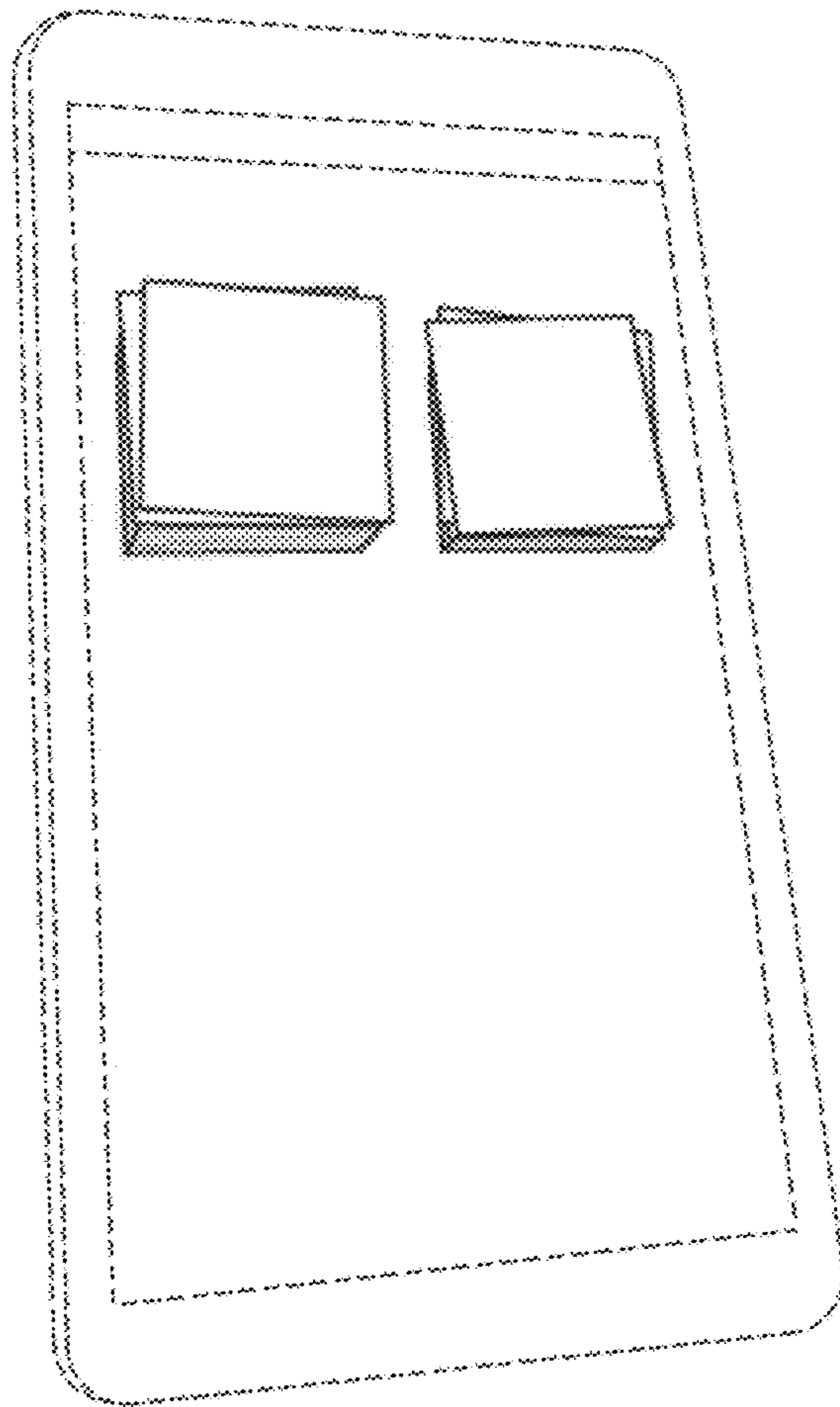


FIG. 8

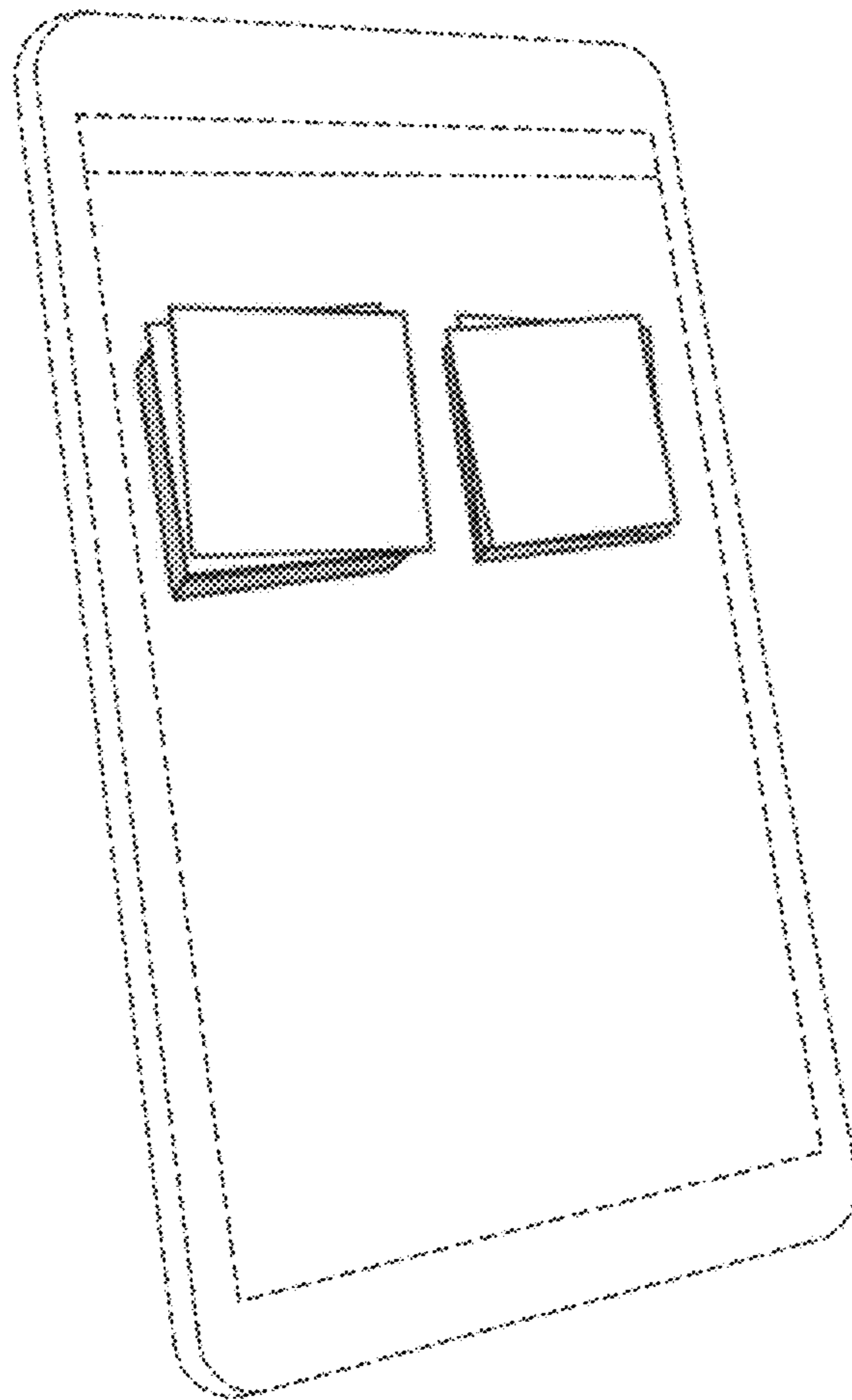


FIG. 9

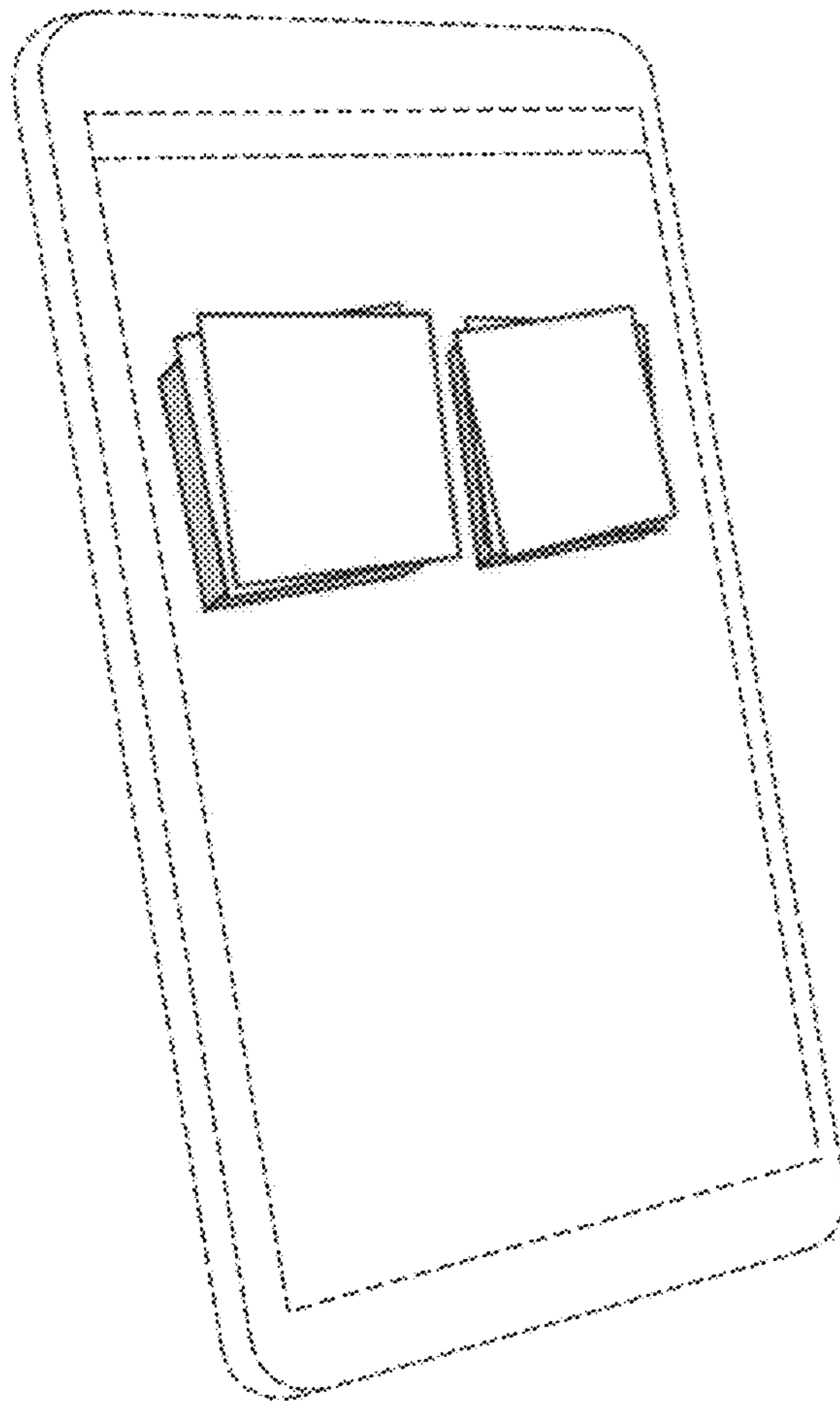


FIG. 10

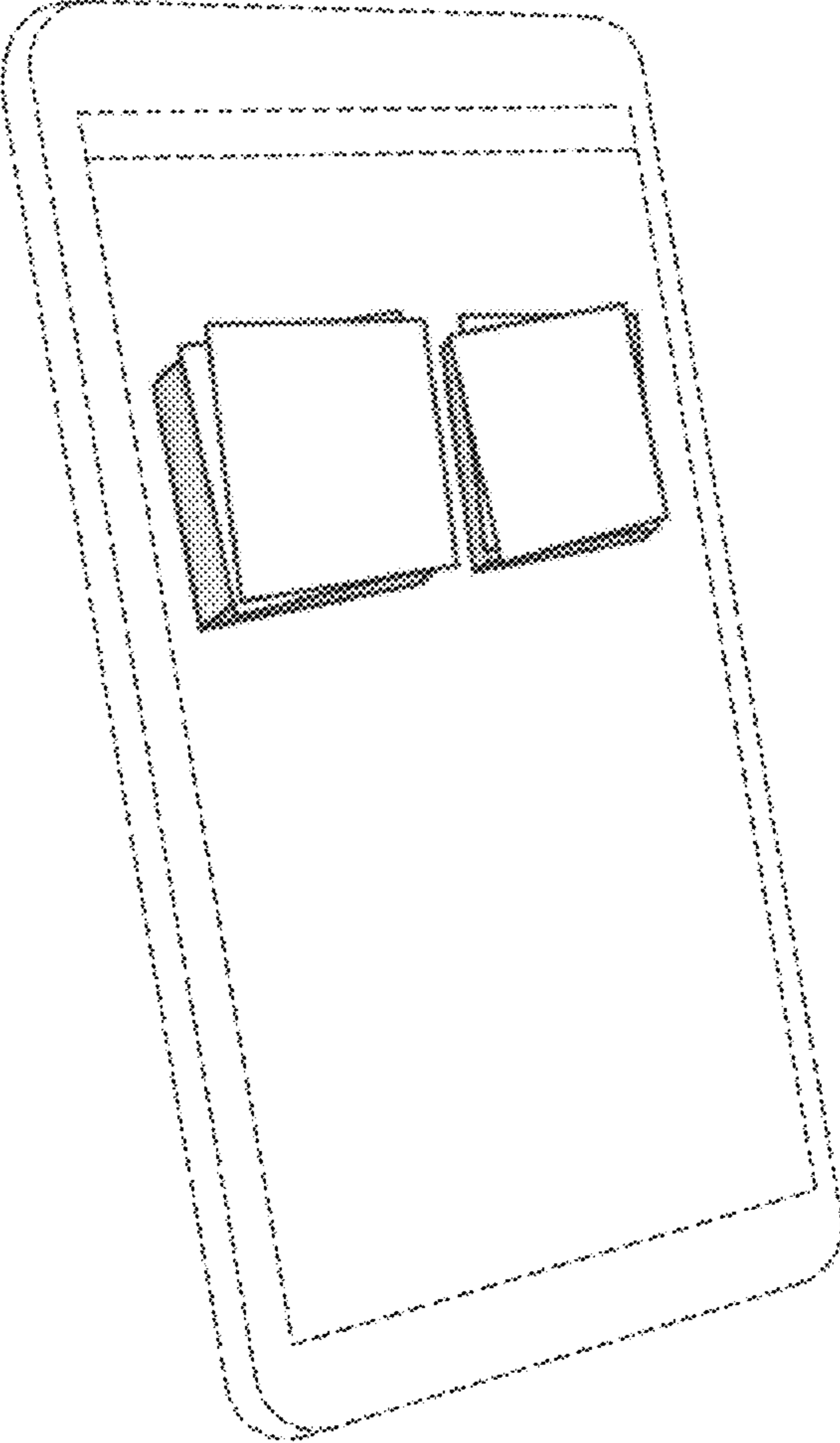


FIG. 11

