



US00D752636S

(12) **United States Design Patent**
Yoon et al.

(10) **Patent No.:** **US D752,636 S**
(45) **Date of Patent:** **** Mar. 29, 2016**

(54) **DISPLAY SCREEN OR PORTION THEREOF WITH ANIMATED GRAPHICAL USER INTERFACE**

(71) Applicant: **Samsung Electronics Co., Ltd.**, Suwon-si (KR)

(72) Inventors: **Min-Kyoung Yoon**, Seoul (KR); **Yong-Hwan Kwon**, Seongnam-si (KR); **Woo-Seok Hwang**, Seoul (KR)

(73) Assignee: **SAMSUNG ELECTRONICS CO., LTD.** (KR)

(**) Term: **14 Years**

(21) Appl. No.: **29/494,108**

(22) Filed: **Jun. 17, 2014**

(30) **Foreign Application Priority Data**

Dec. 23, 2013 (KR) 30-2013-0064793

(51) **LOC (10) Cl.** **14-04**

(52) **U.S. Cl.**
USPC **D14/488**

(58) **Field of Classification Search**

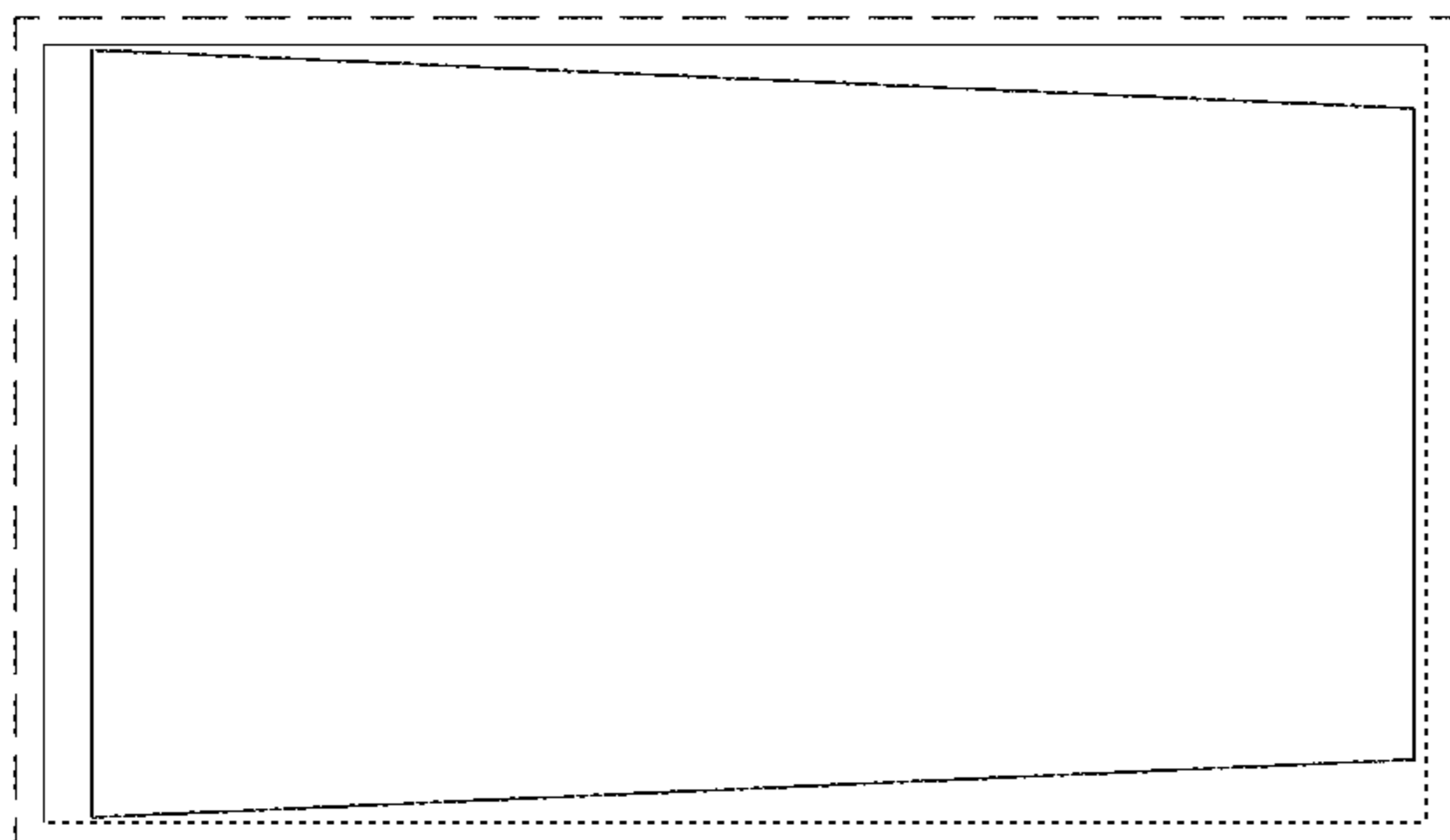
USPC D14/485-495; D18/26, 31, 32, 33; D20/11, 12, 23, 24, 25, 29, 30, 31, 32, D20/36, 37, 38; 715/810, 835, 836, 837, 715/839, 840, 846, 847, 772, 841; 725/41; 345/173
CPC G06F 3/048-3/4897; G06F 9/00-9/548; G06F 17/3005; G06F 17/30112; G06F 17/30716; G06T 13/00; G06T 13/20; G06T 13/205; G06T 13/40; G06T 13/60; G06T 13/80; G06T 15/02; H04M 1/00-2250/74; H04N 1/00-2213/00

See application file for complete search history.

(56) **References Cited**

U.S. PATENT DOCUMENTS
D624,932 S * 10/2010 Chaudhri D14/488
D640,283 S * 6/2011 Woo D14/487

(Continued)



OTHER PUBLICATIONS

Wikinotica, Samsung: TV quad-core in a fairly porous presentation, posted Jan. 8, 2013 [retrieved Oct. 27, 2015]. Retrieved from the Internet <<http://en.wikinoticia.com/Technology/general-technology/134075-samsung-tv-quad-core-in-a-fairly-porous-presentation>>.*

(Continued)

Primary Examiner — Cathron Brooks

Assistant Examiner — Andrew Nemeth

(74) *Attorney, Agent, or Firm* — Cantor Colburn LLP

(57) **CLAIM**

We claim, the ornamental design for a display screen or portion thereof with animated graphical user interface, as shown and described.

DESCRIPTION

FIG. 1 is a first image in a sequence for a display screen or portion thereof with animated graphical user interface showing our new design;

FIG. 2 is a second image in a sequence thereof;

FIG. 3 is a third image in a sequence thereof;

FIG. 4 is a fourth image in a sequence thereof;

FIG. 5 is a fifth image in a sequence thereof;

FIG. 6 is a sixth image in a sequence thereof;

FIG. 7 is a seventh image in a sequence thereof;

FIG. 8 is an eighth image in a sequence thereof;

FIG. 9 is a ninth image in a sequence thereof;

FIG. 10 is a tenth image in a sequence thereof;

FIG. 11 is an eleventh image in a sequence thereof;

FIG. 12 is a twelfth image in a sequence thereof;

FIG. 13 is a thirteenth image in a sequence thereof;

FIG. 14 is a fourteenth image in a sequence thereof;

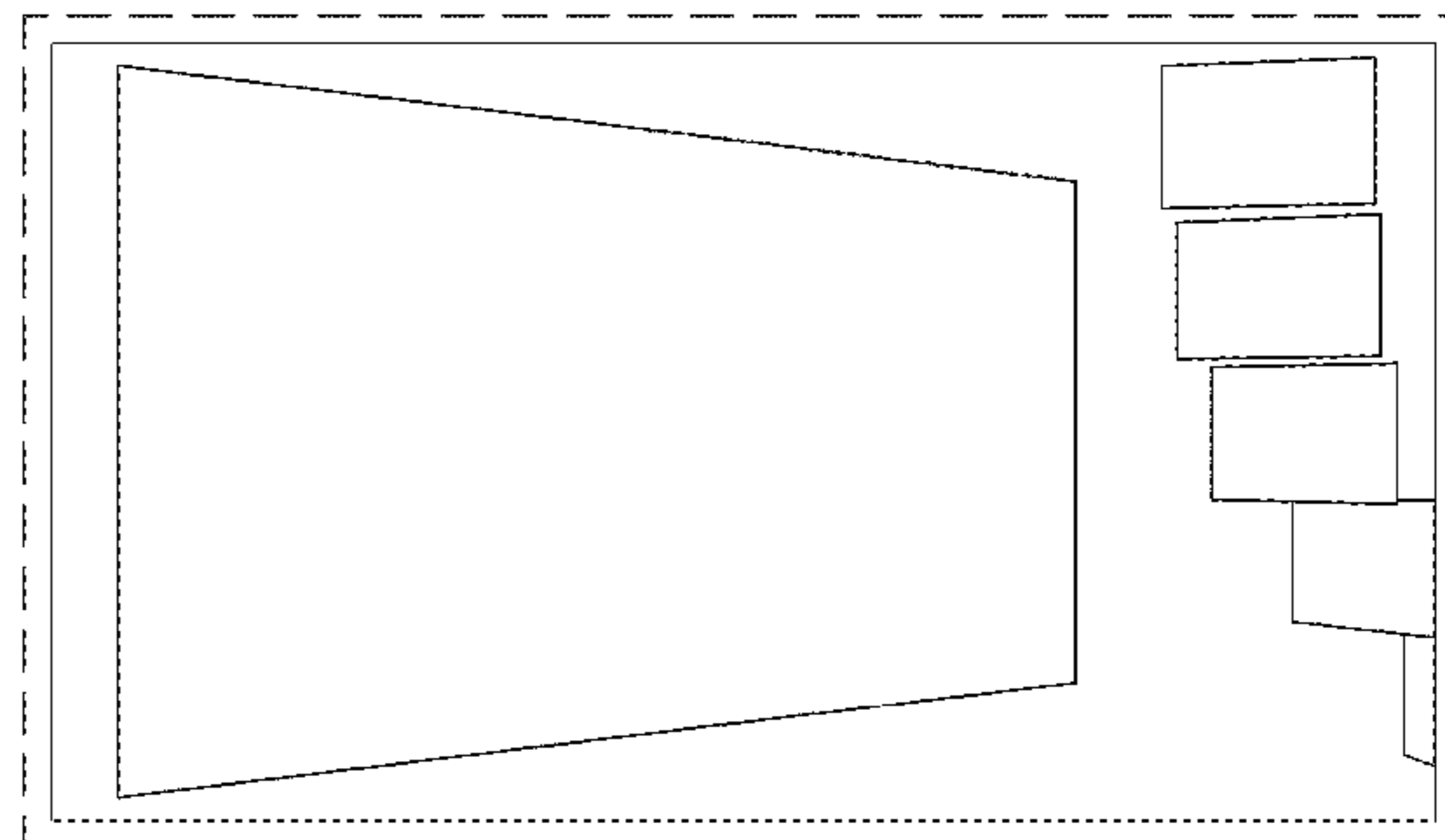
FIG. 15 is a fifteenth image in a sequence thereof; and,

FIG. 16 is a sixteenth image in a sequence thereof.

The broken lines illustrate a display screen or portion thereof, and form no part of the claimed design.

The subject matter in this patent includes a process or period in which an image changes into another image. This process or period forms no part of the claimed design.

1 Claim, 16 Drawing Sheets



(56)

References Cited

U.S. PATENT DOCUMENTS

D640,284 S * 6/2011 Woo D14/487
 D663,740 S * 7/2012 Gleasman D14/486
 D664,552 S * 7/2012 Gleasman D14/486
 D664,553 S * 7/2012 Gleasman D14/486
 D664,975 S * 8/2012 Arnold D14/487
 8,243,017 B2 * 8/2012 Brodersen G06F 3/0482
 345/158
 D675,223 S * 1/2013 Woo D14/487
 D681,044 S * 4/2013 Sakata D14/485
 D691,619 S * 10/2013 Satterfield D14/485
 D695,754 S * 12/2013 Woo-Seok D14/485
 D695,755 S * 12/2013 Hwang D14/485
 D701,518 S * 3/2014 Thornton D14/486
 D701,527 S * 3/2014 Brinda D14/488
 D701,528 S * 3/2014 Brinda D14/488

D707,693 S * 6/2014 Satterfield D14/486
 D716,338 S * 10/2014 Lee D14/488
 D721,721 S * 1/2015 Seung-Hyuck D14/486
 D721,722 S * 1/2015 Lee D14/486
 2007/0136669 A1 * 6/2007 Kwon G06F 3/0482
 715/721
 2010/0325568 A1 * 12/2010 Pedersen G06F 17/30994
 715/765
 2015/0067582 A1 * 3/2015 Donnelly G06F 3/0485
 715/784

OTHER PUBLICATIONS

Youtube, Samsung smart TV UE22f5400AW navigation menus, published Jan. 1, 2014 [retrieved Oct. 27, 2015]. Retrieved from the Internet <<https://www.youtube.com/watch?v=gxODzLx9h0U>>.*

* cited by examiner

FIG. 1

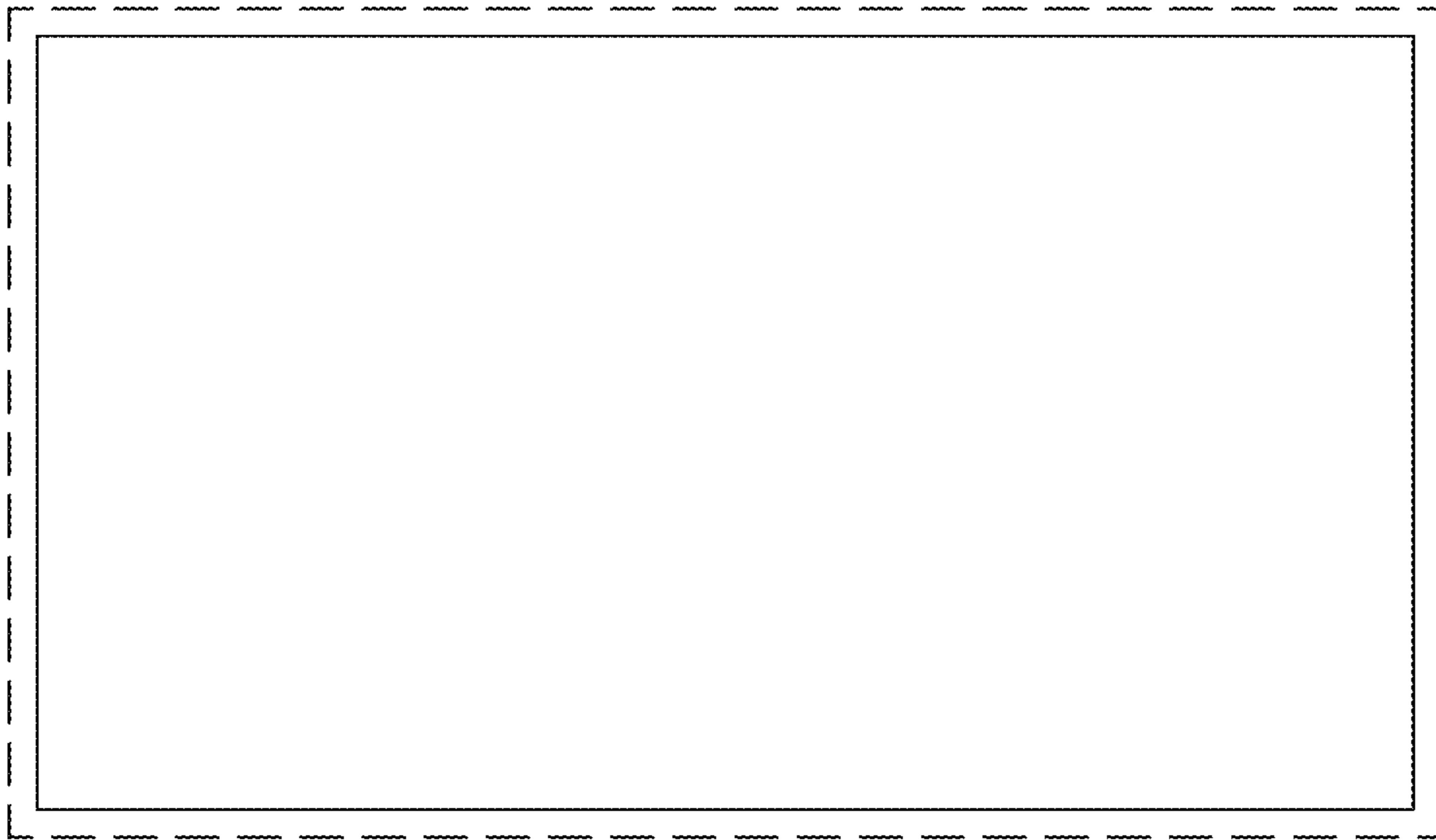


FIG. 2



FIG. 3

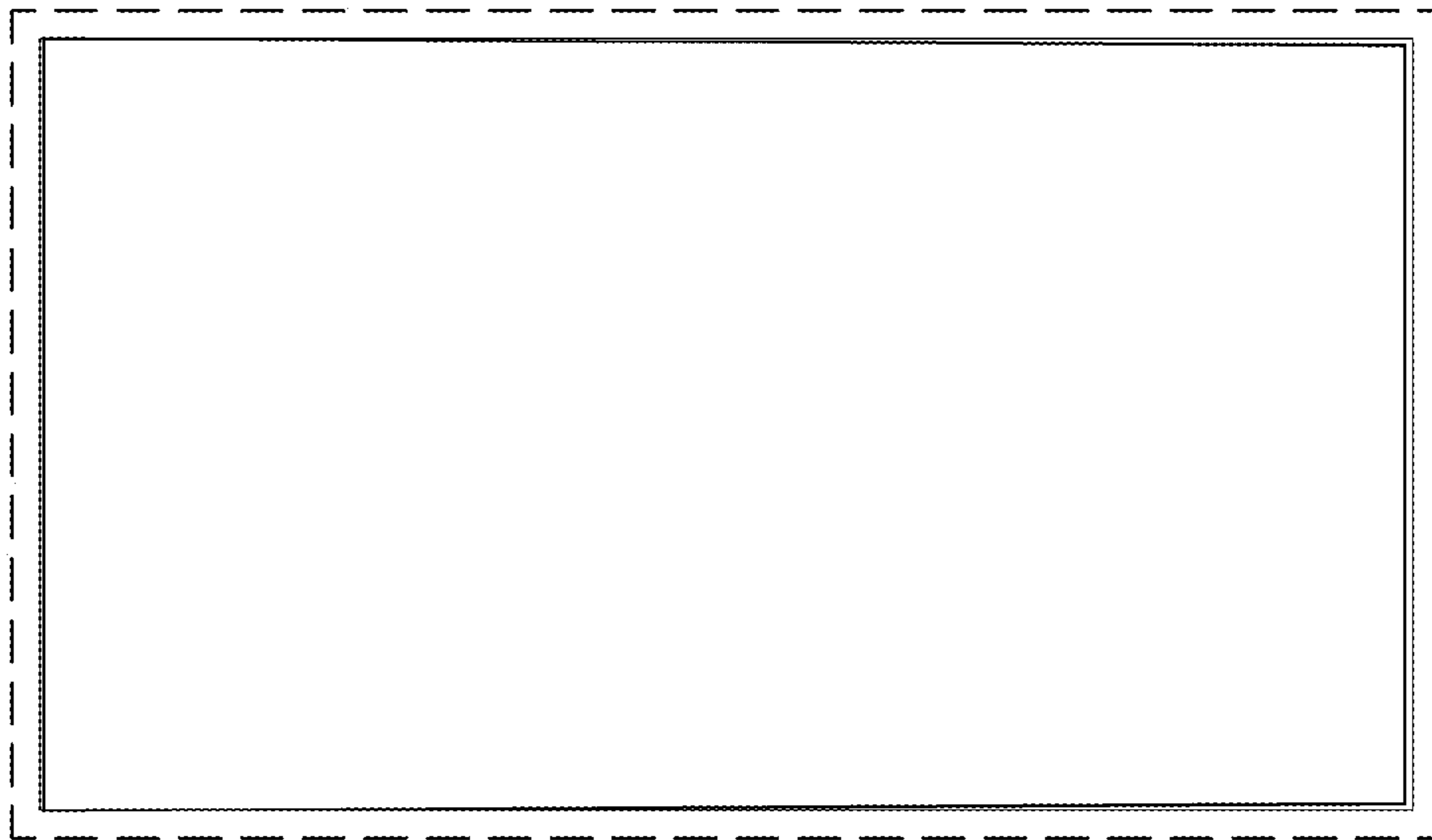


FIG. 4

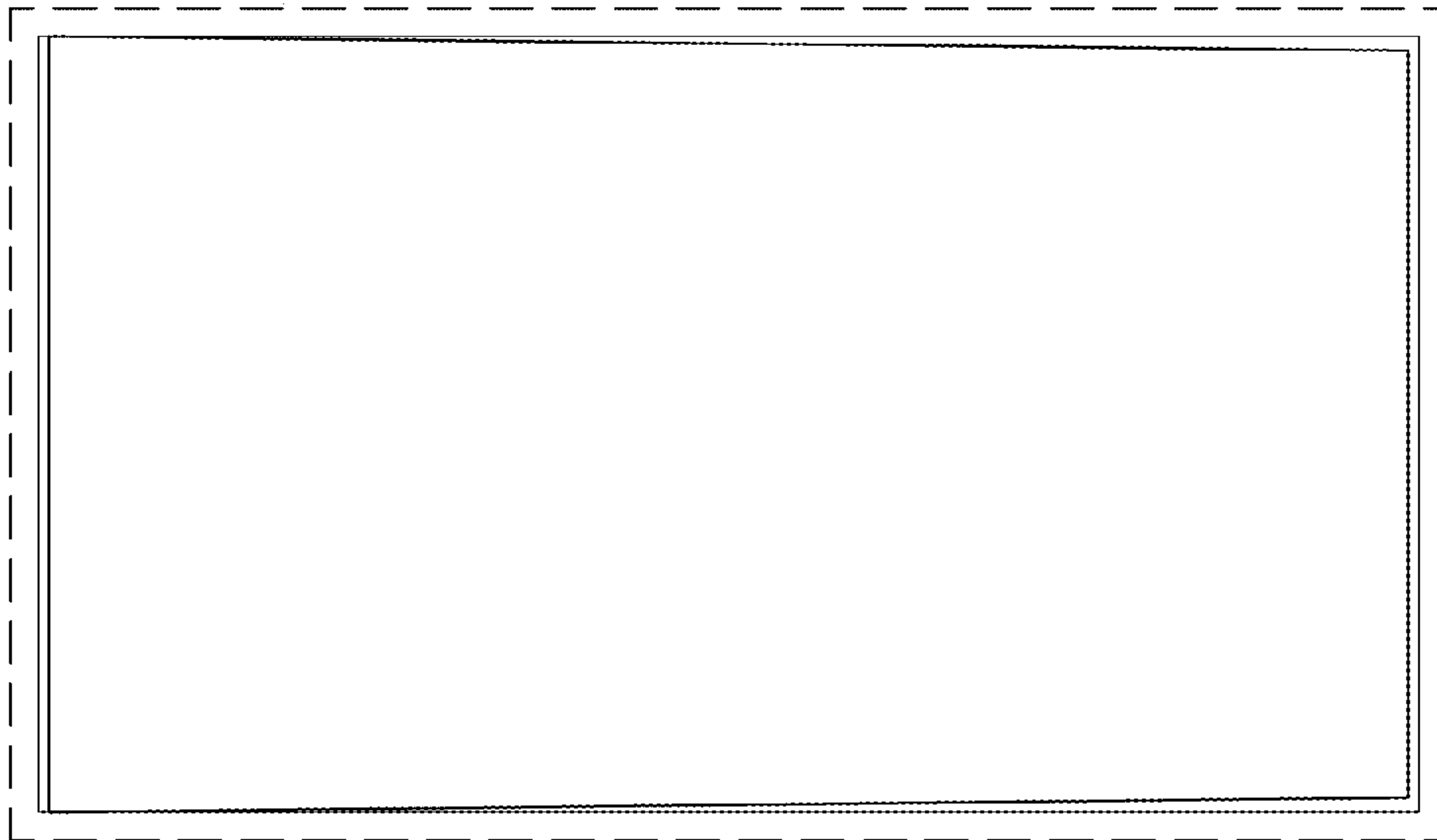


FIG. 5

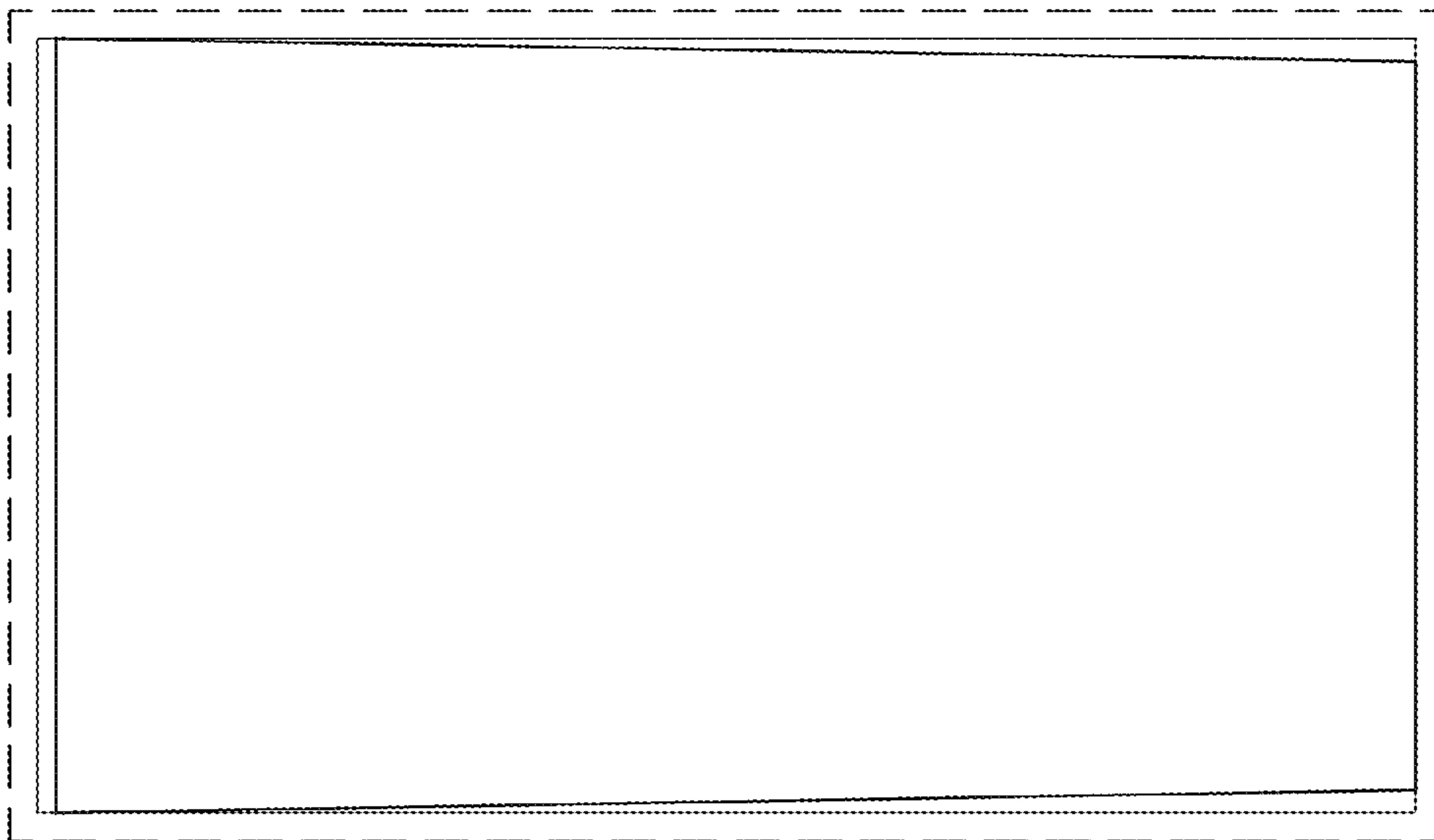


FIG. 6

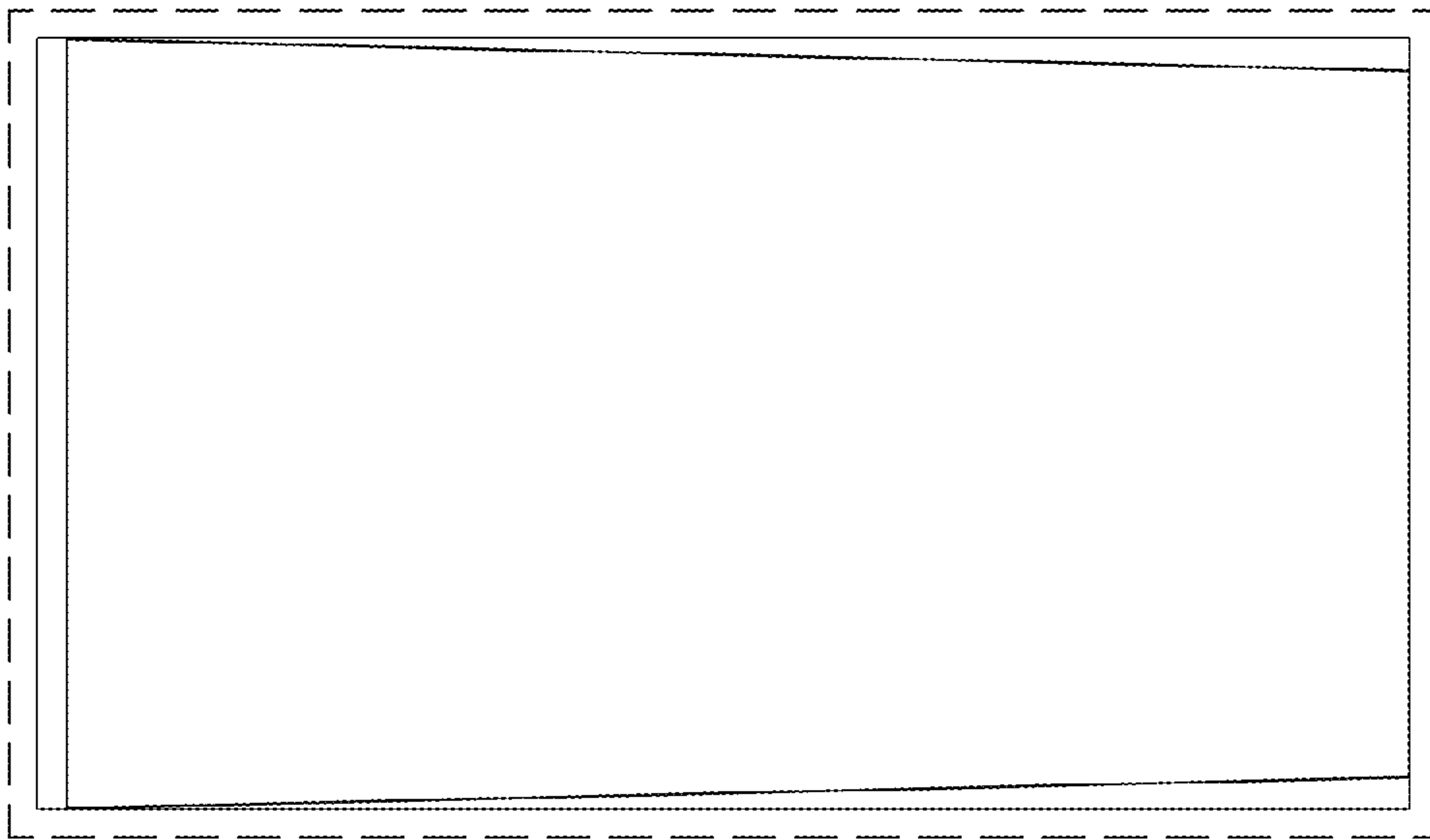


FIG. 7

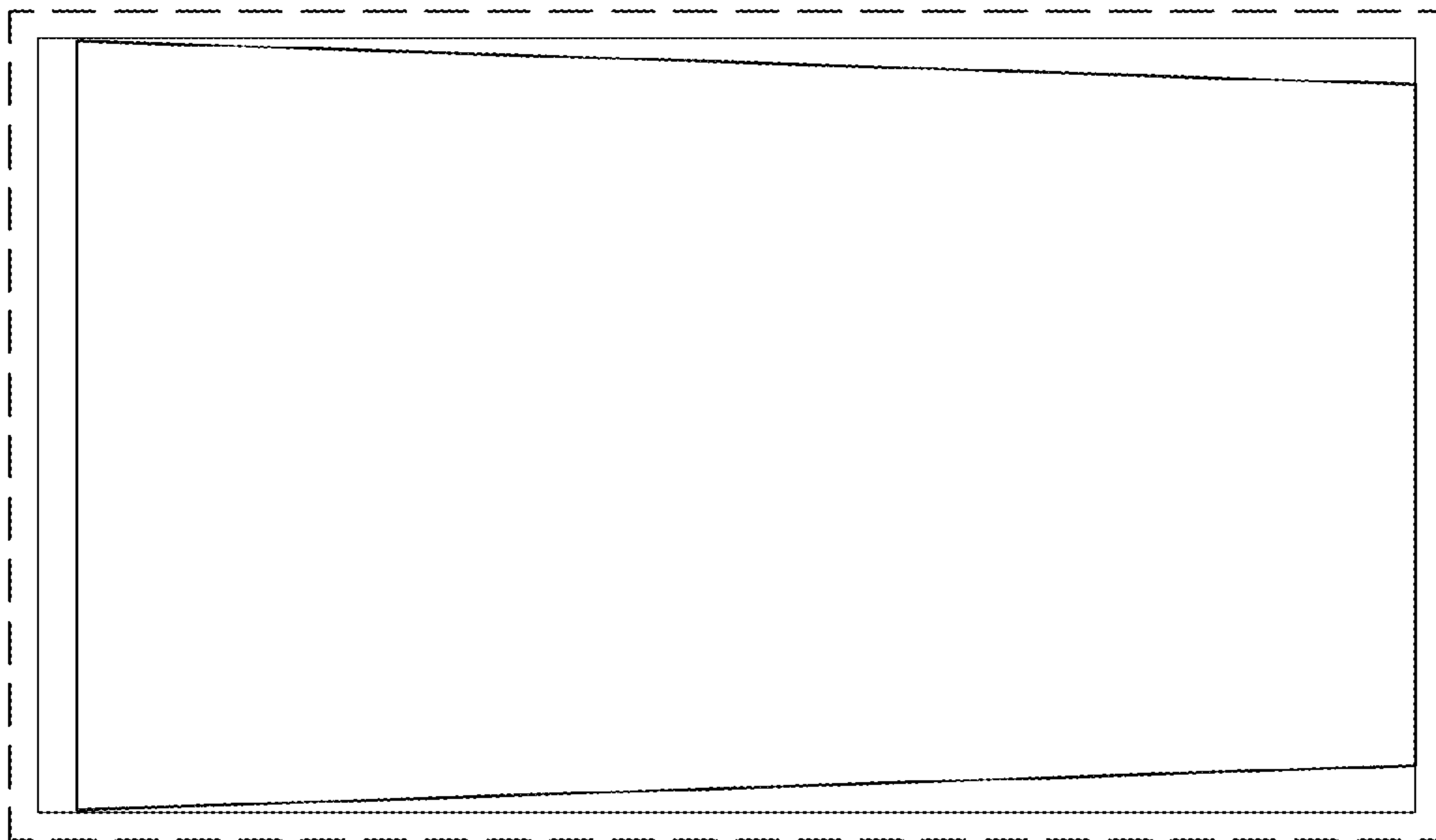


FIG. 8

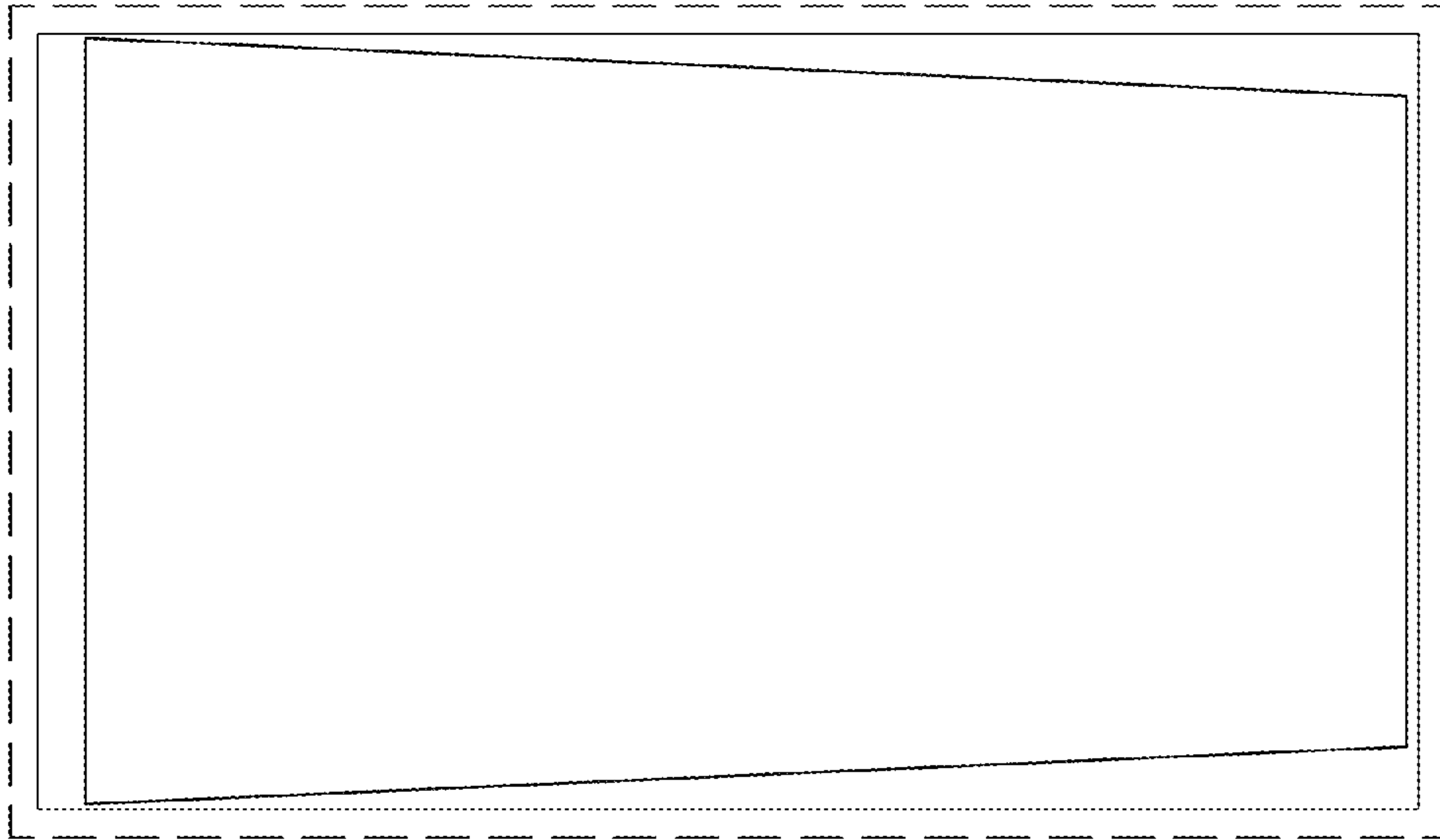


FIG. 9

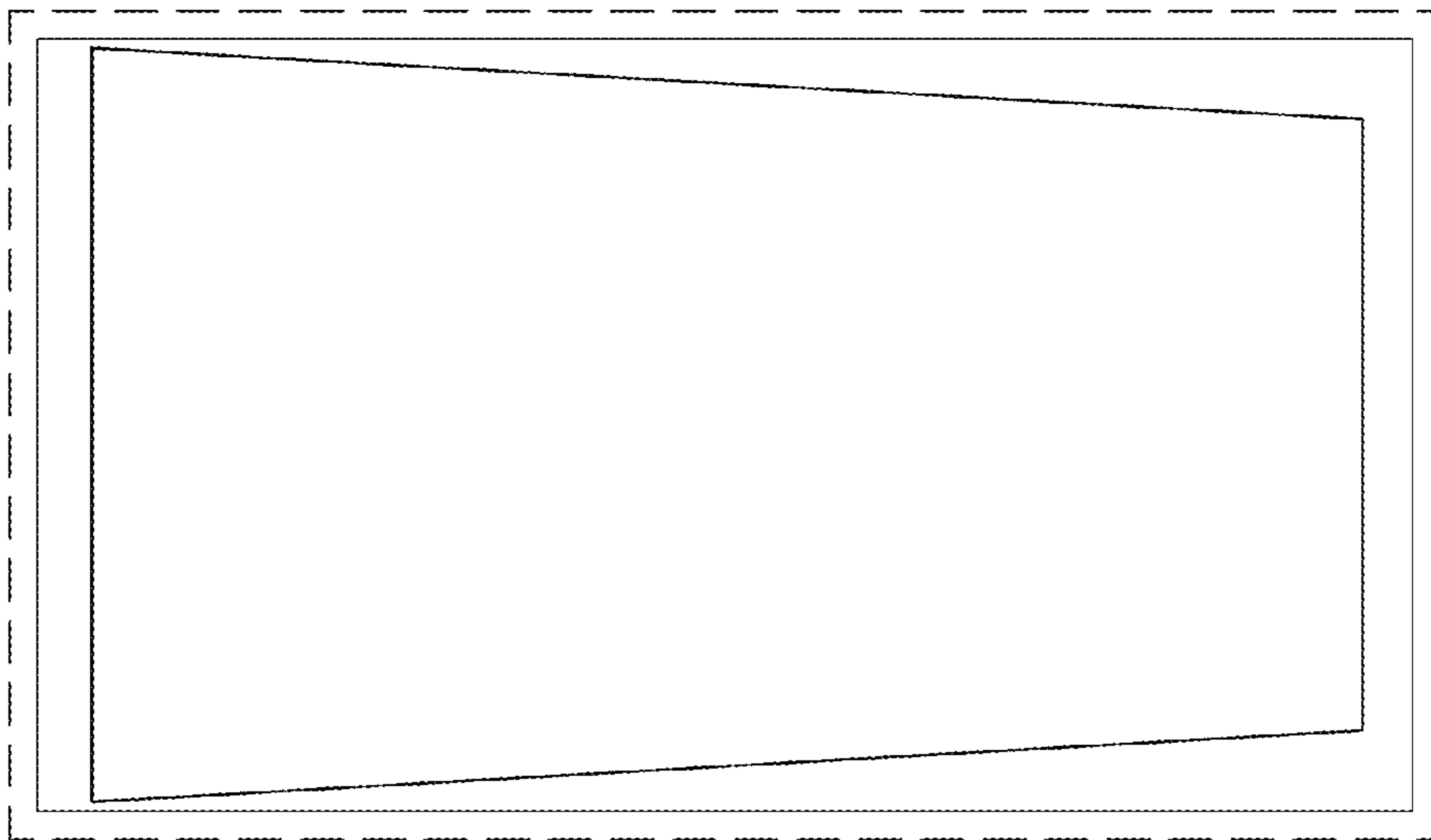


FIG. 10

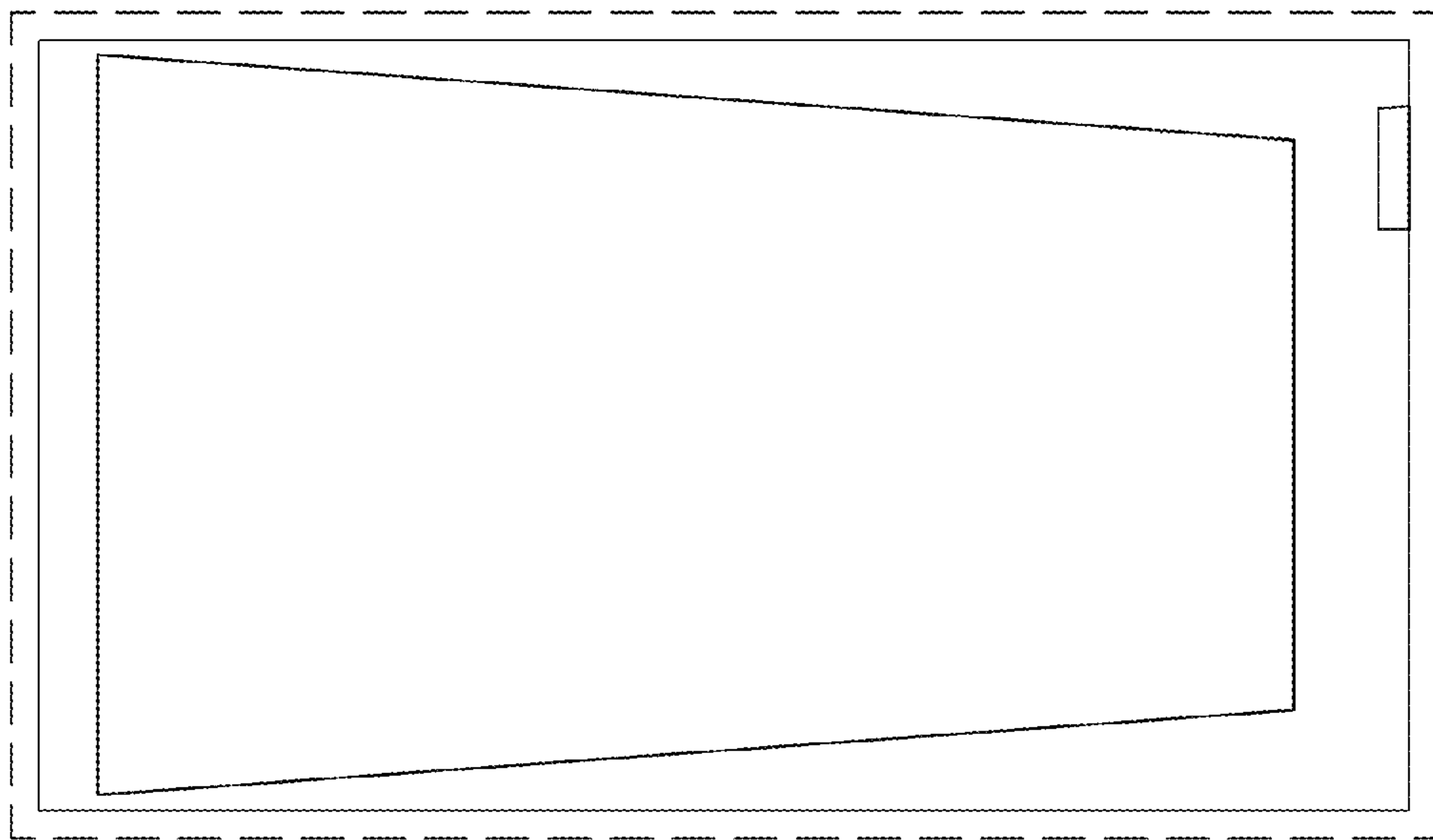


FIG. 11

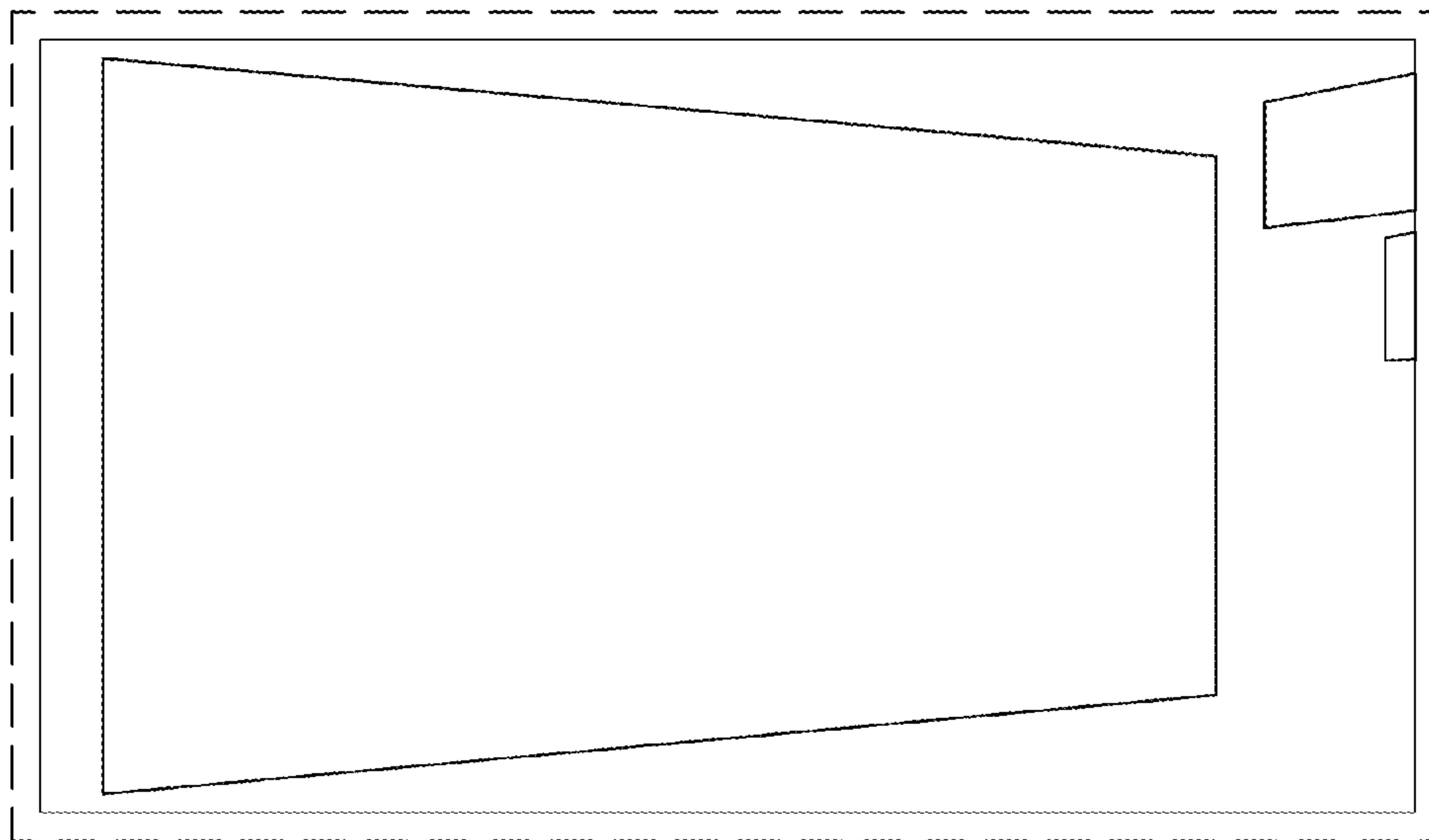


FIG. 12

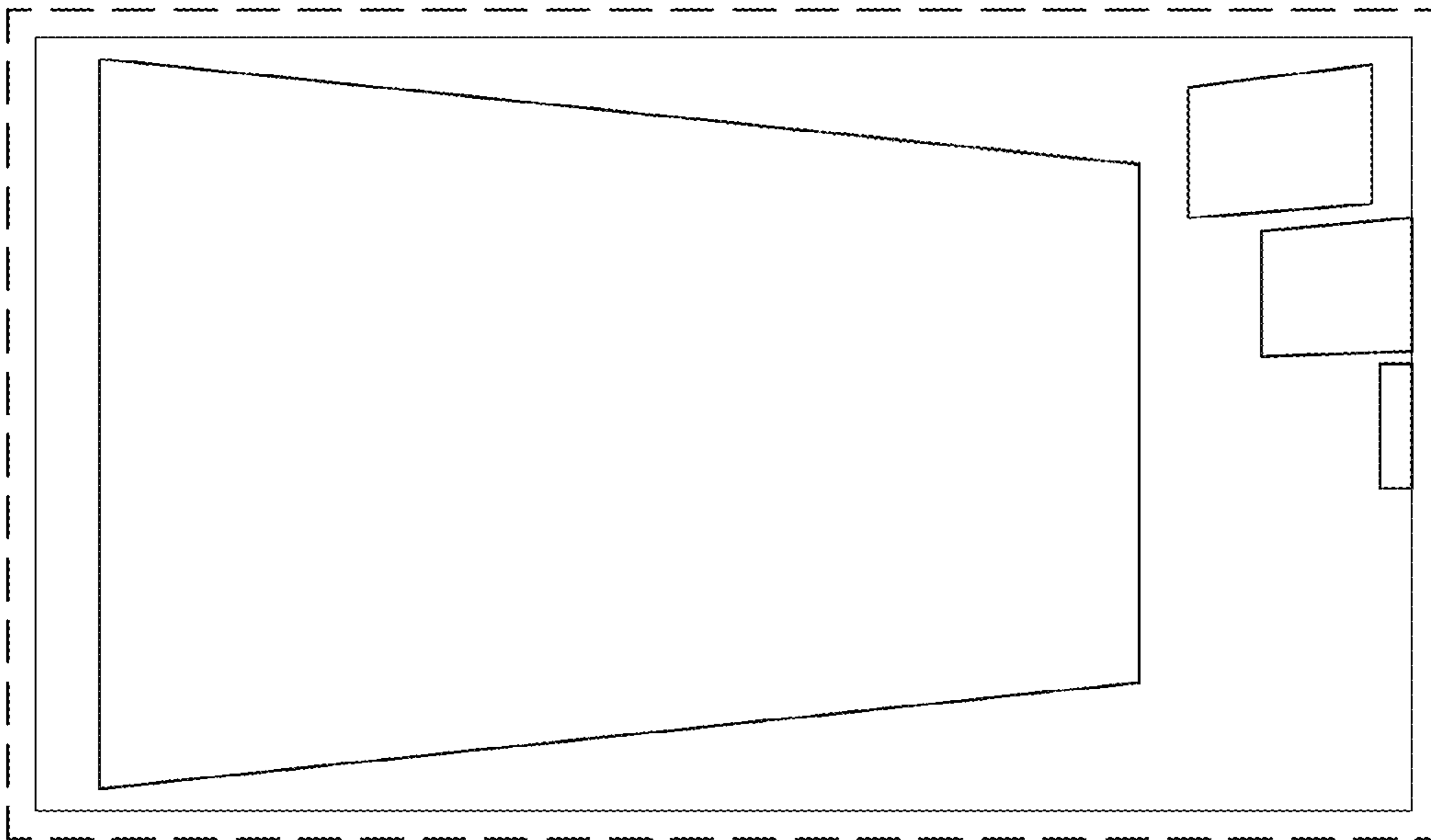


FIG. 13

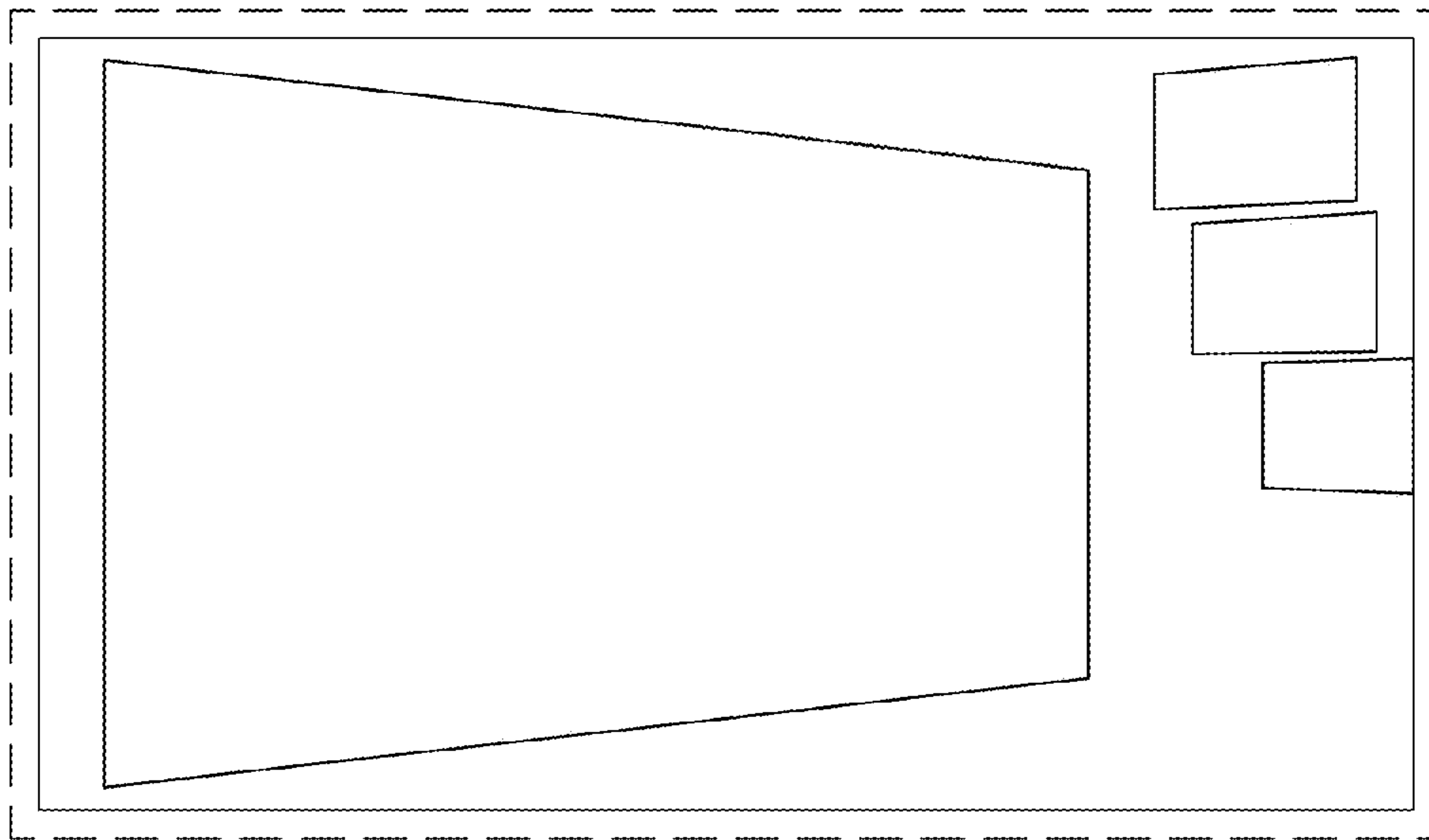


FIG. 14

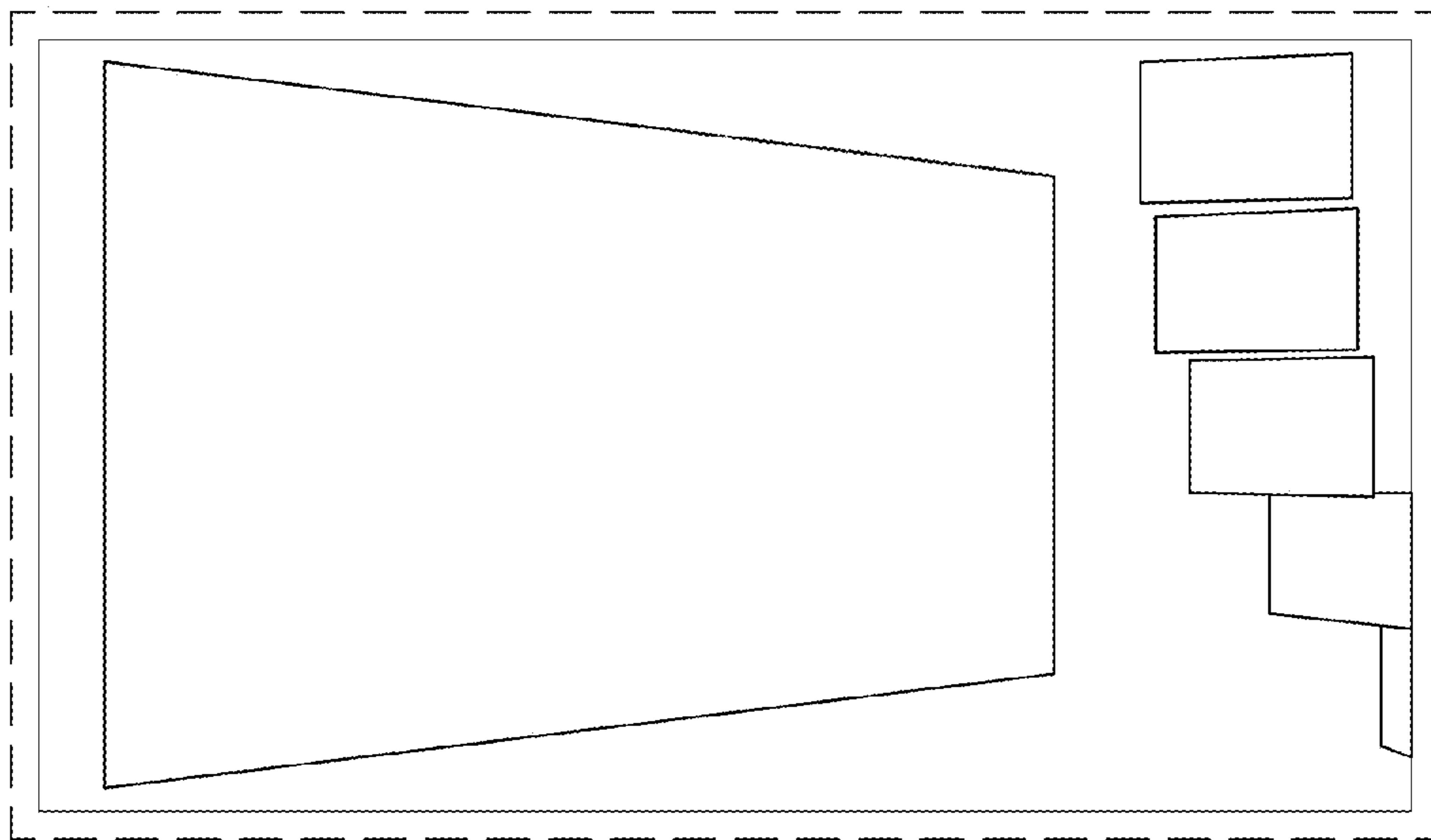


FIG. 15

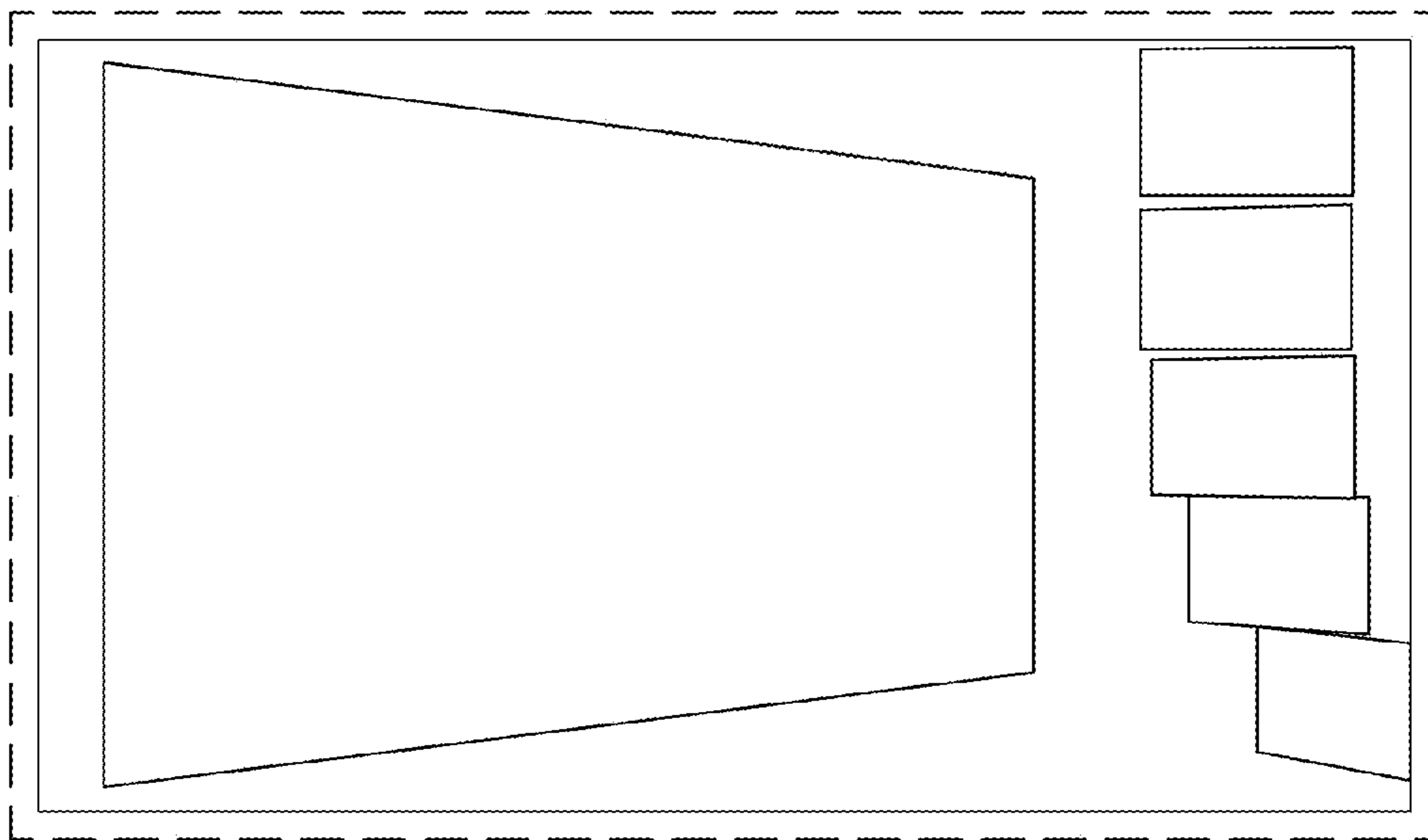


FIG. 16

