



US00D752596S

(12) **United States Design Patent**
Choi et al.

(10) **Patent No.:** **US D752,596 S**
(45) **Date of Patent:** **** Mar. 29, 2016**

(54) **WALL PAD**

(56) **References Cited**

(71) Applicant: **Samsung Electronics Co., Ltd.**,
Suwon-si, Gyeonggi-do (KR)
(72) Inventors: **Hwan-Woong Choi**, Seoul (KR);
Young-Min Park, Seoul (KR)
(73) Assignee: **SAMSUNG ELECTRONICS CO.,**
LTD. (KR)
(**) Term: **14 Years**
(21) Appl. No.: **29/517,802**
(22) Filed: **Feb. 17, 2015**

U.S. PATENT DOCUMENTS

D376,177 S *	12/1996	Springer	D14/458
D650,784 S *	12/2011	Feldstein	D14/434
D654,077 S *	2/2012	Radin	D14/434
D680,118 S *	4/2013	Schmelling	D14/434
D687,441 S *	8/2013	Janzen	D14/447
D692,008 S *	10/2013	Feldstein	D14/447
D703,677 S *	4/2014	Bigazzi	D14/447
D704,196 S *	5/2014	Yohai-Giochais	D14/447
D709,511 S *	7/2014	Sparks	D14/447
D714,793 S *	10/2014	Kim	D14/447
D720,358 S *	12/2014	Ginsterblum	D14/447
D724,597 S *	3/2015	Akana	D14/447
D727,914 S *	4/2015	Specht	D14/440

* cited by examiner

(30) **Foreign Application Priority Data**

Aug. 29, 2014 (KR) 30-2014-0042436

(51) **LOC (10) Cl.** **08-07**
(52) **U.S. Cl.**
USPC **D14/447**

(58) **Field of Classification Search**
USPC D14/447, 432, 434, 439, 440, 451, 452,
D14/457, 250, 251, 253; D3/218; D6/406.3,
D6/406.4, 406.5, 406.6
CPC A45C 2011/003; A45C 2011/002;
A45C 13/002; A47B 2023/049; A47B
2097/005; A47B 2097/006; A47B 21/04;
A47B 23/00; A47B 23/043; A47B 2021/0307;
A47B 2023/005; F16M 2200/00; H04B
1/3888; H04M 1/04; H04M 1/185
See application file for complete search history.

Primary Examiner — Angela J Lee

(74) *Attorney, Agent, or Firm* — Cantor Colburn LLP

(57) **CLAIM**

The ornamental design for a wall pad, as shown and described.

DESCRIPTION

FIG. 1 is a perspective view of a wall pad, showing our new design;
FIG. 2 is a front view thereof;
FIG. 3 is a rear view thereof;
FIG. 4 is a side view thereof;
FIG. 5 is another side view thereof;
FIG. 6 is a top view thereof; and,
FIG. 7 is a bottom view thereof.

1 Claim, 5 Drawing Sheets

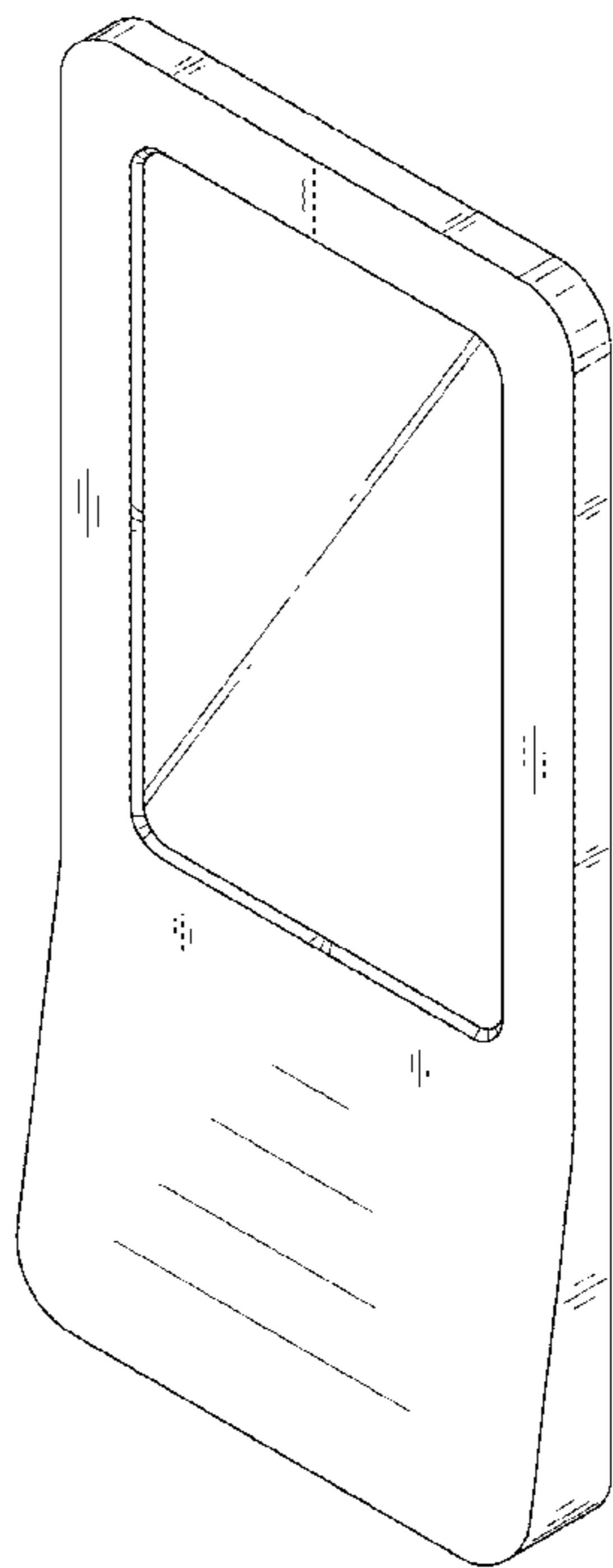


FIG. 1

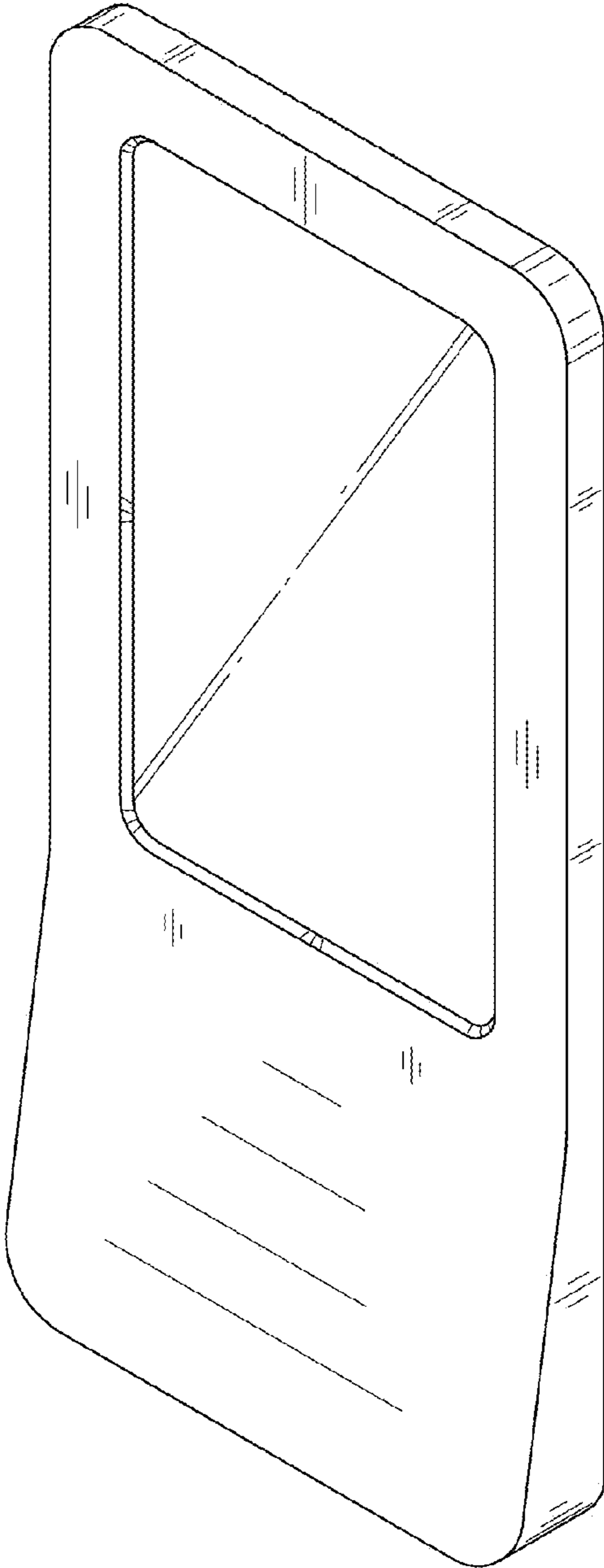


FIG. 2

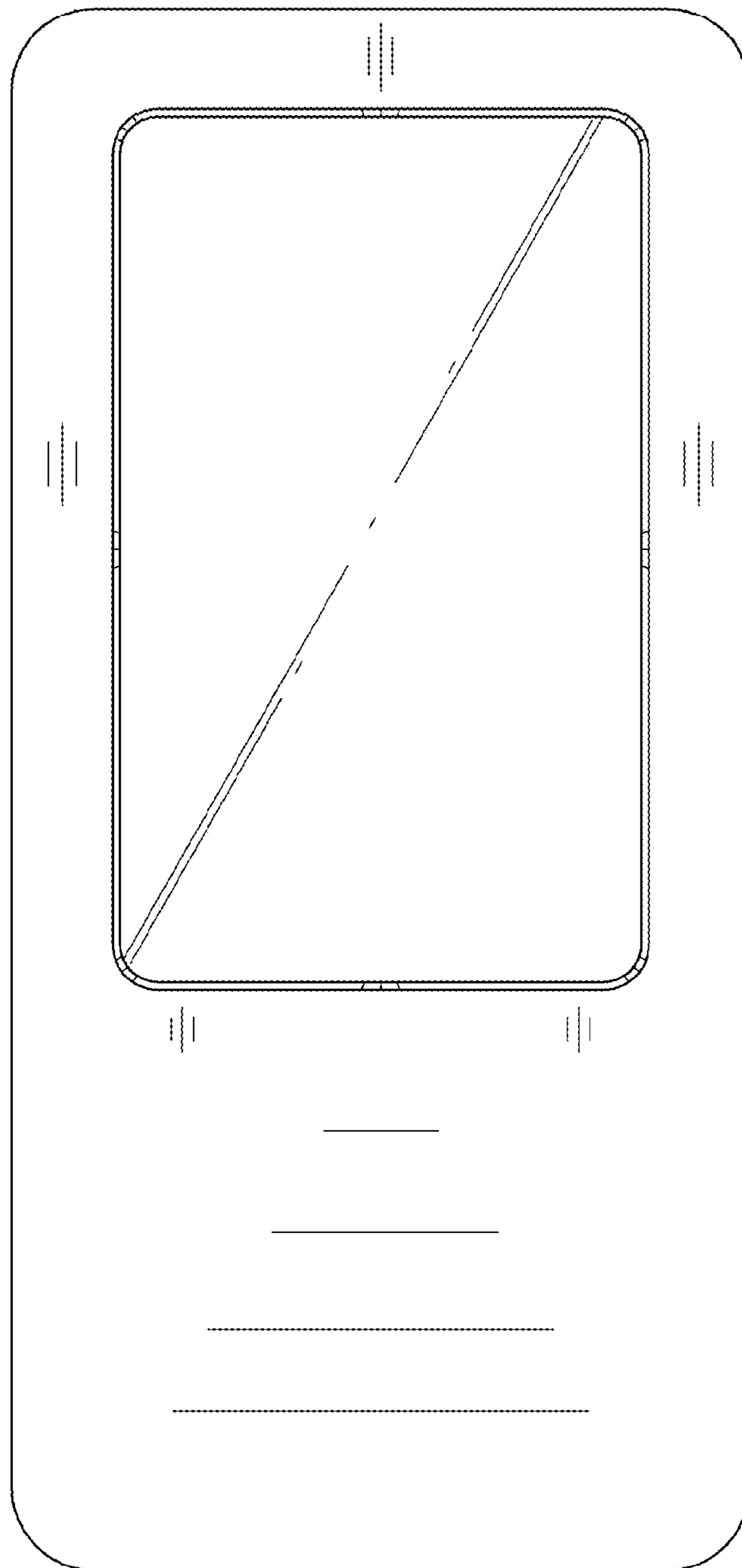


FIG. 3

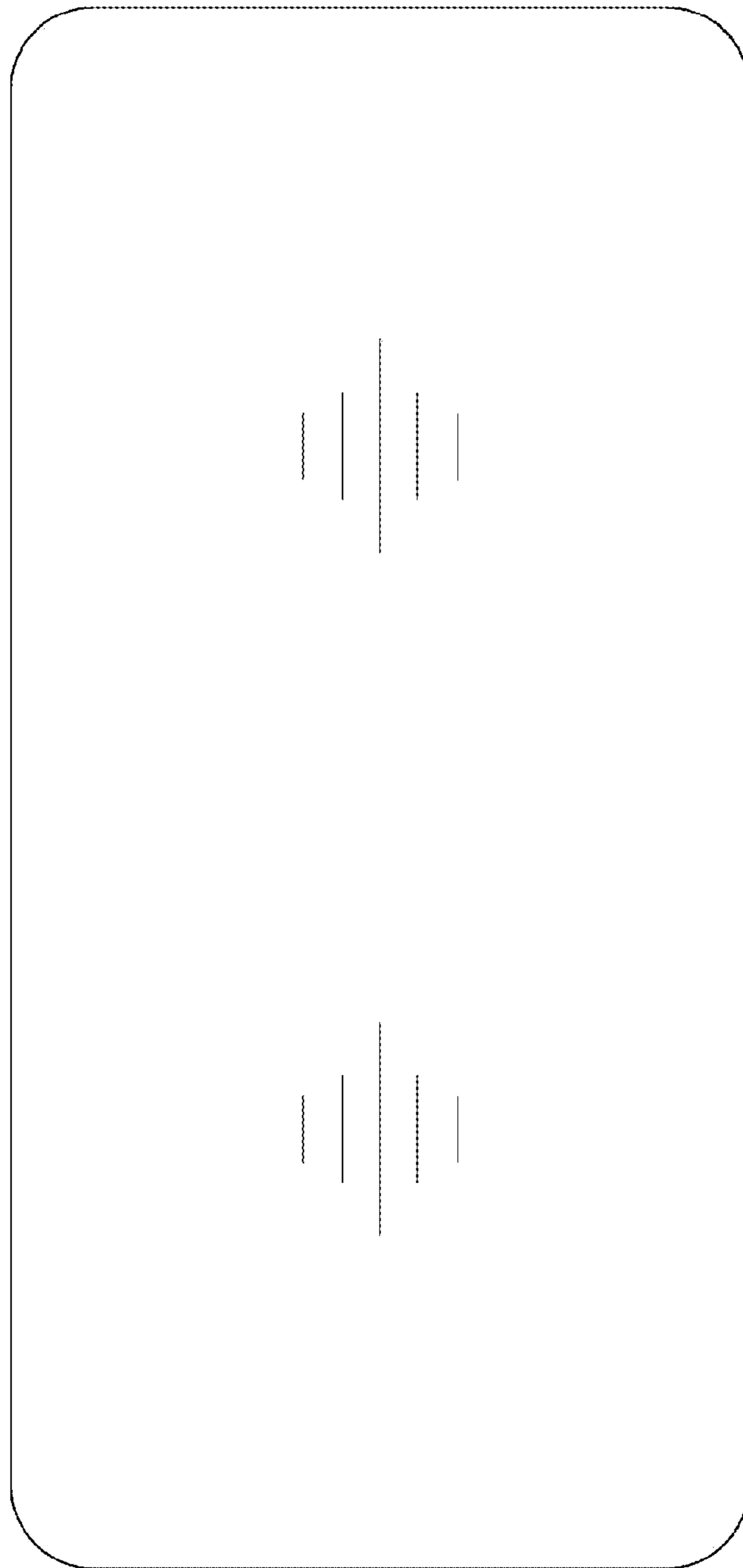


FIG. 4

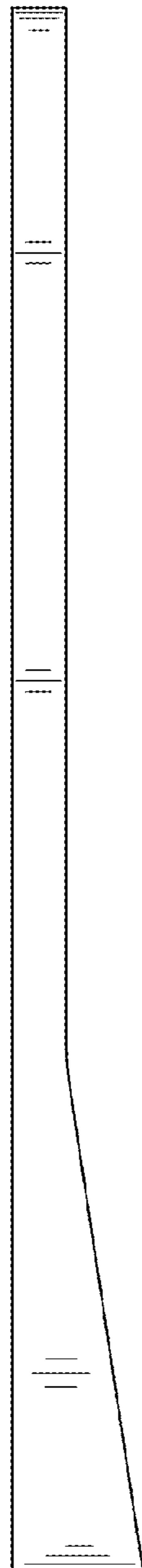


FIG. 5

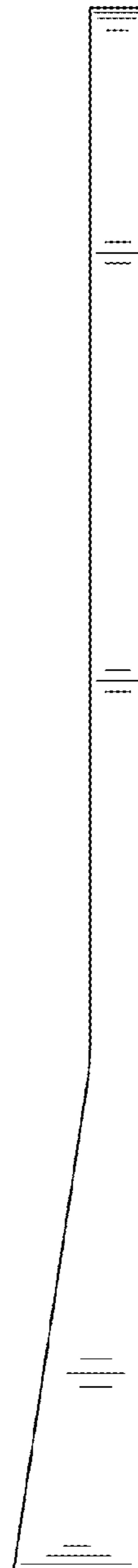


FIG. 6

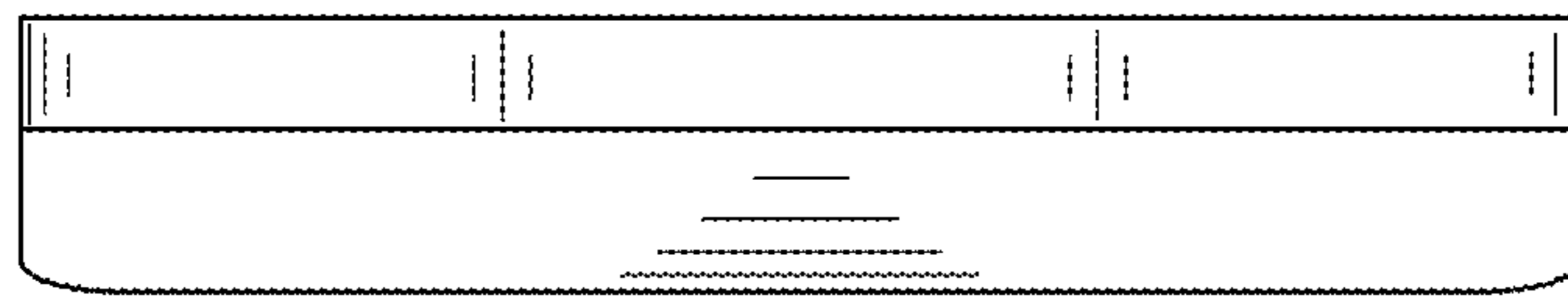


FIG. 7

