

US00D752594S

(12) **United States Design Patent**  
**Matsuoka**

(10) **Patent No.:** **US D752,594 S**  
(45) **Date of Patent:** **\*\* Mar. 29, 2016**

(54) **LAPTOP SLEEVE**

(71) Applicant: **Google Inc.**, Mountain View, CA (US)

(72) Inventor: **Yoshimichi Matsuoka**, Sunnyvale, CA (US)

(73) Assignee: **Google Inc.**, Mountain View, CA (US)

(\*\*) Term: **14 Years**

(21) Appl. No.: **29/514,843**

(22) Filed: **Jan. 16, 2015**

(51) **LOC (10) Cl.** ..... **14-02**

(52) **U.S. Cl.**  
USPC ..... **D14/440**

(58) **Field of Classification Search**  
USPC ..... D14/440, 439, 432, 203.4, 203.8, 341;  
D3/218, 215, 201, 294, 289, 900,  
D3/203.3; D19/102  
CPC ... G06F 1/1601; G06F 1/1626; G06F 1/1633;  
G06F 1/1675; G06F 1/167; G02F 1/1306;  
G02F 1/133308; G02F 1/153; G02F  
2001/133317; H04M 1/185; H04M 1/0252;  
H04B 1/3888

See application file for complete search history.

(56) **References Cited**

**U.S. PATENT DOCUMENTS**

D561,463	S	*	2/2008	Malhotra	.....	D3/218
D671,737	S	*	12/2012	Fahrendorff	.....	D3/218
D707,958	S	*	7/2014	Rubin	.....	D3/216
D715,536	S	*	10/2014	Basmaji	.....	D3/218
D719,169	S	*	12/2014	McBroom	.....	D14/440
D724,835	S	*	3/2015	Zhang	.....	D3/218
D733,148	S	*	6/2015	Flannigan	.....	D14/440
D740,548	S	*	10/2015	Hassler	.....	D3/218
2013/0214661	A1	*	8/2013	McBroom	.....	G06F 1/1667 312/325

**OTHER PUBLICATIONS**

Deluxe Carrying Case (Sleeve) for 15" MacBook Pro (Retina Display)—White, Cranberry [online]. Incase Designs [retrieved on Jul.

15, 2015]. Retrieved from the Internet: <URL: [http://www.amazon.com/Deluxe-Carrying-Sleeve-MacBook-Display/dp/B00BKNG1YU/ref=sr\\_1\\_8?s=electronics&ie=UTF8&qid=1436971832&sr=1-8&keywords=Deluxe+Carrying+Case+%28Sleeve%29+for+15%22+MacBook+Pro+-#Ask](http://www.amazon.com/Deluxe-Carrying-Sleeve-MacBook-Display/dp/B00BKNG1YU/ref=sr_1_8?s=electronics&ie=UTF8&qid=1436971832&sr=1-8&keywords=Deluxe+Carrying+Case+%28Sleeve%29+for+15%22+MacBook+Pro+-#Ask>)>, (undated) 6 pages. Upon information and belief, this product listing was publicly available prior to Jan. 16, 2015.

\* cited by examiner

*Primary Examiner* — Cynthia Underwood  
(74) *Attorney, Agent, or Firm* — Lerner, David, Littenberg, Krumholz & Mentlik, LLP

(57) **CLAIM**

The ornamental design for a laptop sleeve, as shown and described.

**DESCRIPTION**

FIG. 1 is a front perspective view of a laptop sleeve according to a first embodiment of my design in a closed configuration; FIG. 2 is a front elevation view thereof; FIG. 3 is a back elevation view thereof; FIG. 4 is a right side elevation view thereof; FIG. 5 is a left side elevation view thereof; FIG. 6 is a top elevation view thereof; FIG. 7 is a bottom elevation view thereof; FIG. 8 is a front perspective view of a laptop sleeve according to the first embodiment of my design in an open configuration; FIG. 9 is a front elevation view thereof; FIG. 10 is a back elevation view thereof; FIG. 11 is a right side elevation view thereof; FIG. 12 is a left side elevation view thereof; FIG. 13 is a top elevation view thereof; FIG. 14 is a bottom elevation view thereof; FIG. 15 is a front perspective view of the laptop sleeve of FIG. 1 in a partially open configuration; FIG. 16 is a front perspective view of the laptop sleeve of FIG. 1 shown in connection with additional environmental features that can be associated therewith;

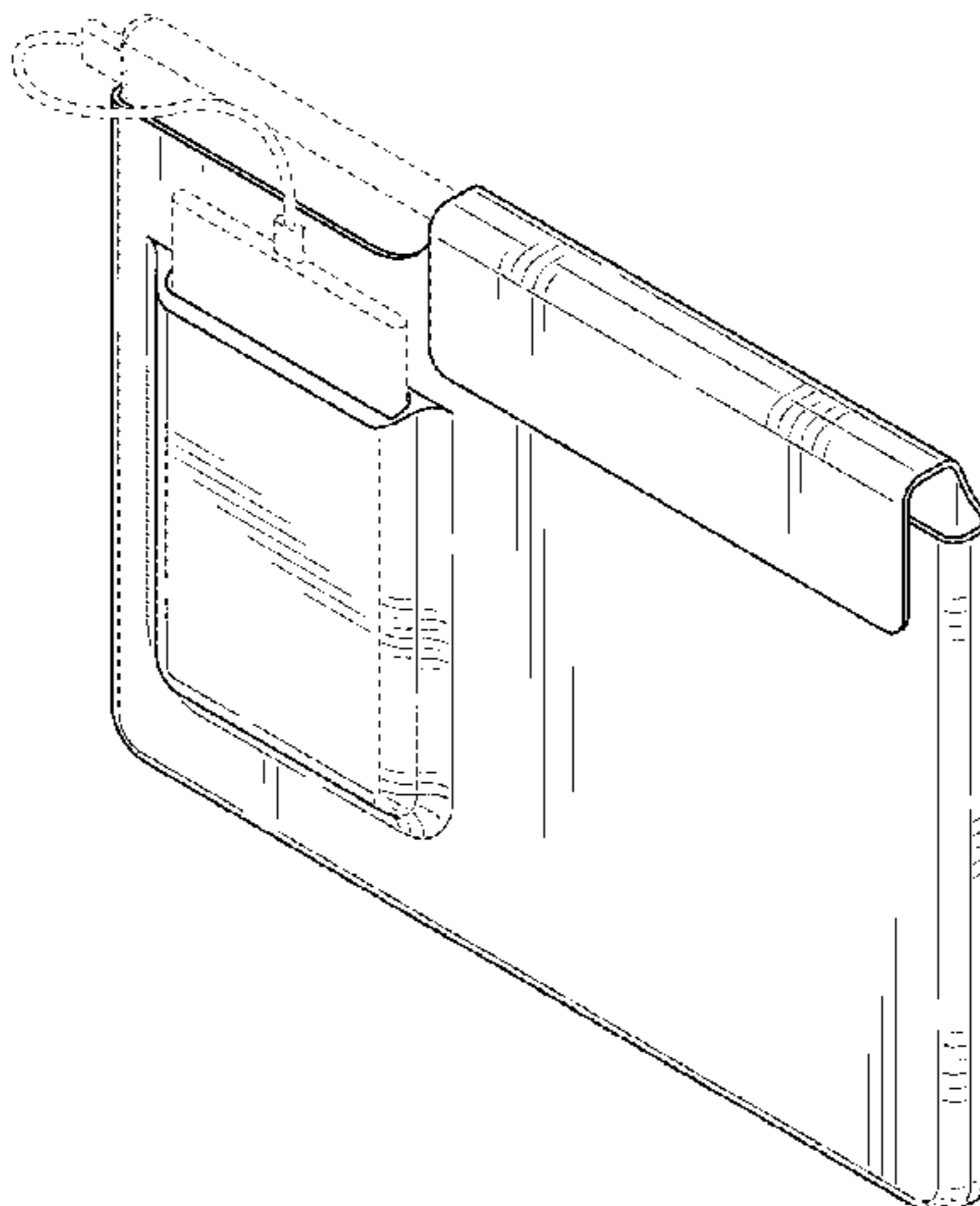


FIG. 17 is a front perspective view of a laptop sleeve according to a second embodiment of my design in a closed configuration;

FIG. 18 is a front elevation view thereof;

FIG. 19 is a back elevation view thereof;

FIG. 20 is a right side elevation view thereof;

FIG. 21 is a left side elevation view thereof;

FIG. 22 is a top elevation view thereof;

FIG. 23 is a bottom elevation view thereof;

FIG. 24 is a front perspective view of a laptop sleeve according to the second embodiment of my design in an open configuration;

FIG. 25 is a front elevation view thereof;

FIG. 26 is a back elevation view thereof;

FIG. 27 is a right side elevation view thereof;

FIG. 28 is a left side elevation view thereof;

FIG. 29 is a top elevation view thereof;

FIG. 30 is a bottom elevation view thereof; and,

FIG. 31 is a front perspective view of the laptop sleeve of FIG. 17 in a partially open configuration.

Broken lines are environmental only and form no part of the claimed design.

Areas of the design shown with a stipple fill preferably have a color or shading that contrasts with a color or shading of the non-stipple filled areas. Areas of the design shown with one type of stipple fill preferably represent portions of the design that have a color or shading that is the same as or contrasts with the color or shading of other areas of the design shown with a different type of stipple fill.

**1 Claim, 16 Drawing Sheets**

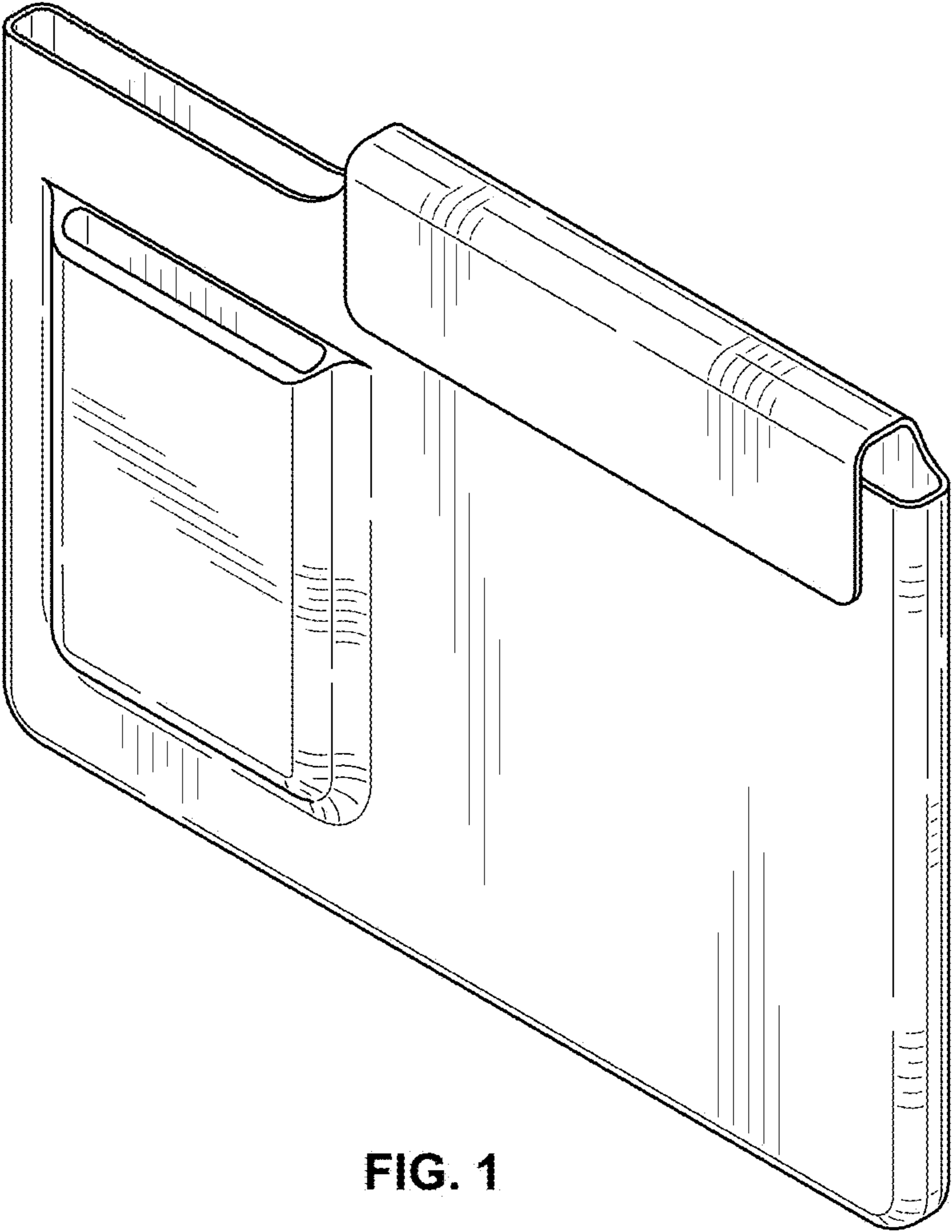


FIG. 1

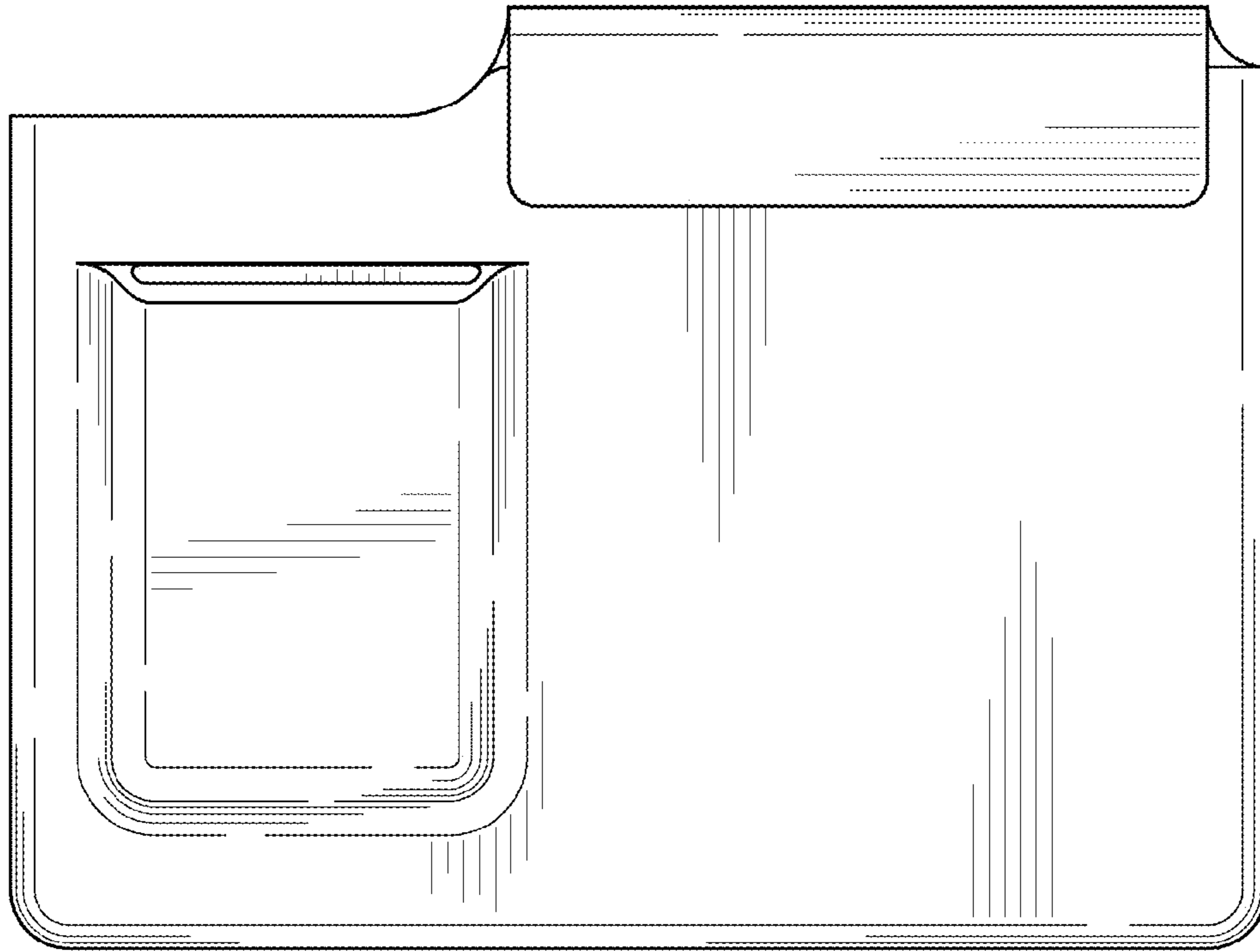


FIG. 2

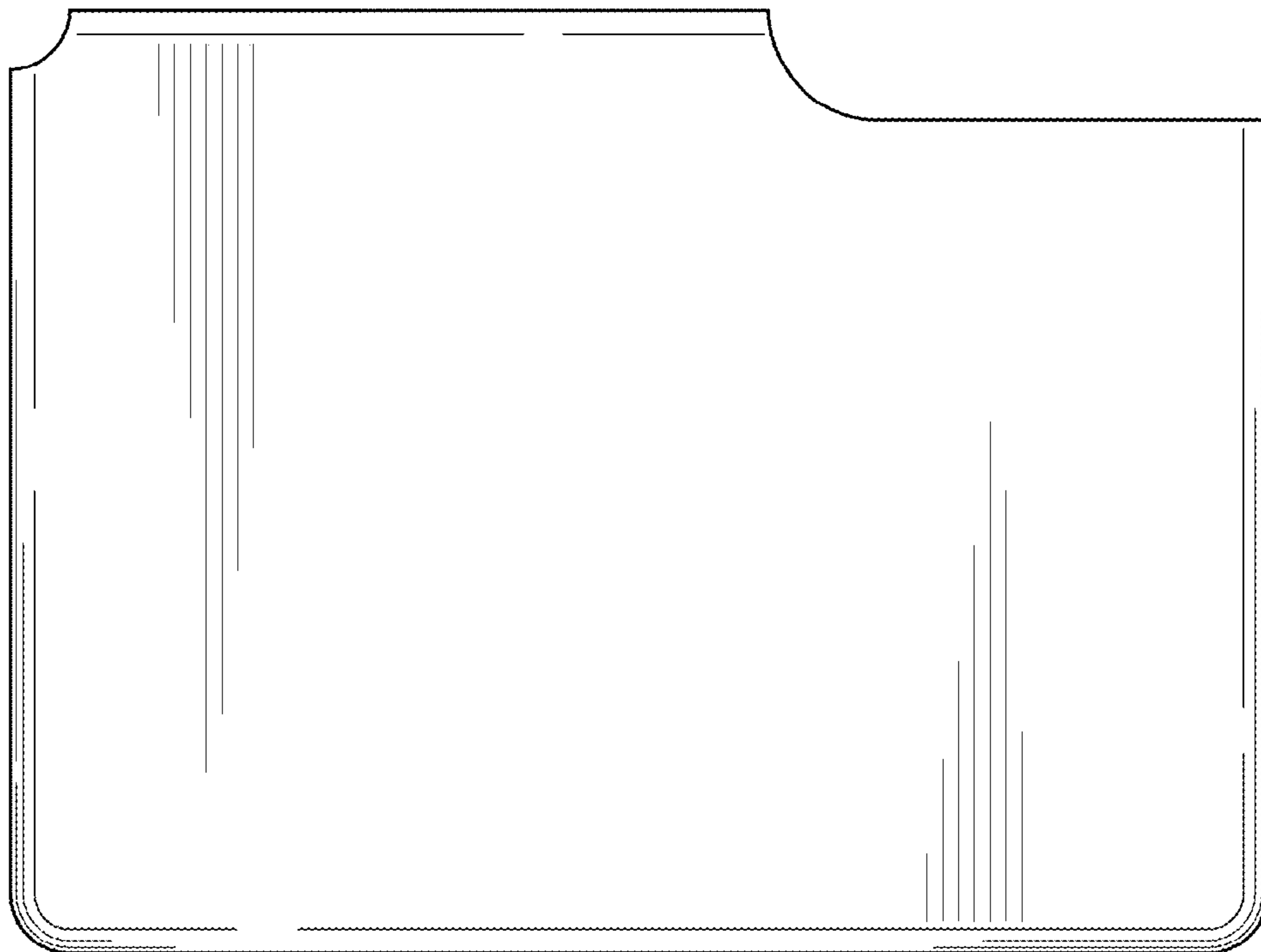


FIG. 3

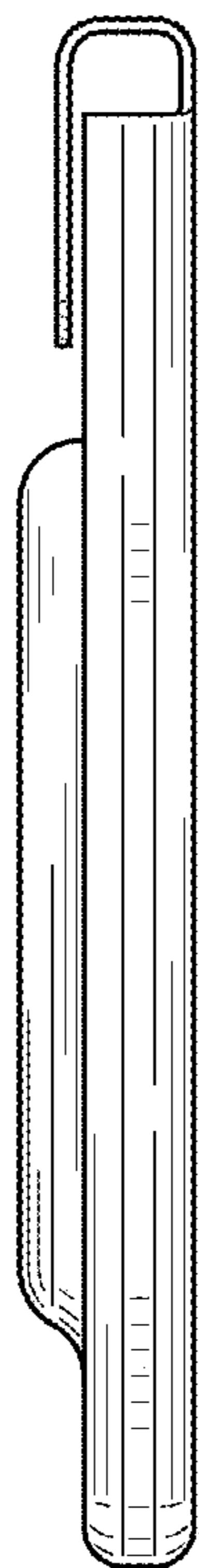


FIG. 4

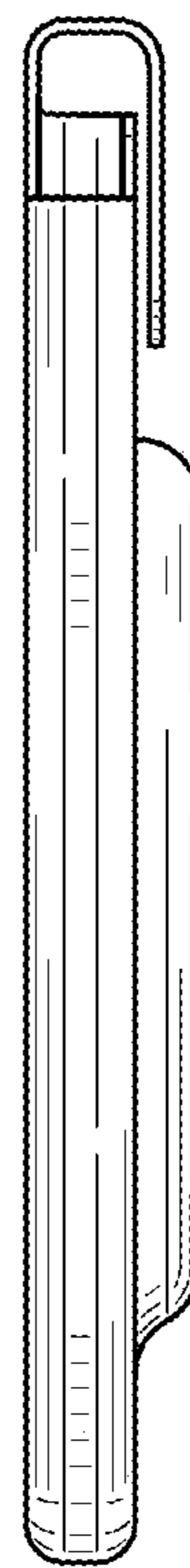


FIG. 5

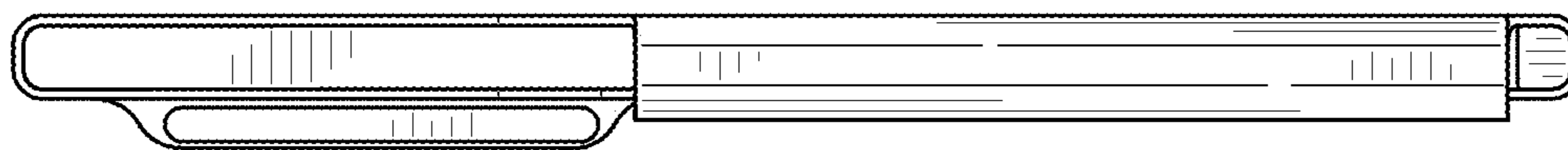


FIG. 6

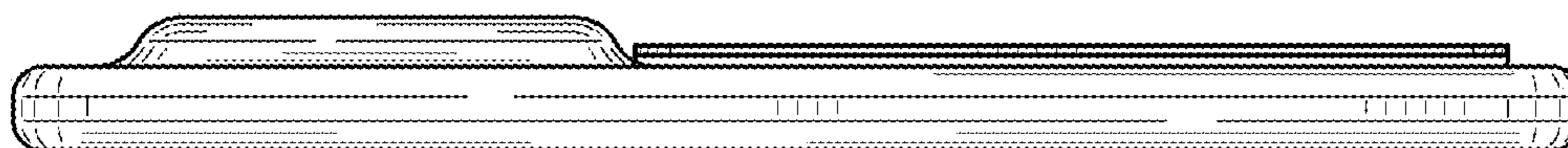


FIG. 7

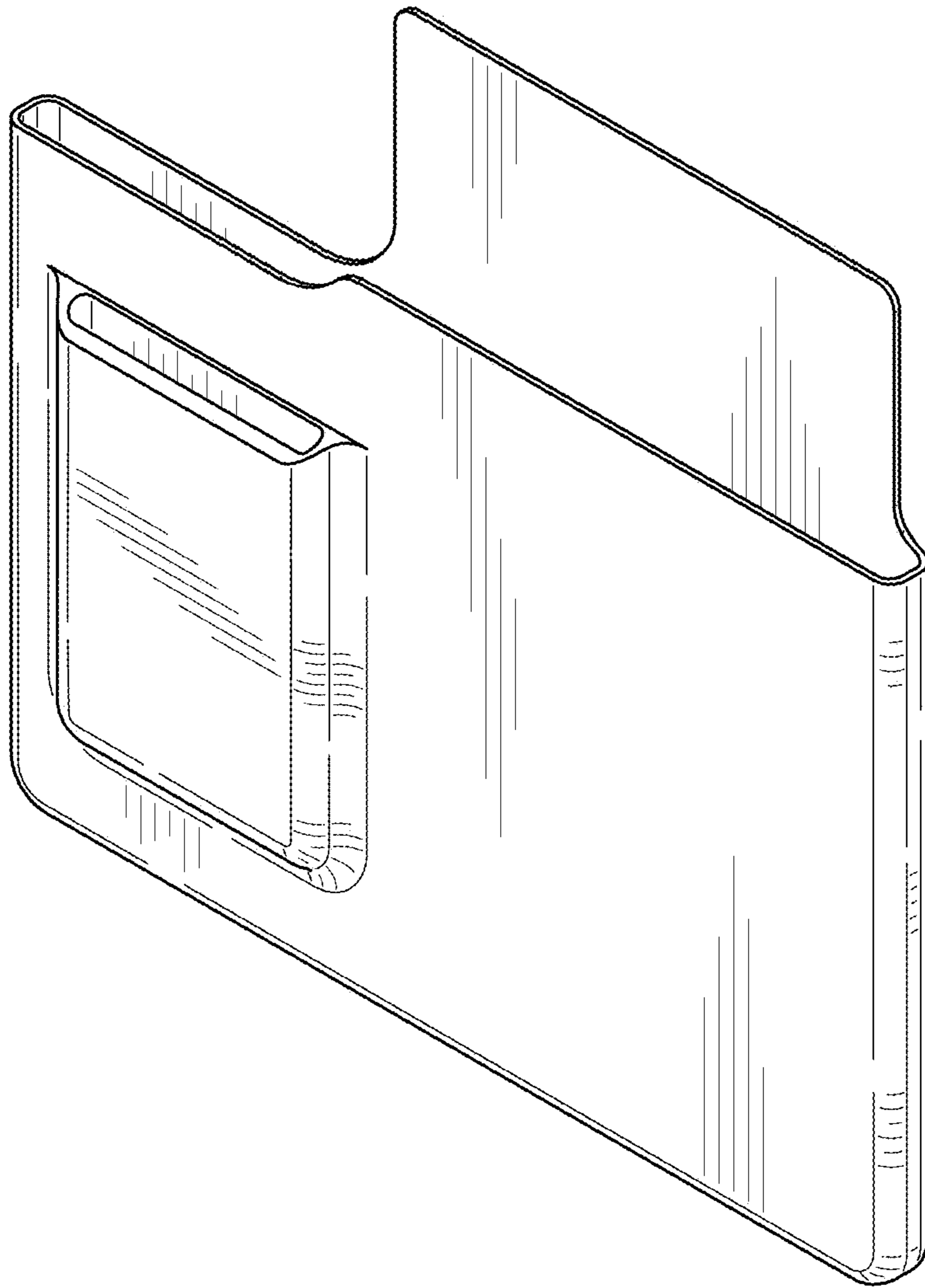


FIG. 8

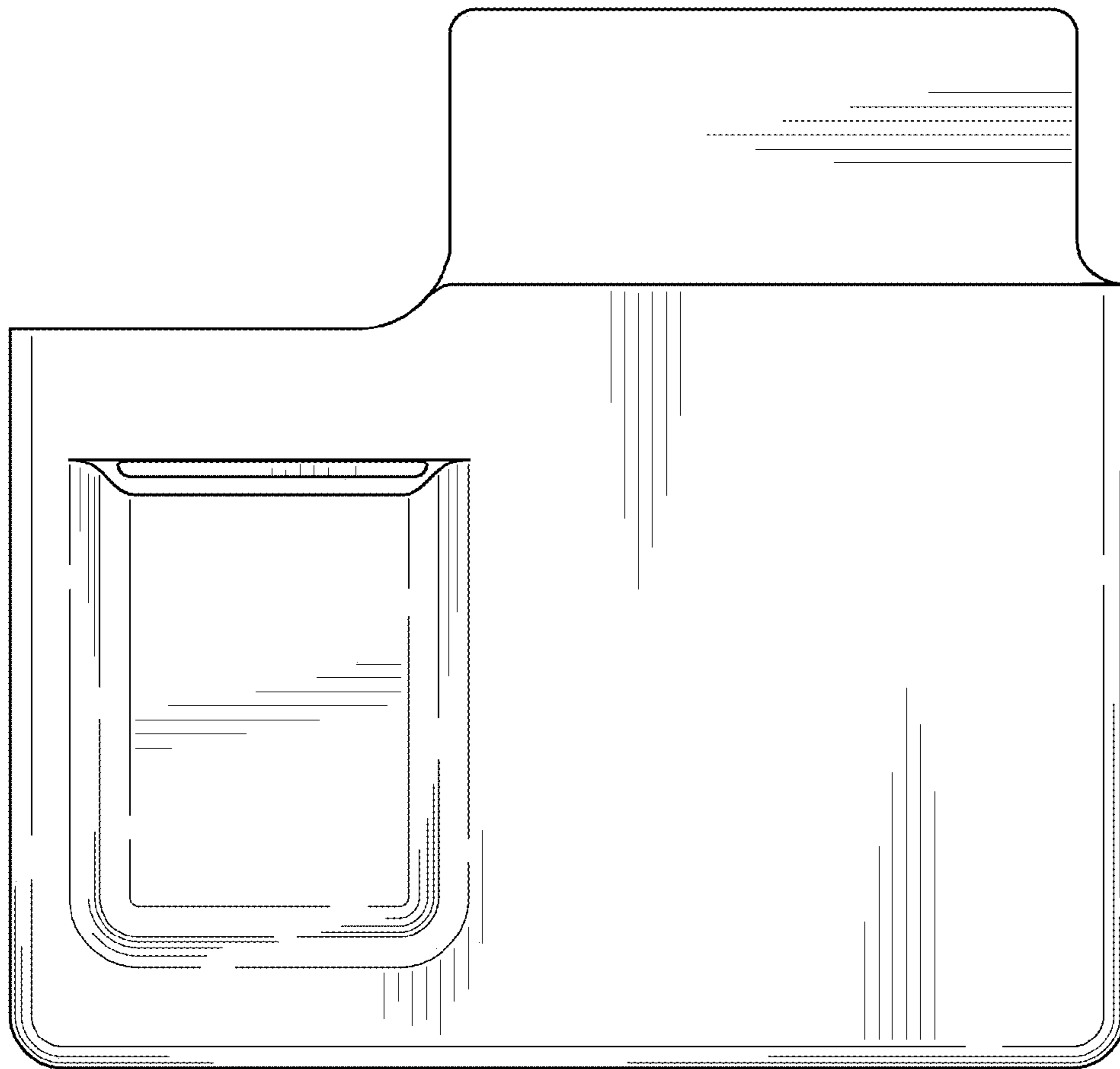


FIG. 9

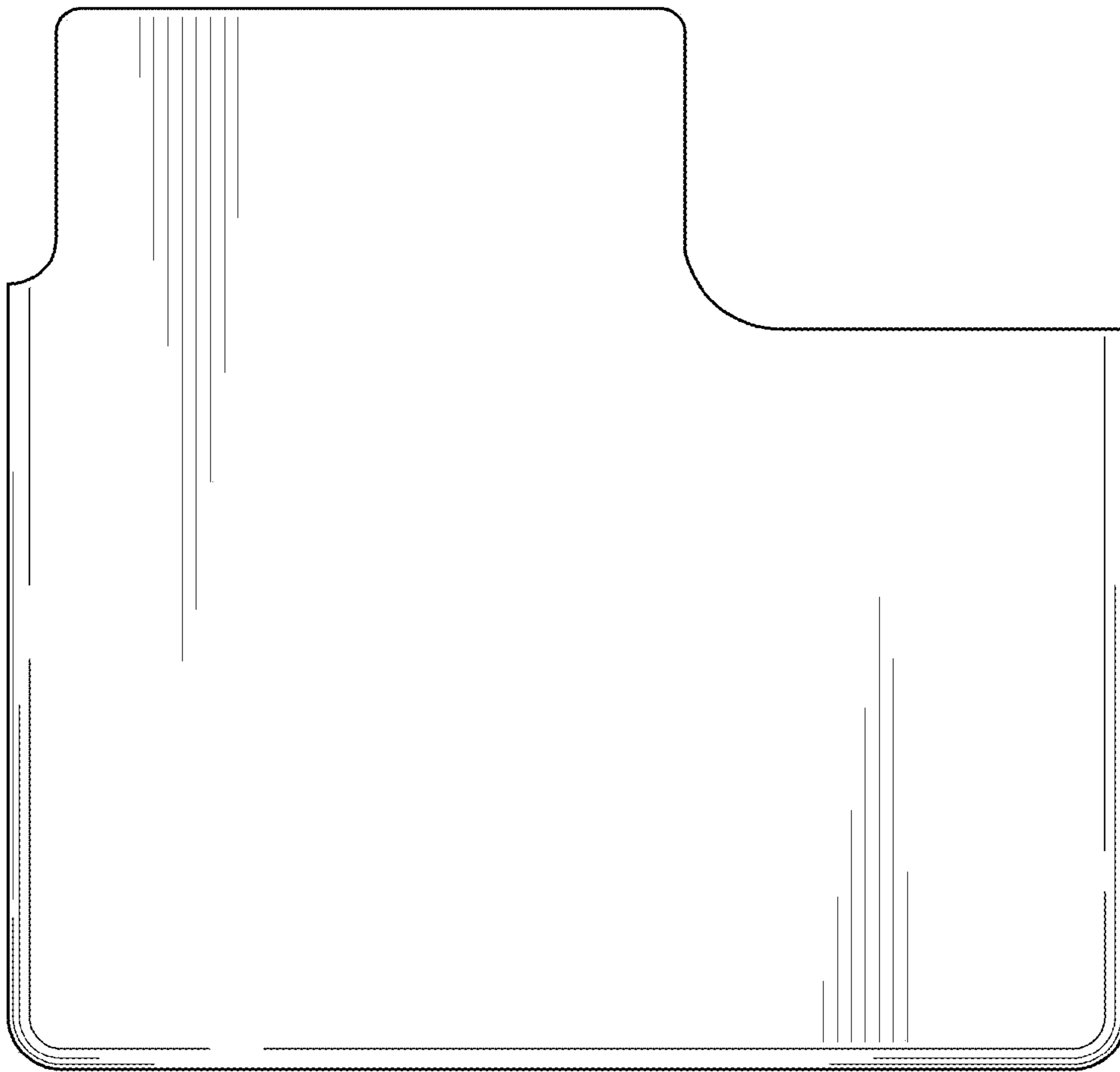


FIG. 10



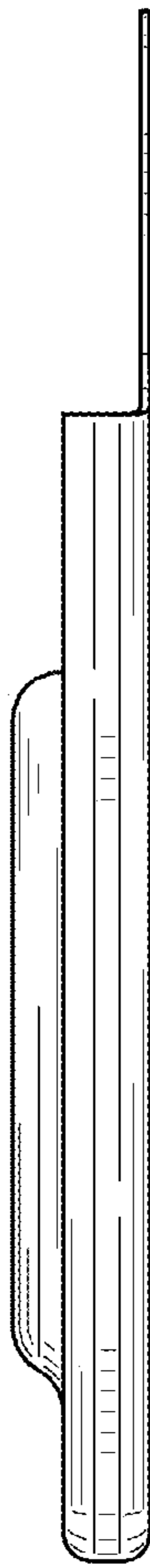


FIG. 11

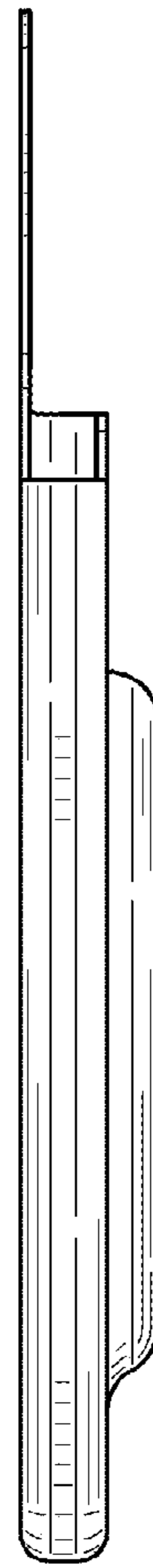


FIG. 12

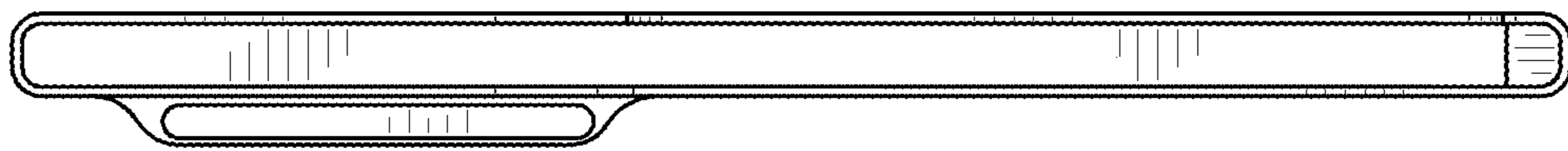


FIG. 13

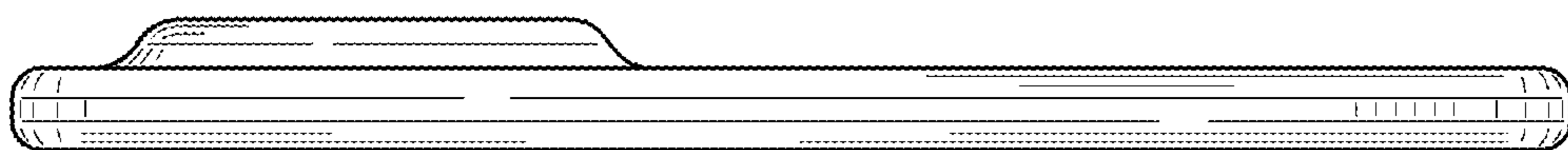


FIG. 14

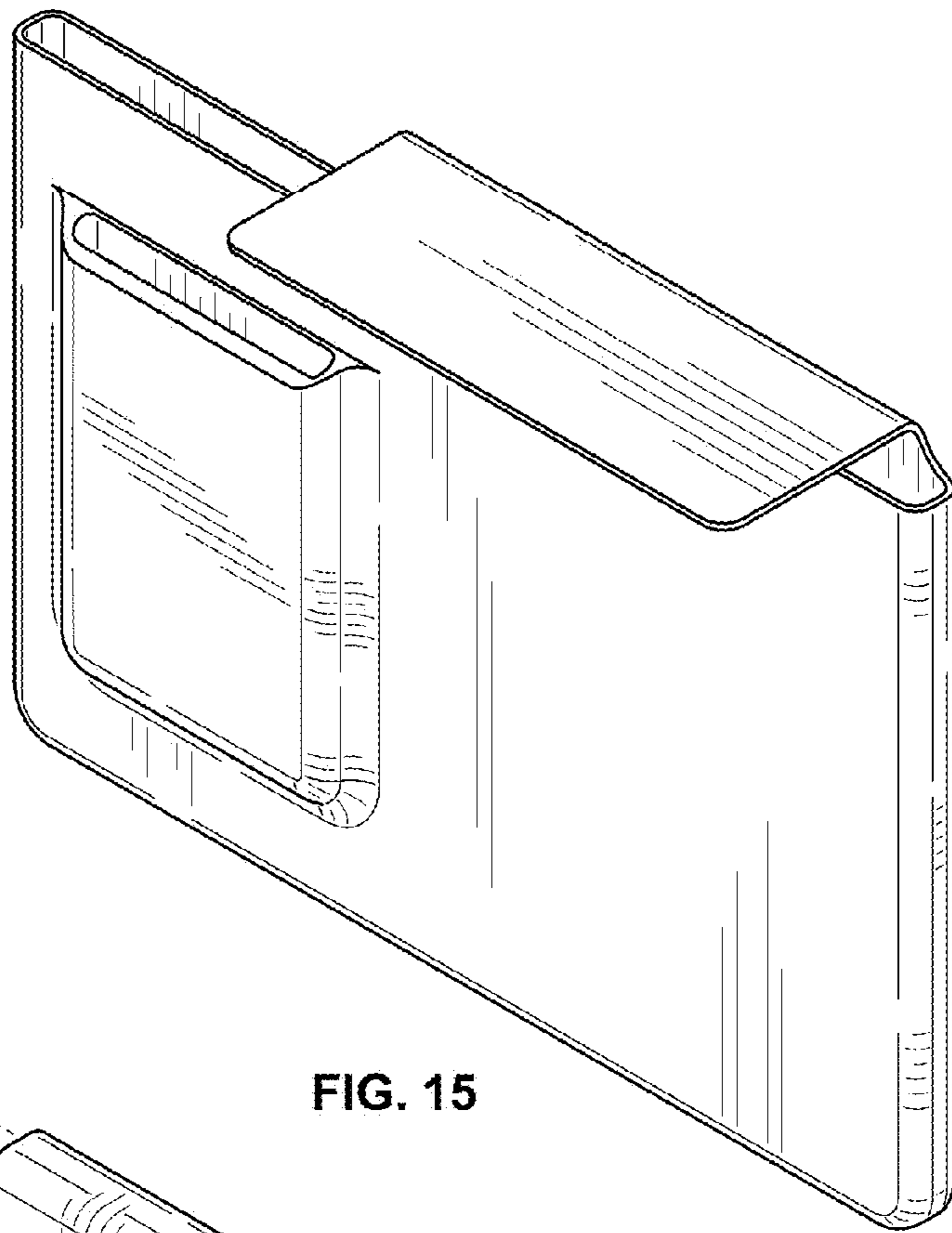


FIG. 15

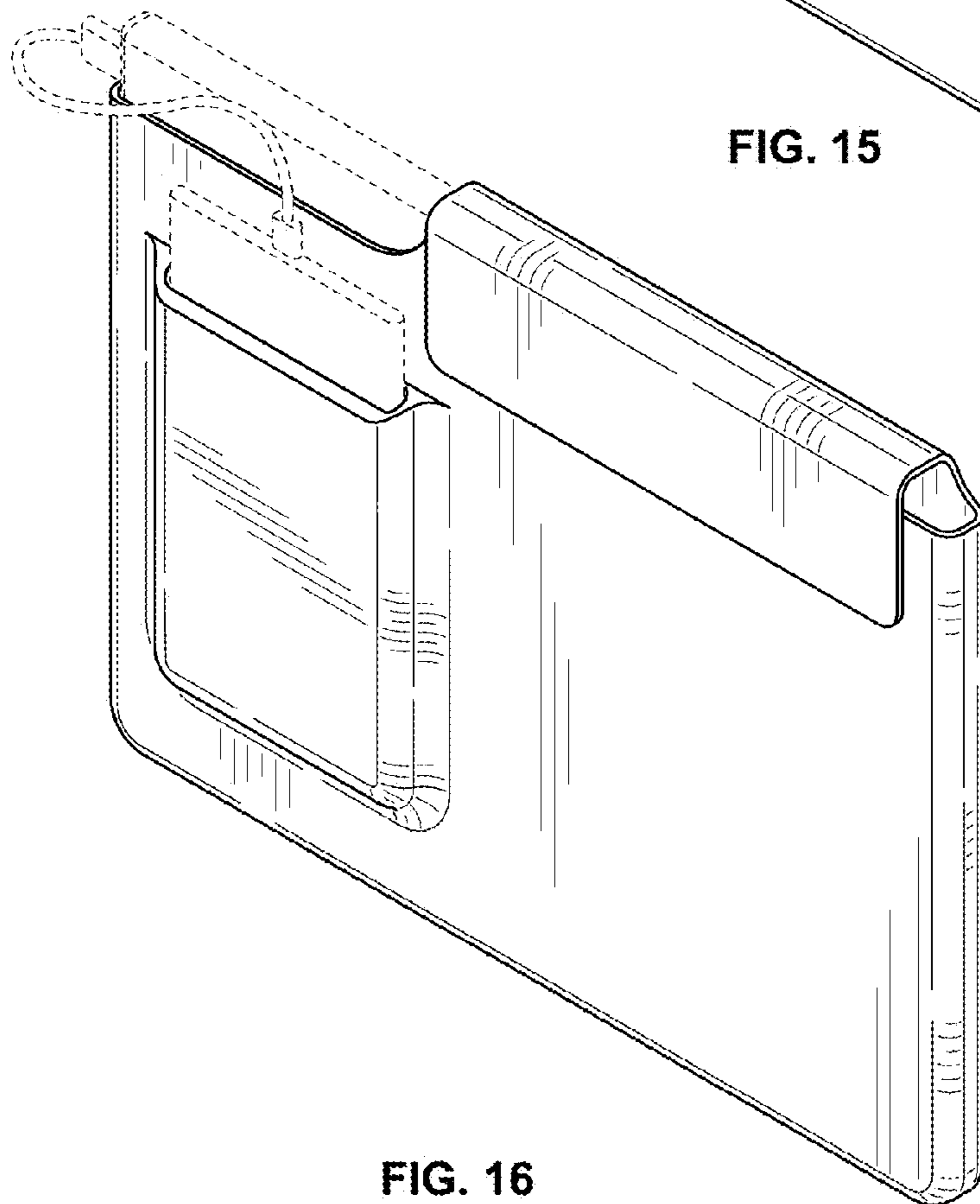


FIG. 16

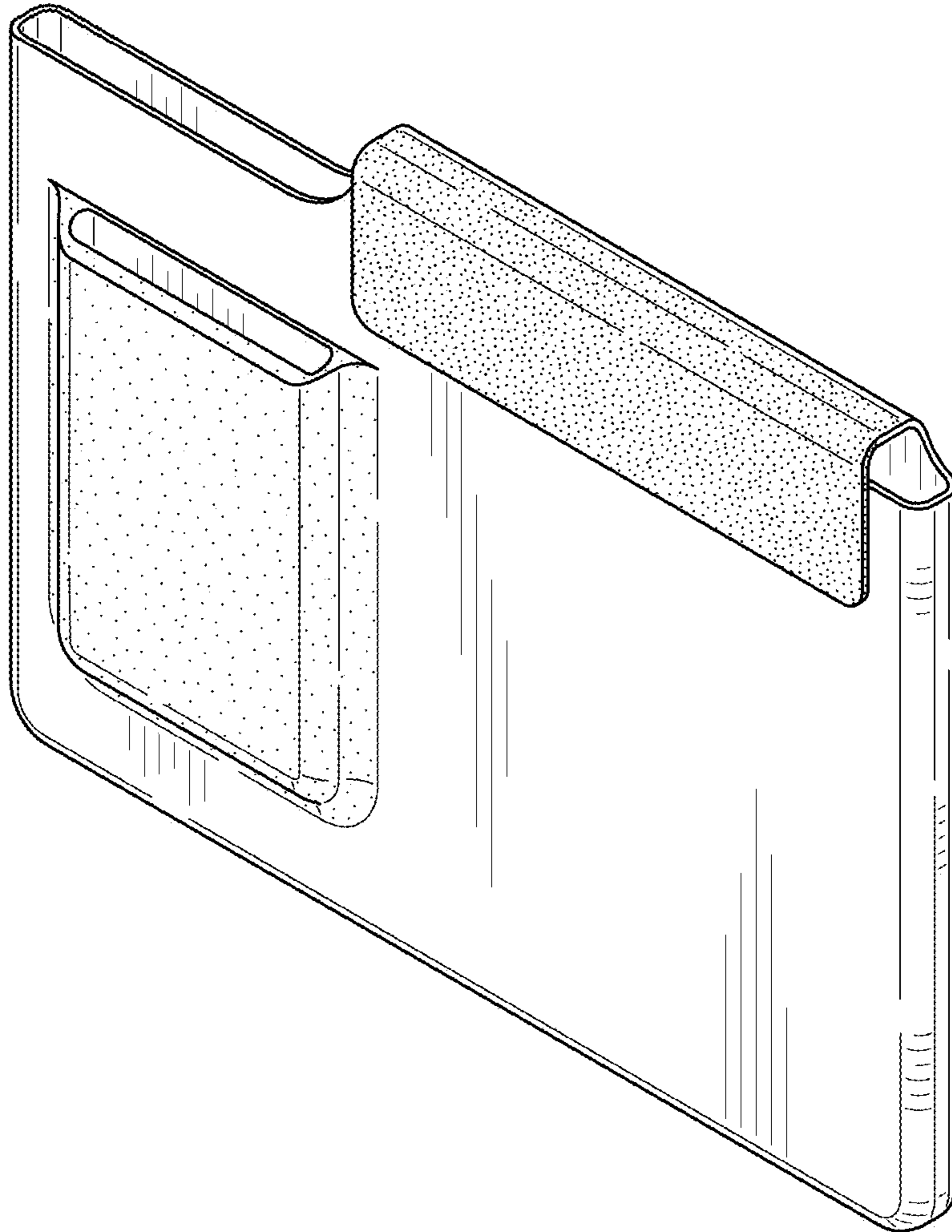


FIG. 17

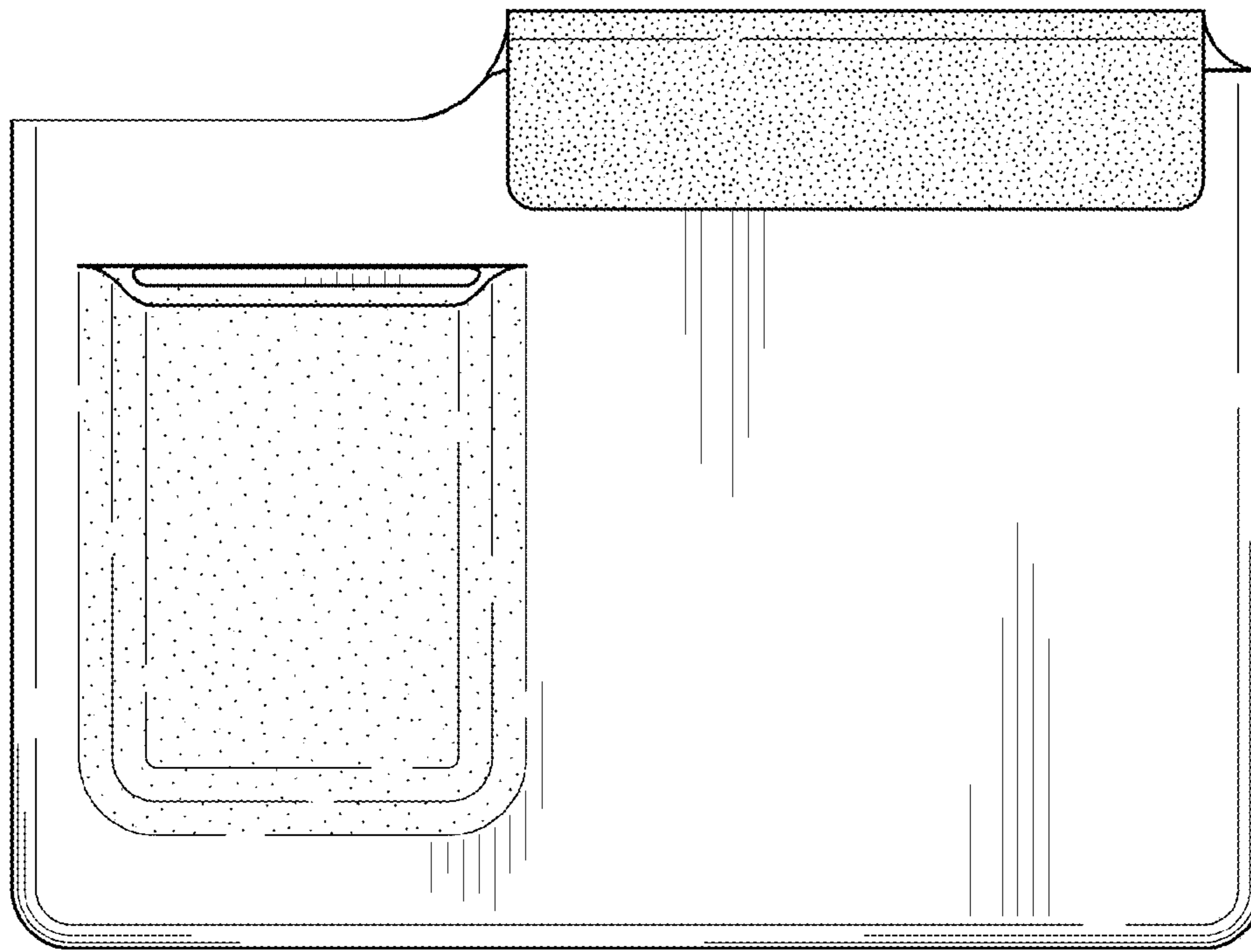


FIG. 18

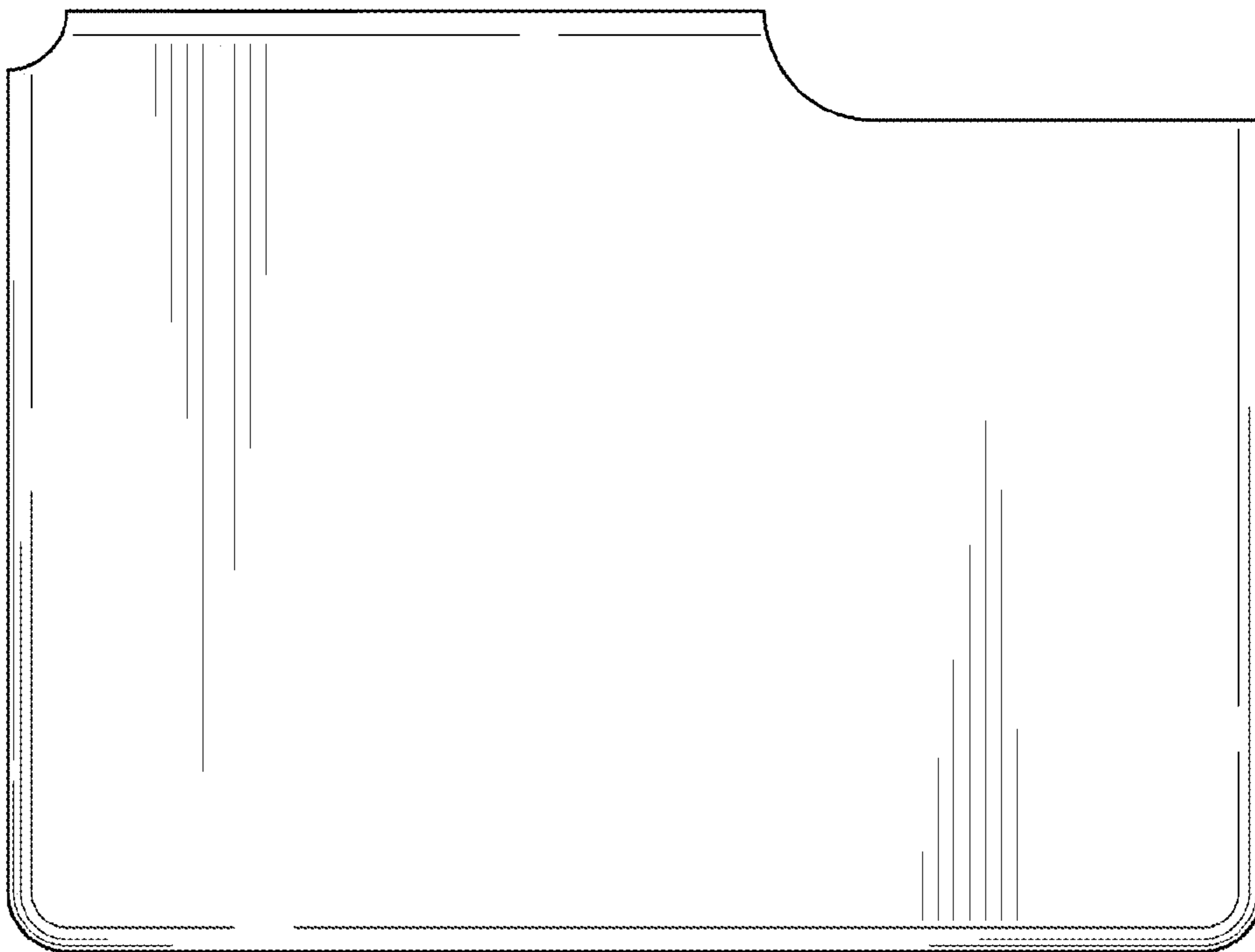


FIG. 19

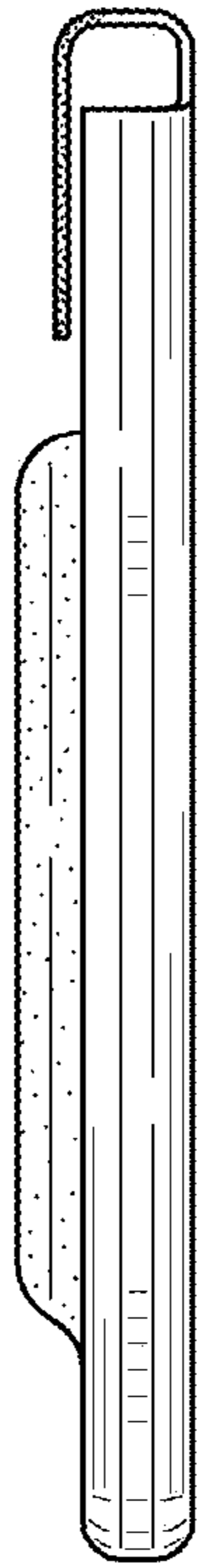


FIG. 20

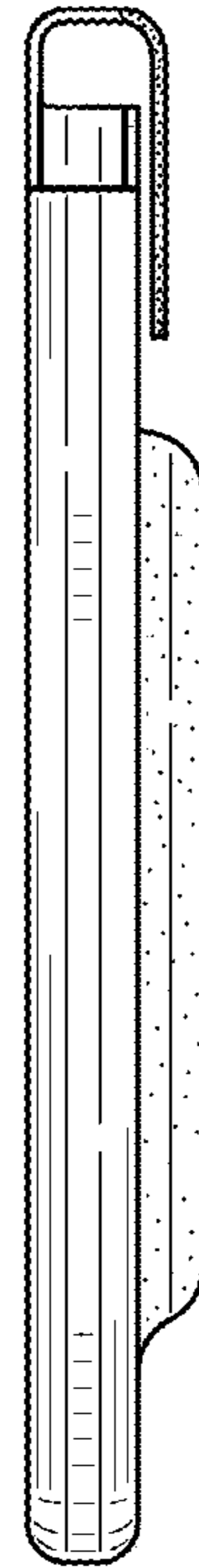


FIG. 21

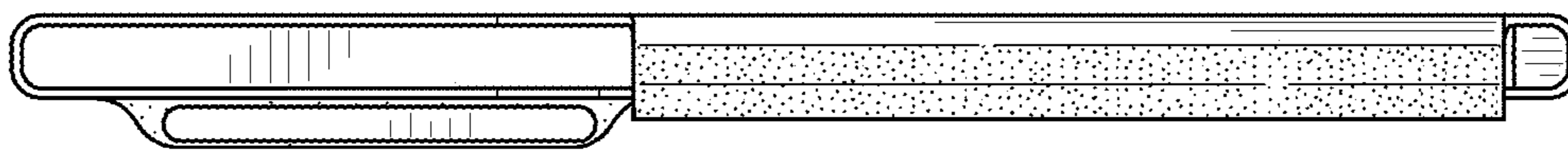


FIG. 22

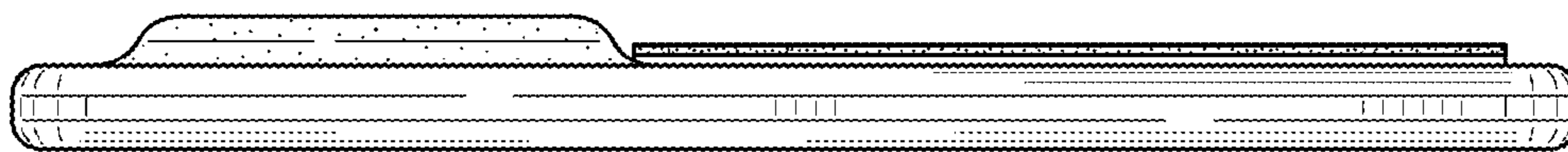


FIG. 23

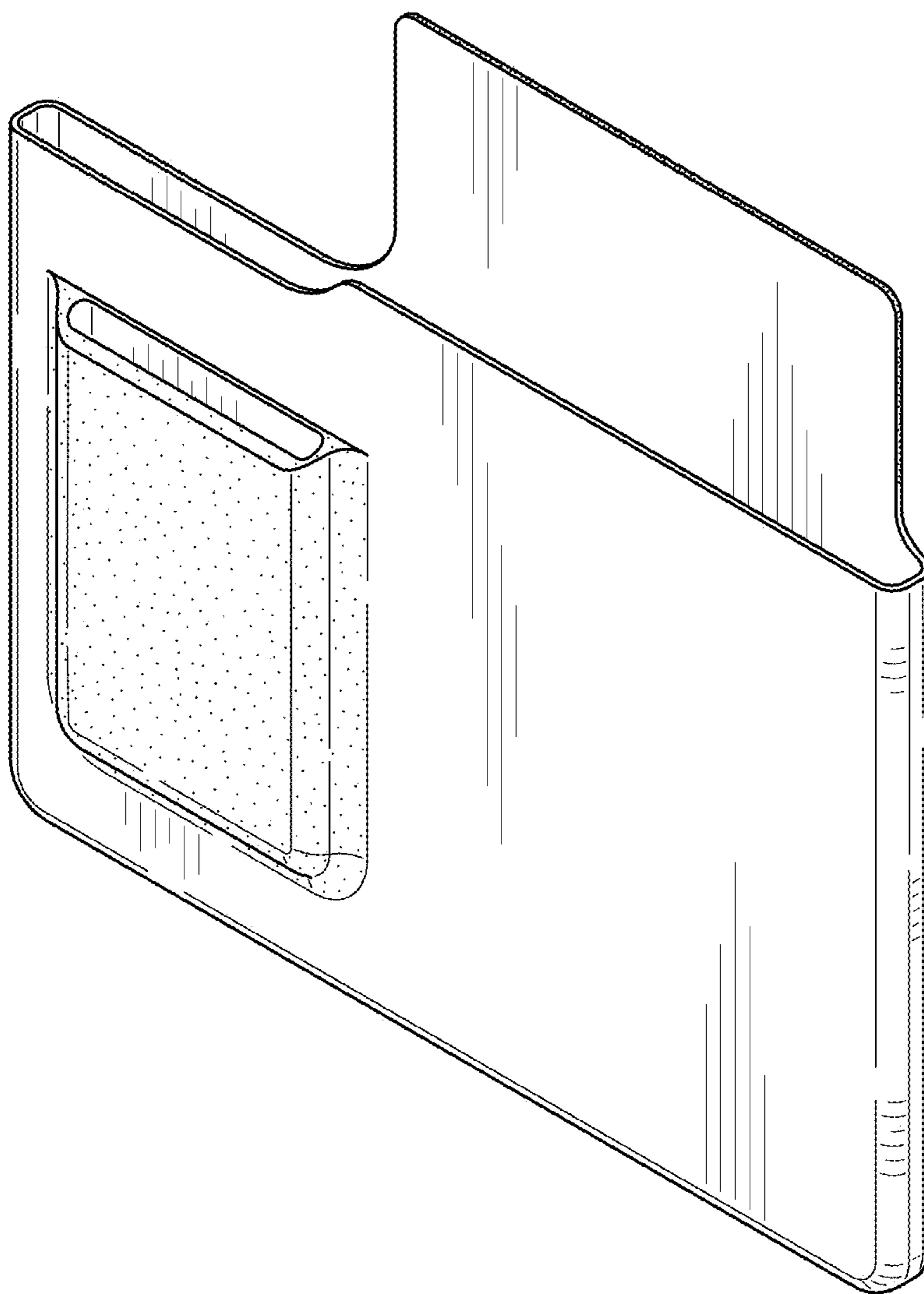


FIG. 24

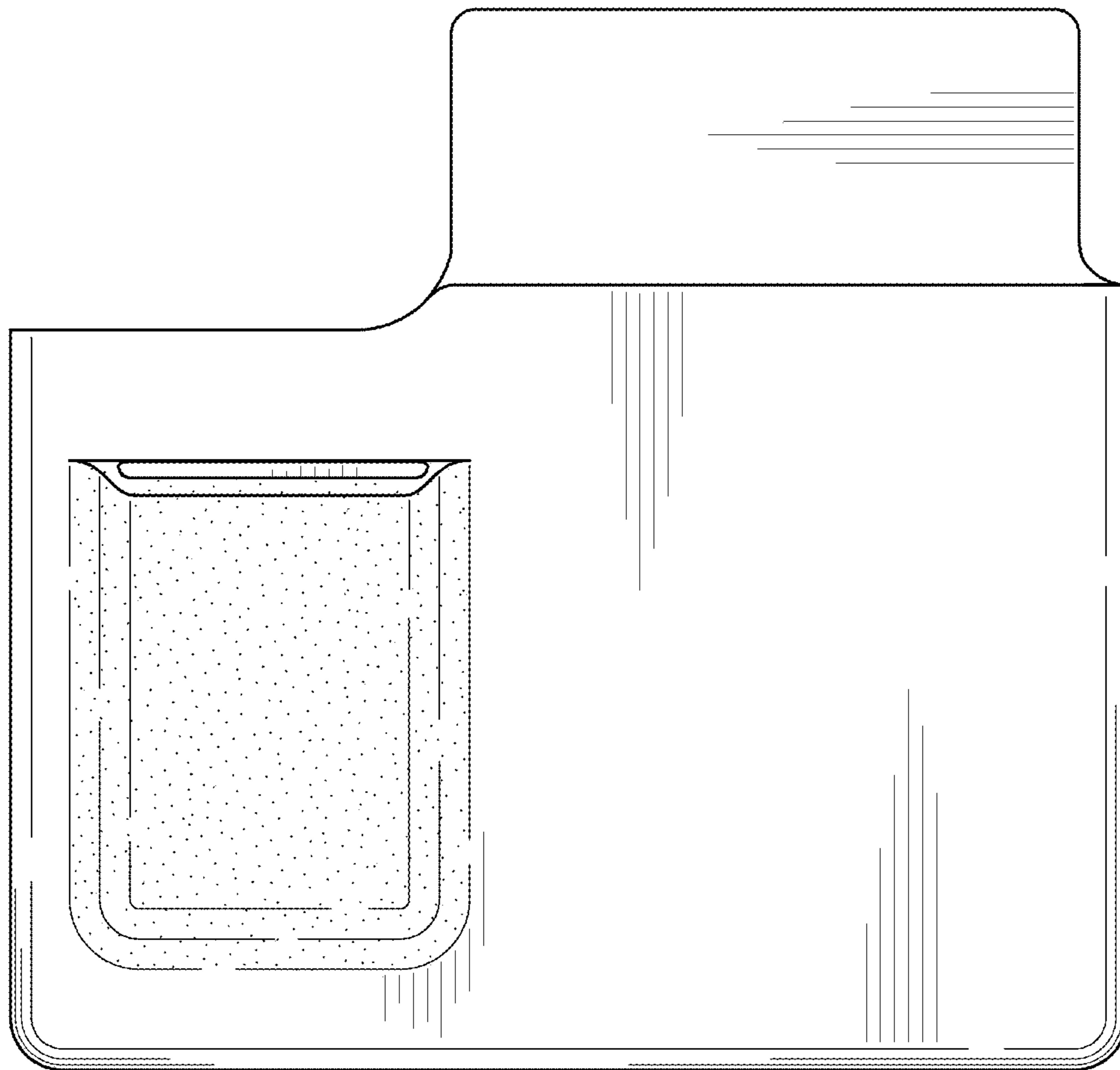


FIG. 25

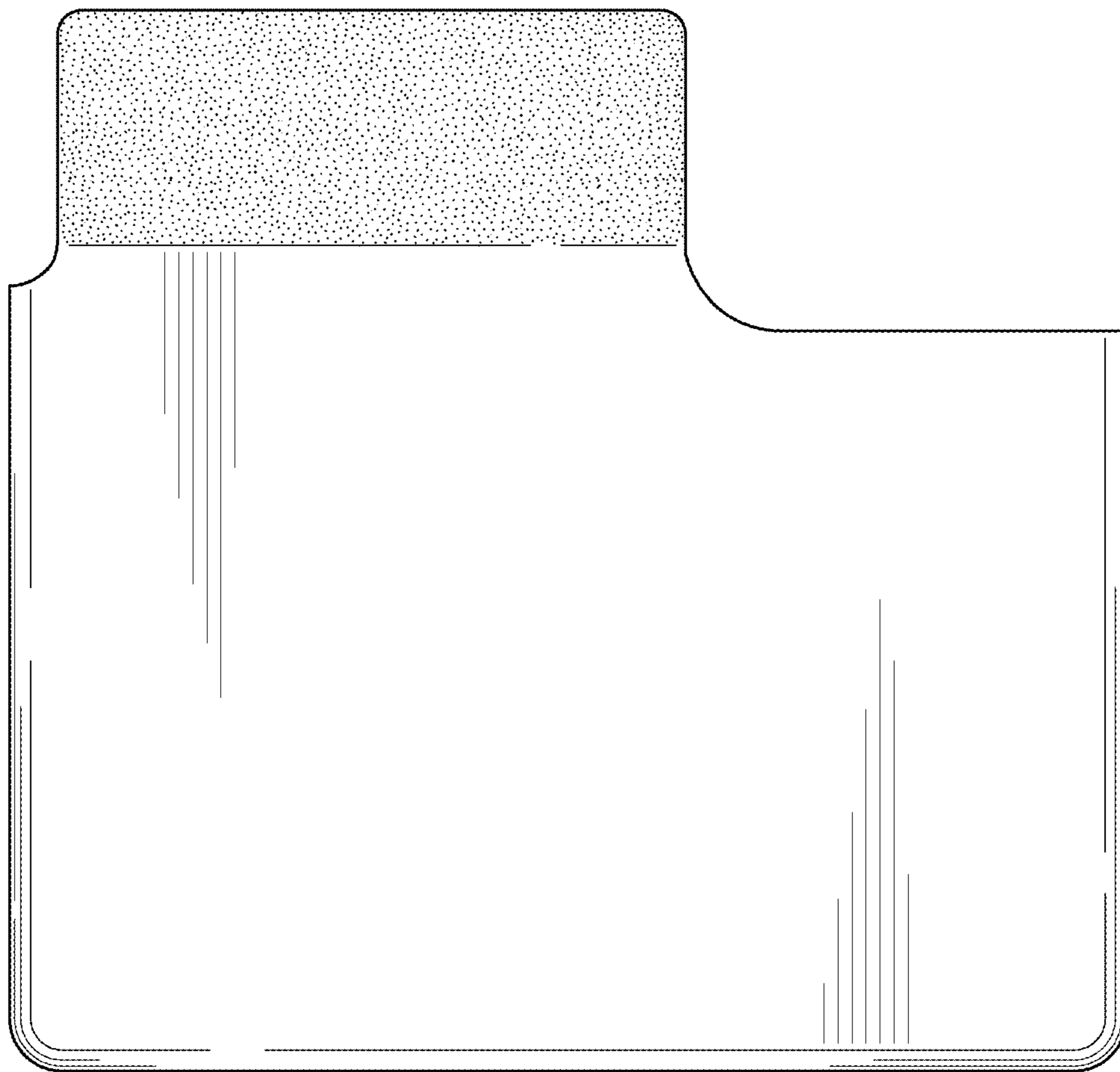


FIG. 26



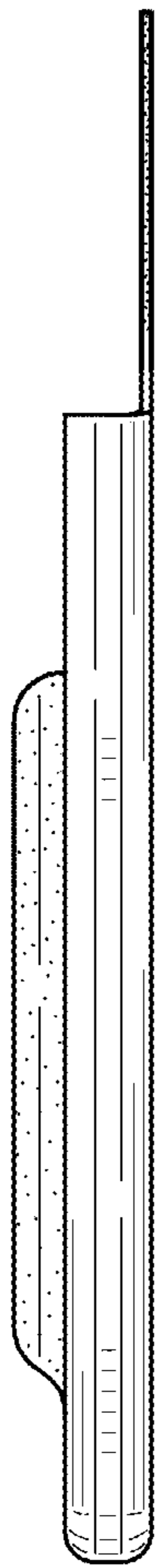


FIG. 27

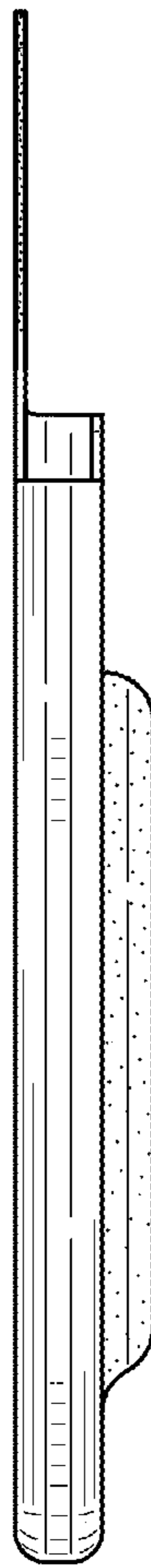


FIG. 28

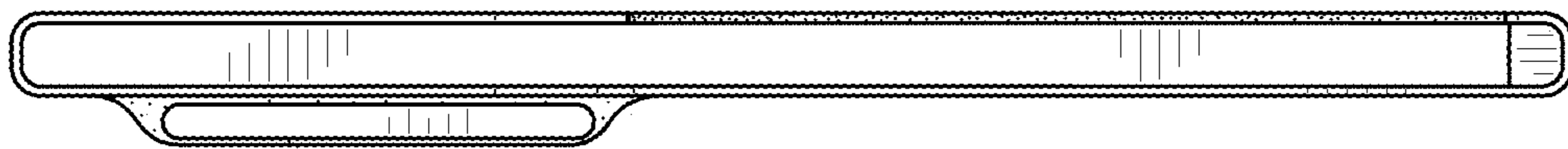


FIG. 29

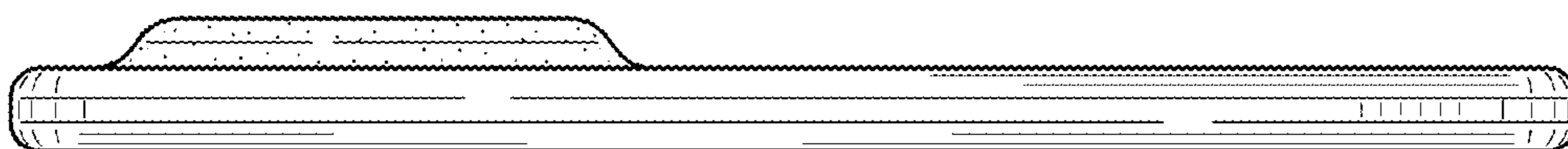


FIG. 30

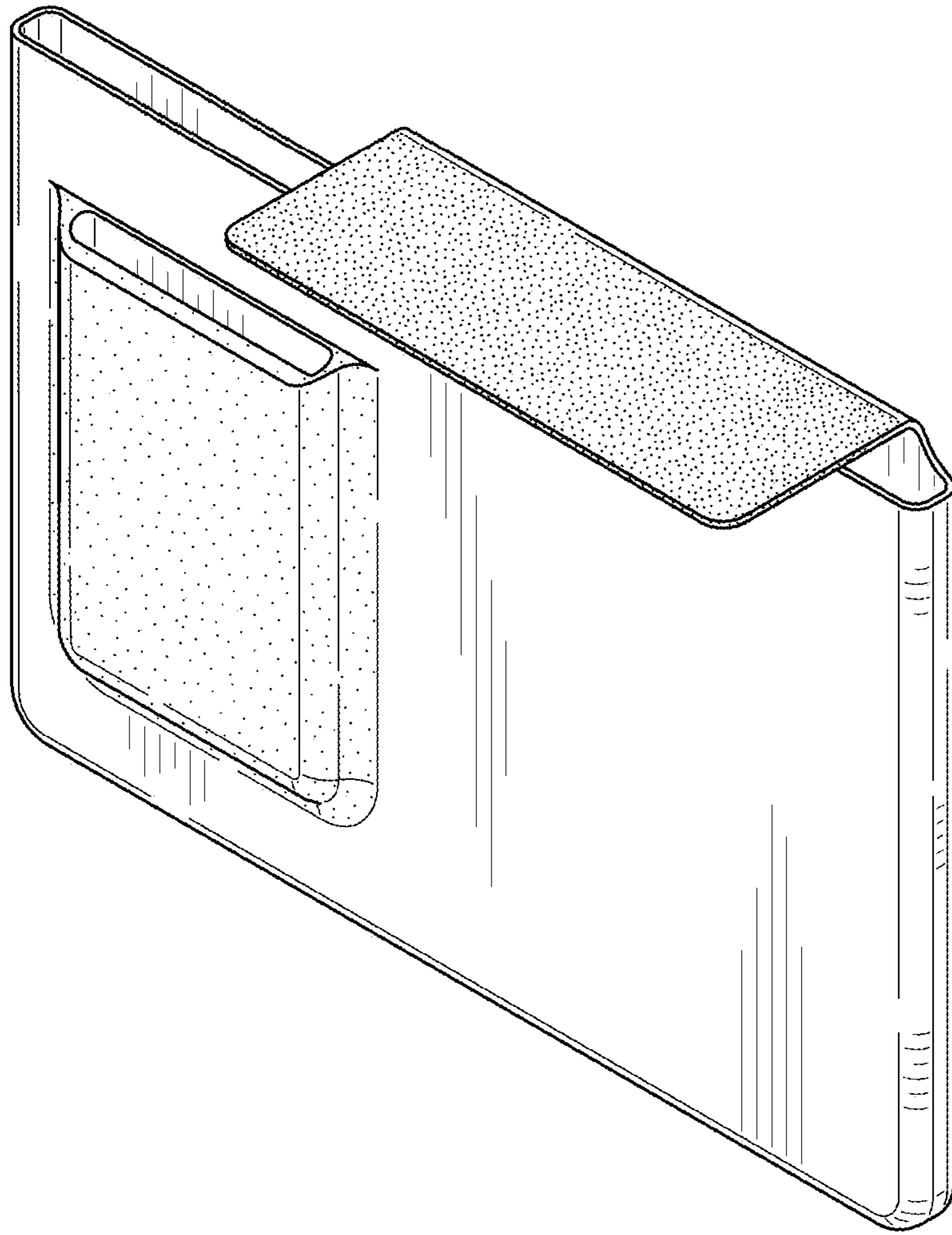


FIG. 31