



US00D752593S

(12) **United States Design Patent**
Diebel

(10) **Patent No.:** **US D752,593 S**
(45) **Date of Patent:** **** Mar. 29, 2016**

(54) **COVER FOR ELECTRONIC TABLET**

(71) Applicant: **Incase Designs Corp.**, Chino, CA (US)

(72) Inventor: **Markus Diebel**, San Francisco, CA (US)

(73) Assignee: **Incase Designs Corp.**, Chino, CA (US)

(**) Term: **14 Years**

(21) Appl. No.: **29/469,237**

(22) Filed: **Oct. 8, 2013**

Related U.S. Application Data

(63) Continuation of application No. 29/419,050, filed on Apr. 24, 2012, now Pat. No. Des. 691,142, which is a continuation of application No. 29/387,775, filed on Mar. 17, 2011, now Pat. No. Des. 658,187.

(51) **LOC (10) Cl.** **14-02**

(52) **U.S. Cl.**

USPC **D14/440**

(58) **Field of Classification Search**

USPC D14/439, 440, 345, 341-344, 346, 371, D14/125-129, 327, 248; 206/320, 576, 305, 206/215, 232, 524, 425, 472, 224, 312, 206/387.13, 307, 387.1, 756, 45.2-45.34, 206/764, 765; D3/286, 283, 295, 273, 303, D3/247, 215, 245, 232, 900, 249, 201, 276, D3/294, 301, 319, 203.1, 323, 227; 224/929; 708/110; 190/109, 100, 119, 190/901; 361/683, 725, 681, 686, 679, 361/679.01; 229/87.5, 67.1, 800; 220/522, 220/4.23; 345/169, 104, 156, 168, 173, 345/179, 672, 174; 150/147, 135; 402/2, 402/70-79, 500-502; 281/45, 38, 31, 29, 281/19.1, 34; D19/3, 26, 27, 33, 75, 86, 22, D19/90, 59, 60, 78, 83; D18/7, 17, 18; 383/97, 4, 110; 178/18.03, 18.01; 349/12; 428/332; D6/632, 407, 596, D6/601, 310, 611, 502, 583, 582, 595; 248/458-460; D13/102, 184; D20/18, D20/27, 42; 40/654.01, 536; D15/122; D21/480, 690; D25/48; D12/401, 182,

D12/203, 400, 191; D24/205, 206, 200, D24/188, 207, 212, 215; 280/808; 112/420; 5/420; 604/308; 601/15, 108, 112, 60, 601/64, 70, 71; 160/370.23, 370.21; D7/629, 392.1; D28/7, 8, 83, 84, 82; 15/118; D32/40; 424/443; 442/123; D23/304; D9/435

CPC G06F 1/00; G06F 1/16; G06F 1/1601; G06F 1/1603; G06F 1/1607; G06F 1/1611; G06F 1/1613; G06F 1/1616; G06F 1/1618; G06F 1/162; G06F 1/1622; G06F 1/1626; G06F 1/1632; G06F 1/1637; G06F 1/1628; A45C 11/00; A45C 13/005; A45C 5/02; A45C 2011/003; A45C 2013/025; A45C 2200/15; Y10T 29/49826; Y10T 29/49002

See application file for complete search history.

(56) **References Cited**

U.S. PATENT DOCUMENTS

144,315 A 11/1873 Cooper
640,534 A * 1/1900 Cheney A61F 7/02
165/46

(Continued)

OTHER PUBLICATIONS

Apple Smart Cover Product, Mar. 2, 2011, 36 pages.

(Continued)

Primary Examiner — Susan Moon Lee

(74) *Attorney, Agent, or Firm* — Aka Chan LLP

(57) **CLAIM**

The ornamental design for a cover for electronic tablet, as shown and described.

DESCRIPTION

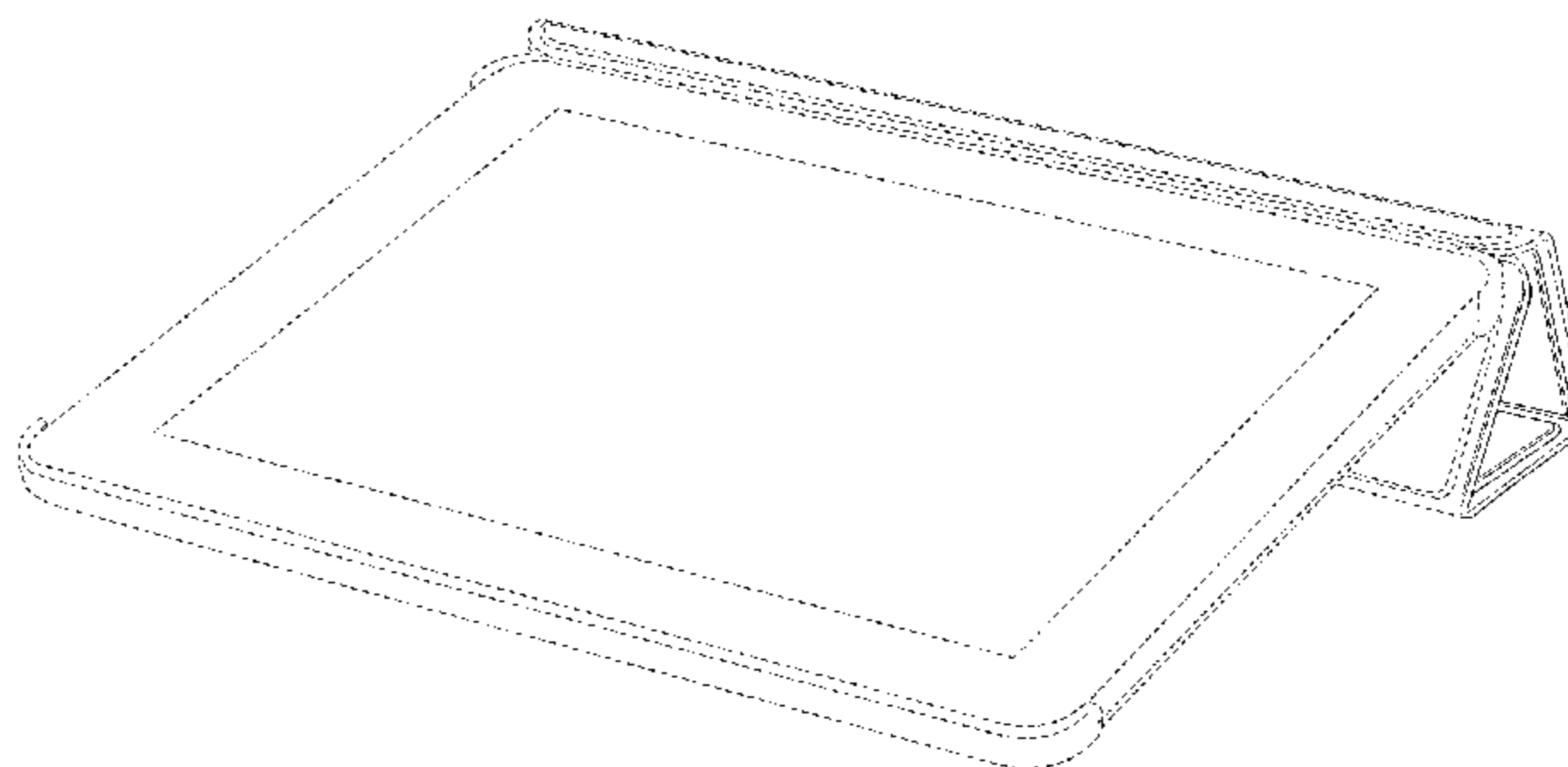
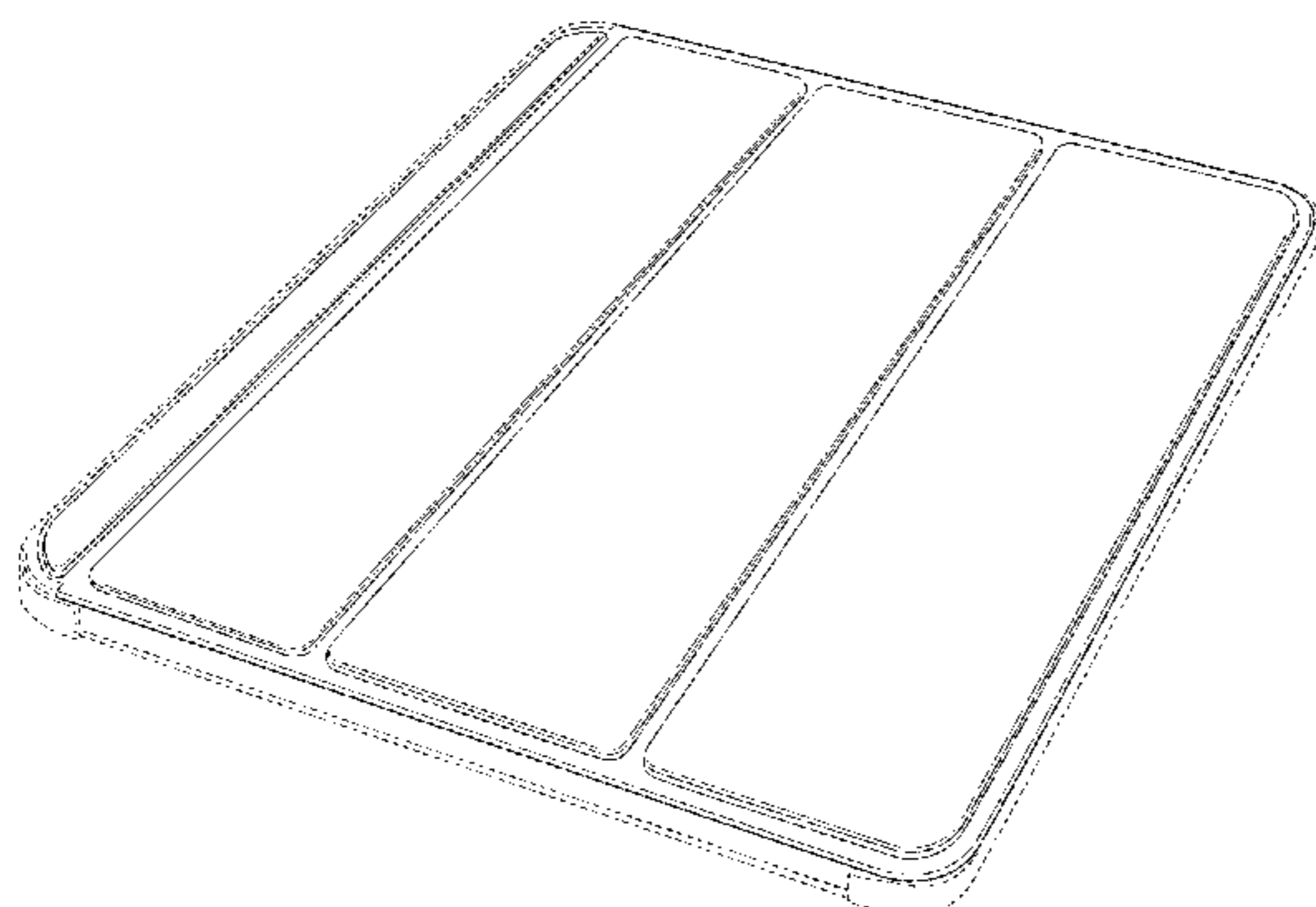
FIG. 1 shows a perspective view of a design for a cover for electronic tablet.

FIG. 2 shows a front view of the design; and,

FIG. 3 shows a perspective view of the design folded into a stand for the electronic tablet.

The broken-line features in the figures are for illustrative purposes only and form no part of the claimed design. Portions of the design from broken line to broken line, from broken line to solid line, and from broken line to dash-dot line are not part of the claimed design. An interior of the cover is not part of the claimed design.

1 Claim, 3 Drawing Sheets



US D752,593 S

(56)

References Cited

U.S. PATENT DOCUMENTS

1,347,839 A	7/1920	Coons		4,854,319 A *	8/1989	Tobin	A61F 7/10 2/171.2
1,356,593 A	10/1920	Bettiker		4,877,074 A *	10/1989	Castellano	B60J 1/2091 160/370.23
1,659,395 A	2/1928	Douglas		4,880,327 A *	11/1989	Sanabria	A47B 23/043 281/33
1,955,040 A	4/1934	Wittcoff		D306,850 S	3/1990	Beedy	
D104,699 S	5/1937	Pilliod		D308,760 S	6/1990	King	
D123,984 S	12/1940	Pichel		D310,987 S	10/1990	Law	
2,279,164 A	4/1942	Gettleman		D311,688 S *	10/1990	Hodge	D9/435
D137,864 S	5/1944	Jolles		D312,130 S	11/1990	Jones	
D164,628 S	9/1951	Davis		D312,214 S	11/1990	Hodge	
2,596,292 A	5/1952	Sackner		4,969,683 A *	11/1990	Wallace	B60N 2/6027 297/219.1
D167,065 S	6/1952	Bohanan		D312,835 S	12/1990	Holm	
D167,743 S	9/1952	Dofrman		D313,964 S	1/1991	Fuller	
2,631,046 A	3/1953	Stephens		4,981,386 A *	1/1991	Beleckis	B42D 3/123 281/33
2,675,807 A	4/1954	Pursel		5,000,319 A	3/1991	Mermelstein	
2,738,834 A	3/1956	Jaffe et al.		5,005,374 A *	4/1991	Spitler	A41D 13/0055 2/171.2
2,834,703 A	5/1958	Atkinson		D317,329 S	6/1991	Annand	
2,834,970 A	5/1958	Nappe		D318,372 S	7/1991	Mackey	
2,983,431 A	5/1961	Turan		D319,016 S	8/1991	Kahl	
3,015,834 A	1/1962	Marrinson		D320,274 S	9/1991	Douglas	
D192,953 S	5/1962	Zelony		5,044,030 A *	9/1991	Balaton	A47C 27/081 297/DIG. 3
3,061,844 A	11/1962	Coursey		D321,091 S	10/1991	Dickinson	
3,069,203 A	12/1962	Propus		D321,761 S	11/1991	Shimizu	
3,257,128 A	6/1966	Schneider		5,066,158 A	11/1991	Huang	
3,336,610 A	8/1967	Geddings		5,080,316 A *	1/1992	MacEwan	A47B 19/08 248/174
3,427,020 A	2/1969	Montour et al.		5,092,354 A	3/1992	Pacelli, Jr.	
3,459,179 A	8/1969	Olesen		D325,637 S	4/1992	O'Brien	
3,460,744 A	8/1969	Turkenkopf		D327,046 S	6/1992	Eskandry	
3,568,227 A	3/1971	Dunham		D329,747 S	9/1992	Embree	
3,587,578 A	6/1971	Walker		5,143,341 A *	9/1992	Juster	A47B 21/0314 248/118
D222,602 S	11/1971	Petrie		D331,191 S	11/1992	Ventola	
3,735,516 A	5/1973	Wenstrom		5,179,944 A	1/1993	McSymyzt	
3,758,065 A	9/1973	Ranseen		5,228,655 A *	7/1993	Garcia	A47B 21/0371 248/118
3,769,741 A *	11/1973	Hessler	A01K 97/06 206/315.11	D341,373 S	11/1993	Stern	
3,797,146 A	3/1974	Holes		D342,790 S *	12/1993	Zona	D24/207
D232,825 S	9/1974	Gerber		D344,590 S *	2/1994	Greene	D24/206
3,900,035 A	8/1975	Welch et al.		D345,014 S	3/1994	Huffman	
3,970,332 A	7/1976	Alford, Jr.		5,333,336 A *	8/1994	Langsam	A47C 3/38 297/DIG. 3
D245,458 S	8/1977	Hauss		D352,357 S	11/1994	Ashley	
4,044,942 A	8/1977	Sherwood		5,377,794 A *	1/1995	Book	A45C 9/00 190/1
D251,082 S	2/1979	Petrie		D356,120 S	3/1995	Allen	
4,197,342 A *	4/1980	Bethe	B32B 3/30 297/452.26	5,431,449 A	7/1995	Arimoto	
D255,523 S	6/1980	Yarabinec		D360,778 S	8/1995	Apt, III	
D255,524 S	6/1980	Yarabinec		5,439,101 A	8/1995	Brink et al.	
D258,723 S	3/1981	Cornou		D362,578 S *	9/1995	Ackley	D6/596
4,310,117 A	1/1982	Gullett		5,450,858 A	9/1995	Zablotsky	
D268,696 S *	4/1983	Bowen	D24/207	D364,191 S	11/1995	Allen	
4,389,742 A *	6/1983	DeWitt	A47C 7/021 5/564	5,480,192 A	1/1996	Angerbauer	
D274,493 S	7/1984	Dyby		5,487,566 A	1/1996	Hedge, Jr.	
D275,153 S	8/1984	Weinreb		D369,998 S	5/1996	Eskandry	
4,520,958 A	6/1985	Jones		D370,177 S	5/1996	Bankier	
4,566,720 A	1/1986	Goldman		D370,650 S	6/1996	Eskandry	
D283,231 S	4/1986	Bradenburger		D371,929 S *	7/1996	Nilsson	D6/603
4,586,506 A *	5/1986	Nangle	A61F 7/02 128/DIG. 15	5,566,871 A	10/1996	Weintraub	
4,592,358 A	6/1986	Westplate		5,653,195 A *	8/1997	Young	A01K 1/0157 119/28.5
4,621,729 A	11/1986	Jackson		D383,213 S	9/1997	Ingram	
4,629,070 A	12/1986	Roberg		D389,509 S	1/1998	Yasoshima	
4,630,863 A *	12/1986	Roberts	A47C 27/001 297/219.1	D389,646 S	1/1998	Sankey	
4,643,544 A	2/1987	Loughran		D390,007 S	2/1998	Ahern, Jr.	
D290,654 S *	6/1987	Ohnishi	601/46	D391,298 S	2/1998	Johnson	
4,671,334 A	6/1987	Yadegar		5,722,628 A *	3/1998	Menaged	A47B 23/043 211/50
D290,918 S *	7/1987	Ball	D24/206	D405,200 S	2/1999	Hines	
4,679,848 A *	7/1987	Spierings	A47C 7/425 297/230.14	D406,463 S	3/1999	Rutledge	
4,693,495 A	9/1987	LaPointe		5,887,723 A	3/1999	Myles et al.	
D293,428 S	12/1987	Watts		5,902,256 A	5/1999	Benaron	
D296,006 S	5/1988	Asche		D411,353 S	6/1999	Dickinson	
D297,228 S	8/1988	Harpaz					
4,787,766 A	11/1988	Lorsch					
4,824,171 A *	4/1989	Hollingsworth	A47C 4/52 297/351				

(56)

References Cited

U.S. PATENT DOCUMENTS

5,911,657	A *	6/1999	Meiners	A47C 4/54 5/655.3	D584,612	S	1/2009	Ianello	
5,996,778	A	12/1999	Shih		D584,911	S *	1/2009	Hisey	D21/803
D418,867	S	1/2000	Platte, III		D587,797	S	3/2009	Blanchard	
6,058,535	A *	5/2000	Firkins, Jr.	A47C 7/021 297/219.1	D587,812	S	3/2009	Uchiyama	
6,058,536	A *	5/2000	Henry	A47C 27/12 5/691	D592,402	S	5/2009	Ahlgrim	
6,122,785	A	9/2000	Bondie		7,537,192	B2 *	5/2009	Al-Haleem	A47B 23/044 248/454
D432,477	S	10/2000	Gorodetsky		D596,305	S	7/2009	Usui	
D435,171	S	12/2000	Anderson		D597,302	S	8/2009	Adams	
D436,179	S	1/2001	Small		D599,286	S	9/2009	Horito	
D442,321	S	5/2001	Cheng		D599,484	S	9/2009	Gray	
D445,744	S	7/2001	Hsing		D599,761	S	9/2009	Birsel	
D446,982	S	8/2001	Block		D599,959	S	9/2009	Washington	
6,289,968	B1	9/2001	Karten		D600,699	S	9/2009	Johnston et al.	
D449,927	S	11/2001	Dorizas		7,584,841	B2	9/2009	Chan et al.	
6,427,371	B2	8/2002	Olson		D601,369	S	10/2009	Mock	
6,493,969	B2	12/2002	Devos		D602,598	S	10/2009	Yim	
D468,868	S	1/2003	Thorpe		D603,906	S	11/2009	Miller	
6,527,330	B1	3/2003	Steffens		D604,463	S *	11/2009	Pittman	D30/118
D473,939	S	4/2003	Hantke		D604,727	S	11/2009	Chu	
D473,940	S	4/2003	Hantke		D605,940	S	12/2009	Lin	
6,539,653	B1	4/2003	Finke		D606,119	S	12/2009	Miller	
6,568,005	B2	5/2003	Fleming		D606,120	S	12/2009	Miller	
D480,971	S	10/2003	Deluca		D606,121	S	12/2009	Miller	
6,634,691	B2	10/2003	Henderson		D607,253	S	1/2010	McCammon	
D484,736	S	1/2004	Sarnoff		7,643,274	B2	1/2010	Bekele	
D487,521	S	3/2004	Link		D609,358	S *	2/2010	Yim	D24/206
D487,551	S	3/2004	Lee		D609,360	S	2/2010	Yim	
6,702,359	B2	3/2004	Armstrong		D609,912	S	2/2010	Kyono	
6,763,942	B1	7/2004	Yeh		D613,062	S	4/2010	Romero	
D494,469	S	8/2004	Solowiejko		D613,982	S	4/2010	Wilson	
6,772,879	B1	8/2004	Domotor		D616,930	S	6/2010	Engel	
D496,322	S	9/2004	Farney		7,735,644	B2	6/2010	Sirichai et al.	
D498,308	S	11/2004	Mock		D620,122	S	7/2010	Cotton	
6,829,140	B2 *	12/2004	Shimano	G06F 1/162 248/919	D620,877	S	8/2010	Rusher	
D505,041	S	5/2005	Lesosky		D622,061	S	8/2010	Higginson	
D511,838	S	11/2005	Vedra		D623,940	S	9/2010	Ianello	
D521,553	S	5/2006	Sterman		D624,615	S	9/2010	Kusmierz	
7,036,162	B1 *	5/2006	Gatten	A47C 21/04 5/420	7,799,063	B2 *	9/2010	Ingram	A61F 7/02 607/104
7,037,021	B2	5/2006	Raschke		D627,078	S	11/2010	Matsuo	
7,038,909	B1 *	5/2006	Chen	G06F 1/203 361/679.48	D627,117	S	11/2010	Hale	
7,065,814	B2 *	6/2006	Rutkowski	A47D 5/006 128/876	D627,775	S	11/2010	Li	
D527,535	S	9/2006	Sturba		D628,004	S	11/2010	Moorefield	
D528,707	S *	9/2006	Deioma	D30/118	D628,132	S	11/2010	Grzyb	
D538,096	S	3/2007	Bartell		D628,197	S	11/2010	Li	
D538,575	S	3/2007	Bartell		D628,705	S	12/2010	Usui	
D544,922	S	6/2007	Shaffer		D628,706	S	12/2010	Usui	
D548,782	S	8/2007	Nash		D629,195	S *	12/2010	Jusic	D3/273
D550,137	S	9/2007	Kraines		D629,914	S	12/2010	Hunter	
D551,265	S	9/2007	Brinson		D631,912	S	2/2011	Epstein	
D553,410	S	10/2007	Kramer		D632,660	S	2/2011	Donowho	
D557,347	S	12/2007	Nishimoto		D633,388	S	3/2011	Andre	
7,318,521	B2	1/2008	Lau		D633,673	S	3/2011	McKnight	
7,322,063	B2	1/2008	Esimai		D633,879	S	3/2011	Heng	
D560,947	S *	2/2008	Kreucher	D6/601	D635,135	S	3/2011	Li	
D564,223	S	3/2008	Messineo		D635,564	S	4/2011	Li	
D565,196	S	3/2008	Mock		D637,399	S	5/2011	Romero	
D566,111	S	4/2008	Nakagawa		D638,526	S	5/2011	Newman	
D572,709	S	7/2008	Nakagawa		D638,627	S	5/2011	Romero	
D574,962	S	8/2008	Atkins		D640,089	S	6/2011	Green	
7,435,103	B2	10/2008	Ma		D641,720	S	7/2011	Heng	
D581,857	S	12/2008	Bogard		7,980,526	B2 *	7/2011	Lord	A47B 21/0314 108/1
D581,859	S	12/2008	Bogard		8,042,241	B2 *	10/2011	McConnell	B60N 2/28 29/99.1
D581,865	S	12/2008	Koza		8,070,220	B2 *	12/2011	Reeb	A47C 7/66 135/95
D582,047	S	12/2008	Yim		D656,235	S *	3/2012	Howell	D24/207
D582,475	S	12/2008	Guest		8,138,869	B1 *	3/2012	Lauder	G06F 1/1613 24/303
D583,479	S	12/2008	Yim		8,143,982	B1 *	3/2012	Lauder	G06F 1/1626 206/320
D583,959	S	12/2008	Yim		D657,832	S *	4/2012	Beber	D21/683
D584,141	S	1/2009	Smith		D658,186	S *	4/2012	Akana	D14/440
					D658,187	S *	4/2012	Diebel	D14/440
					D658,188	S *	4/2012	Diebel	D14/440
					D663,304	S *	7/2012	Akana	D14/440

(56)

References Cited

U.S. PATENT DOCUMENTS

8,253,518 B2 *	8/2012	Lauder	G06F 1/1647 206/320	8,695,150 B1 *	4/2014	Cooper	A45C 13/00 15/209.1
8,282,065 B1 *	10/2012	Stone	A47B 23/044 16/221	D705,227 S *	5/2014	Groene	D14/392
D671,886 S *	12/2012	Schacht	D13/102	D705,783 S *	5/2014	Weng	D14/440
D671,948 S *	12/2012	Akana	D14/440	8,720,843 B1 *	5/2014	Chen	G06F 1/1613 206/305
D672,353 S *	12/2012	Liu	D14/440	8,724,300 B2 *	5/2014	Smith	G06F 1/1628 206/320
D672,781 S *	12/2012	Lu	D14/440	D706,270 S *	6/2014	Akana	D14/440
D673,158 S *	12/2012	Yang	D14/440	D707,229 S *	6/2014	Almodova	D14/440
8,344,836 B2 *	1/2013	Lauder	206/320	D707,683 S *	6/2014	Nam-Su	D14/440
D675,626 S *	2/2013	Williamson	D14/440	8,761,660 B2 *	6/2014	Libin	G09B 3/00 434/362
D676,050 S *	2/2013	Sanz	D14/440	D708,836 S *	7/2014	Lee	D14/440
D678,272 S *	3/2013	Groene	D14/341	D708,839 S *	7/2014	Lee	D14/440
D678,277 S *	3/2013	Groene	D14/391	D709,895 S *	7/2014	Son	D14/440
D678,300 S *	3/2013	Groene	D14/455	8,763,795 B1 *	7/2014	Oten	A45C 11/00 206/320
D678,881 S *	3/2013	Groene	D14/391	D710,859 S *	8/2014	Mecchella	D14/440
D678,882 S *	3/2013	Groene	D14/391	D711,887 S *	8/2014	Akana	D14/440
D679,279 S *	4/2013	Yang	D14/440	8,807,333 B1 *	8/2014	Cooper	A45C 11/00 206/320
D679,715 S *	4/2013	Akana	D14/440	D713,048 S *	9/2014	Ogaki	D24/200
D681,033 S *	4/2013	Chen	D14/345	D713,402 S *	9/2014	Akana	D14/341
D681,041 S *	4/2013	Phillips	D14/440	D713,847 S *	9/2014	Su	D14/440
D681,641 S *	5/2013	Van Den Nieuwenhuizen	D14/440	D713,848 S *	9/2014	Akana	D14/440
D682,836 S *	5/2013	Akana	D14/440	8,824,136 B1 *	9/2014	Interian, III	G06F 1/1632 345/168
D682,838 S *	5/2013	Akana	D14/440	D716,311 S *	10/2014	Bates	D14/440
D682,839 S *	5/2013	Sampson	D14/447	D716,783 S *	11/2014	Loncar	D14/250
D683,731 S *	6/2013	Chiu	D14/345	D718,086 S *	11/2014	Lewis	D7/391
D685,381 S *	7/2013	Symons	D14/447	D718,213 S *	11/2014	Shipman	D12/401
D685,803 S *	7/2013	Akana	D14/440	D718,214 S *	11/2014	Shipman	D12/401
D685,916 S *	7/2013	Hoglund	D24/206	D718,215 S *	11/2014	Shipman	D12/401
D686,627 S *	7/2013	Akana	D14/440	D718,216 S *	11/2014	Shipman	D12/401
8,474,609 B1 *	7/2013	Hong	A45C 11/00 206/320	8,884,730 B2 *	11/2014	Lauder	H01F 7/04 206/320
D687,438 S *	8/2013	Lu	D14/440	D718,768 S *	12/2014	Page	D14/345
D688,251 S *	8/2013	Akana	D14/440	D719,169 S *	12/2014	McBroom	D14/440
D688,669 S *	8/2013	Akana	D14/440	D719,956 S *	12/2014	Akana	D14/440
D689,498 S *	9/2013	Akana	D14/440	D720,355 S *	12/2014	Akana	D14/440
D689,501 S *	9/2013	Fong	D14/447	D720,733 S *	1/2015	Fathollahi	D14/250
D690,305 S *	9/2013	Wen	D14/440	D720,747 S *	1/2015	Kim	D14/345
8,538,479 B2 *	9/2013	Lee	H04M 1/0277 29/601	D720,748 S *	1/2015	Groene	D14/392
D690,702 S *	10/2013	Chung	D14/440	D720,756 S *	1/2015	Stavarakakis	D14/440
D691,123 S *	10/2013	Lay	D14/250	D721,080 S *	1/2015	Mecchella	D14/440
D691,142 S *	10/2013	Diebel	D14/440	D721,081 S *	1/2015	Hirst	D14/440
D691,143 S *	10/2013	Diebel	D14/440	D721,370 S *	1/2015	Barfoot	D14/400
D691,145 S *	10/2013	Nam-Su	D14/440	8,928,437 B2 *	1/2015	Lauder	G06F 1/1626 206/320
D691,611 S *	10/2013	Kirzinger	D14/440	D722,059 S *	2/2015	Hirst	D14/440
D691,805 S *	10/2013	Chang	D3/301	D723,037 S *	2/2015	Huang	D14/440
D692,237 S *	10/2013	Chang	D3/303	D723,040 S *	2/2015	Kang	D14/440
D692,432 S *	10/2013	Liu	D14/440	D723,041 S *	2/2015	Kim	D14/440
D692,433 S *	10/2013	Akana	D14/440	8,960,421 B1 *	2/2015	Diebel	G06F 1/00 206/320
D692,434 S *	10/2013	Kim	D14/440	D723,568 S *	3/2015	Kim	D14/440
8,567,578 B2 *	10/2013	Cuong	A45C 3/02 190/100	D723,569 S *	3/2015	Peng	D14/440
D692,902 S *	11/2013	Groene	D14/455	D724,090 S *	3/2015	Kim	D14/440
D693,821 S *	11/2013	Bates	D14/440	D724,095 S *	3/2015	Kim	D14/440
D693,822 S *	11/2013	Bates	D14/440	D724,594 S *	3/2015	Venida	D14/440
D693,823 S *	11/2013	Chen	D14/440	D725,116 S *	3/2015	Li	D14/440
D694,245 S *	11/2013	Sanz	D14/440	D725,118 S *	3/2015	Hong	D14/440
D694,523 S *	12/2013	Chiang	D3/303	D725,659 S *	3/2015	Tussy	D14/440
D695,296 S *	12/2013	Hsu	D14/440	D726,191 S *	4/2015	Tseng	D14/440
D696,253 S *	12/2013	Akana	D14/345	D726,192 S *	4/2015	Massucco	D14/440
D696,254 S *	12/2013	Groene	D14/341	D726,193 S *	4/2015	Kim	D14/440
D696,256 S *	12/2013	Piedra	D14/440	D726,730 S *	4/2015	Mahmood	D14/440
D696,262 S *	12/2013	Groene	D14/455	D726,731 S *	4/2015	Kim	D14/440
D696,669 S *	12/2013	Akana	D14/440	D727,915 S *	4/2015	Mecchella	D14/440
D696,865 S *	1/2014	Morszeck	D3/301	D727,916 S *	4/2015	Melmon	D14/440
D697,512 S *	1/2014	Akana	D14/440	D727,919 S *	4/2015	Melmon	D14/440
D699,054 S *	2/2014	Forlin	D6/610	D728,579 S *	5/2015	Mecchella	D14/440
D699,244 S *	2/2014	Buckley	D14/440	D729,253 S *	5/2015	Nyholm	D14/440
D700,611 S *	3/2014	Boldetti	D14/440	D729,810 S *	5/2015	Klusener	D14/440
D701,210 S *	3/2014	Bates	D14/440	D730,362 S *	5/2015	Akana	D14/440
D701,488 S *	3/2014	Lim	D13/102	D730,913 S *	6/2015	Shao	D14/440
D703,209 S *	4/2014	Marcus	D14/440	D731,485 S *	6/2015	Kim	D14/392
				D731,486 S *	6/2015	Kim	D14/392

(56)

References Cited

U.S. PATENT DOCUMENTS

D731,494 S *	6/2015	Barfoot	D14/440	2012/0205277 A1 *	8/2012	Chang	A45C 11/00 206/472
D731,495 S *	6/2015	Hassett	D14/440	2012/0268891 A1 *	10/2012	Cencioni	G06F 1/1626 361/679.55
D732,044 S *	6/2015	Longo	D14/440	2012/0287565 A1 *	11/2012	Bennett, Jr.	A45C 11/00 361/679.01
D732,542 S *	6/2015	Hassett	D14/440	2012/0293953 A1 *	11/2012	Wu	F16M 11/10 361/679.56
D733,150 S *	6/2015	Sirichai	D14/440	2012/0305413 A1 *	12/2012	Chung	A45C 11/00 206/45.23
D733,151 S *	6/2015	Brierley	D14/440	2012/0325689 A1 *	12/2012	Wibby	A47B 23/043 206/45.2
D733,152 S *	6/2015	Sirichai	D14/440	2012/0325838 A1 *	12/2012	Huang	G06F 1/1628 220/810
D733,153 S *	6/2015	Longo	D14/440	2013/0016467 A1 *	1/2013	Ku	F16M 11/10 361/679.08
D733,154 S *	6/2015	Armstrong	D14/440	2013/0020216 A1 *	1/2013	Chiou	G06F 1/1626 206/320
9,049,911 B1 *	6/2015	Wood	A45C 11/00	2013/0043148 A1 *	2/2013	Chen	G06F 1/1626 206/45.23
D734,340 S *	7/2015	Kim	D14/440	2013/0048517 A1 *	2/2013	Mecchella	A45C 11/00 206/216
D734,760 S *	7/2015	Brunner	D14/440	2013/0048520 A1 *	2/2013	Garrett	A45F 5/00 206/320
D734,761 S *	7/2015	Ballou	D14/440	2013/0058065 A1 *	3/2013	Minaguchi	H04N 5/64 361/807
D735,205 S *	7/2015	Akana	D14/440	2013/0075280 A1 *	3/2013	Besner	G06F 1/1626 206/45.23
9,086,844 B2 *	7/2015	Blue	G06F 1/1626	2013/0076614 A1 *	3/2013	Ive	G06F 1/1677 345/156
D737,276 S *	8/2015	Armstrong	D14/440	2013/0083465 A1 *	4/2013	Motoishi	G06F 1/1613 361/679.21
9,095,194 B2 *	8/2015	Hassett	A45C 11/00	2013/0088431 A1 *	4/2013	Ballagas	G06F 1/1626 345/168
9,110,630 B2 *	8/2015	Cakir	H04B 1/3888	2013/0093304 A1 *	4/2013	Childs	A45C 11/00 312/240
D737,827 S *	9/2015	Tseng	D14/440	2013/0099636 A1 *	4/2013	Igarashi	H05K 5/03 312/223.1
D740,292 S *	10/2015	Akana	D14/440	2013/0127308 A1 *	5/2013	Yang	A45C 11/00 312/223.1
D740,882 S *	10/2015	Poon	D19/26	2013/0134061 A1 *	5/2013	Wu	G06F 1/1626 206/320
D741,867 S *	10/2015	Liu	D14/440	2013/0140194 A1 *	6/2013	Han	G06F 1/1656 206/45.23
2002/0162935 A1 *	11/2002	Hardy	A47B 23/044 248/460	2013/0140203 A1 *	6/2013	Chiang	G06F 1/1628 206/320
2003/0104036 A1	6/2003	Gregoire		2013/0146482 A1 *	6/2013	Huang	A47B 23/043 206/45.23
2003/0121116 A1 *	7/2003	Keck	A47L 13/16 15/104.94	2013/0199960 A1 *	8/2013	Chen	G06F 1/1628 206/521
2005/0001021 A1	1/2005	Hutchinson		2013/0233732 A1 *	9/2013	Hsu	H05K 5/03 206/45.24
2005/0021114 A1	1/2005	Hidaka		2013/0233762 A1 *	9/2013	Balaji	G06F 1/16 206/736
2005/0246851 A1	11/2005	Cline		2013/0241381 A1 *	9/2013	Hynecek	H05K 5/0217 312/240
2006/0285283 A1 *	12/2006	Simonian	A45C 3/02 361/679.55	2013/0242490 A1 *	9/2013	Ku	G06F 1/1628 361/679.3
2007/0110495 A1 *	5/2007	Willat	B25G 1/10 401/6	2013/0258586 A1 *	10/2013	Shao	A45C 11/00 361/679.55
2007/0182152 A1 *	8/2007	David	B42F 21/06 281/15.1	2013/0271373 A1 *	10/2013	Milhe	G06F 1/1677 345/168
2008/0061207 A1 *	3/2008	Panziera	A47B 23/002 248/346.01	2013/0277271 A1 *	10/2013	Toulotte	A45C 11/00 206/752
2008/0167095 A1	7/2008	Kim		2013/0279100 A1 *	10/2013	Fontana	G06F 1/1632 361/679.2
2009/0000169 A1	1/2009	Houssain		2013/0284613 A1 *	10/2013	Lee	A45C 11/00 206/45.2
2009/0017883 A1	1/2009	Lin		2013/0284614 A1 *	10/2013	Lee	G06F 1/1626 206/45.2
2009/0159763 A1	6/2009	Kim		2013/0284615 A1 *	10/2013	Lee	A45C 11/00 206/45.23
2009/0194209 A1	8/2009	De Filippis et al.		2013/0313142 A1 *	11/2013	Wen	A45C 11/00 206/320
2010/0122924 A1	5/2010	Andrews		2013/0328825 A1 *	12/2013	Brown	G06F 3/01 345/174
2010/0294909 A1	11/2010	Hauser et al.		2014/0028865 A1 *	1/2014	Ohtaka	H04N 5/23203 348/211.4
2011/0163642 A1 *	7/2011	Rohrbach	A45C 9/00 312/223.1				
2011/0227463 A1 *	9/2011	Hou	A45C 9/00 312/223.1				
2011/0266194 A1 *	11/2011	Bau	A45C 11/00 206/736				
2011/0290687 A1 *	12/2011	Han	A45C 3/02 206/320				
2011/0297566 A1 *	12/2011	Gallagher	F16M 11/105 206/320				
2011/0297581 A1 *	12/2011	Angel	F16M 13/04 206/736				
2012/0037285 A1 *	2/2012	Diebel	A45C 11/00 150/165				
2012/0043234 A1 *	2/2012	Westrup	A45C 3/02 206/320				
2012/0044638 A1 *	2/2012	Mongan	A45C 11/00 361/679.55				
2012/0068919 A1 *	3/2012	Lauder	G06F 1/1656 345/156				
2012/0088557 A1 *	4/2012	Liang	G06F 1/1628 455/575.1				
2012/0125809 A1 *	5/2012	Leung	A45C 11/00 206/736				
2012/0138494 A1 *	6/2012	Thomas	A45C 11/00 206/320				
2012/0181195 A1 *	7/2012	Lu	A45C 11/00 206/320				
2012/0194448 A1 *	8/2012	Rothkopf	A45C 13/002 345/173				

(56)

References Cited

U.S. PATENT DOCUMENTS

2014/0028903 A1* 1/2014 Ohtaka H04N 5/2252
348/373

2014/0029195 A1* 1/2014 Barnes G06F 1/1635
361/679.48

2014/0029197 A1* 1/2014 Hishinuma G06F 1/1613
361/679.55

2014/0036438 A1* 2/2014 Gioscia G06F 1/1628
361/679.55

2014/0061071 A1* 3/2014 Kim G06F 1/166
206/45.2

2014/0063735 A1* 3/2014 Lee F16M 13/00
361/679.56

2014/0071654 A1* 3/2014 Chien H01H 13/704
362/23.03

2014/0083883 A1* 3/2014 Elias G06F 1/1626
206/320

2014/0092008 A1* 4/2014 Hsu G06F 3/0227
345/156

2014/0102924 A1* 4/2014 Chang G06F 1/1633
206/320

2014/0131225 A1* 5/2014 Couch, III A45C 11/00
206/45.24

2014/0131251 A1* 5/2014 Westrup A45C 11/00
206/756

2014/0132133 A1* 5/2014 Chiou A45C 11/00
312/223.2

2014/0139989 A1* 5/2014 Mori G06F 1/1628
361/679.09

2014/0146455 A1* 5/2014 Abdelsamie G06F 1/1628
361/679.02

2014/0197048 A1* 7/2014 Napolitano H05K 5/0226
206/45.2

2014/0202889 A1* 7/2014 Kim A45C 11/00
206/45.23

2014/0202891 A1* 7/2014 Piatt A45C 13/34
206/45.24

2014/0202899 A1* 7/2014 Murchison H05K 5/0013
206/320

2014/0246340 A1* 9/2014 Jiang A45C 11/00
206/45.23

2014/0262853 A1* 9/2014 DeChant G06F 1/1628
206/45.2

2014/0267957 A1* 9/2014 Iwamoto H04N 5/64
349/12

2014/0274215 A1* 9/2014 Del Toro G06F 1/1628
455/566

2014/0284228 A1* 9/2014 Chiou G06F 1/1626
206/45.23

2014/0291174 A1* 10/2014 Chung G06F 1/1656
206/45.23

2014/0291175 A1* 10/2014 Chung G06F 1/1656
206/45.23

2014/0291177 A1* 10/2014 Ko G06F 1/1626
206/45.23

2015/0001105 A1* 1/2015 Nyholm A45C 11/00
206/45.2

2015/0041341 A1* 2/2015 Marshall A45C 11/00
206/45.2

2015/0065208 A1* 3/2015 Balaji H04M 1/04
455/575.8

2015/0151871 A1* 6/2015 Huang H05K 5/0086
206/45.23

2015/0151887 A1* 6/2015 Huang A45C 11/00
224/191

2015/0189781 A1* 7/2015 Klepar G06F 1/16
206/45.2

2015/0237979 A1* 8/2015 Huang A45C 11/00
206/45.25

2015/0263776 A1* 9/2015 Shyu H04B 1/3888
455/575.8

2015/0266610 A1* 9/2015 Melmon B65D 5/5206
206/45.23

2015/0280768 A1* 10/2015 Huang H04B 1/3888
455/575.8

2015/0282354 A1* 10/2015 Spollen A45C 11/00
206/45.2

OTHER PUBLICATIONS

Speck PixelSkin HD Wrap Product, Mar. 15, 2011, 4 pages.
 Speck CandyShell Wrap Product, Jan. 25, 2011, 10 pages.
 Apple iPad Case Product, Mar. 15, 2010, 12 pages.

* cited by examiner

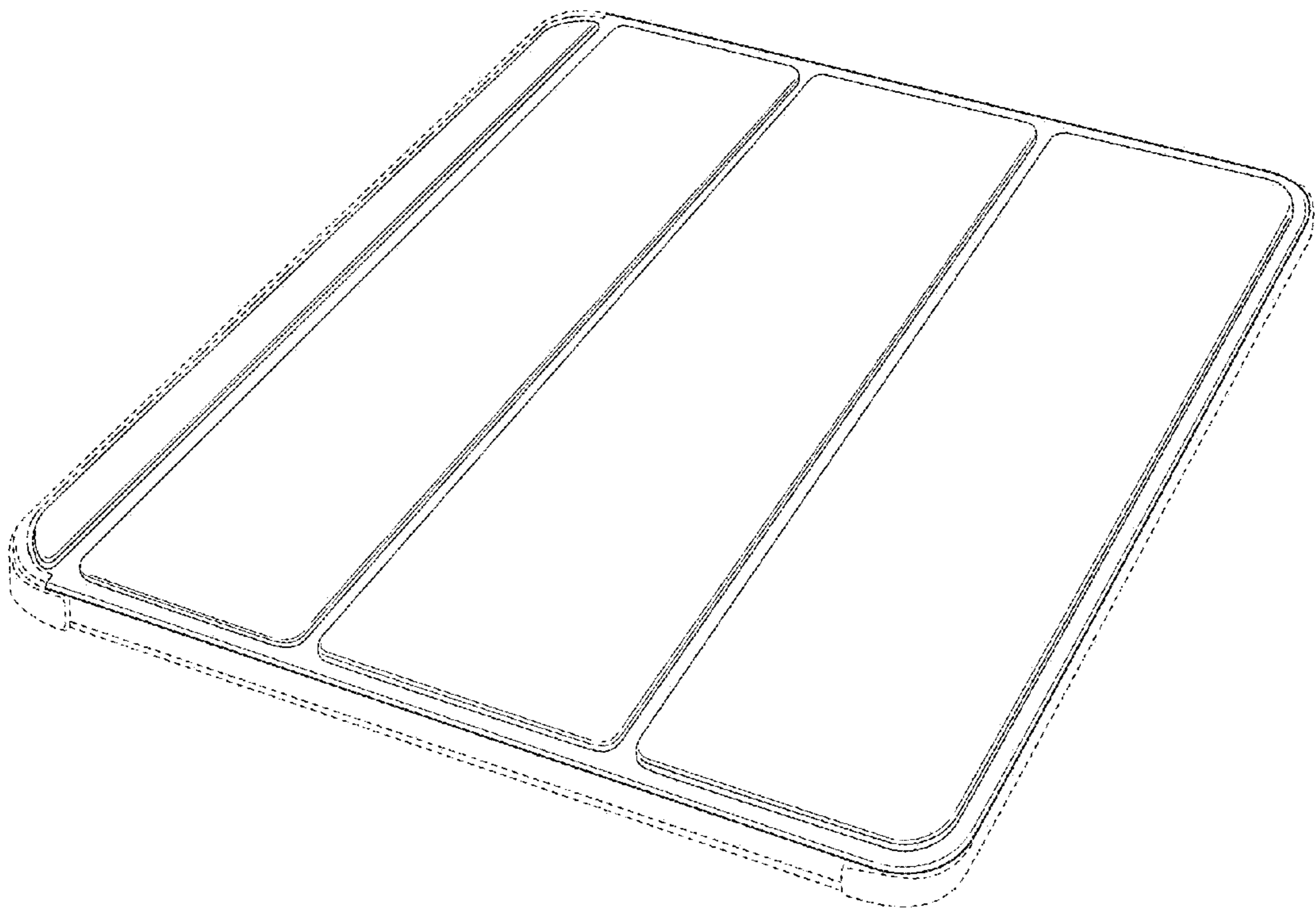


FIG. 1

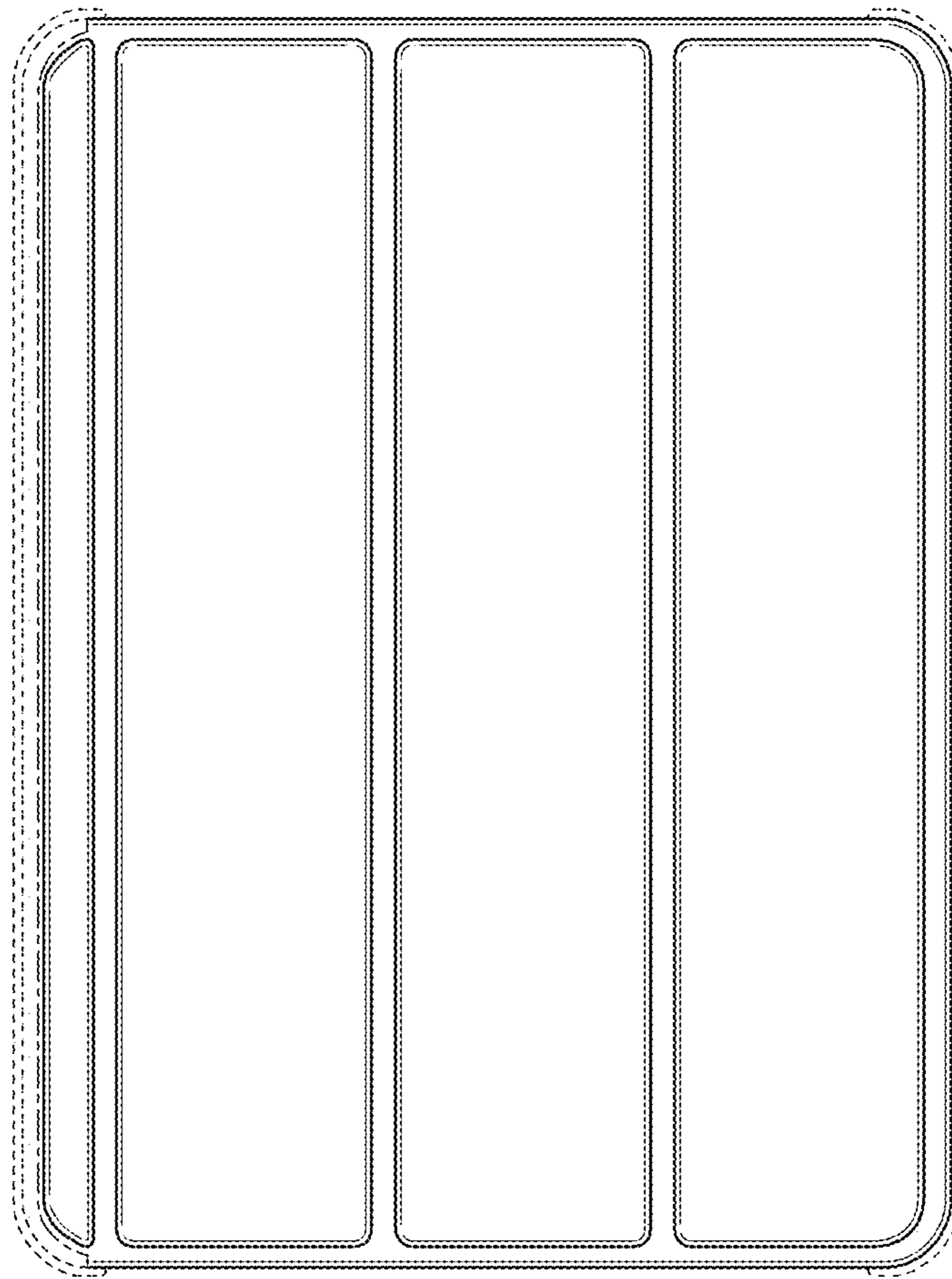


FIG. 2

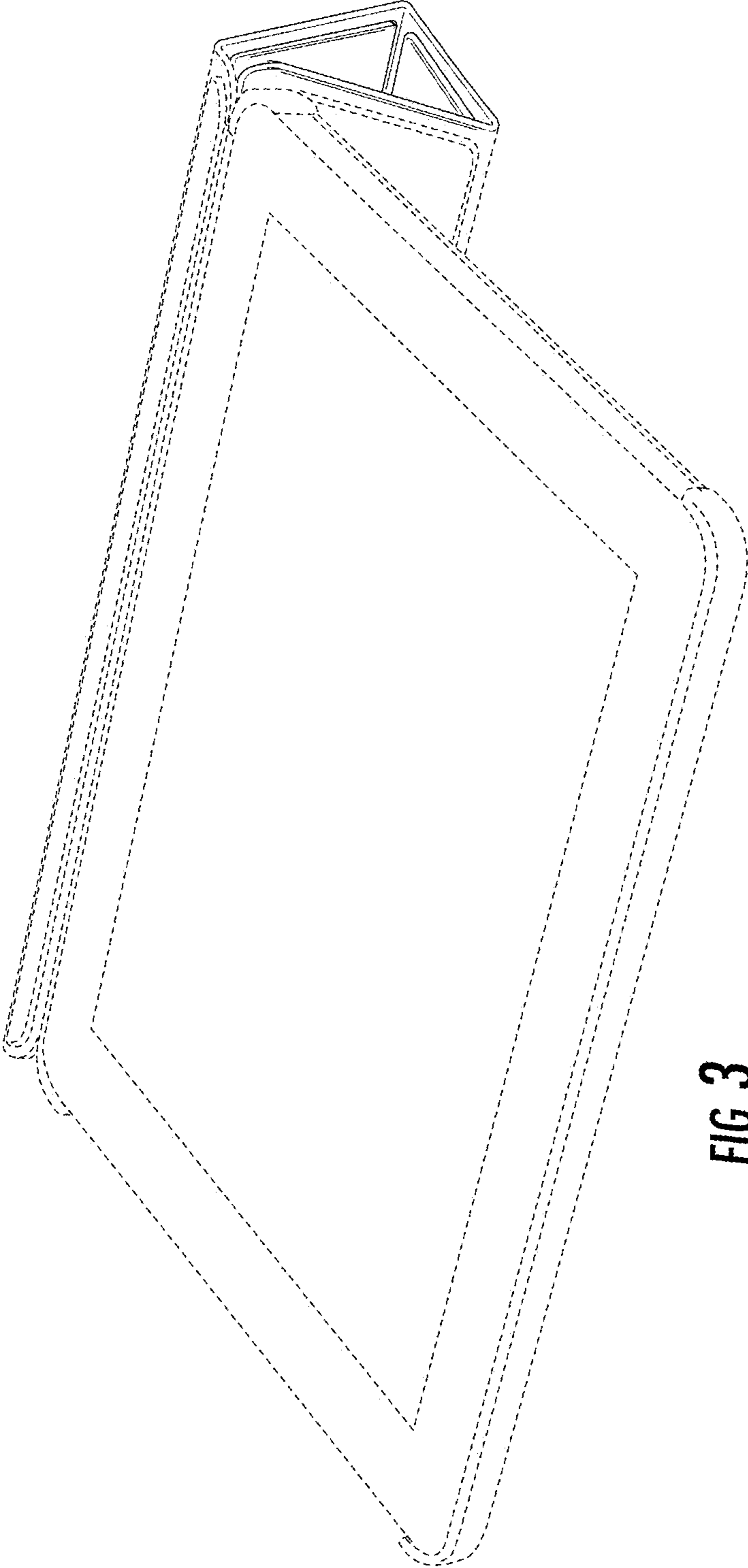


FIG. 3