



US00D752592S

(12) **United States Design Patent**
Ozolins et al.

(10) **Patent No.:** **US D752,592 S**
(45) **Date of Patent:** **** Mar. 29, 2016**

(54) **KEYBOARD AND DOCK FOR A KEYBOARD**

(71) Applicant: **BLOOMBERG FINANCE L.P.**, New York, NY (US)
(72) Inventors: **Helmars E. Ozolins**, Orient, NY (US); **Avram Kaufman**, New York, NY (US); **Adam Goldsmith**, Larchmont, NY (US); **Sean Roarty**, Ossining, NY (US); **Sigrid G. Moeslinger**, New York, NY (US); **Masamichi Udagawa**, New York, NY (US)

(73) Assignee: **Bloomberg Finance L.P.**, New York, NY (US)

(**) Term: **14 Years**

(21) Appl. No.: **29/511,921**

(22) Filed: **Dec. 15, 2014**

(51) **LOC (10) Cl.** **14-02**

(52) **U.S. Cl.**
USPC **D14/434; D14/455**

(58) **Field of Classification Search**
USPC D14/432-434, 314, 204, 420, 421, 447, D14/217, 358, 138 R, 140, 142, 253, 455, D14/391-399; D13/107, 108, 146; D8/373; 248/346.03, 176.1; 361/679.41, 361/679.31, 679.32, 679.4, 679.43, 679.55, 361/679.58, 679.33; 320/107, 109, 320/112-115; 710/15, 303; 455/557; 439/347, 534
CPC H02J 7/0042; H02J 7/00; H01R 31/065; H01M 10/44; F16M 11/10; G06F 1/1632

See application file for complete search history.

(56) **References Cited**

U.S. PATENT DOCUMENTS

D366,470 S *	1/1996	Youens	D14/434
6,999,008 B2 *	2/2006	Wang	G06F 1/1632 341/22
D567,240 S *	4/2008	Griffin	D14/392
D680,544 S *	4/2013	Akana	D14/391
D687,010 S *	7/2013	McManigal	D14/240
2007/0211579 A1 *	9/2007	Yoshimura	H04R 5/04 369/7

* cited by examiner

Primary Examiner — Freda S Nunn

(74) *Attorney, Agent, or Firm* — Chiesa Shahinian & Giantomasi PC

(57) **CLAIM**

The ornamental design for a keyboard and dock for a keyboard, as shown and described.

DESCRIPTION

FIG. 1 is a front perspective view of a keyboard and dock for a keyboard according to our design;
FIG. 2 is a front view thereof;
FIG. 3 is a top view thereof;
FIG. 4 is a rear view thereof;
FIG. 5 is a bottom view thereof;
FIG. 6 is a left side view thereof;
FIG. 7 is a right side view thereof;
FIG. 8 is a rear perspective view thereof;
FIG. 9 is a top view of a second embodiment thereof, the front, left side, right side, and bottom views are the same as those in the first embodiment;
FIG. 10 is a rear view thereof; and,
FIG. 11 is a rear perspective view thereof.
Broken lines shown in the drawings illustrate portions of the keyboard and dock for a keyboard and form no part of the claimed design.

1 Claim, 6 Drawing Sheets

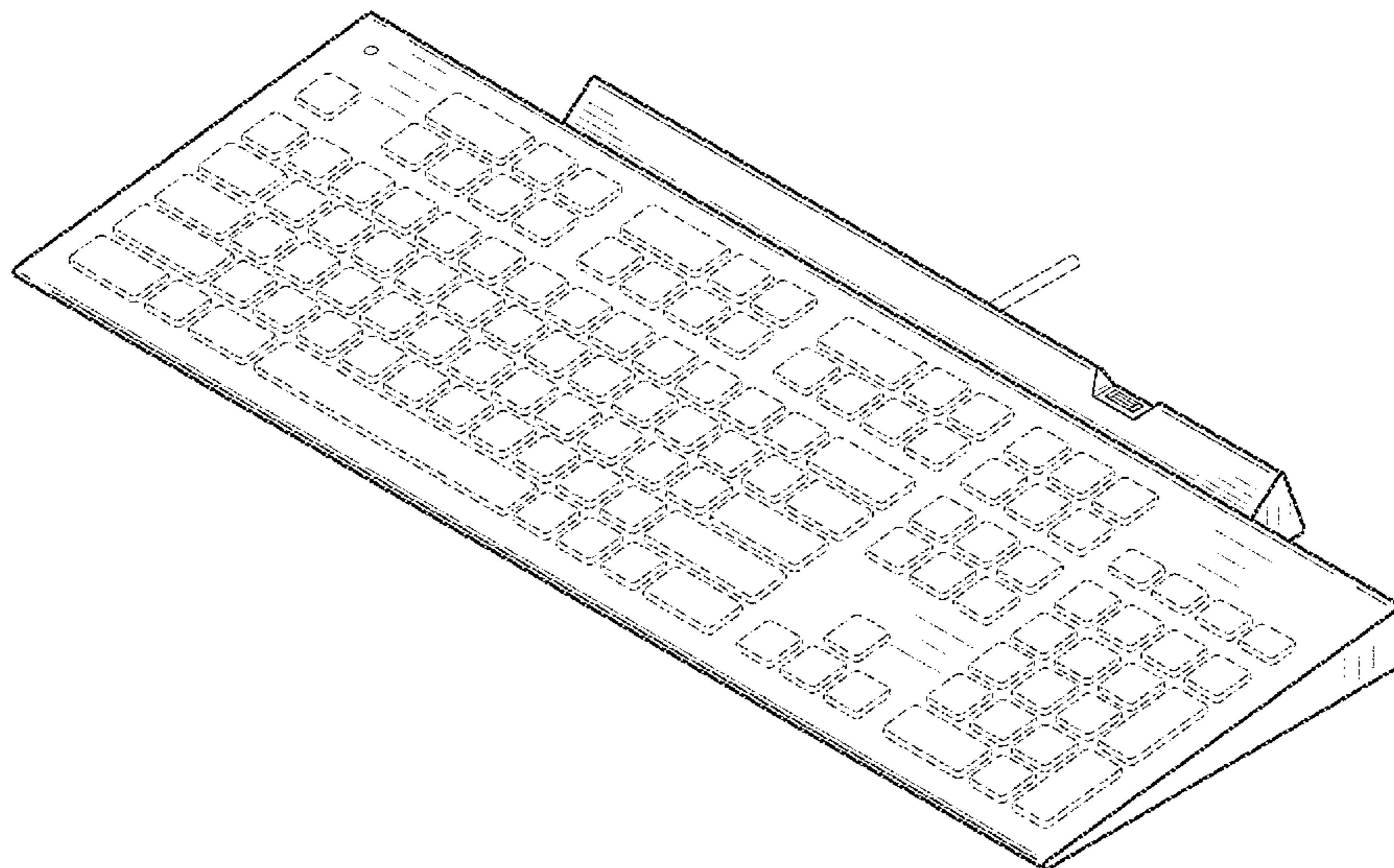


FIG. 1

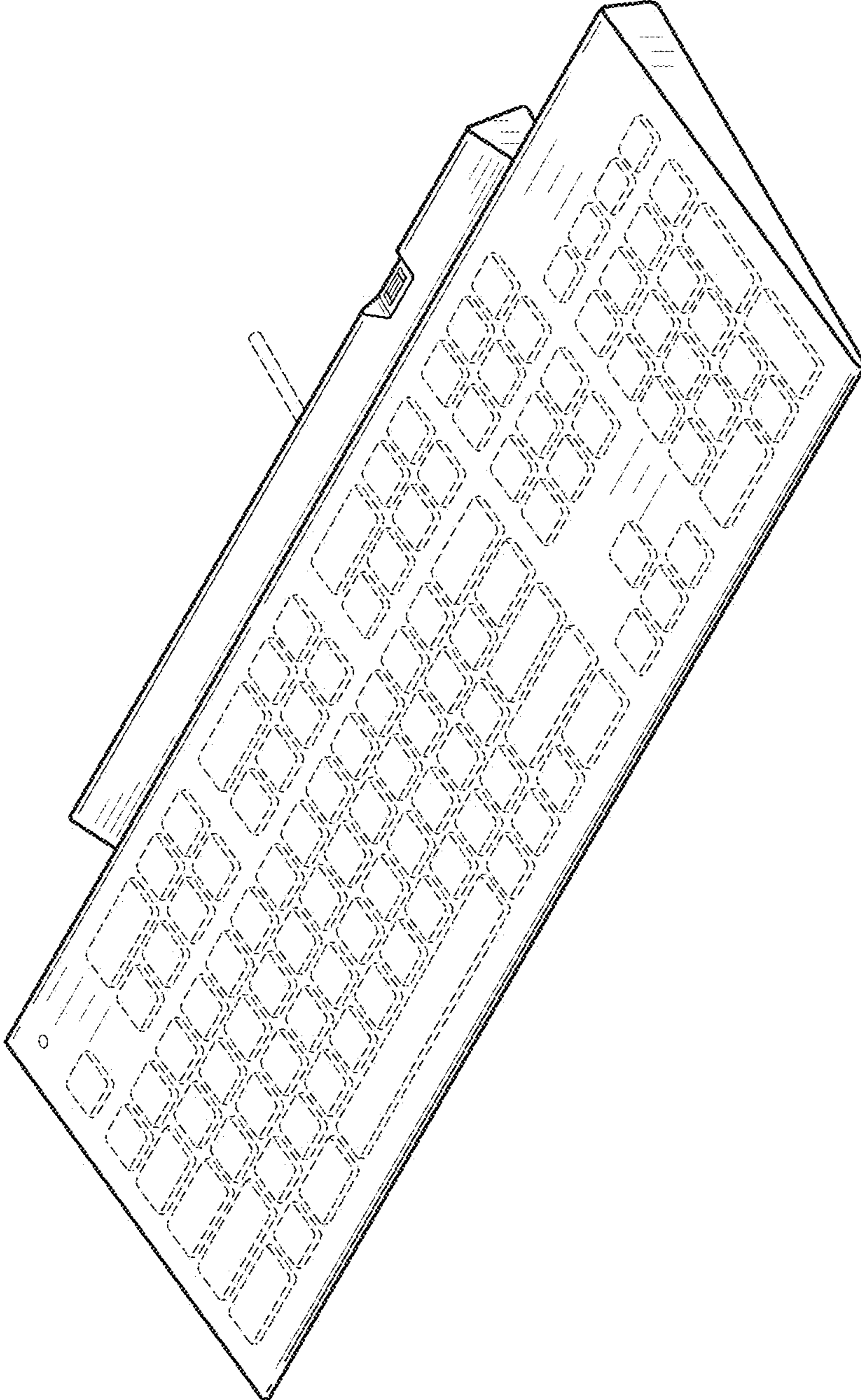


FIG. 2

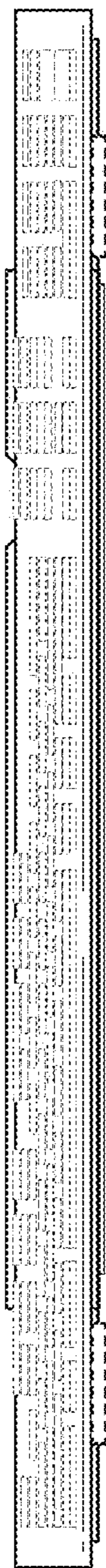
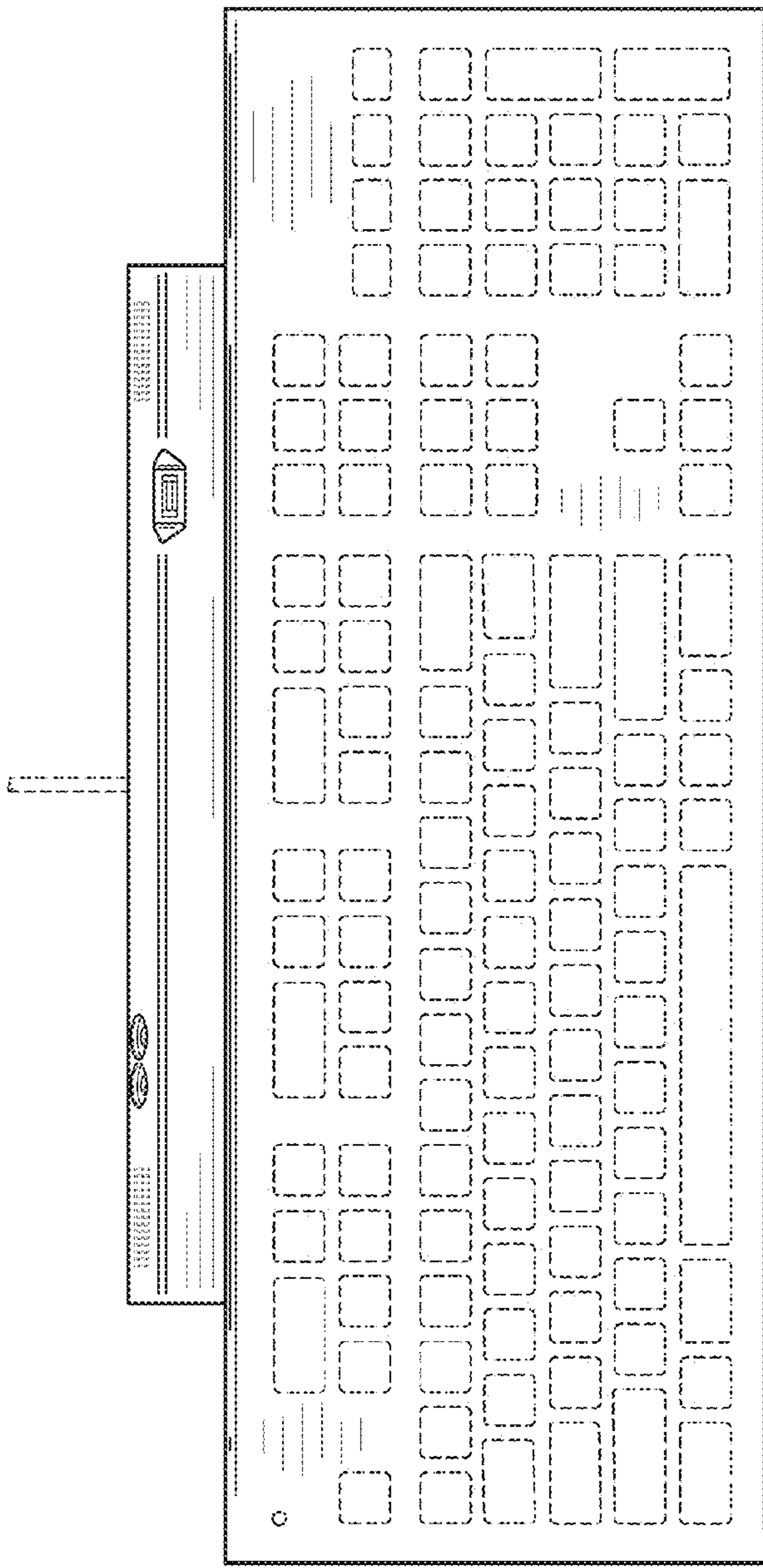


FIG. 3



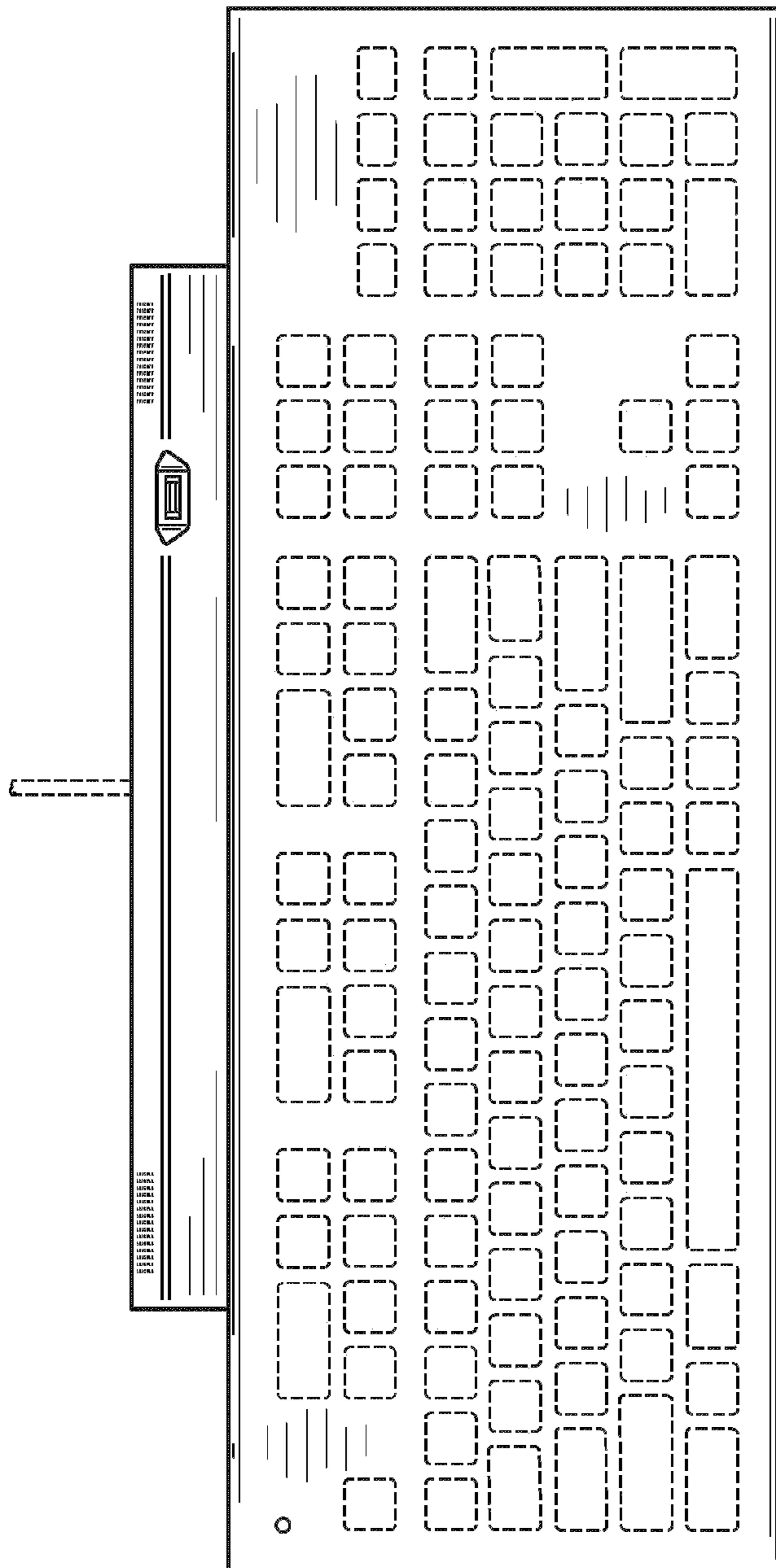


FIG. 9



FIG. 4

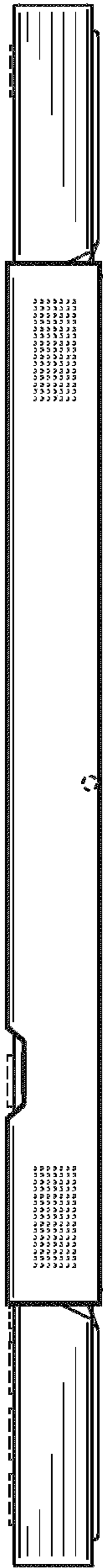


FIG. 10

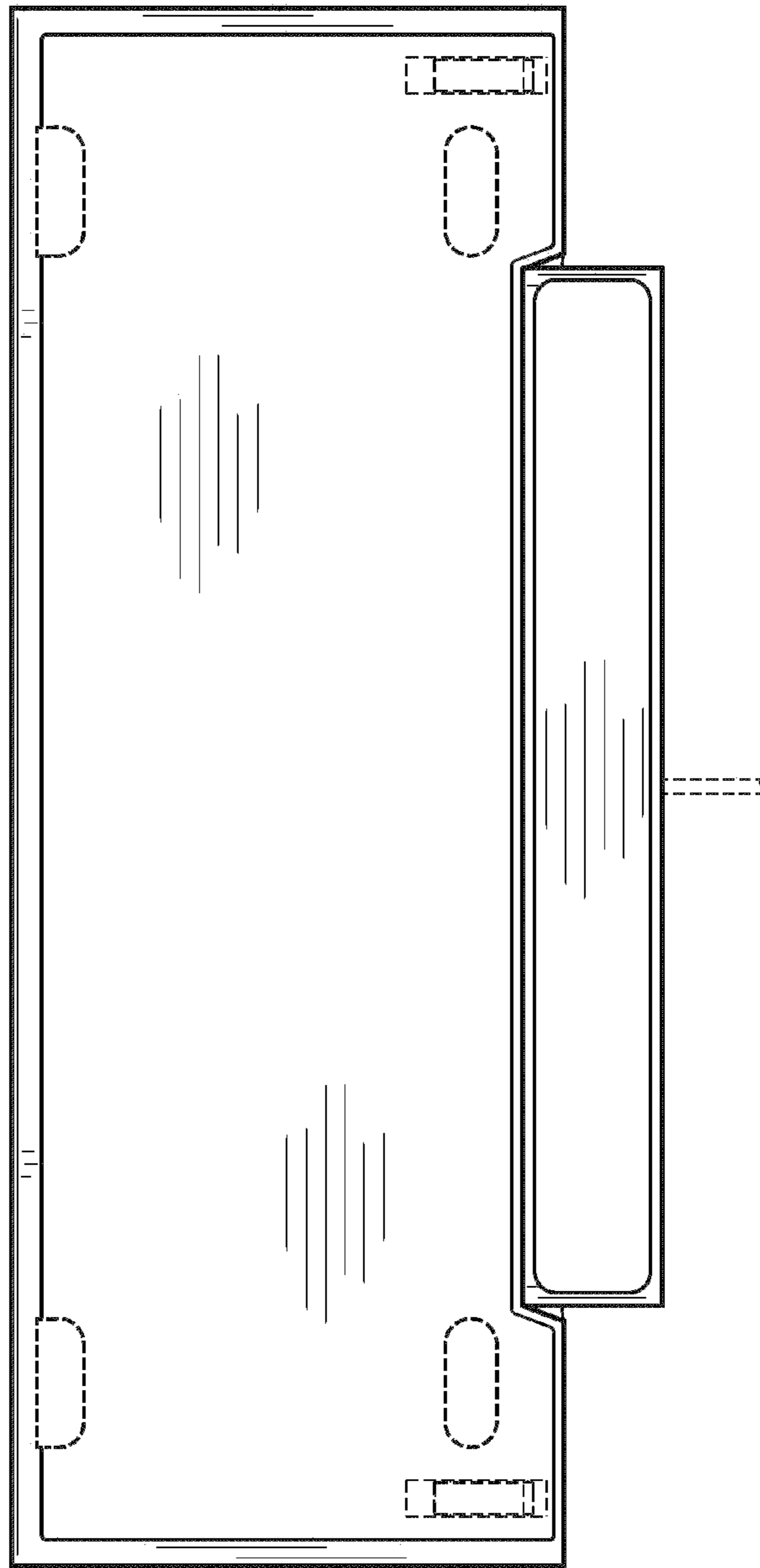


FIG. 5

FIG. 6

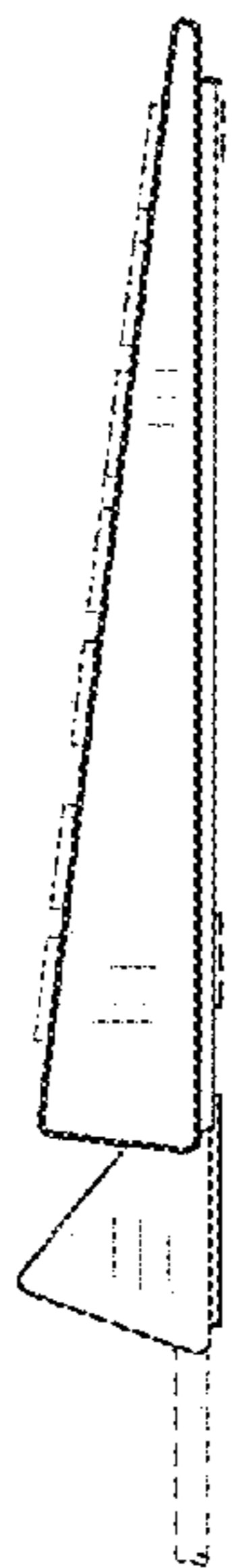


FIG. 7

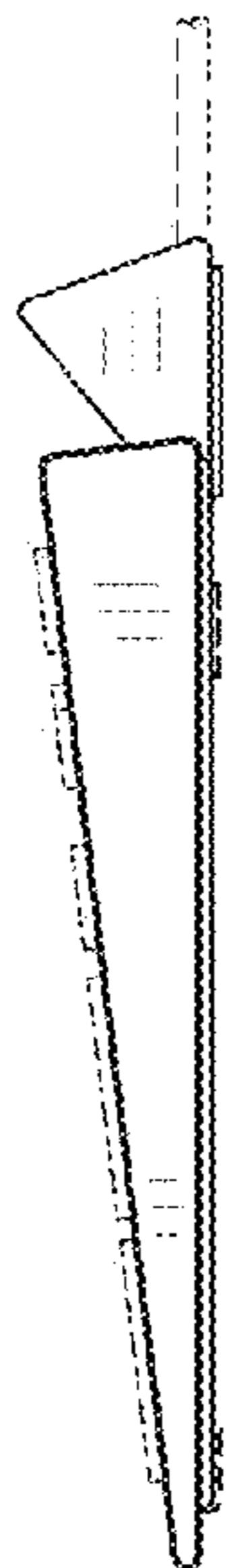
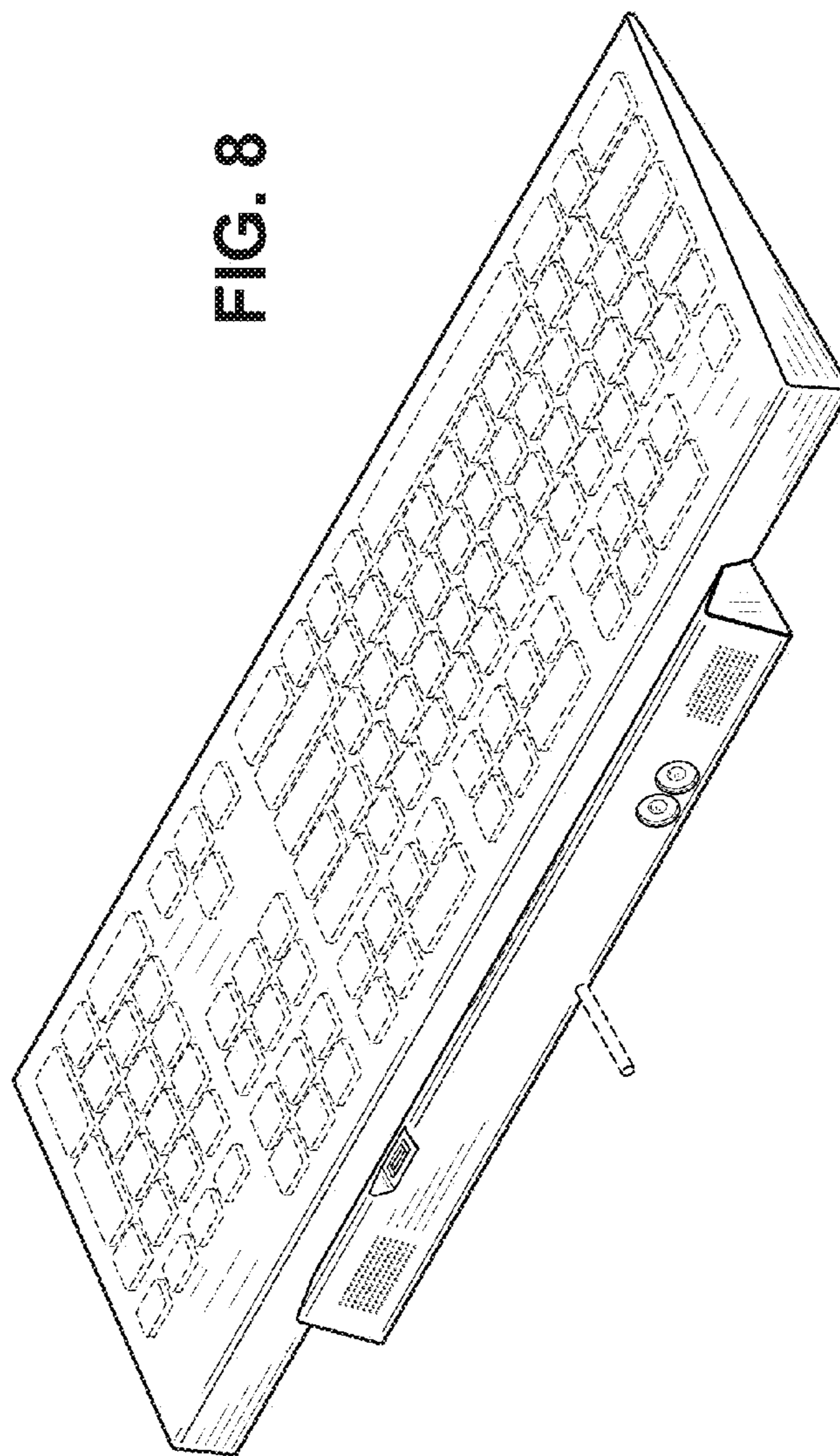


FIG. 8



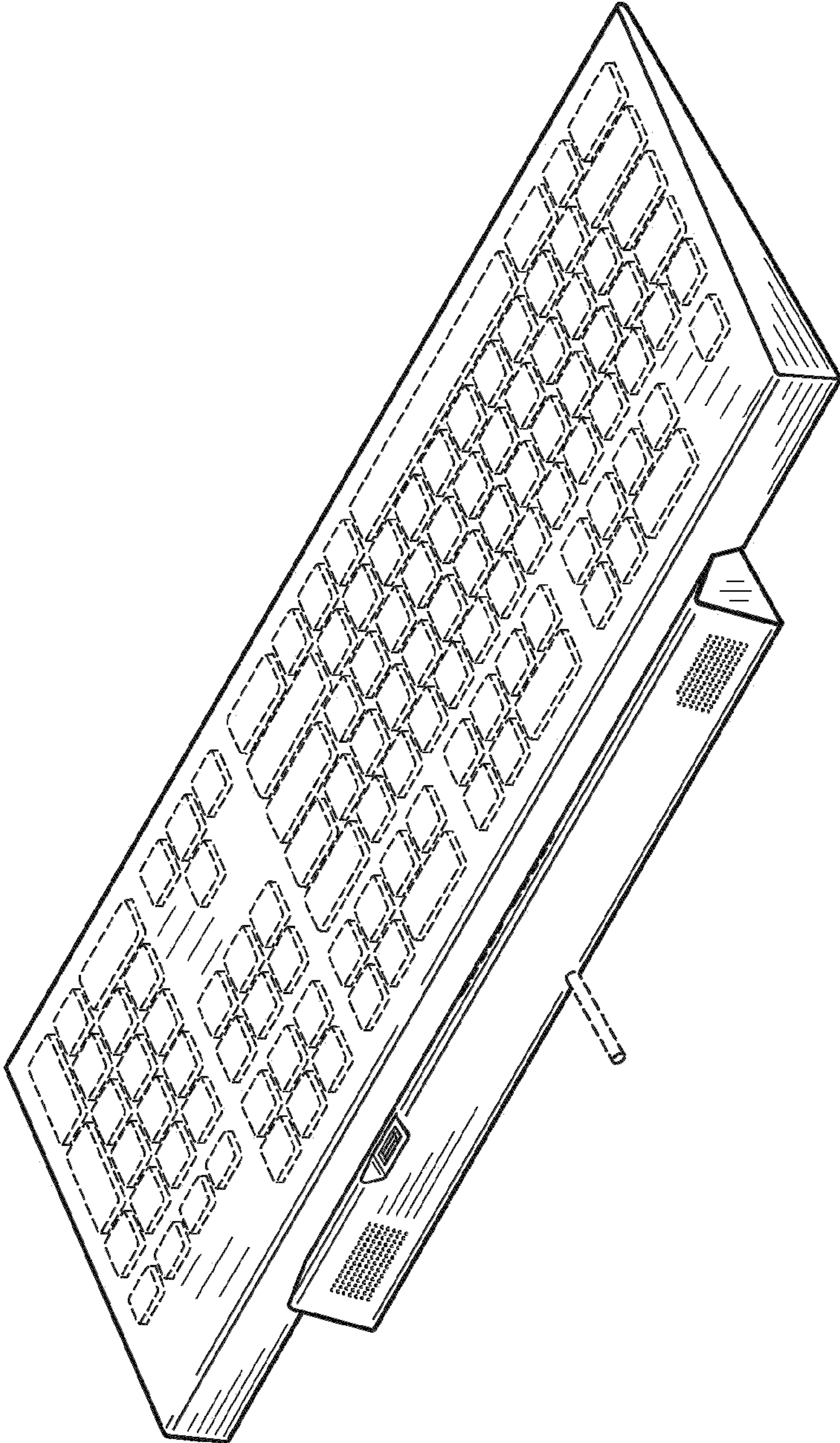


FIG. 11