



US00D752591S

(12) **United States Design Patent**
Ozolins et al.

(10) **Patent No.:** **US D752,591 S**
(45) **Date of Patent:** **** Mar. 29, 2016**

(54) **DOCK FOR A KEYBOARD**

(71) Applicant: **BLOOMBERG FINANCE L.P.**, New York, NY (US)
(72) Inventors: **Helmars Ozolins**, Orient, NY (US);
Avram Kaufman, New York, NY (US);
Adam Goldsmith, Larchmont, NY (US);
Sean Roarty, Ossining, NY (US); **Sigrid G. Moeslinger**, New York, NY (US);
Masamichi Udagawa, New York, NY (US)
(73) Assignee: **Bloomberg Finance L.P.**, New York, NY (US)

(**) Term: **14 Years**

(21) Appl. No.: **29/511,911**

(22) Filed: **Dec. 15, 2014**

(51) **LOC (10) Cl.** **14-02**

(52) **U.S. Cl.**
USPC **D14/434**

(58) **Field of Classification Search**
USPC D14/432-434, 314, 204, 420, 421, 447,
D14/217, 358, 138 R, 140, 142, 253;
D13/107, 108, 146; D8/373;
248/346.03, 176.1; 361/679.41,
361/679.31, 679.32, 679.4, 679.43, 679.55,
361/679.58, 679.33; 320/107, 109,
320/112-115; 710/15, 303; 455/557;
439/347, 534
CPC H02J 7/0042; H02J 7/00; H01R 31/065;
H01M 10/44; F16M 11/10; G06F 1/1632
See application file for complete search history.

(56) **References Cited**

U.S. PATENT DOCUMENTS

D365,340	S	*	12/1995	Hill	D14/356
D405,064	S	*	2/1999	Iino	D13/147
D661,286	S	*	6/2012	McManigal	D14/240
D687,010	S	*	7/2013	McManigal	D14/188
2007/0211579	A1	*	9/2007	Yoshimura	H04R 5/04 369/7

* cited by examiner

Primary Examiner — Freda S Nunn

(74) *Attorney, Agent, or Firm* — Chiesa Shahinian & Giantomasi PC

(57) **CLAIM**

The ornamental design for a dock for a keyboard, as shown and described.

DESCRIPTION

FIG. 1 is a front perspective view of a dock for a keyboard according to our design;
FIG. 2 is a front view thereof;
FIG. 3 is a rear view thereof;
FIG. 4 is a left side view thereof;
FIG. 5 is a right side view thereof;
FIG. 6 is a top view thereof;
FIG. 7 is a bottom view thereof;
FIG. 8 is a rear perspective view thereof;
FIG. 9 is a rear view of a second embodiment thereof, the front, left side, right side, and bottom views are the same as those in the first embodiment;
FIG. 10 is a top view thereof; and,
FIG. 11 is a rear perspective view thereof.
Broken lines shown in the drawings illustrate portions of the dock for a keyboard and form no part of the claimed design.

1 Claim, 5 Drawing Sheets

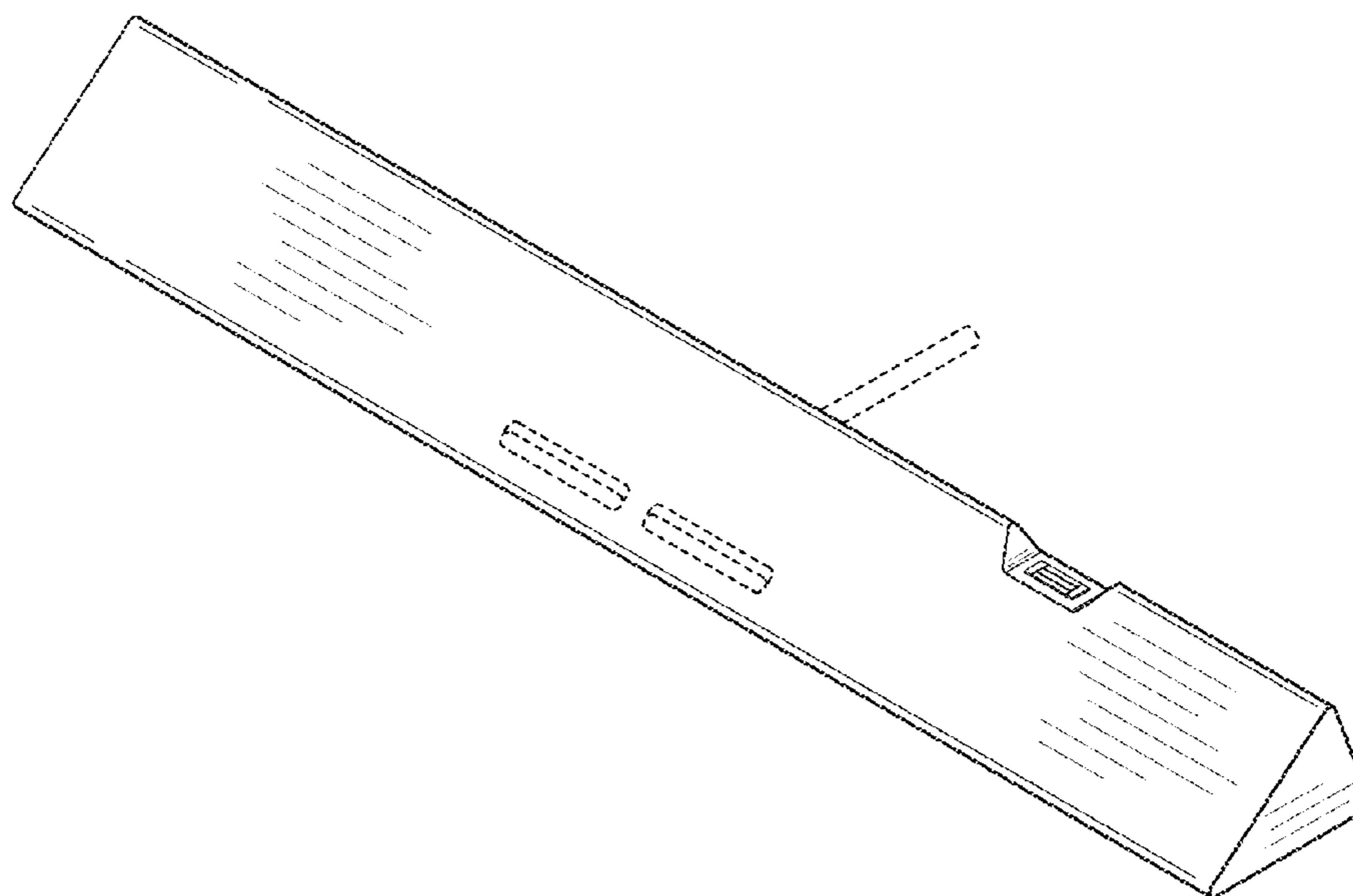
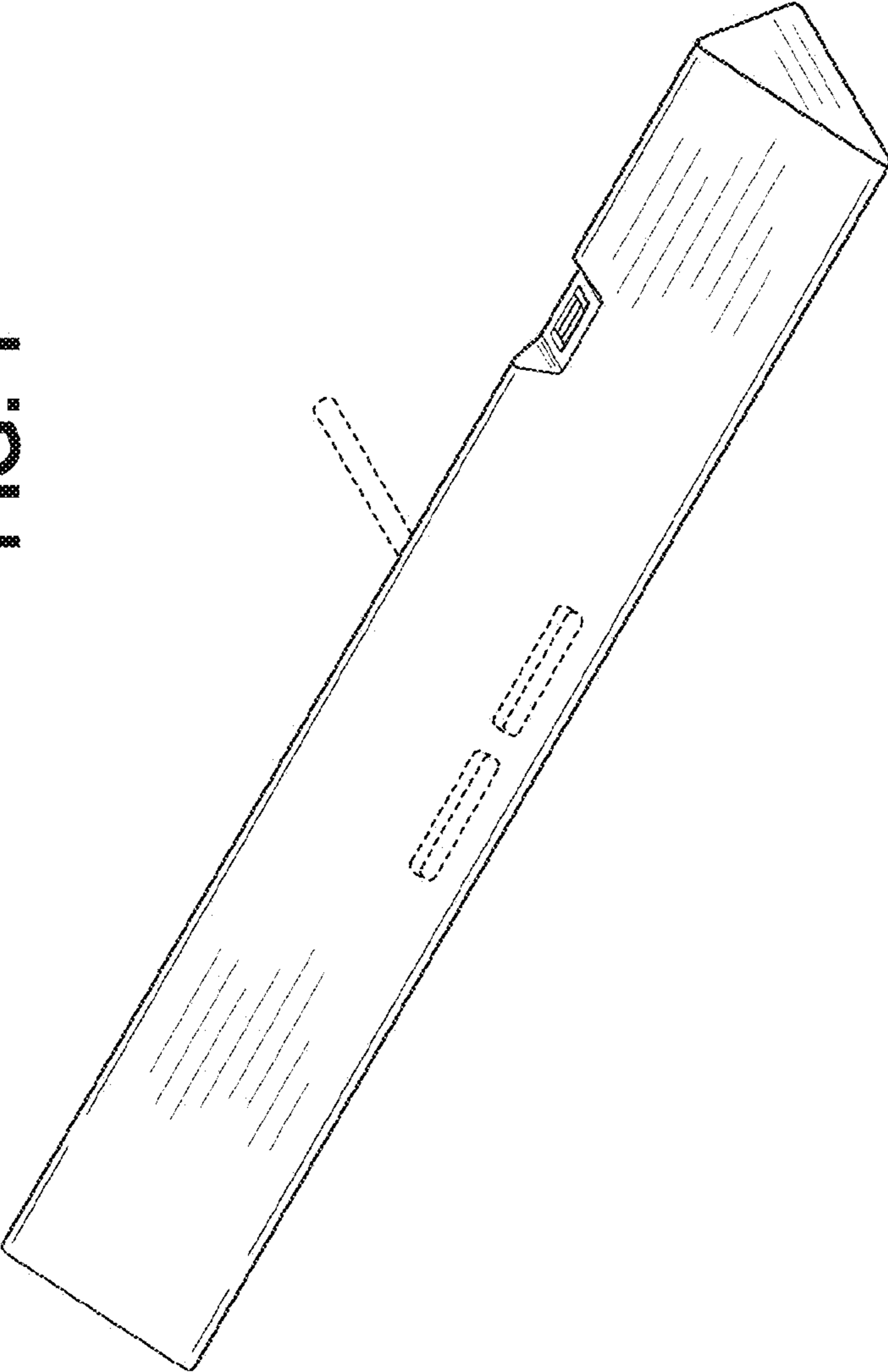


FIG. 1



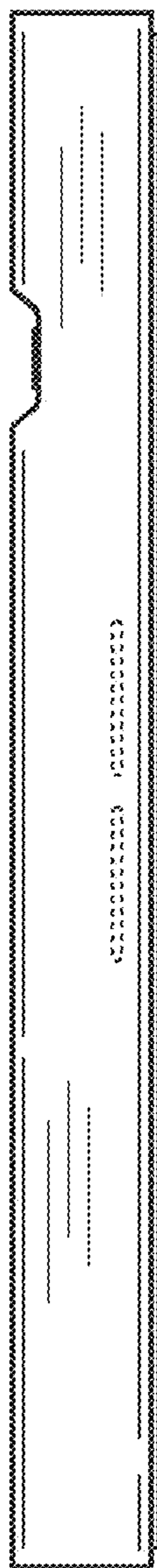


FIG. 2

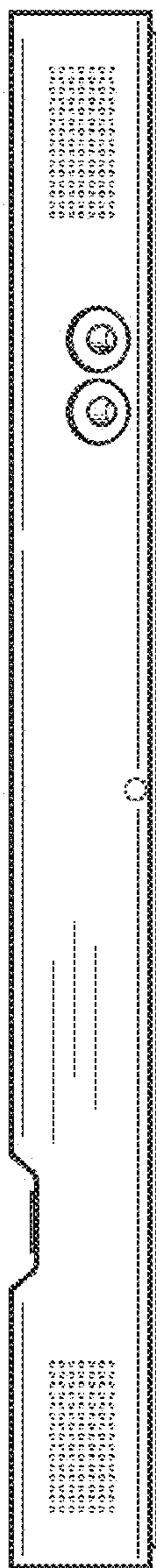


FIG. 3

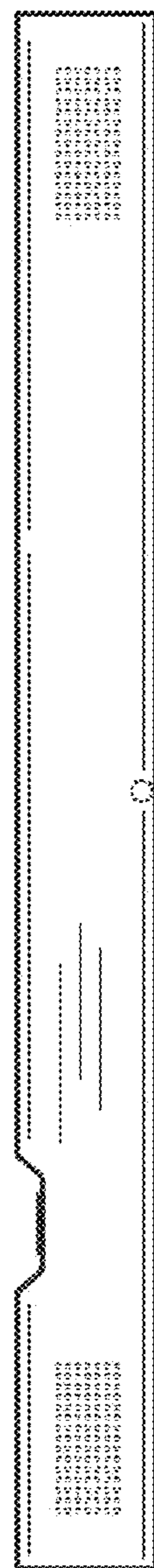


FIG. 9



FIG. 4

FIG. 5

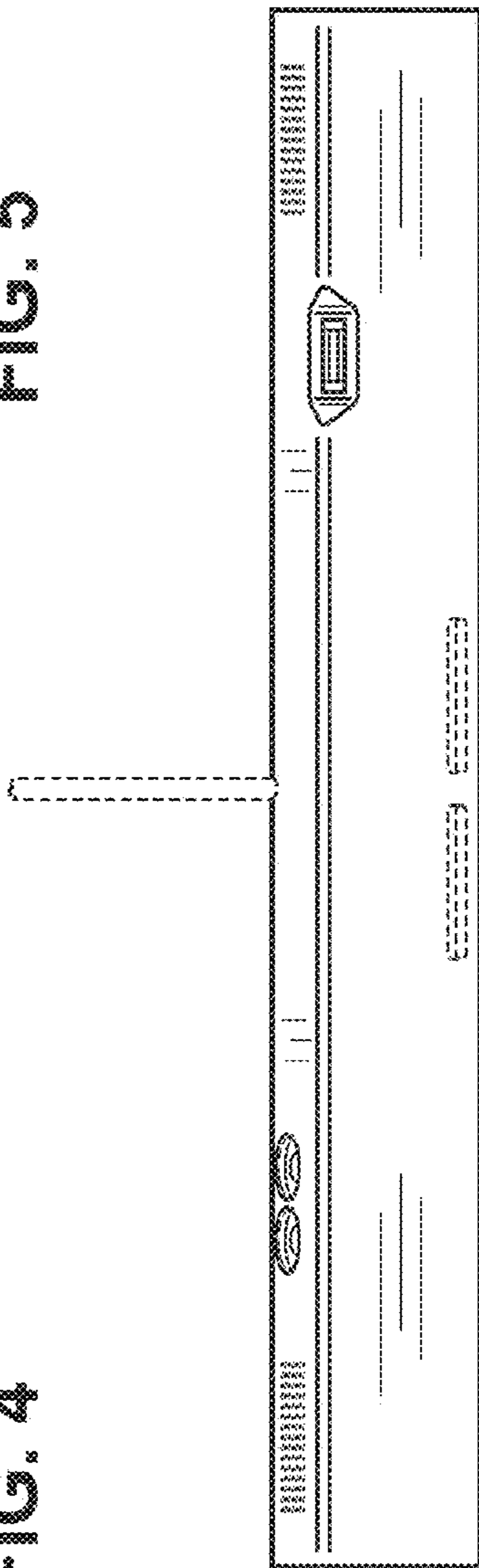


FIG. 6

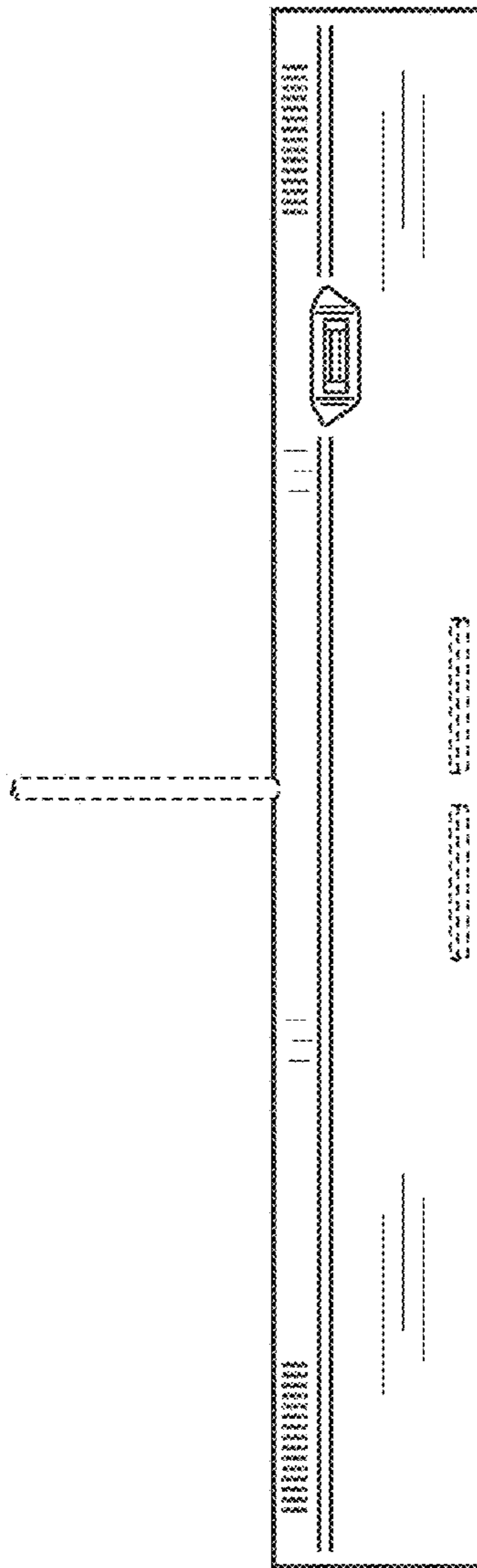


FIG. 10

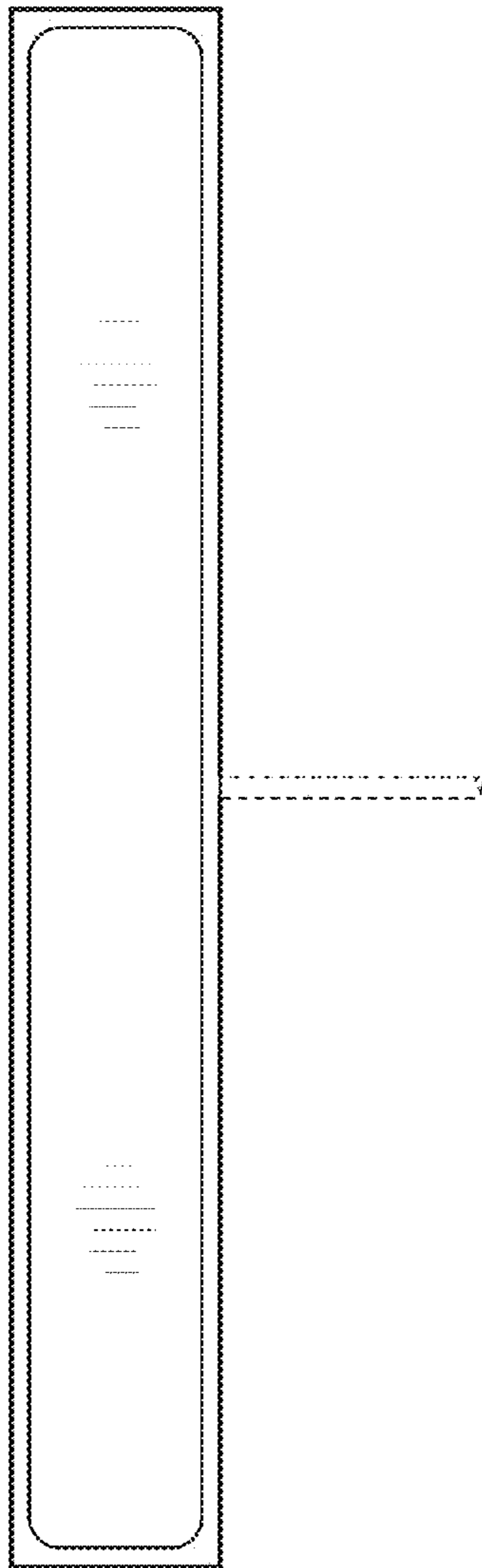


FIG. 7

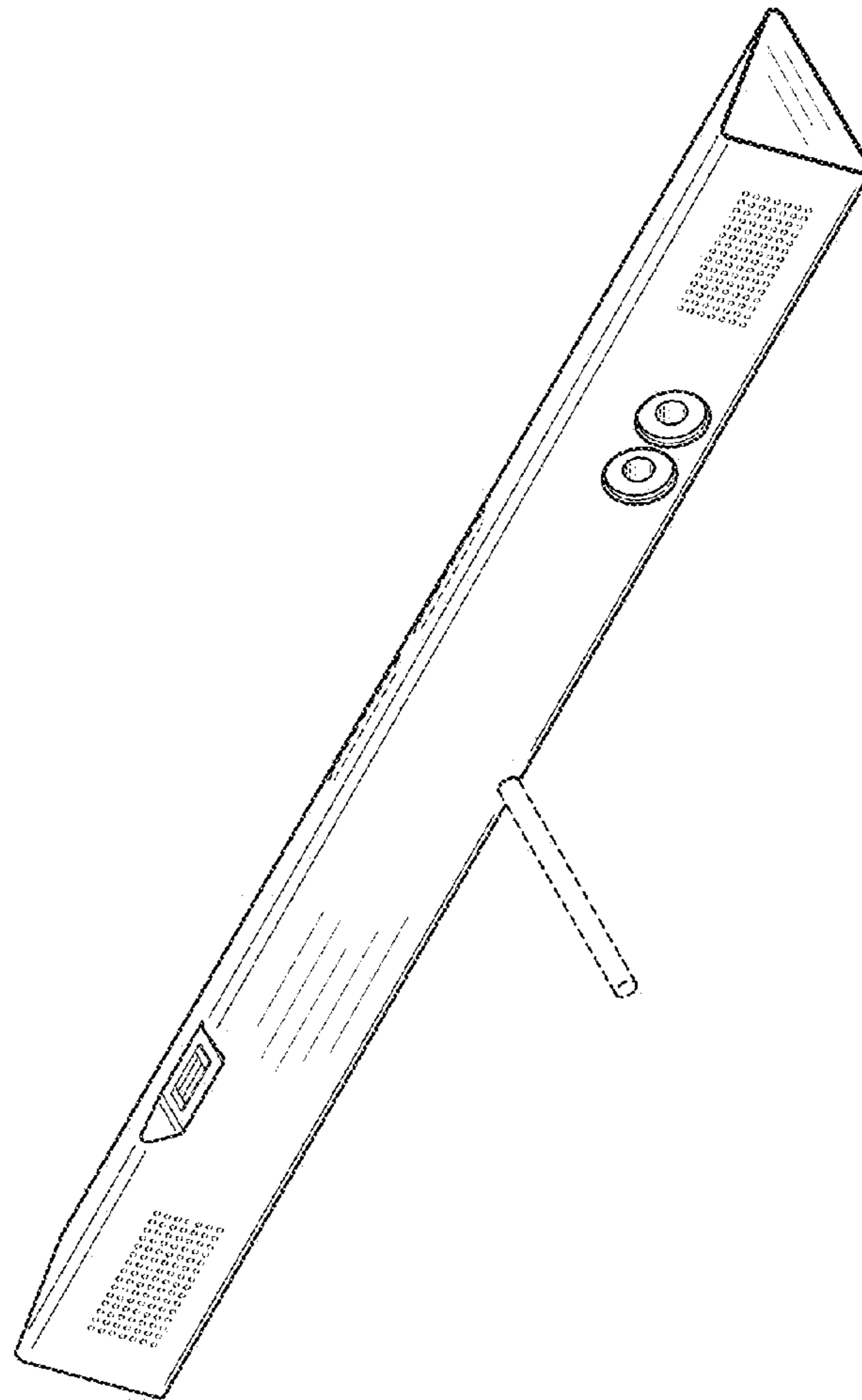


FIG. 8

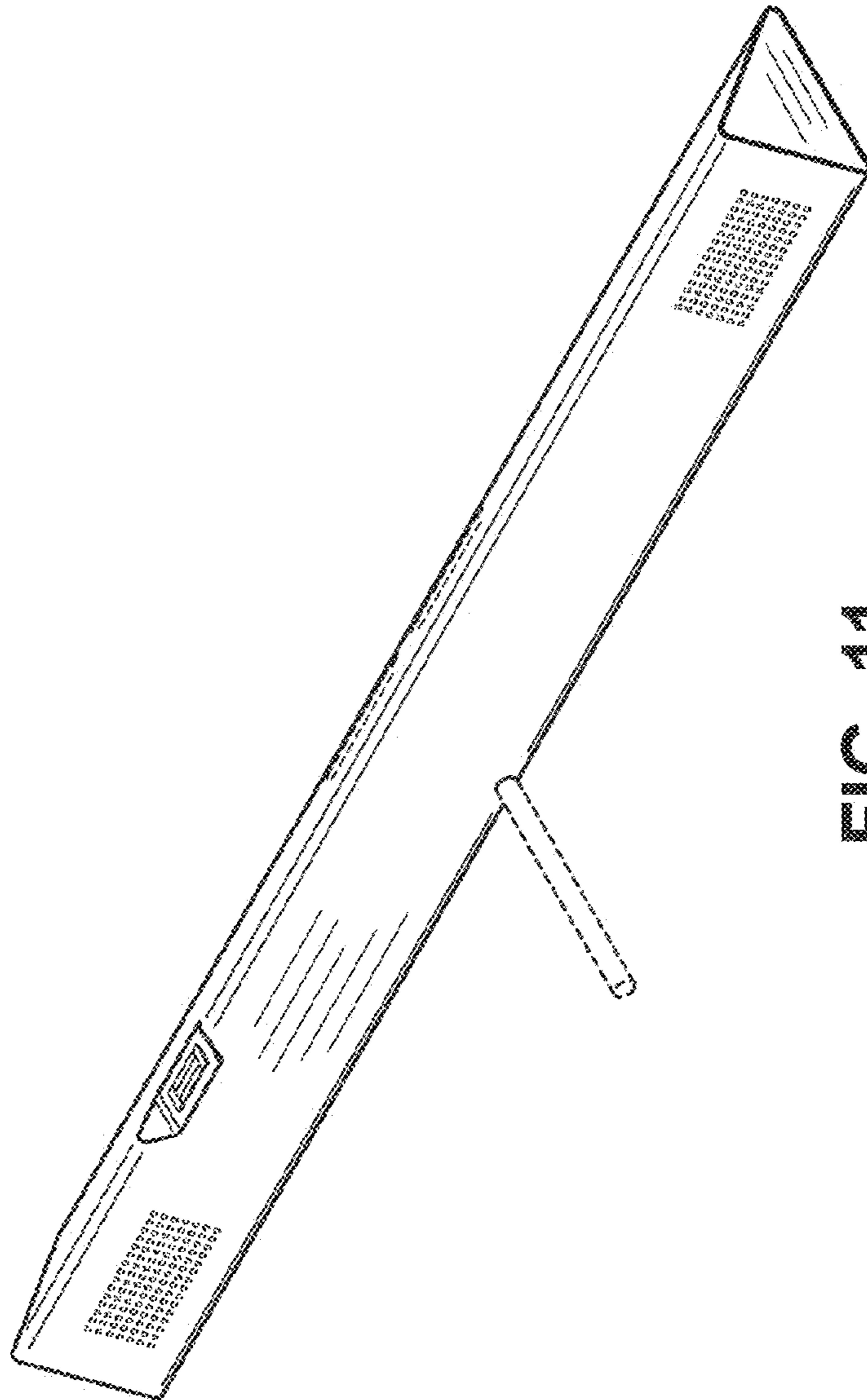


FIG. 11