



US00D752590S

(12) **United States Design Patent**
Bragg et al.

(10) **Patent No.:** **US D752,590 S**
(45) **Date of Patent:** **** Mar. 29, 2016**

(54) **COMMUNICATION OUTLET**

(71) Applicant: **Leviton Manufacturing Co., Inc.**,
Melville, NY (US)

(72) Inventors: **Charles R. Bragg**, Bothell, WA (US);
Ryan C. Moore, Mill Creek, WA (US);
Dean S. Lipke, Mill Creek, WA (US)

(73) Assignee: **Leviton Manufacturing Co., Ltd.**,
Melville, NY (US)

(**) Term: **14 Years**

(21) Appl. No.: **29/494,362**

(22) Filed: **Jun. 19, 2014**

(51) **LOC (10) Cl.** **14-02**

(52) **U.S. Cl.**
USPC **D14/433**

(58) **Field of Classification Search**
USPC D14/356, 432-434, 453, 454, 511,
D14/203.8, 209.1, 238.1, 240, 125;
439/638, 928, 105, 502; 710/303, 304;
361/679.41, 679.55, 679.56; D13/110,
D13/133, 146

CPC ... H04L 12/2832; H04L 12/2838; G06F 3/00;
G06F 5/00; G06F 13/14

See application file for complete search history.

(56) **References Cited**

U.S. PATENT DOCUMENTS

D565,443 S * 4/2008 Frake D10/78
D587,201 S * 2/2009 Allwood D13/133

D603,341 S * 11/2009 Kawakami D13/158
D649,971 S * 12/2011 Lyford D13/133
D663,273 S * 7/2012 Lyford D13/133
D668,226 S * 10/2012 Lyford D13/133
D714,293 S * 9/2014 Kelly D14/433
D721,036 S * 1/2015 Kreitzer D13/133
D729,806 S * 5/2015 Park D14/433
D731,489 S * 6/2015 Langhammer D14/433
D732,536 S * 6/2015 Kang D14/433
D733,142 S * 6/2015 Solomon D14/433
D743,398 S * 11/2015 Smith D14/433
D745,523 S * 12/2015 Magi D14/433
D746,291 S * 12/2015 Solomon D14/433

* cited by examiner

Primary Examiner — Austin Murphy

(74) *Attorney, Agent, or Firm* — George C. Rondeau, Jr.;
Davis Wright Tremaine LLP

(57) **CLAIM**

The ornamental design for a communication outlet, as shown
and described.

DESCRIPTION

FIG. 1 is a top rear perspective view of a communication
outlet showing our new design.

FIG. 2 is a top front perspective view thereof.

FIG. 3 is a rear elevational view thereof

FIG. 4 is a right side elevational view thereof.

FIG. 5 is a top plan view thereof.

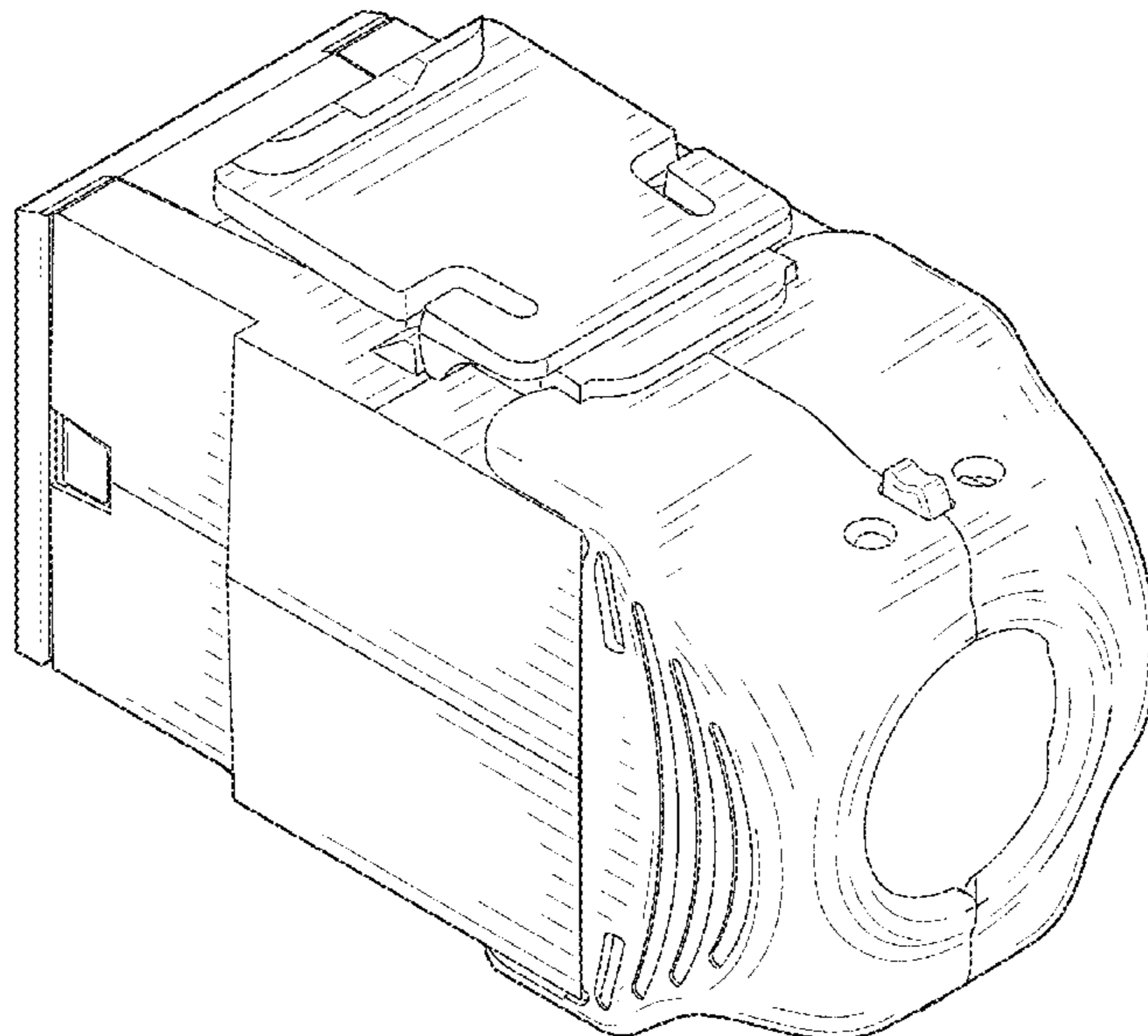
FIG. 6 is a left side elevational view thereof.

FIG. 7 is a bottom plan view thereof; and,

FIG. 8 is a front elevational view thereof.

The broken lines represent portions of the communication
outlet that form no part of the claim.

1 Claim, 8 Drawing Sheets



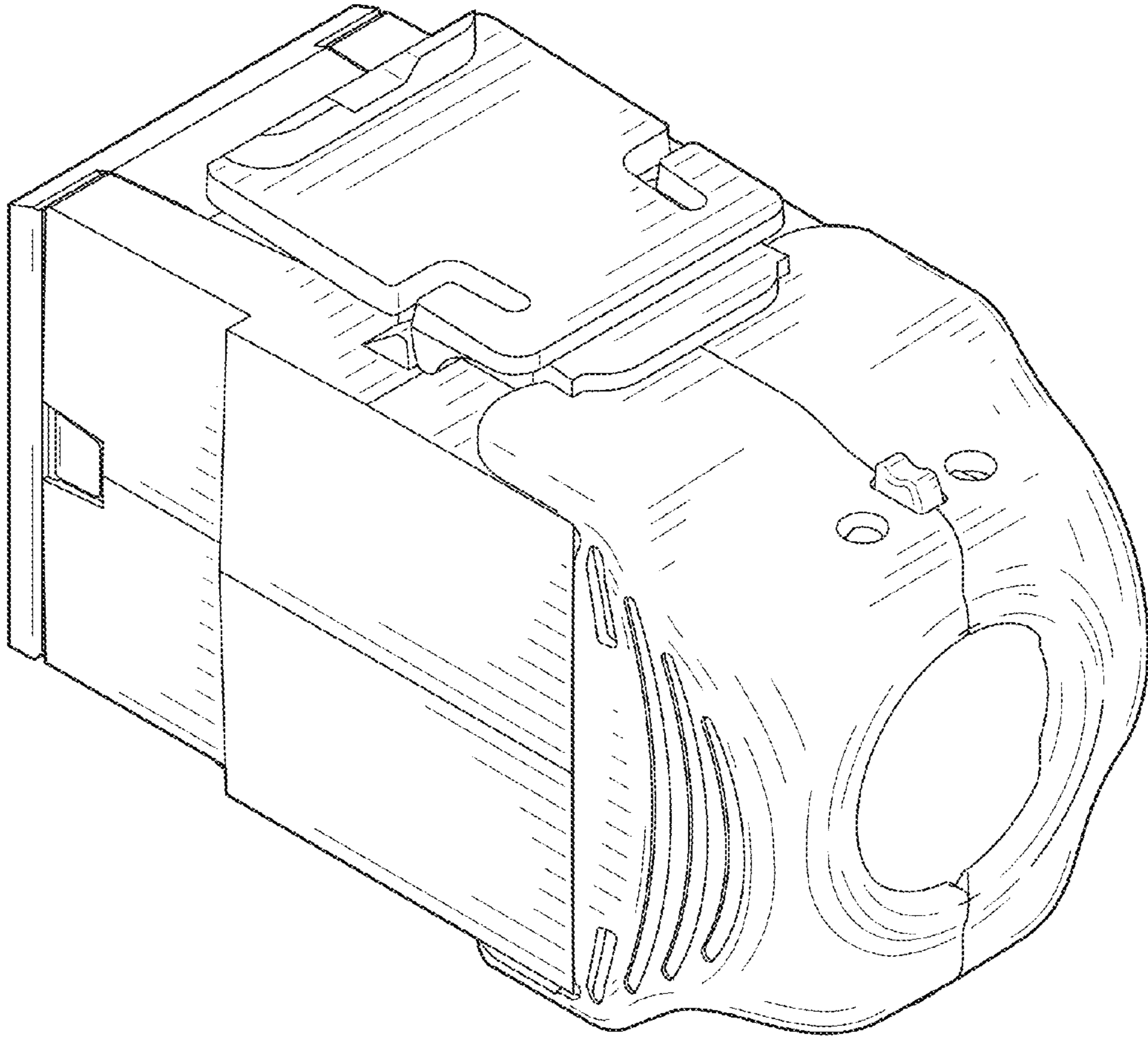


FIG.1

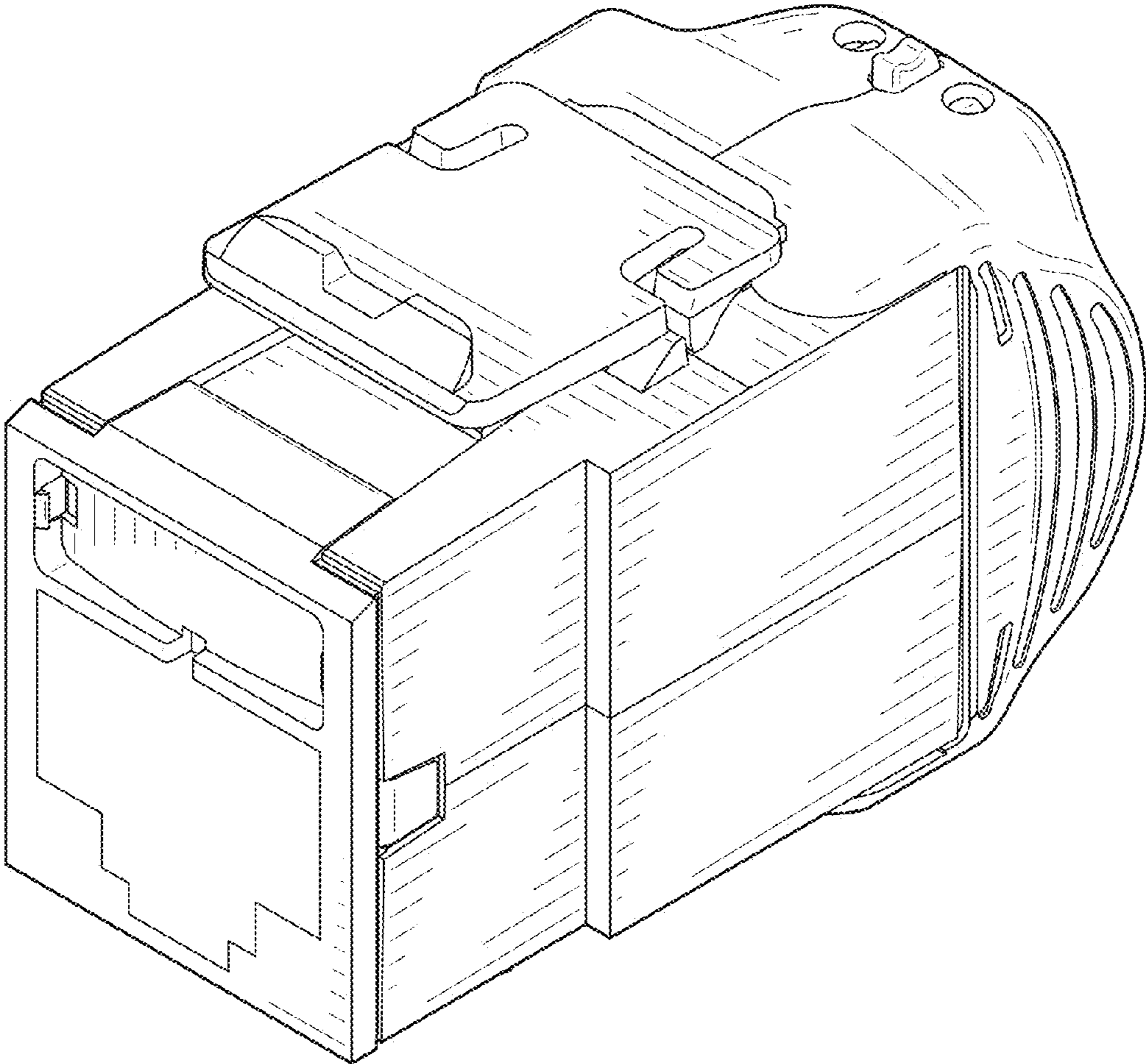


FIG.2

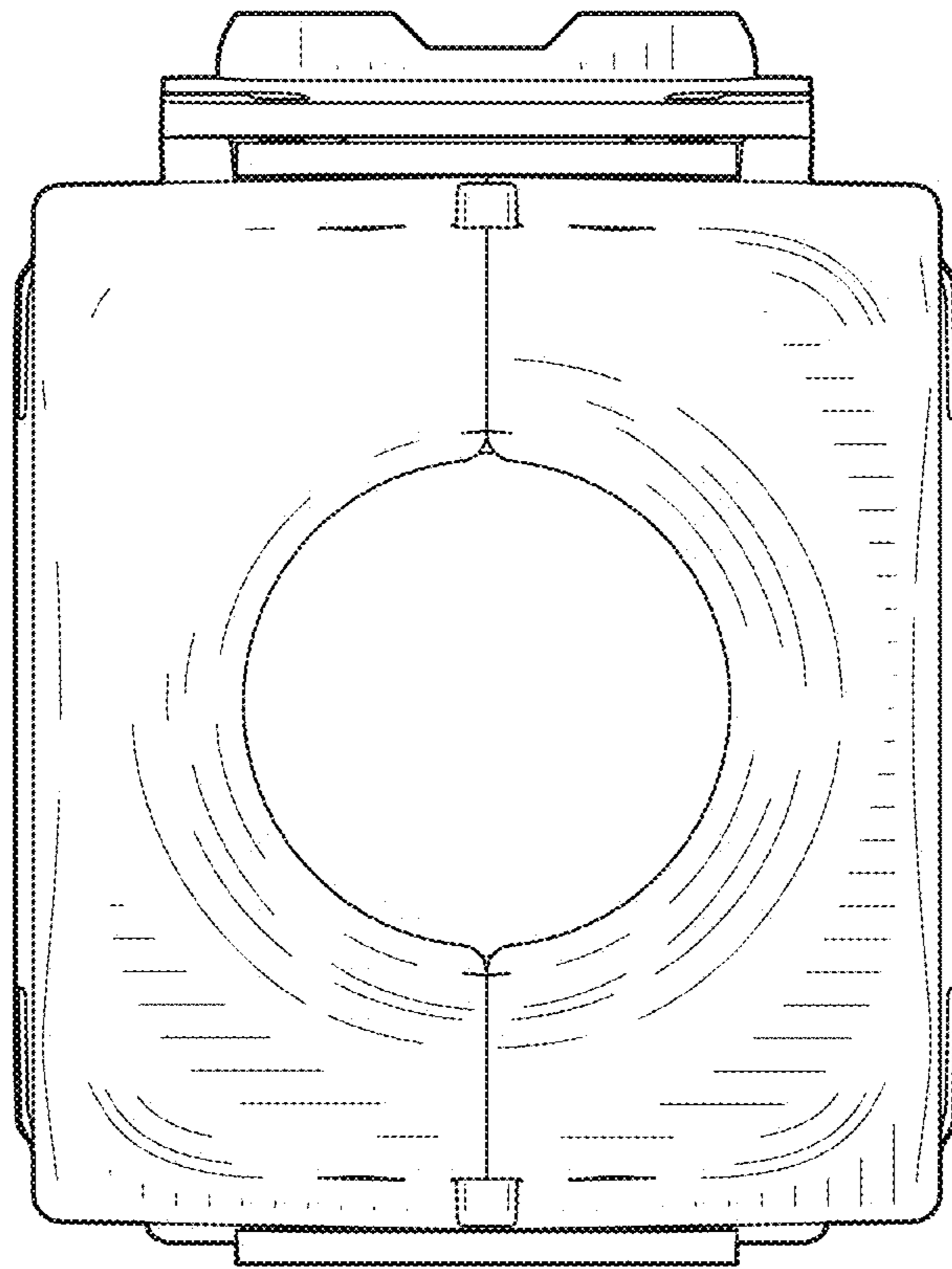


FIG. 3

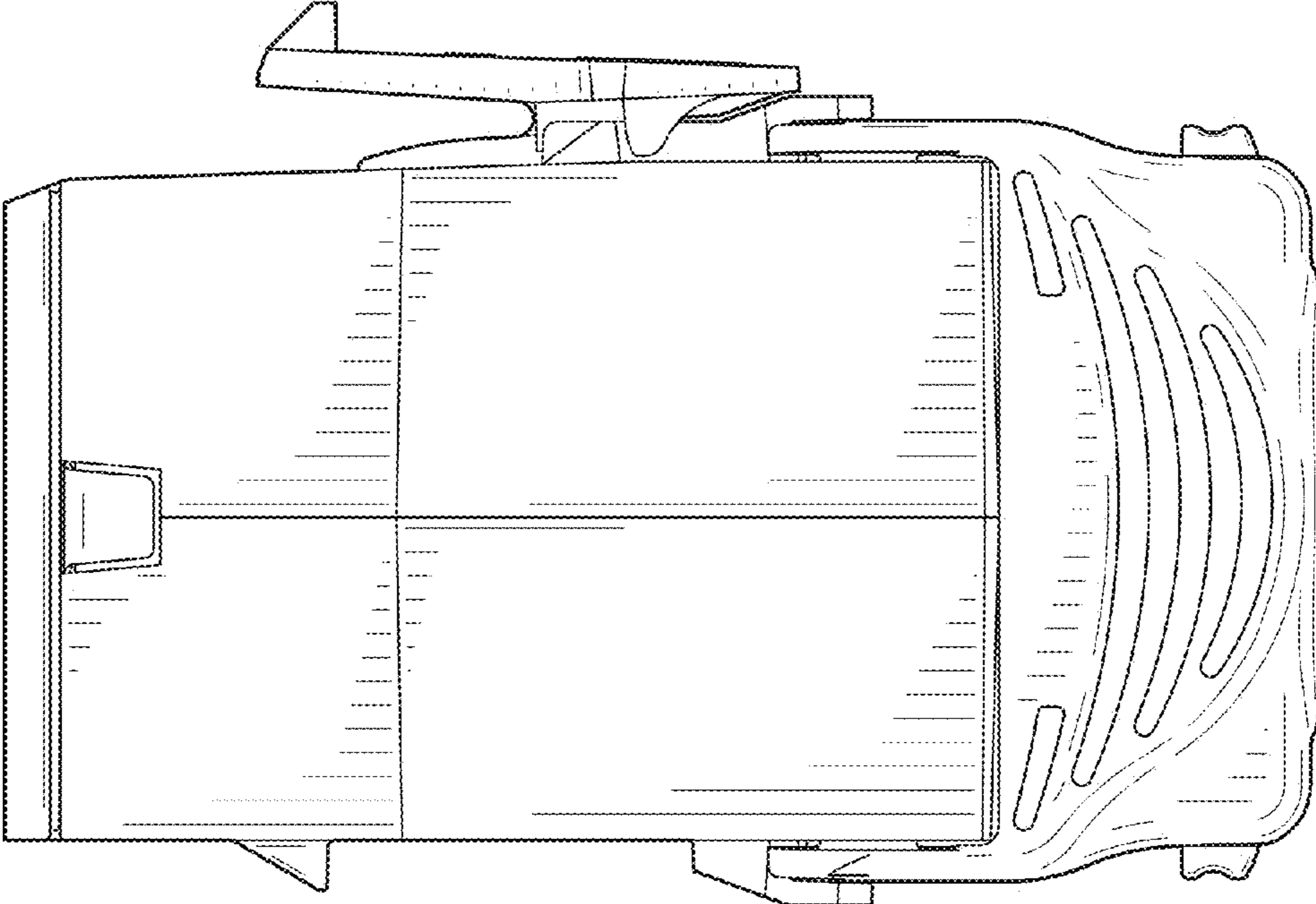


FIG. 4

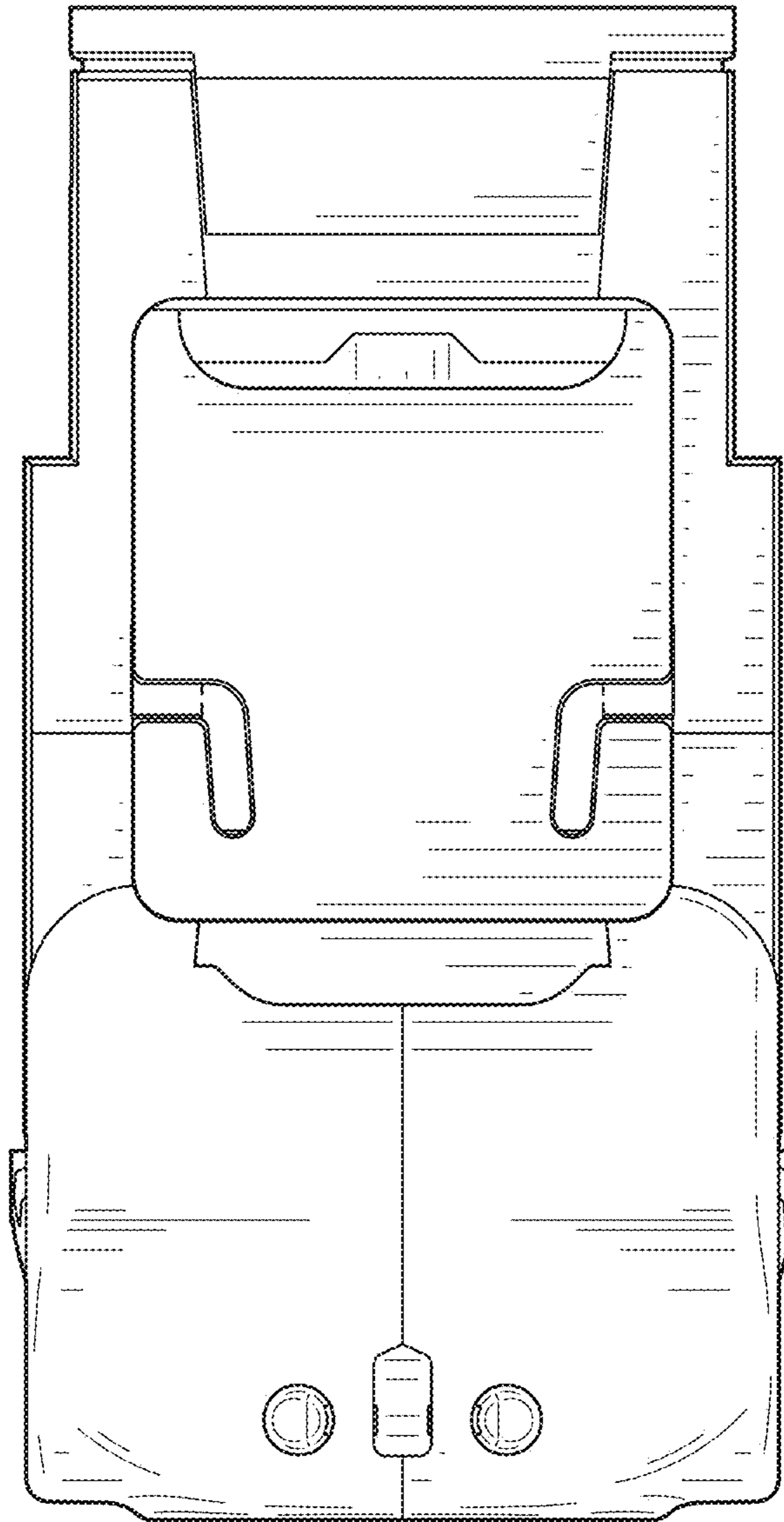


FIG. 5

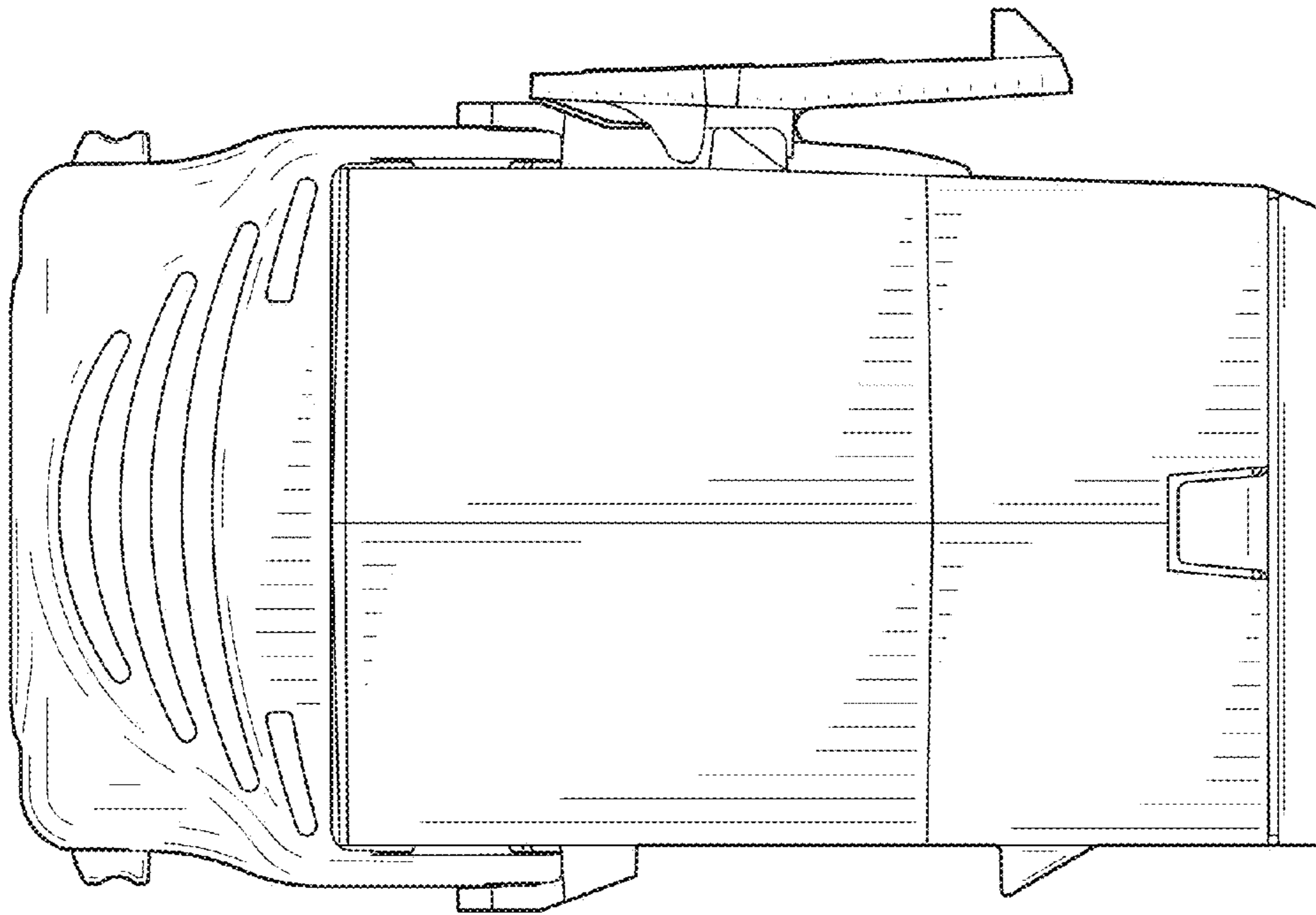


FIG. 6

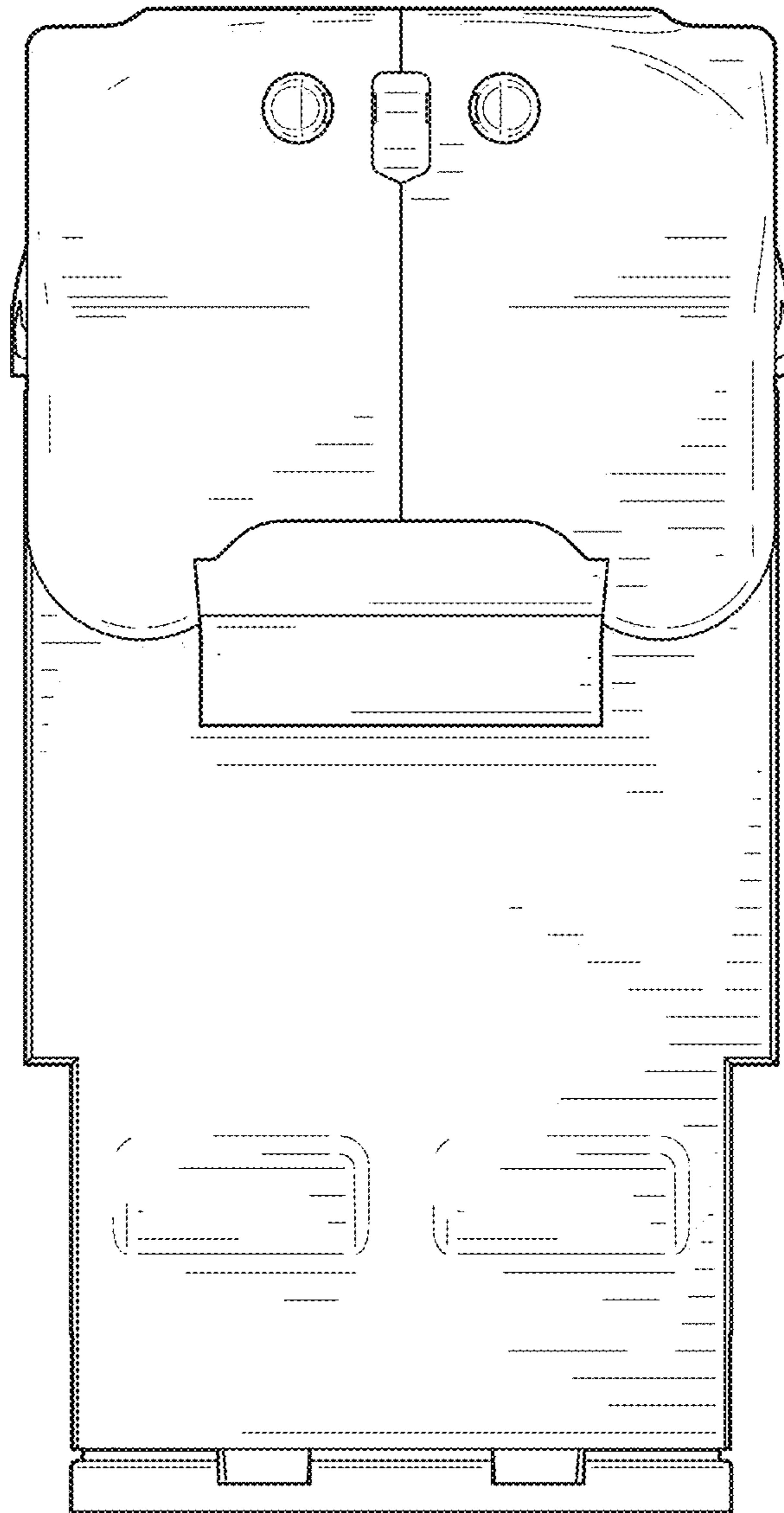


FIG. 7

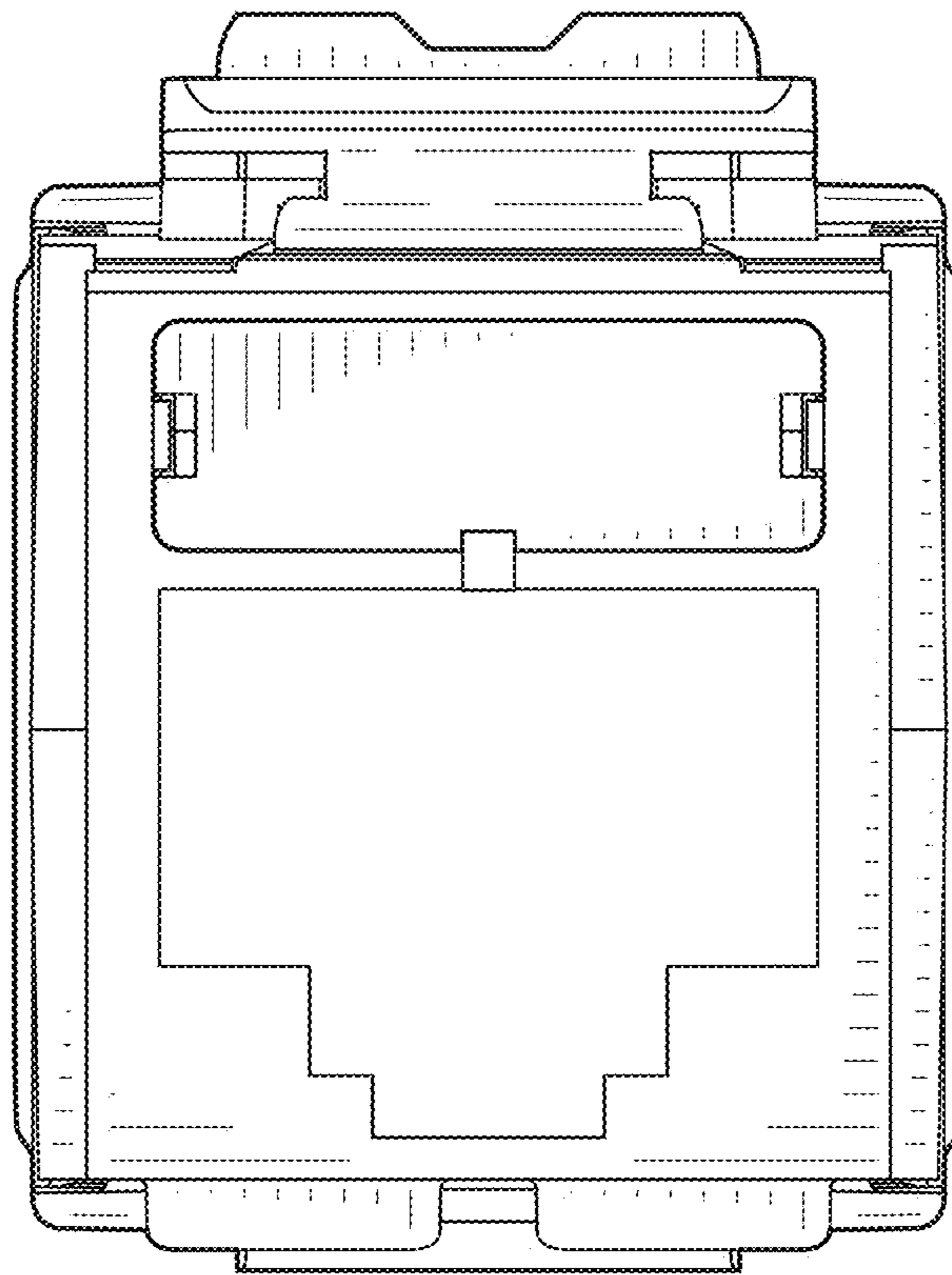


FIG. 8