

US00D752586S

(12) **United States Design Patent**
Lee

(10) **Patent No.:** **US D752,586 S**
(45) **Date of Patent:** **** Mar. 29, 2016**

(54) **ULTRA SLIM DISPLAY**

(71) Applicants: **BOE TECHNOLOGY GROUP CO., LTD.**, Beijing (CN); **Beijing BOE Vision-Electronic Technology Co., Ltd.**, Beijing (CN)

(72) Inventor: **Cheng-Hsiung Lee**, Beijing (CN)

(73) Assignees: **BOE TECHNOLOGY GROUP CO., LTD.**, Beijing (CN); **BEIJING BOE VISION-ELECTRONIC TECHNOLOGY CO., LTD.**, Beijing (CN)

(**) Term: **14 Years**

(21) Appl. No.: **29/502,949**

(22) Filed: **Sep. 22, 2014**

(30) **Foreign Application Priority Data**

Apr. 2, 2014 (CN) 2014 3 0075191

(51) **LOC (10) Cl.** **14-02**

(52) **U.S. Cl.**
USPC **D14/374**

(58) **Field of Classification Search**
USPC D14/371-375, 125-129, 336, 337, 341; 341/12; 345/104, 156, 168, 173; 348/180, 184, 325, 739; 349/1, 2, 11, 349/62; 361/679.05-679.07, 679.21; D6/300, 308

CPC G06F 1/16; G06F 1/1601; G06F 3/037; G06F 1/162; F16M 11/04; F16M 11/10

See application file for complete search history.

(56) **References Cited**

U.S. PATENT DOCUMENTS

D512,423 S *	12/2005	Tanimura	D14/371
7,336,479 B2 *	2/2008	Liu	F16M 11/00 248/921
D619,135 S *	7/2010	Lin	D14/374
D670,668 S *	11/2012	Chen	D14/126
D693,783 S *	11/2013	Hasegawa	D14/126
2005/0041379 A1 *	2/2005	Jang	F16M 11/04 361/679.27

* cited by examiner

Primary Examiner — Freda S Nunn

(74) *Attorney, Agent, or Firm* — Nath, Goldberg & Meyer; Joshua B. Goldberg; Christopher Thomas

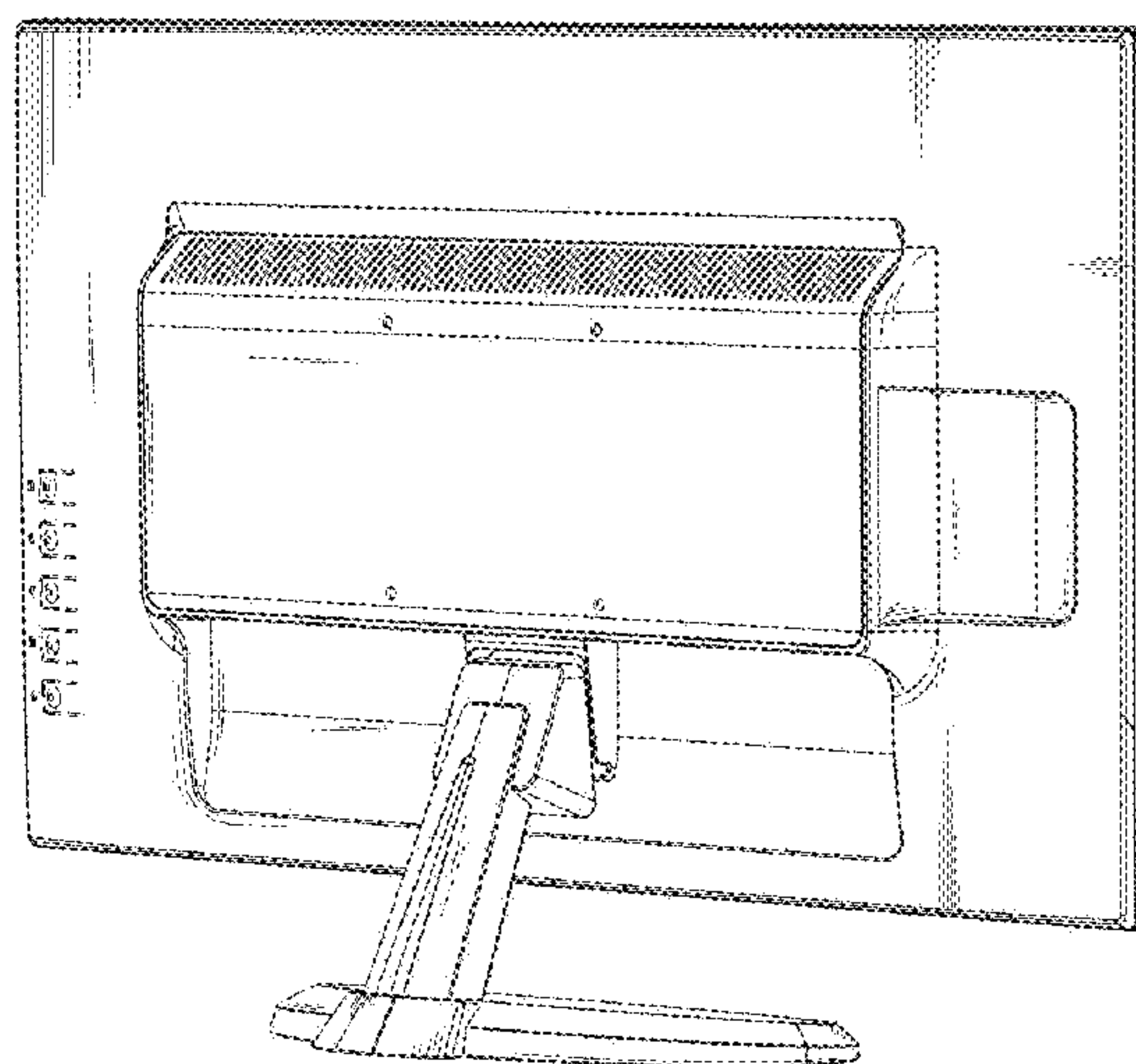
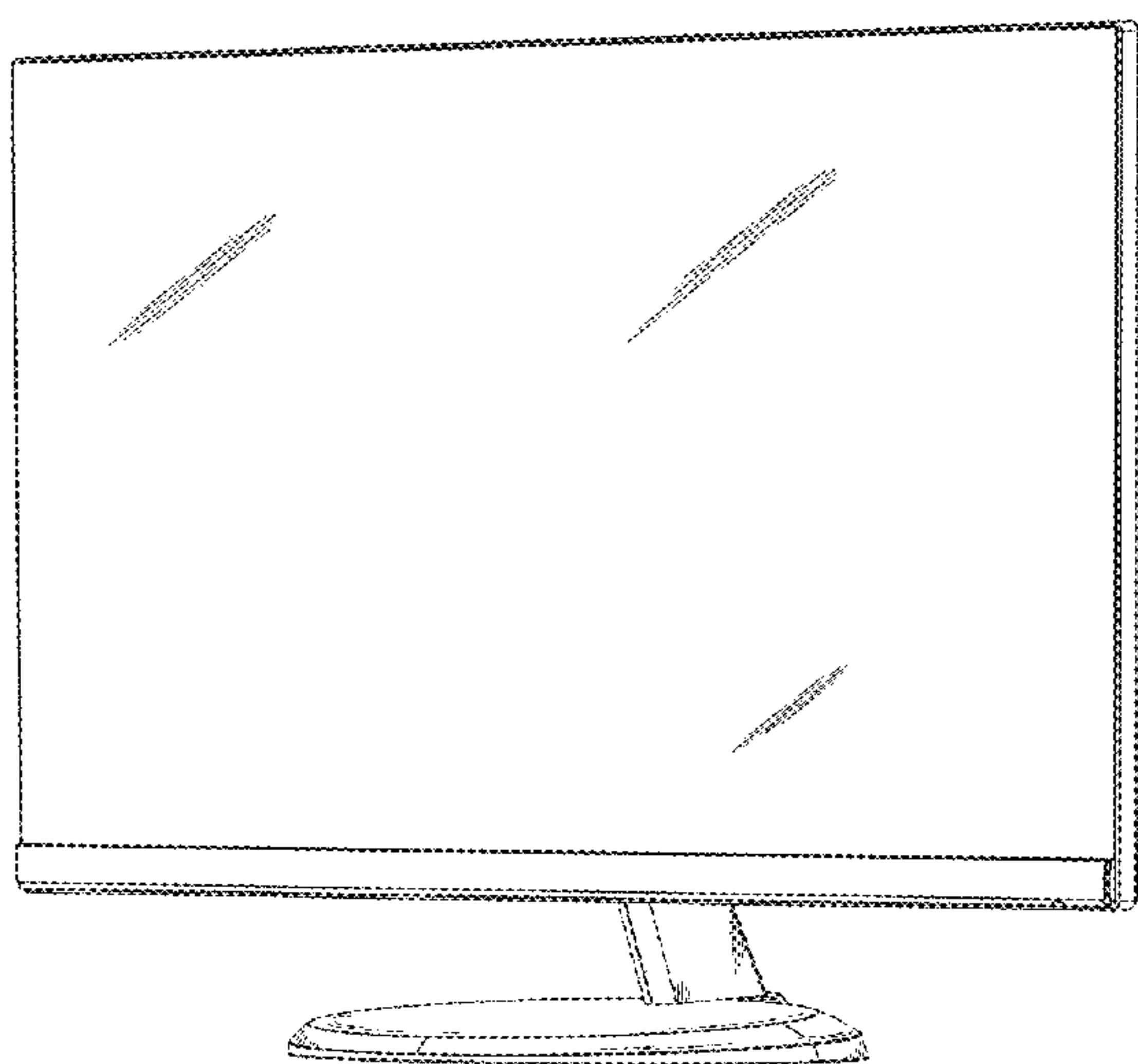
(57) **CLAIM**

The ornamental design for an ultra slim display, as shown and described.

DESCRIPTION

FIG. 1 is a front view of an ultra slim display;
FIG. 2 is a rear view thereof;
FIG. 3 is a left side view thereof;
FIG. 4 is a right side view thereof;
FIG. 5 is a top view thereof;
FIG. 6 is a perspective view thereof; and,
FIG. 7 is another perspective view thereof.
The broken lines shown in the drawings represent environment only and form no part of the claimed design.

1 Claim, 7 Drawing Sheets



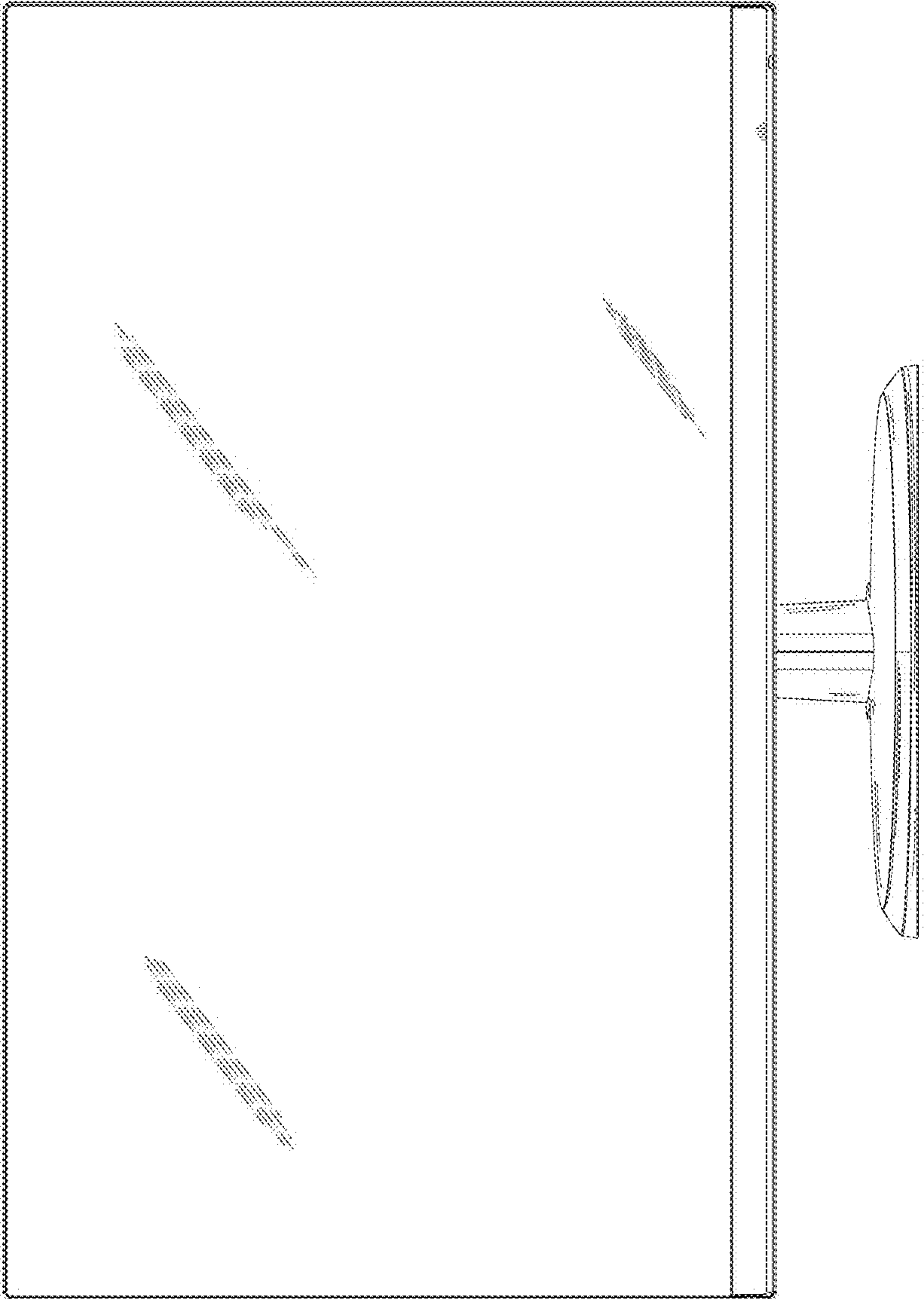


FIG. 1

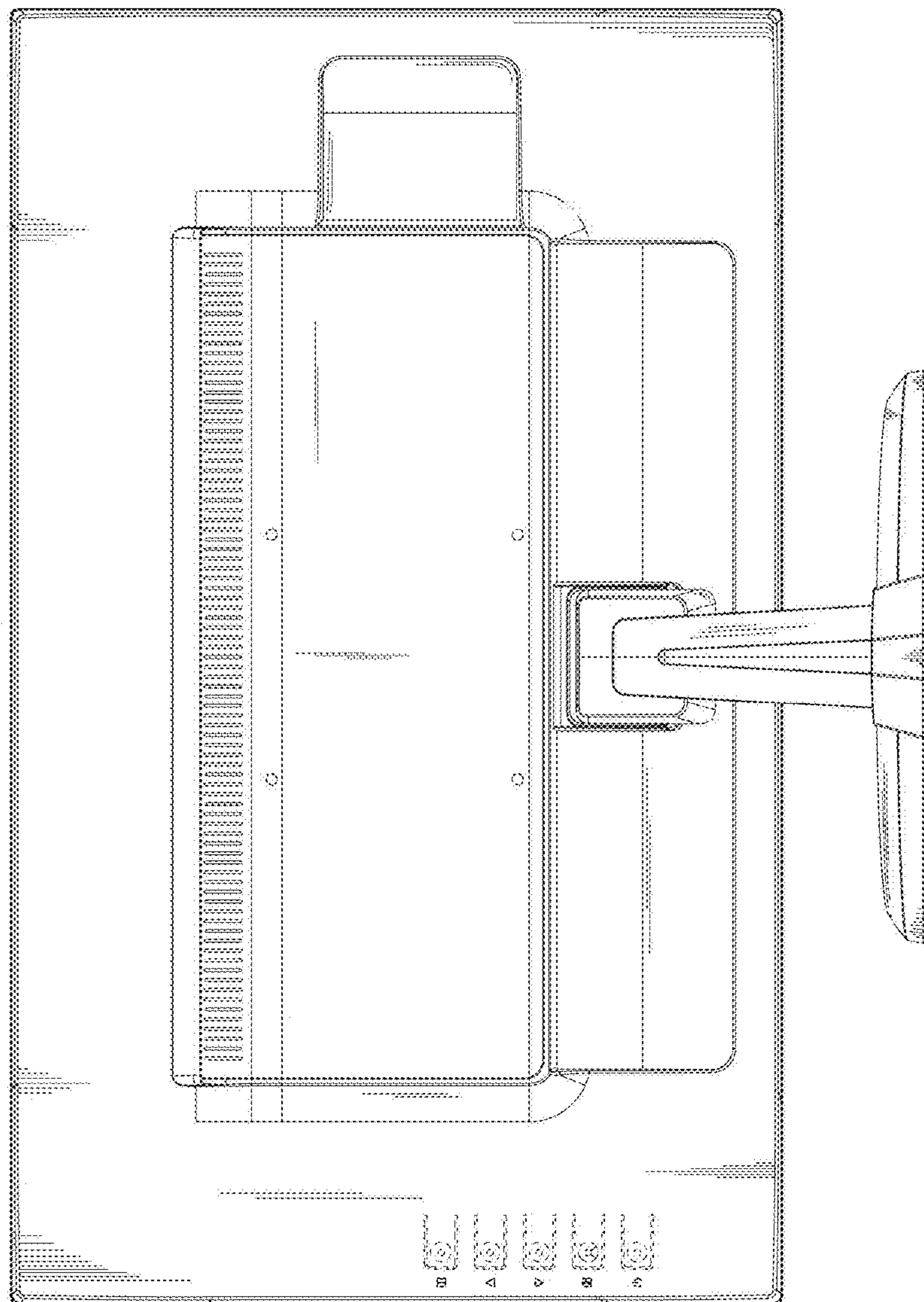


FIG. 2

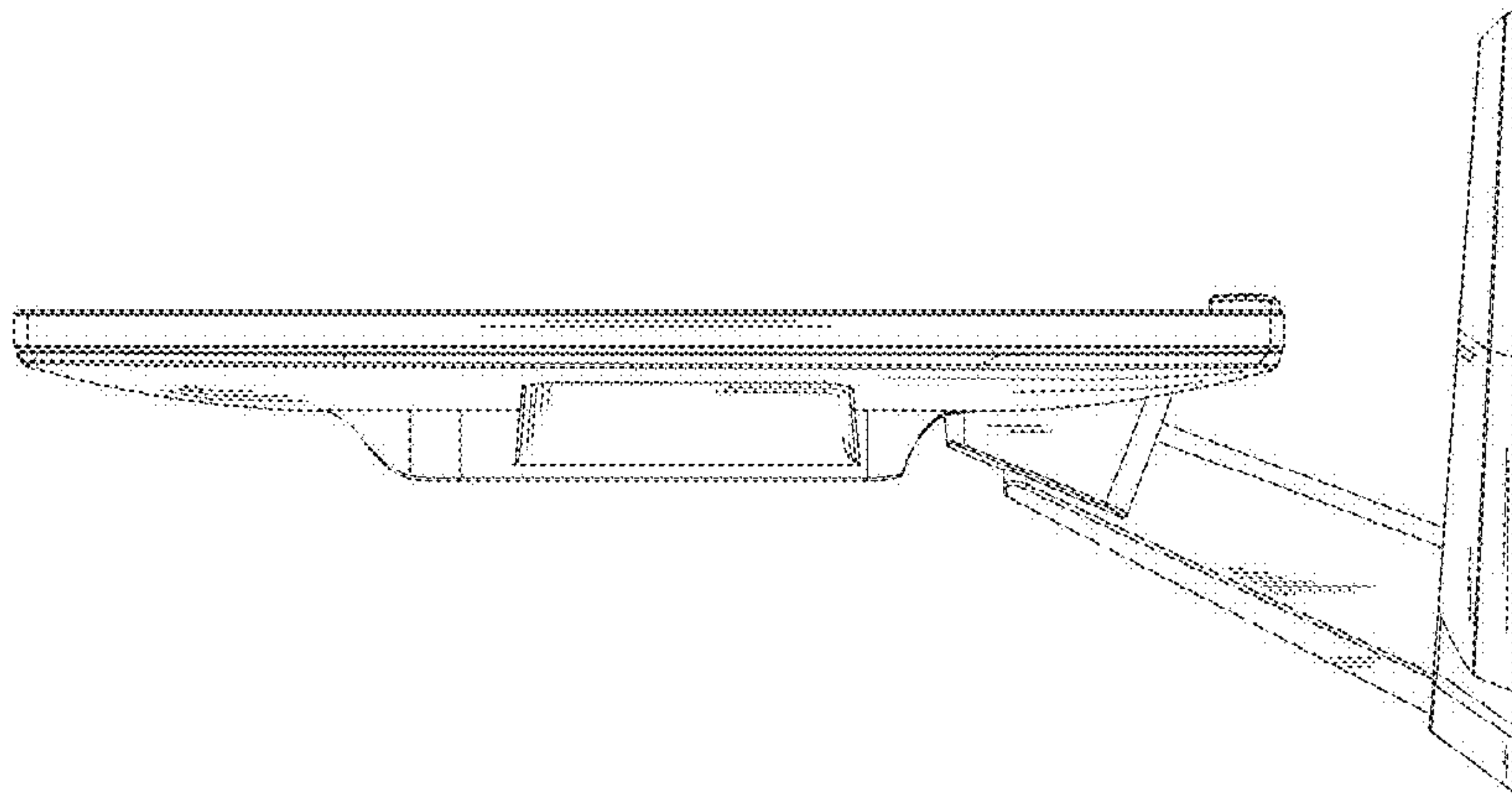


FIG. 3

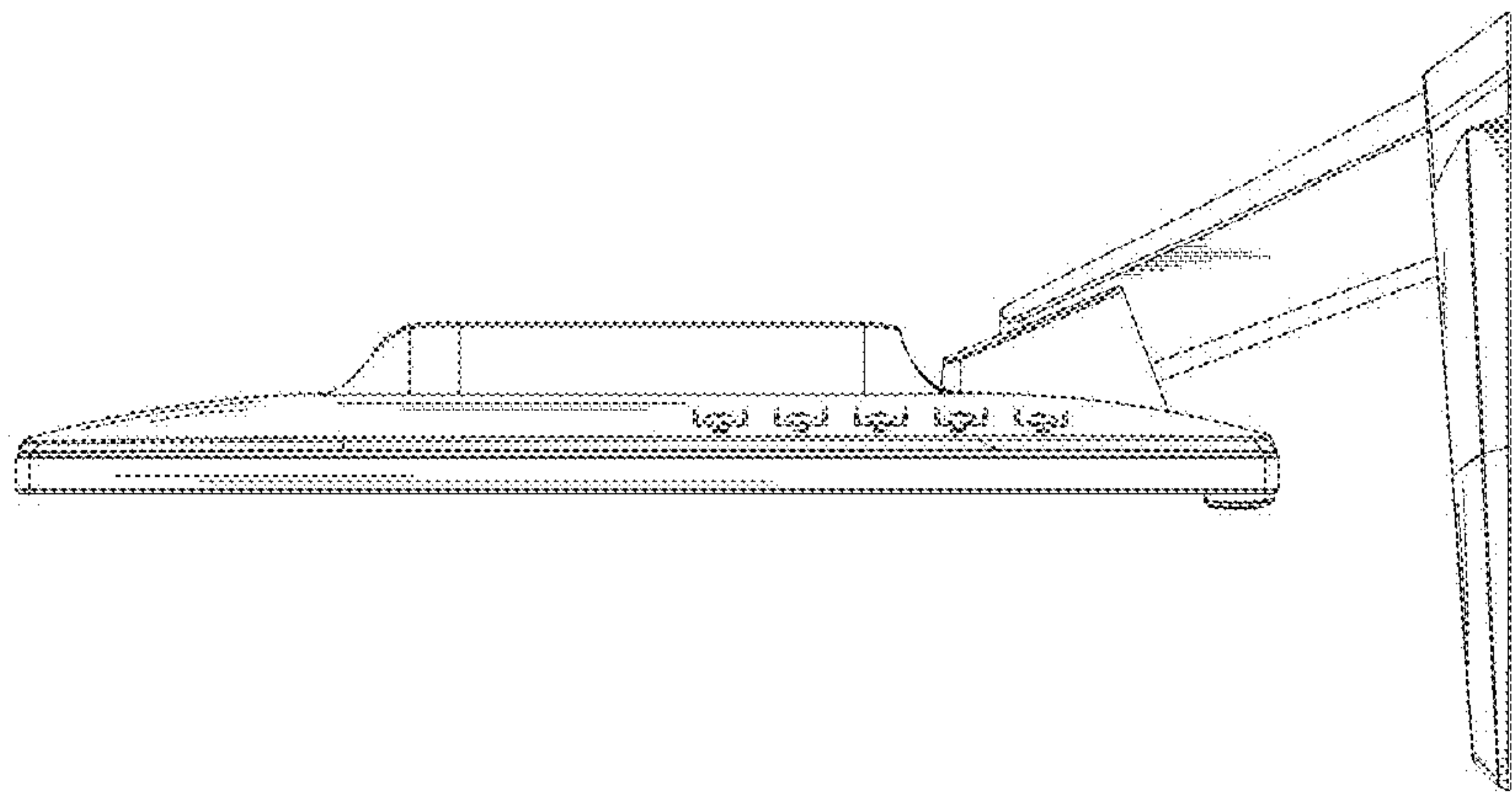


FIG. 4

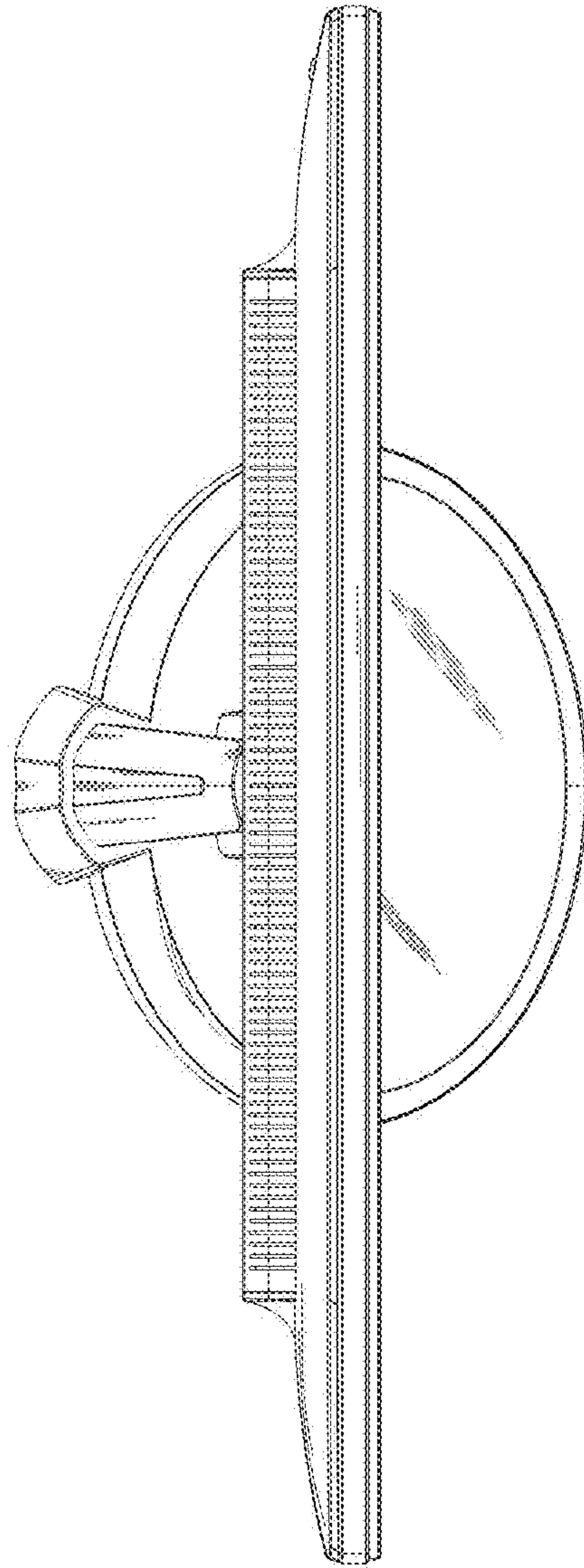


FIG. 5

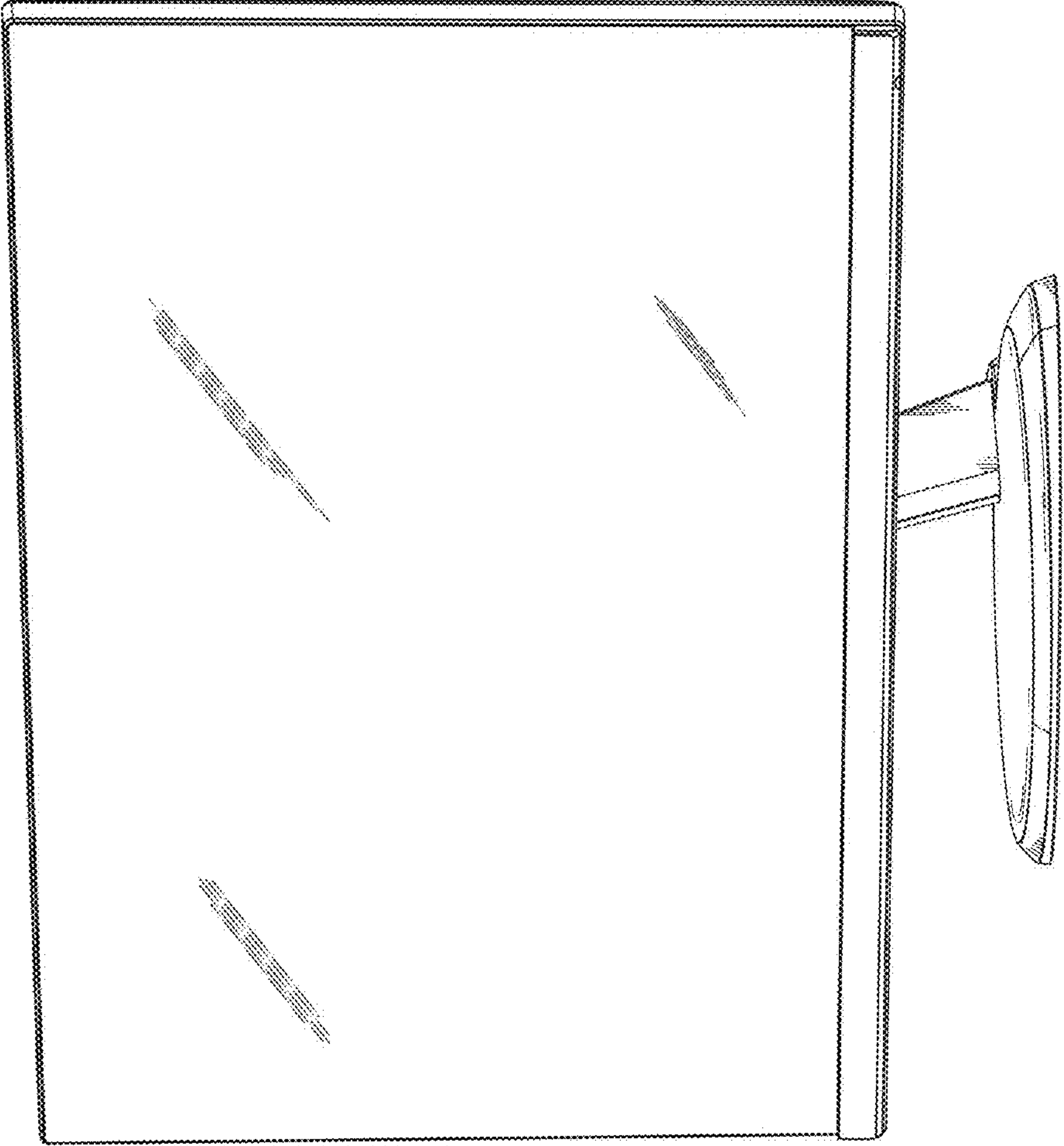


FIG. 6

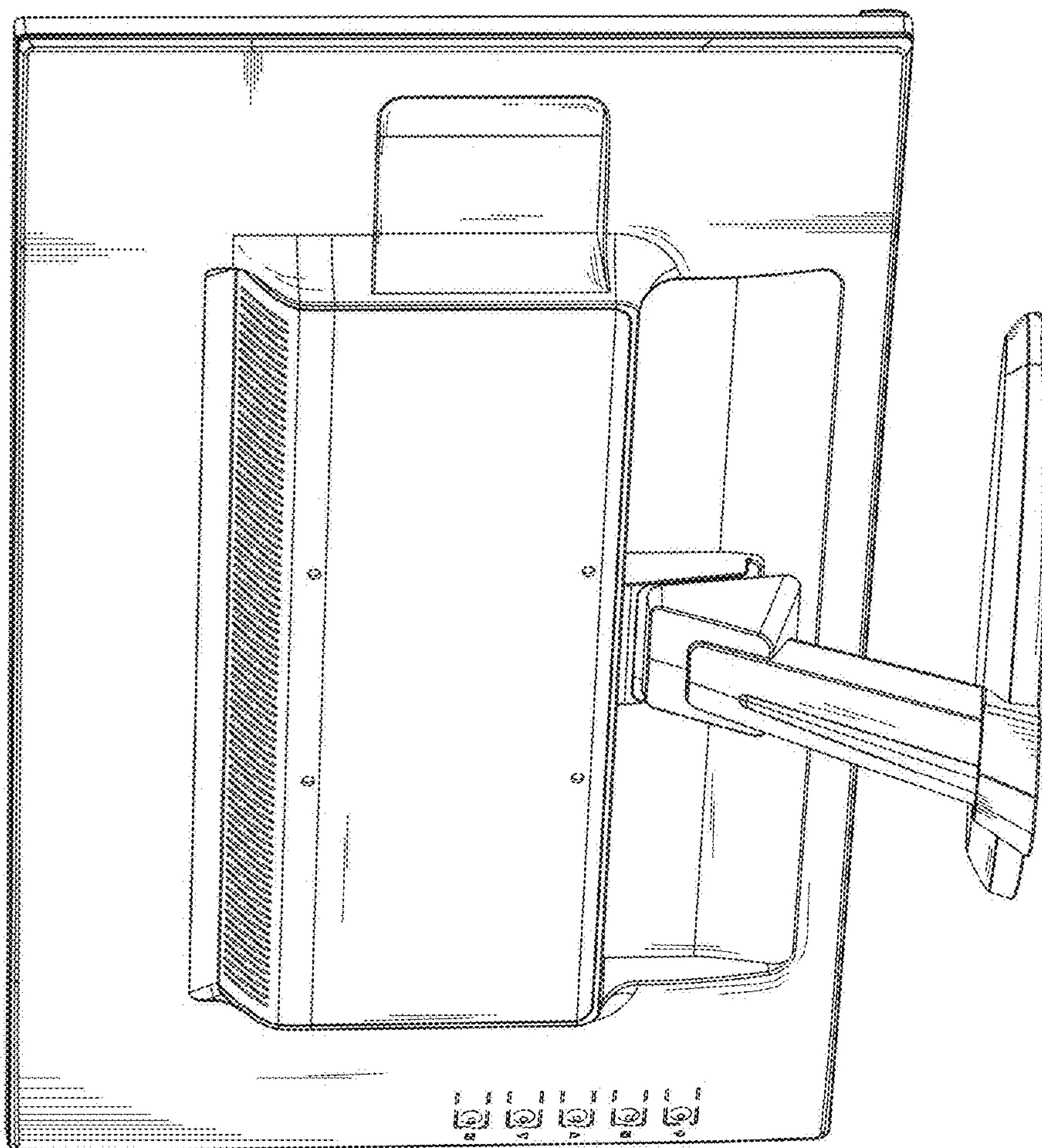


FIG. 7