



US00D752585S

(12) **United States Design Patent**
Zuccarino et al.

(10) **Patent No.:** **US D752,585 S**
(45) **Date of Patent:** **** *Mar. 29, 2016**

(54) **DISPLAY DEVICE WITH CAMERAS**

(71) Applicant: **Aquifi, Inc.**, Palo Alto, CA (US)

(72) Inventors: **Tony Zuccarino**, Saratoga, CA (US);
Abbas Rafii, Palo Alto, CA (US)

(73) Assignee: **Aquifi, Inc.**, Palo Alto, CA (US)

(*) Notice: This patent is subject to a terminal disclaimer.

(**) Term: **14 Years**

(21) Appl. No.: **29/480,801**

(22) Filed: **Jan. 29, 2014**

Related U.S. Application Data

(63) Continuation-in-part of application No. 13/987,323, filed on Jan. 29, 2013, now abandoned.

(51) **LOC (10) Cl.** **14-02**

(52) **U.S. Cl.**
USPC **D14/374**

(58) **Field of Classification Search**
USPC D14/315–327, 371–374, 125–129;
D18/1, 2, 7, 11; 235/145 A, 145 R;
341/22, 23; 345/104, 156, 168, 169,
345/173; 361/679.08, 679.09, 679.11,
361/679.26, 679.27
CPC G06F 1/16; G06F 1/1616; G06F 1/1601;
G06F 3/037; G06F 1/162; G06F 3/01; G06F
3/017; G06F 3/0421; G06F 3/0425; H01R
35/02; H03M 11/00; G09B 13/04; H03K
17/94; F16M 11/10; H04B 7/00

See application file for complete search history.

(56) **References Cited**

U.S. PATENT DOCUMENTS

D420,564 S	2/2000	Willems	
D438,538 S *	3/2001	Ogasawara	D14/317
D442,172 S *	5/2001	Mizuno	D14/317
D455,793 S	4/2002	Lin	
D465,487 S	11/2002	Nagai et al.	
6,480,373 B1 *	11/2002	Landry et al.	361/679.06
D473,228 S	4/2003	Hussaini et al.	

(Continued)

OTHER PUBLICATIONS

Motion sensing laptop (engadget), available Jun. 25, 2010, [online], [site visited May 12, 2015]. Available from internet, <URL: <http://www.engadget.com/2010/06/25/pointgrabs-motion-sensing-tech-coming-to-more-laptops-we-go-ha/>> (2 pages).

(Continued)

Primary Examiner — Freda S Nunn

(74) *Attorney, Agent, or Firm* — Lewis Roca Rothgerber Christie LLP

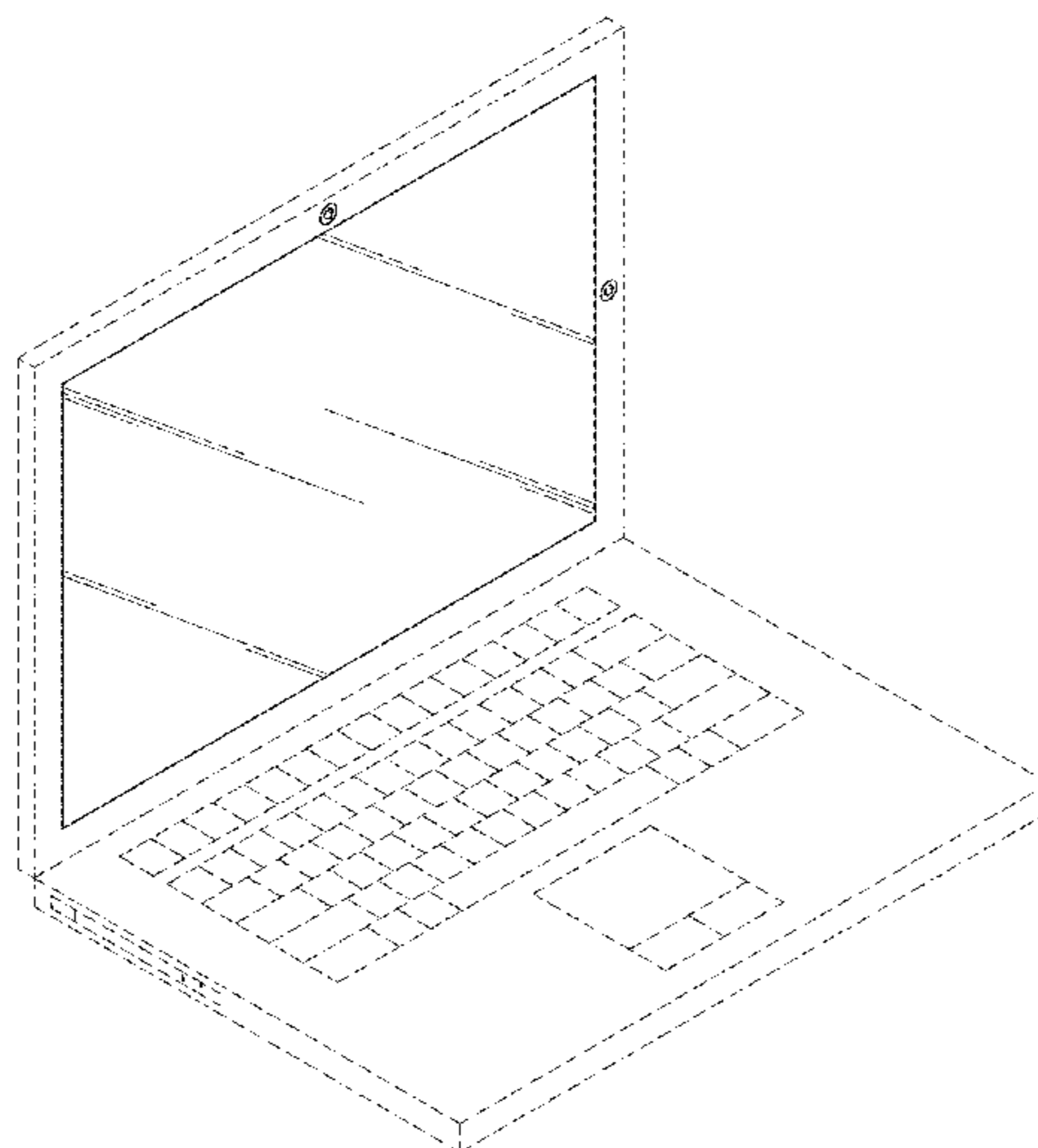
(57) **CLAIM**

The ornamental design for a display device with cameras, as shown and described.

DESCRIPTION

FIG. 1 is a perspective view of a display device with cameras in accordance with our design wherein the display is shown applied to an unclaimed laptop computer;
FIG. 2 is a front view thereof;
FIG. 3 is a perspective view thereof wherein the display is shown applied to an unclaimed computer monitor;
FIG. 4 is a front view thereof;
FIG. 5 is a perspective view thereof wherein the display is shown applied to an unclaimed all-in-one computer;
FIG. 6 is a front view thereof;
FIG. 7 is a perspective view thereof wherein the display is shown applied to an unclaimed tablet computer; and,
FIG. 8 is a front view thereof.
Broken lines shown in the drawings are for environment only and form no part of the claimed design.

1 Claim, 8 Drawing Sheets



(56)

References Cited

U.S. PATENT DOCUMENTS

D476,326 S 6/2003 Tanimura
 D478,128 S 8/2003 Hussaini et al.
 D494,168 S 8/2004 Hammond et al.
 D494,968 S 8/2004 Yonekawa et al.
 D501,327 S 2/2005 Keigley
 D507,567 S 7/2005 Yonekawa et al.
 D517,543 S 3/2006 Nakajima et al.
 D531,177 S 10/2006 Okanoya et al.
 D555,666 S 11/2007 Hussaini et al.
 D559,245 S 1/2008 Iseki
 D559,247 S 1/2008 Kawase
 D565,045 S 3/2008 Wu et al.
 D566,113 S 4/2008 Morooka et al.
 D570,343 S 6/2008 Yamada
 D570,344 S 6/2008 Isonaga
 D574,808 S 8/2008 Shintani
 D582,873 S 12/2008 Miyata
 D586,798 S * 2/2009 Tanaka et al. D14/315
 D589,487 S 3/2009 Park et al.
 D597,046 S 7/2009 Millora
 D599,566 S * 9/2009 Chu D6/308
 D600,250 S 9/2009 Nagata
 D602,935 S * 10/2009 Kettula et al. D14/371
 7,620,425 B2 * 11/2009 Ju 455/566
 D614,616 S * 4/2010 Denhez et al. D14/315
 D621,824 S * 8/2010 Andre D14/315
 D633,063 S 2/2011 Hachiya et al.
 D635,540 S 4/2011 Kim et al.
 D641,751 S 7/2011 Morton et al.
 D643,011 S 8/2011 Park et al.
 D645,040 S 9/2011 Morton et al.
 D645,041 S 9/2011 Morton et al.
 8,135,437 B2 3/2012 Okuda
 D667,827 S * 9/2012 Park et al. D14/374
 8,266,529 B2 * 9/2012 Ooi et al. G06F 3/03547
 715/702

D677,661 S * 3/2013 Hirano et al. D14/374
 D682,272 S * 5/2013 Kim et al. D14/374
 8,542,186 B2 * 9/2013 Alameh G06F 1/1694
 324/115
 D692,425 S * 10/2013 Kubota et al. D14/374
 D692,877 S 11/2013 Zuege
 D719,566 S 12/2014 Chen et al.
 D721,075 S 1/2015 Toda et al.
 D729,238 S 5/2015 Song
 2005/0083314 A1 4/2005 Shalit et al.
 2010/0297946 A1 * 11/2010 Alameh H04M 1/7253
 455/41.3
 2012/0062558 A1 3/2012 Lee et al.
 2012/0206339 A1 8/2012 Dahl
 2013/0005410 A1 1/2013 Ogatsu
 2013/0176258 A1 7/2013 Dahl et al.
 2014/0157206 A1 6/2014 Ovsiannikov et al.
 2014/0200080 A1 7/2014 Kim
 2015/0009119 A1 1/2015 Zuccarino et al.
 2015/0062087 A1 3/2015 Cho et al.

OTHER PUBLICATIONS

Samsung Input Recognition (via Tablet News), available Jul. 14, 2014, [online], [site visited Jun. 25, 2015]. Available from internet, <URL: <http://tablet-news.com/2014/07/14/samsung-files-for-patent-on-brand-new-galaxy-note-feature-pen-input-recognition-with-ultrasonic-sensors/>> (1 page).
 Specialty Holder, available May 5, 2013, [online], [site visited May 7, 2015]. Available from internet, <URL: <http://www.bantertoys.com.au/categories/trading-cards-collectibles/ultra-pro/ultra-pro-specialty-holders-1-card-screwdown-black-frame>> (1 page).
 U.S. Office action dated Jul. 7, 2015, for related U.S. Appl. No. 29/480,804, noting listed references in this IDS (12 pages).
 U.S. Office action dated Jul. 17, 2015, for related U.S. Appl. No. 29/480,783, noting listed references in this IDS (12 pages).

* cited by examiner

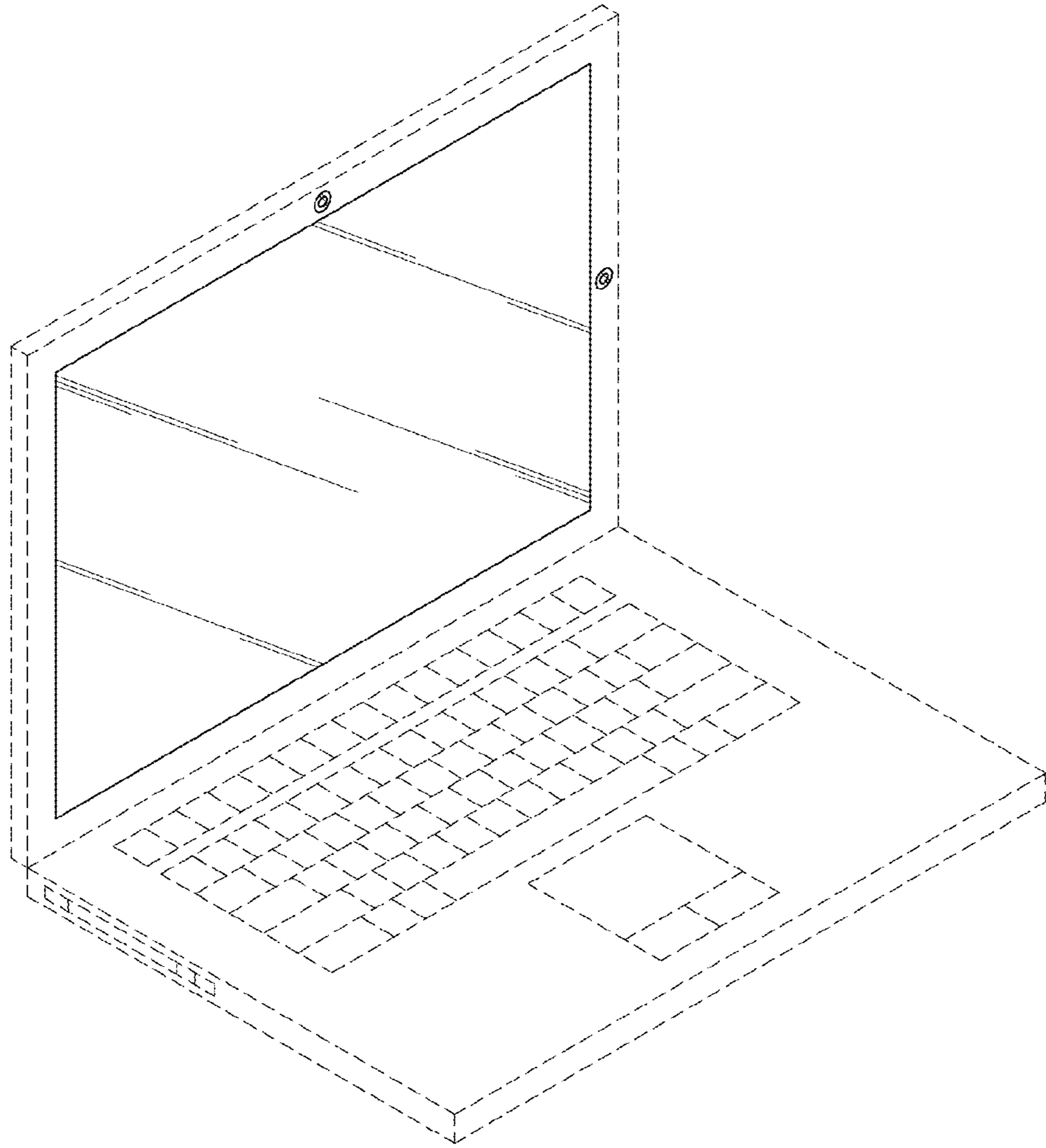


FIG. 1

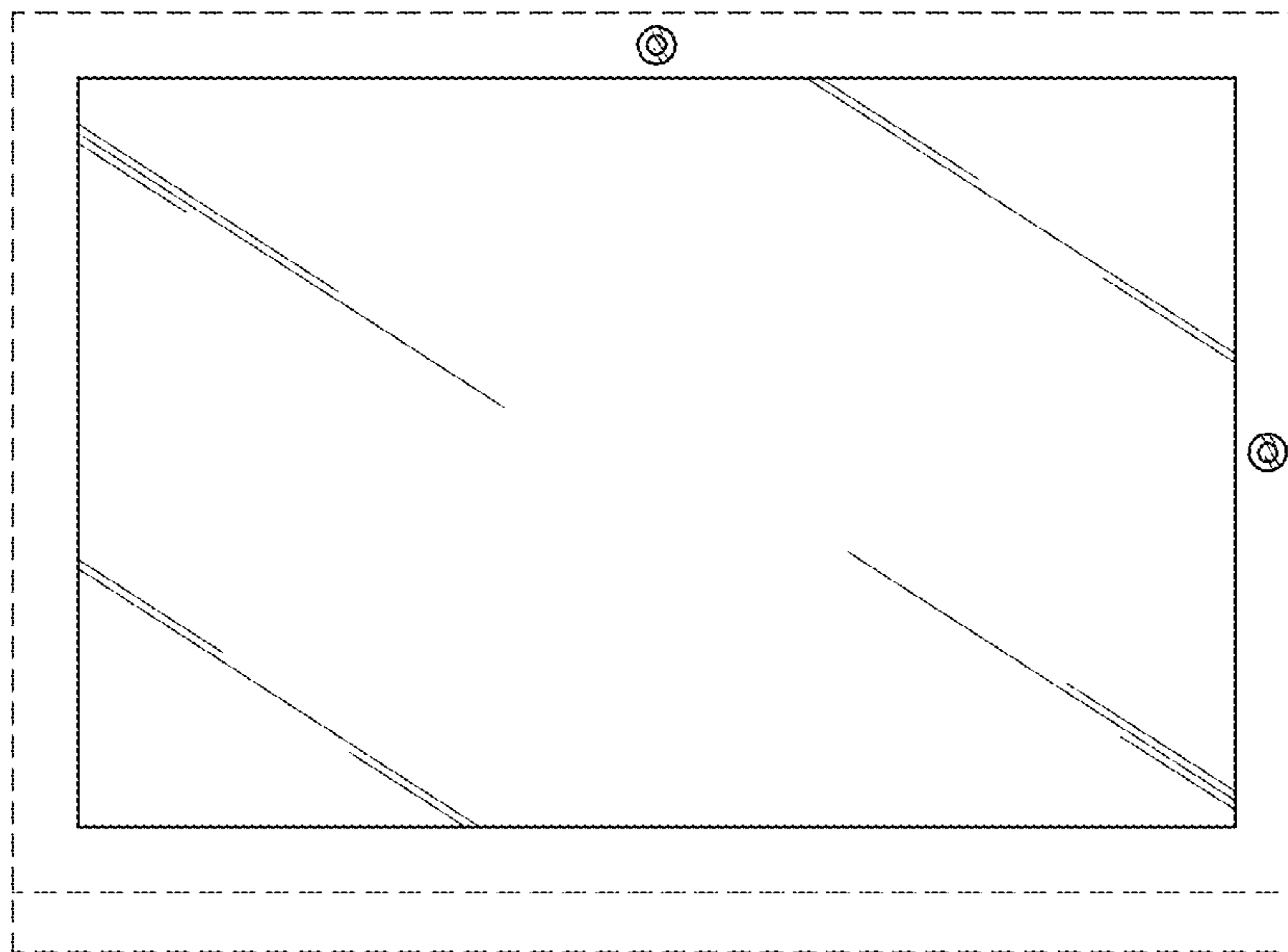
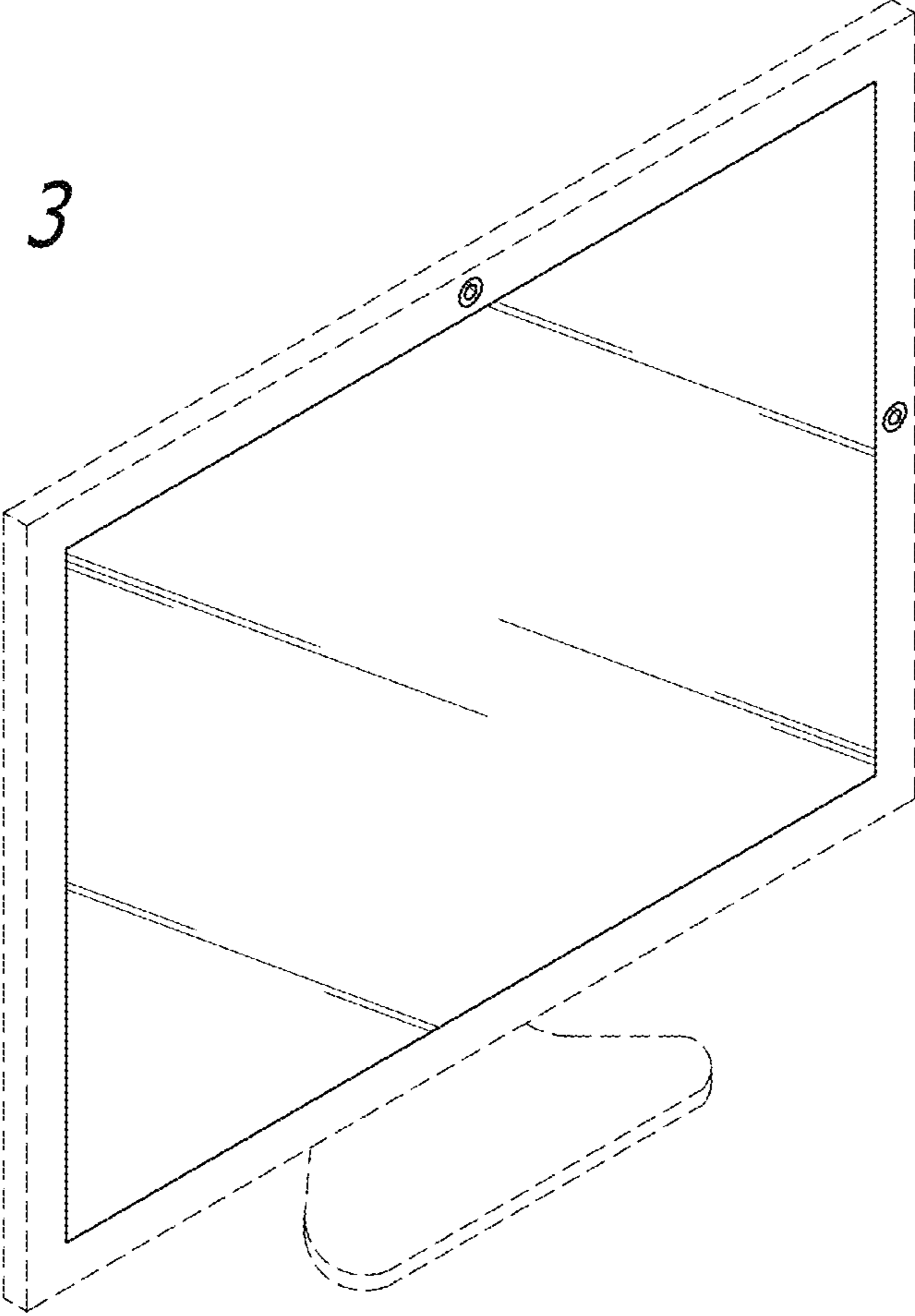


FIG. 2

FIG. 3



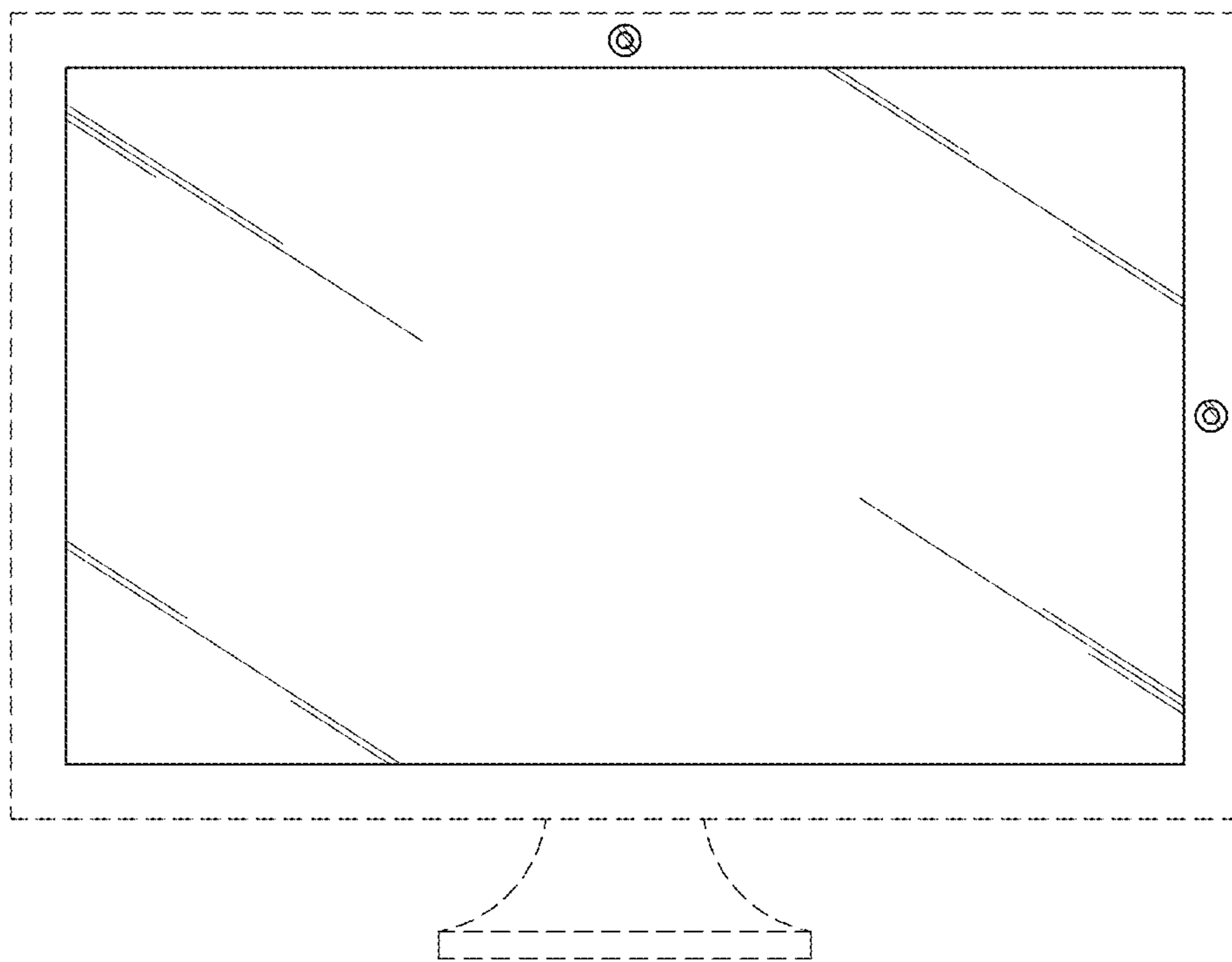


FIG. 4

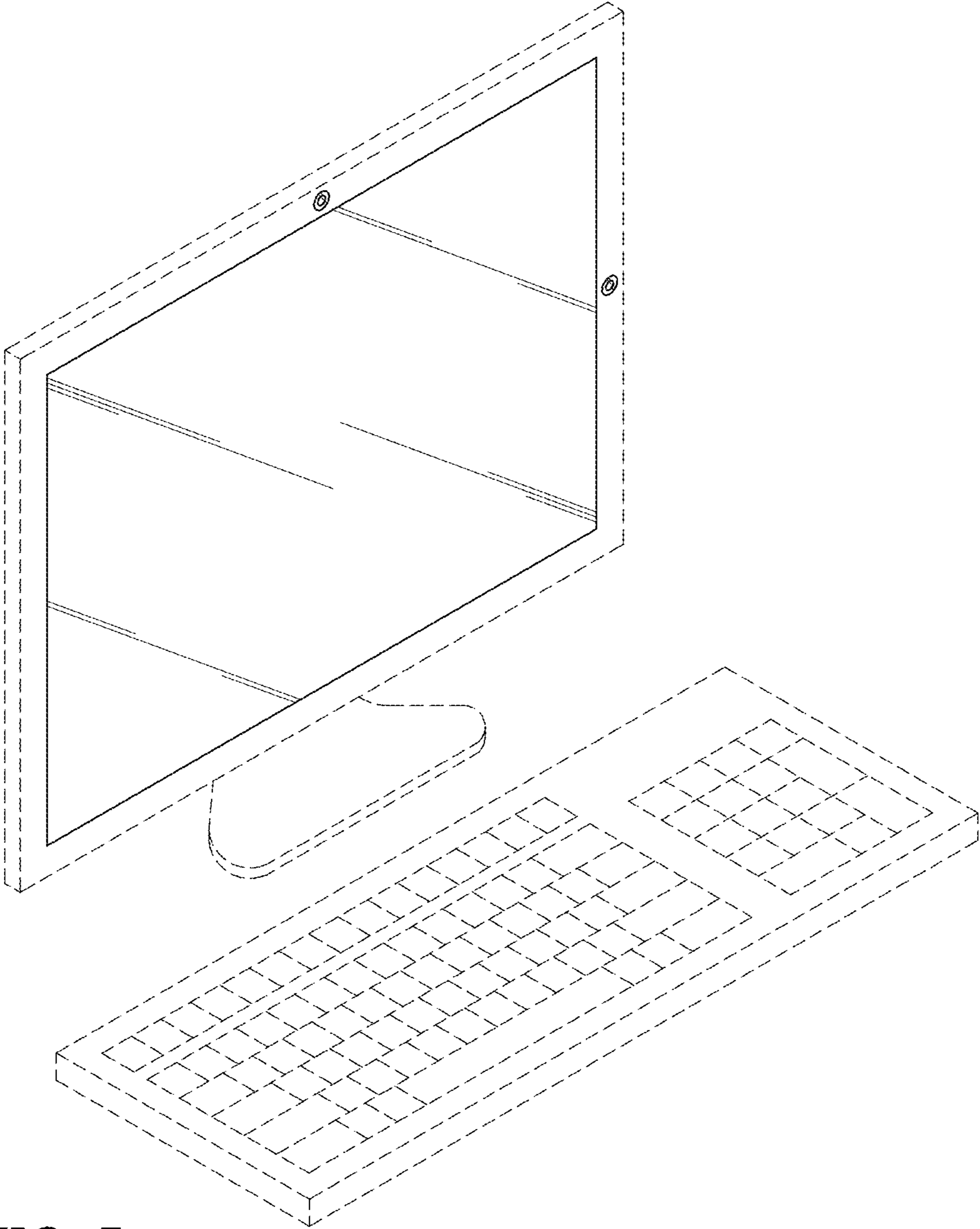


FIG. 5

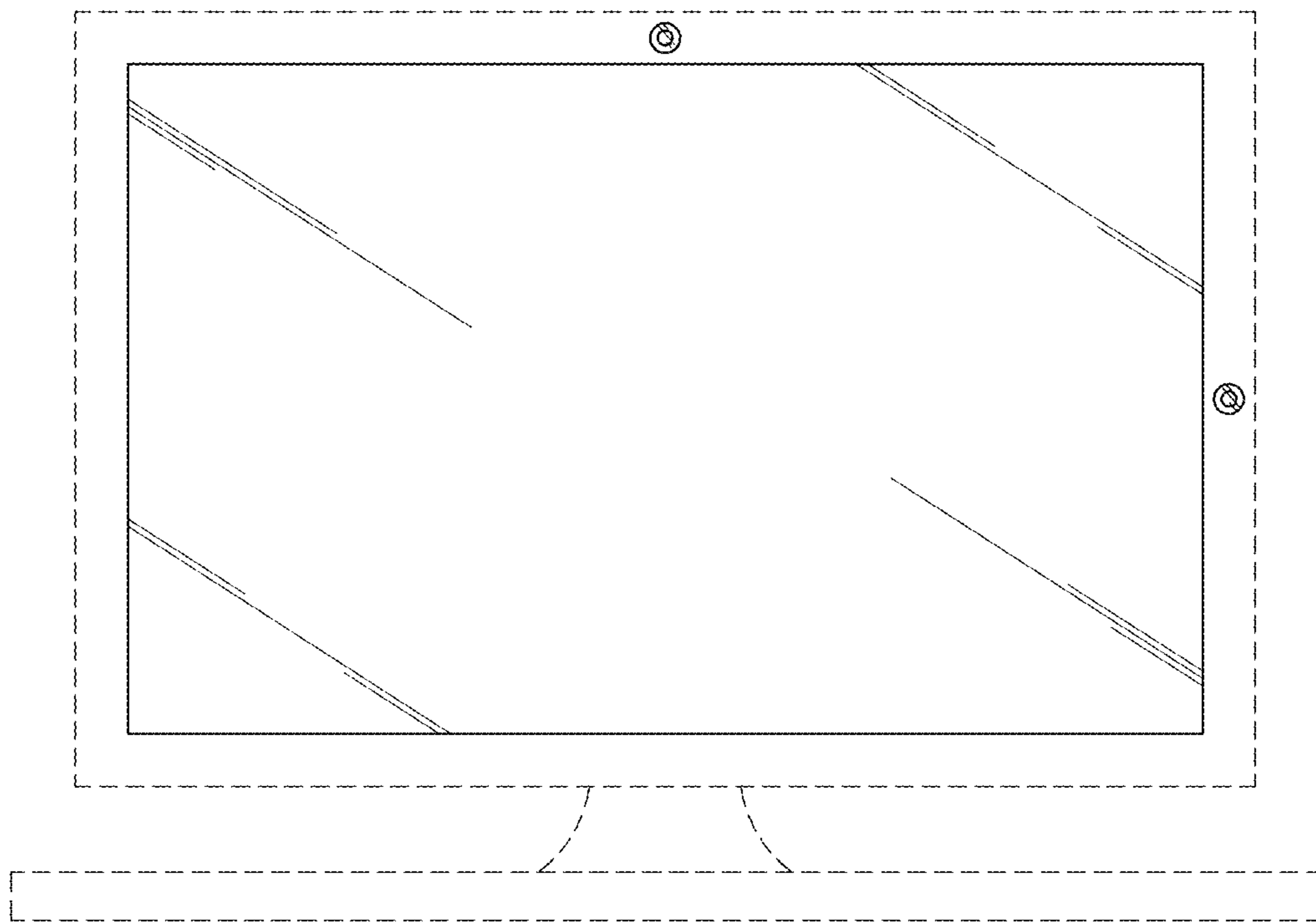
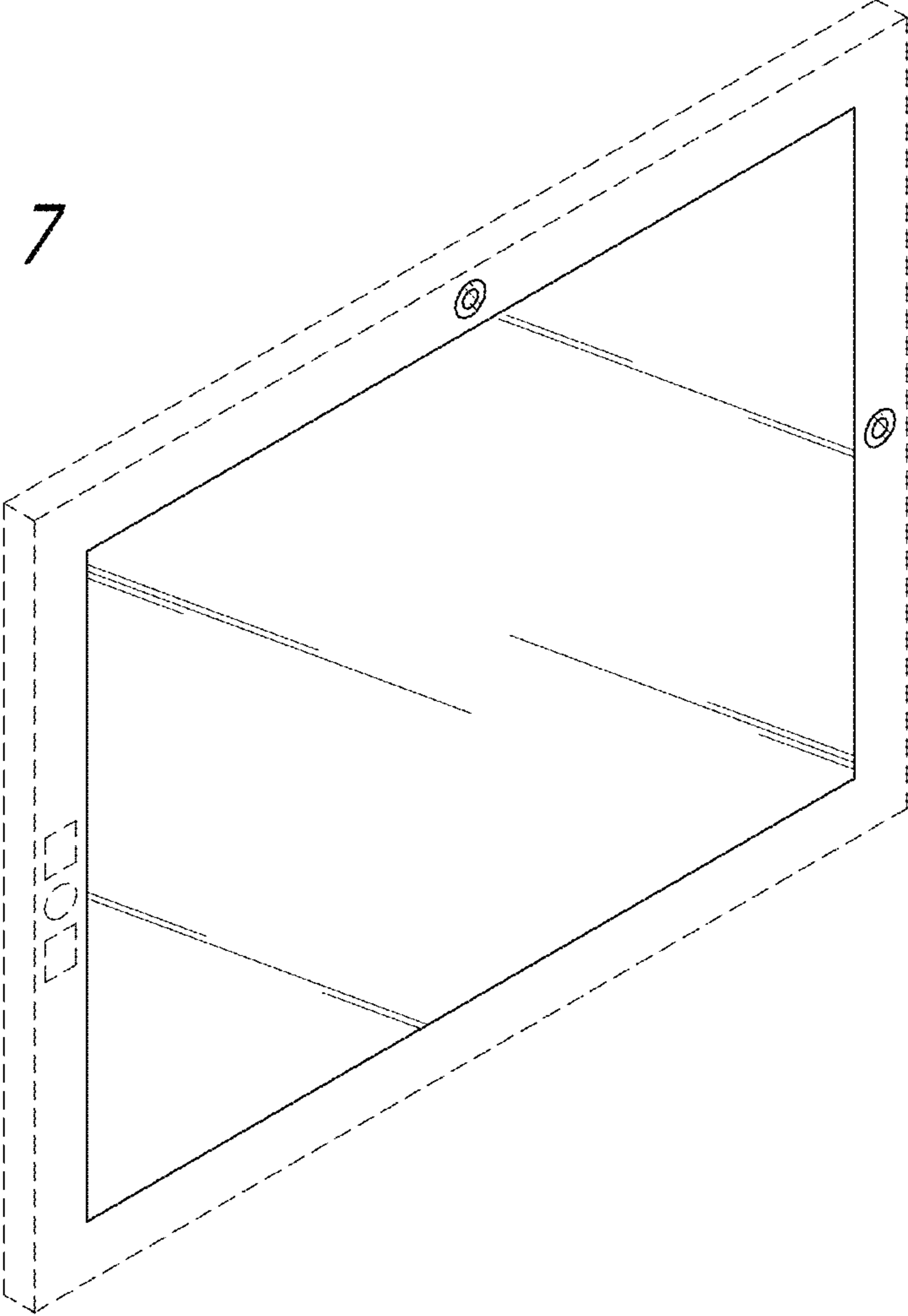


FIG. 6

FIG. 7



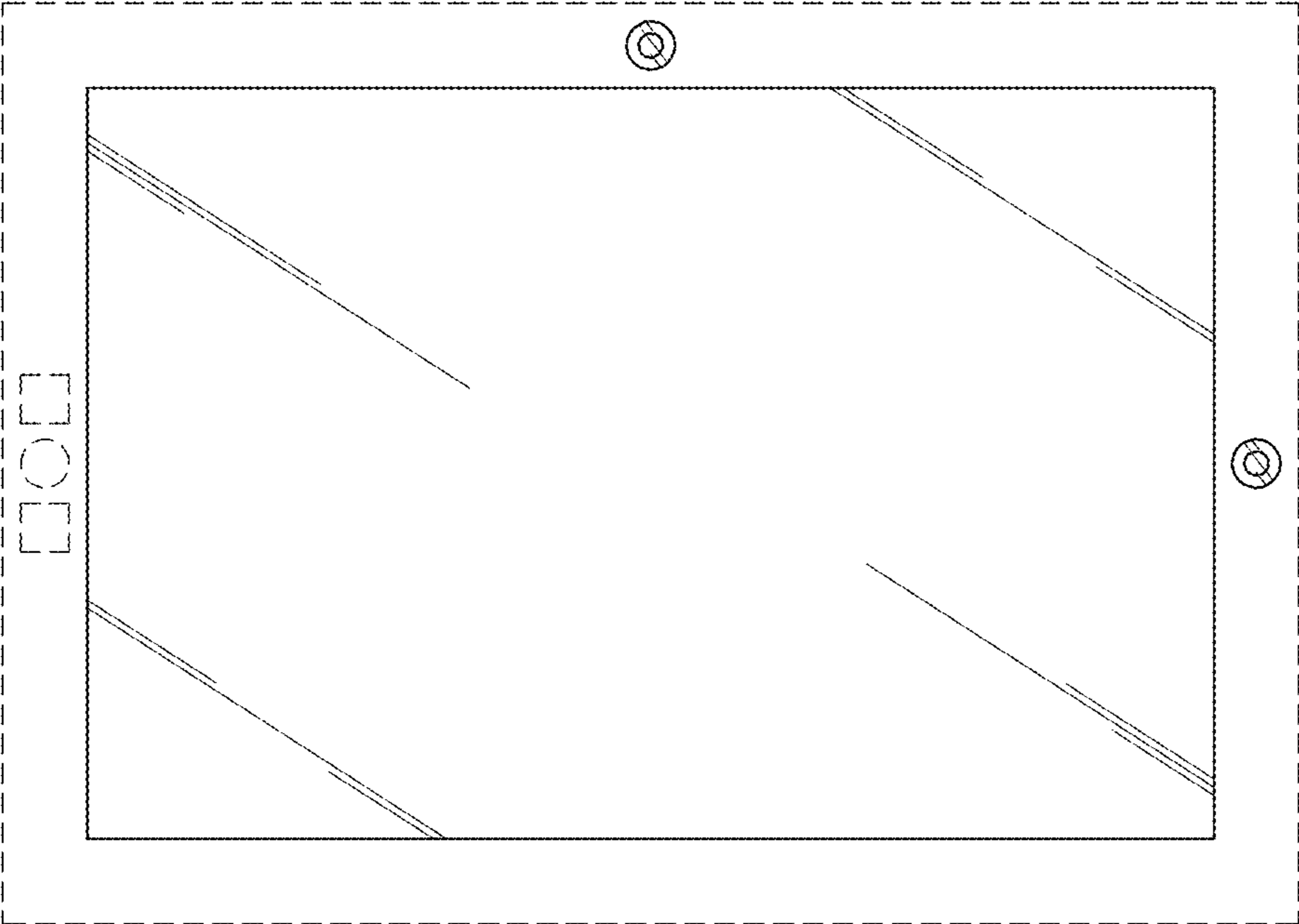


FIG. 8