



US00D752584S

(12) **United States Design Patent**
Yagi

(10) **Patent No.:** **US D752,584 S**
(45) **Date of Patent:** **** Mar. 29, 2016**

(54) **DISPLAY DEVICE**

(71) Applicant: **FUNAI ELECTRIC CO., LTD.**, Osaka (JP)

(72) Inventor: **Hidekazu Yagi**, Osaka (JP)

(73) Assignee: **Funai Electric Co., Ltd.**, Osaka (JP)

(**) Term: **14 Years**

(21) Appl. No.: **29/471,018**

(22) Filed: **Oct. 28, 2013**

(30) **Foreign Application Priority Data**

Sep. 2, 2013 (JP) 2013-020214

(51) **LOC (10) Cl.** **14-02**

(52) **U.S. Cl.**
USPC **D14/371**

(58) **Field of Classification Search**
USPC D14/371-375, 125-129, 336, 337;
341/12; 345/104, 156, 168, 173;
348/180, 184, 325, 739; 349/1, 2, 11,
349/62; 361/679.05-679.07, 679.21;
D6/300, 308

See application file for complete search history.

(56) **References Cited**

U.S. PATENT DOCUMENTS

D572,676 S *	7/2008	Niitsu	D14/126
D603,816 S *	11/2009	Kim et al.	D14/126
D605,149 S *	12/2009	Kim et al.	D14/126
D615,511 S *	5/2010	Shin et al.	D14/126
D620,903 S *	8/2010	Song et al.	D14/126
D626,926 S *	11/2010	Peng	D14/126
D657,326 S *	4/2012	Kim et al.	D14/126

* cited by examiner

Primary Examiner — Freda S Nunn

(74) *Attorney, Agent, or Firm* — Morgan, Lewis & Bockius LLP

(57) **CLAIM**

The ornamental design for a display device, as shown and described.

DESCRIPTION

FIG. 1 is a perspective view of a display device according to the new design;
 FIG. 2 is a rear view of the display device according to the new design;
 FIG. 3 is a right side view of the display device according to the new design;
 FIG. 4 is a left side view of the display device according to the new design;
 FIG. 5 is a top view of the display device according to the new design;
 FIG. 6 is a bottom view of the display device according to the new design;
 FIG. 7 is a front view of the display device according to the new design;
 FIG. 8 is an enlarged sectional view taken along line 8-8 in FIG. 7 according to the design;
 FIG. 9 is a partially enlarged sectional view taken along line 9-9 in FIG. 8 according to the design;
 FIG. 10 is a sectional view taken along line 10-10 in FIG. 7 according to the design;
 FIG. 11 is a partially enlarged sectional view taken along line 11-11 in FIG. 10 according to the design;
 FIG. 12 is a bottom view of the display device with the stand removed according to the new design; and,
 FIG. 13 is an enlarged view of a bottom portion of FIG. 1. The evenly dashed broken lines in the figures illustrate the portion of the design that forms no part of the claim.

1 Claim, 11 Drawing Sheets

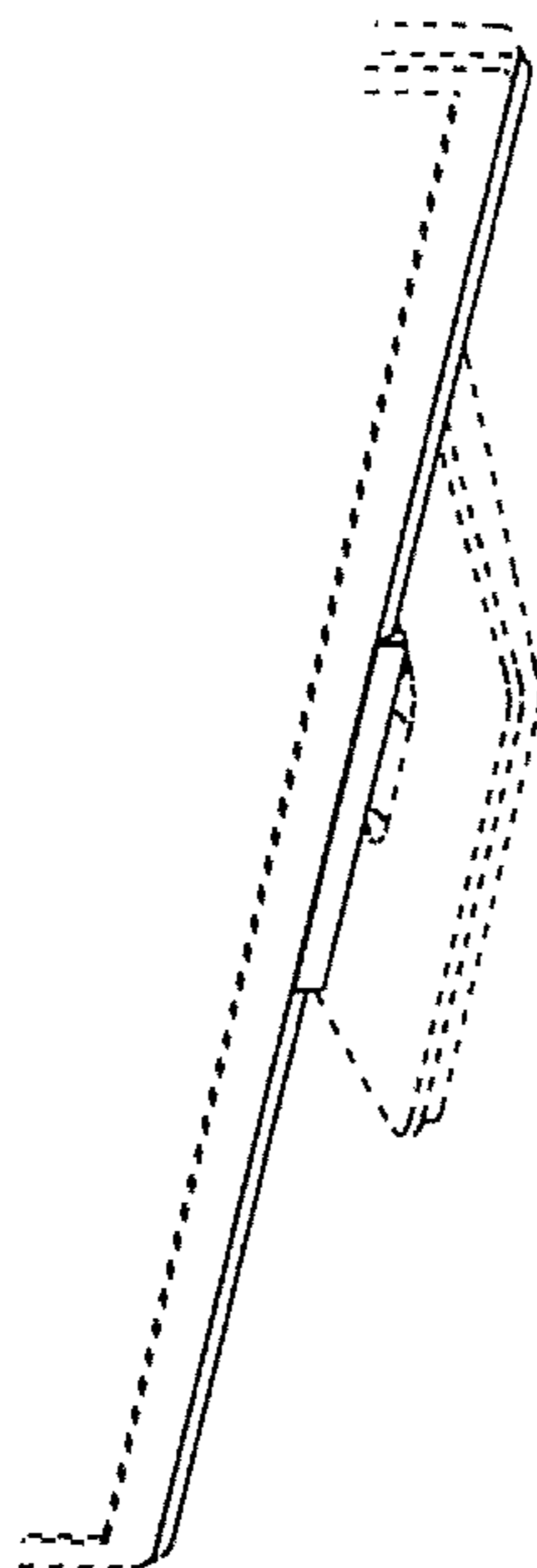


Fig.1

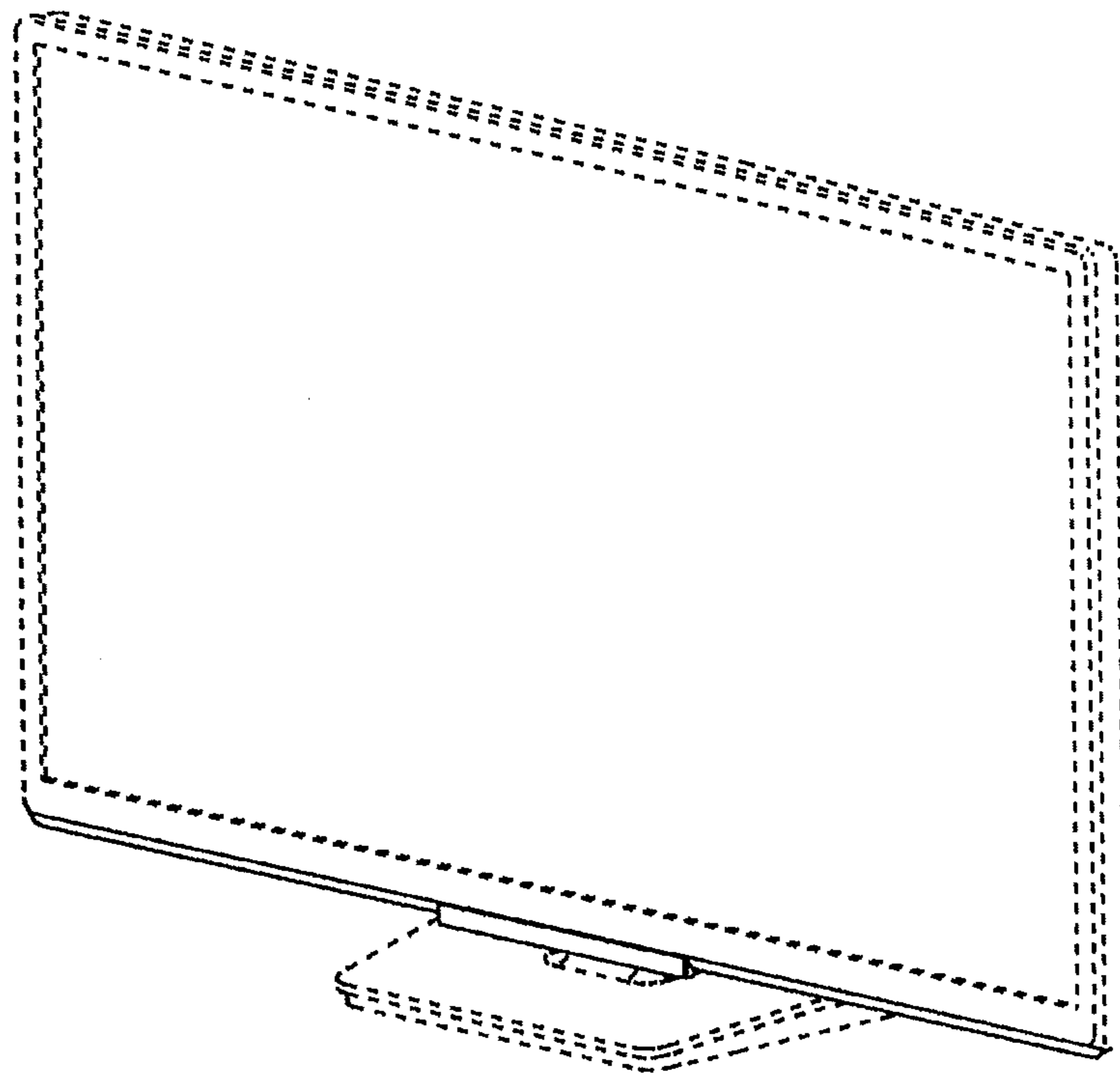


Fig.2

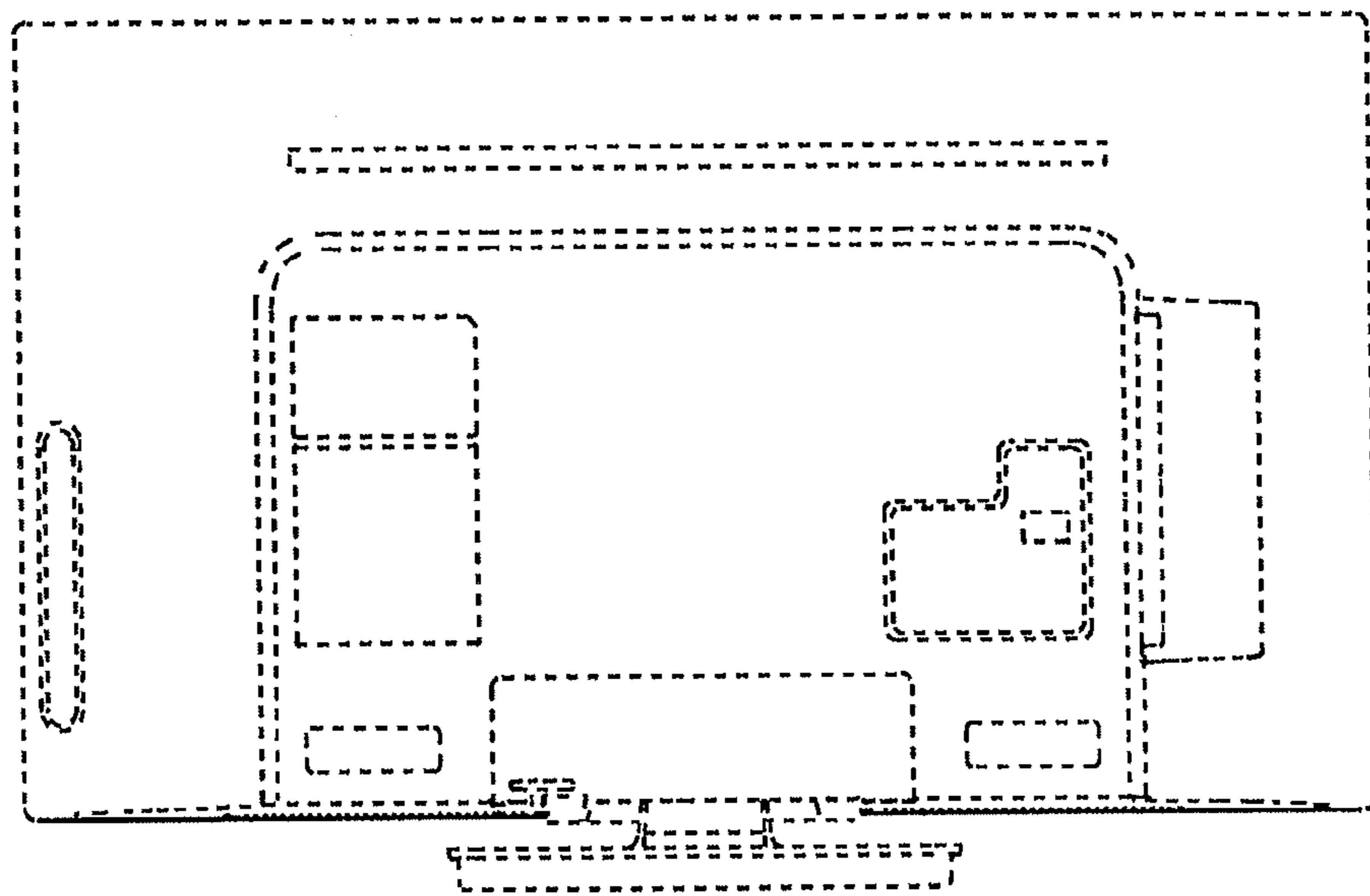


Fig.3

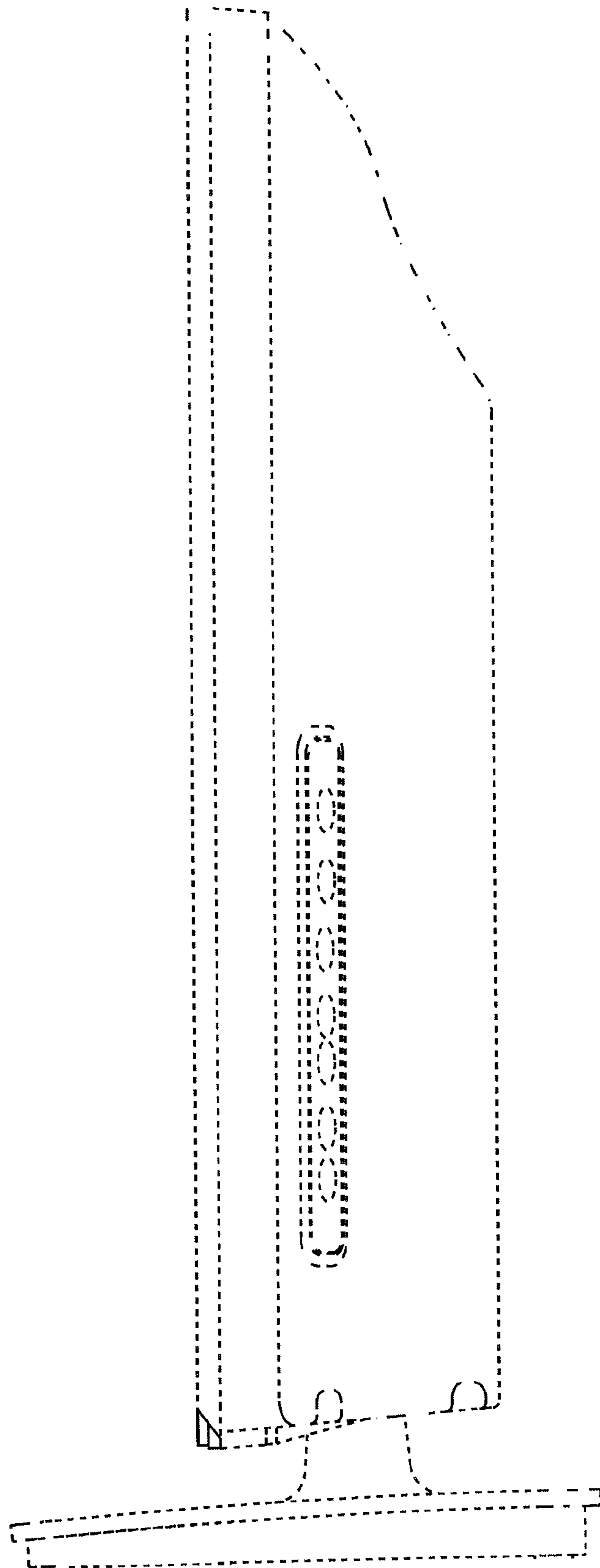


Fig.4

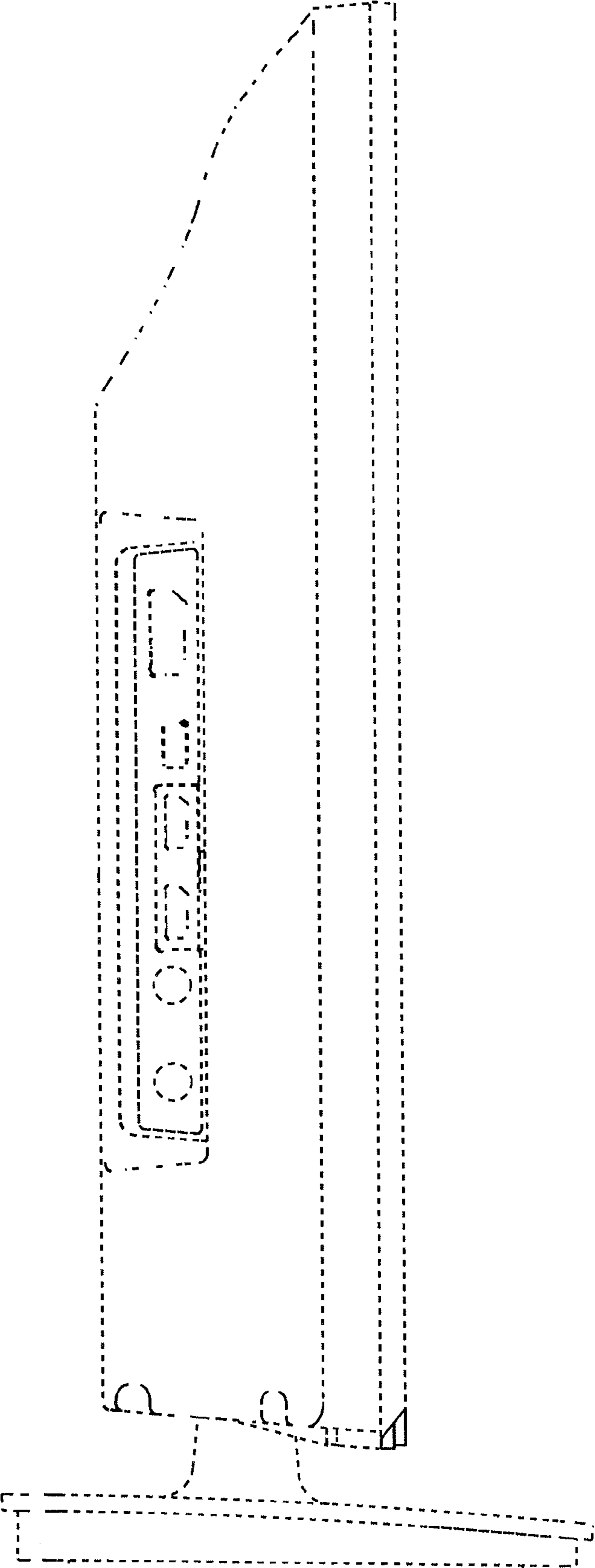


Fig.5

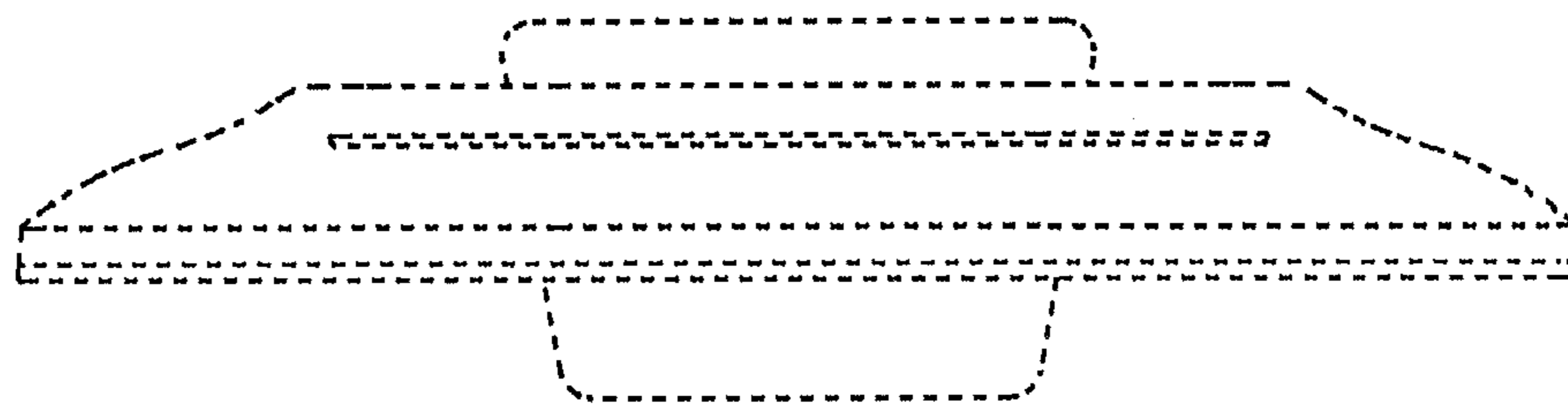


Fig.6

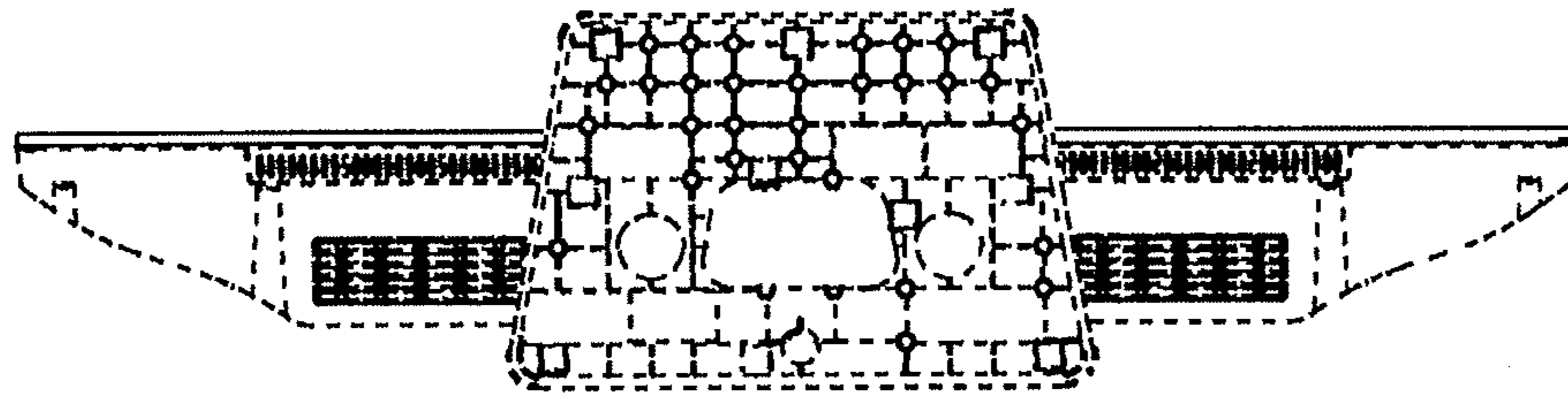


Fig.7

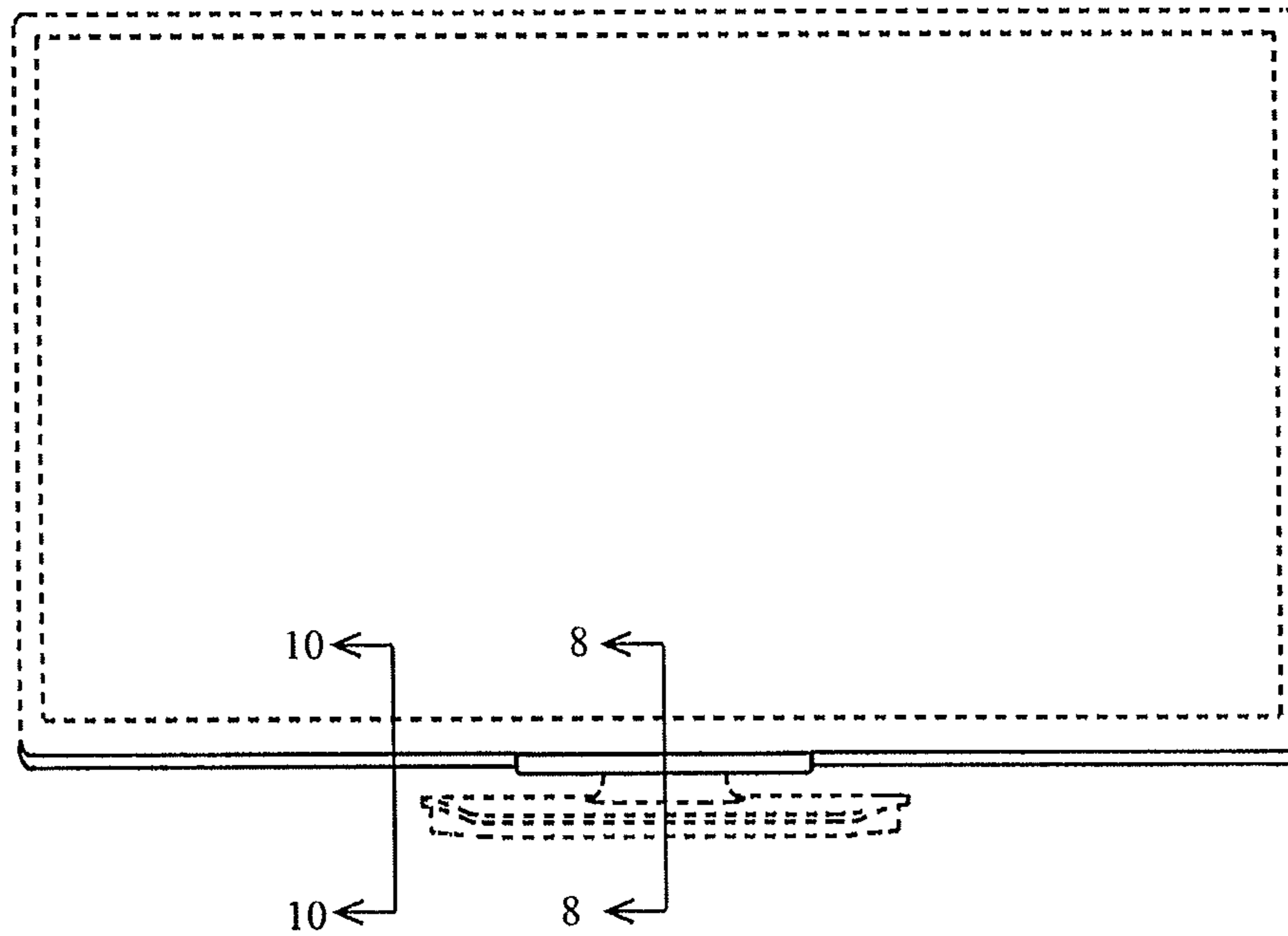


Fig.8

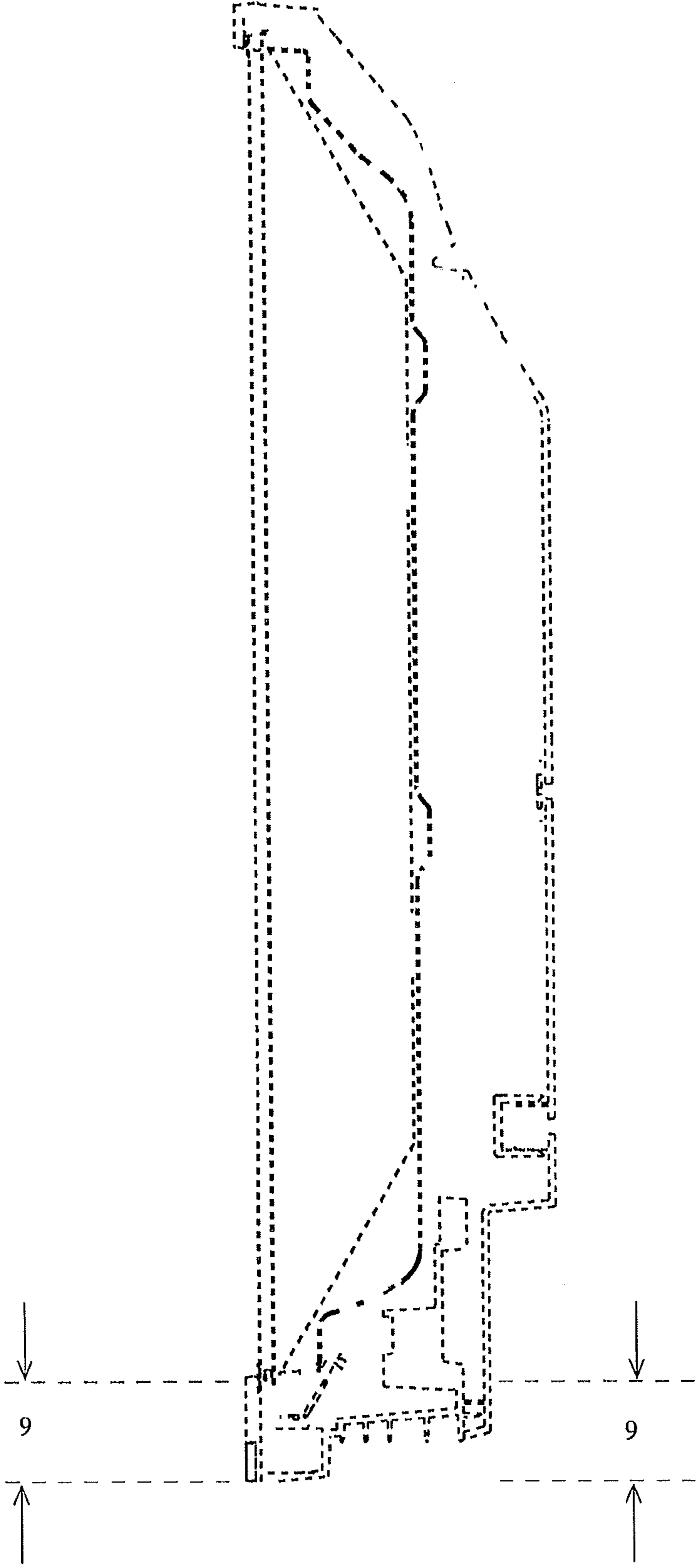


Fig.9

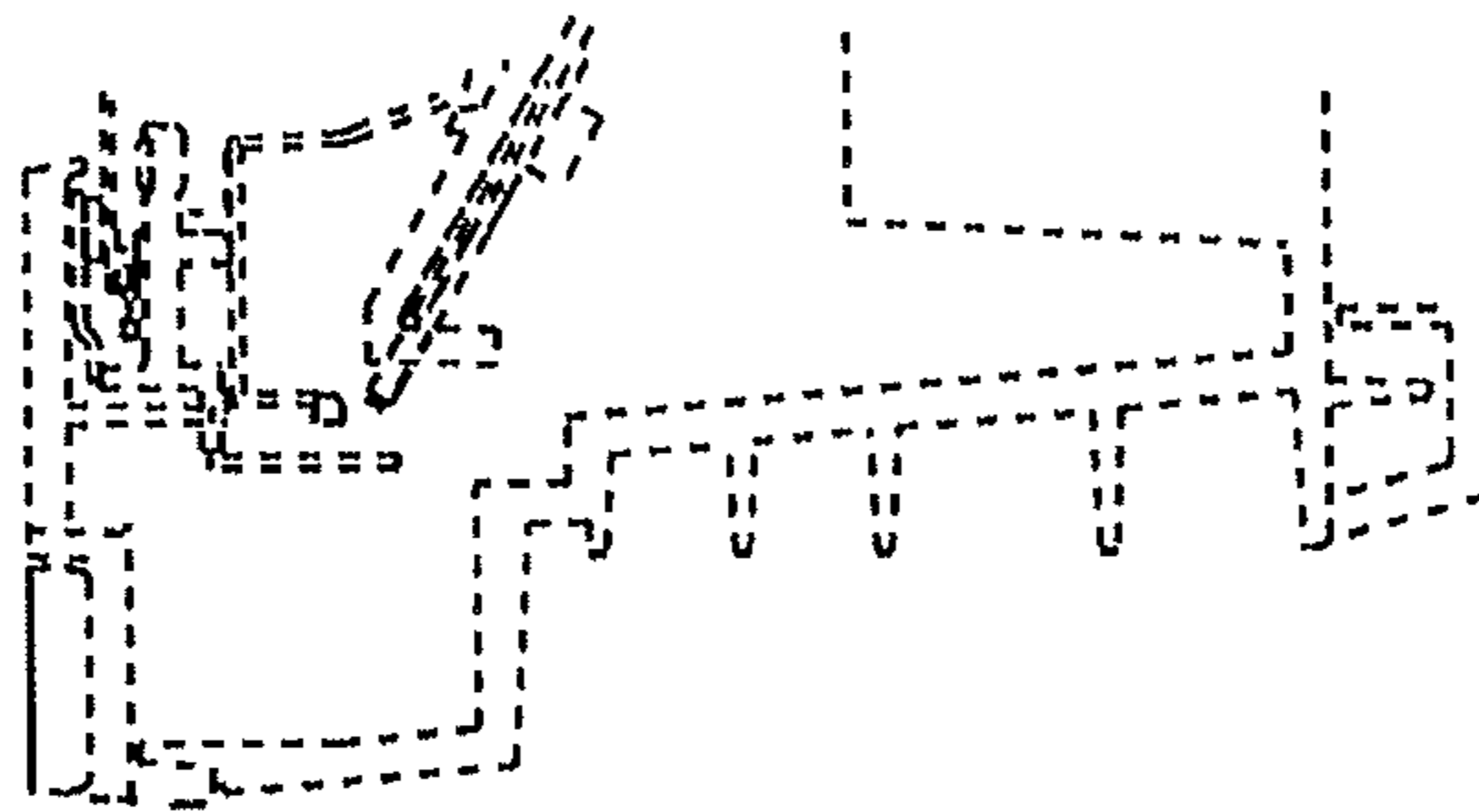


Fig.10

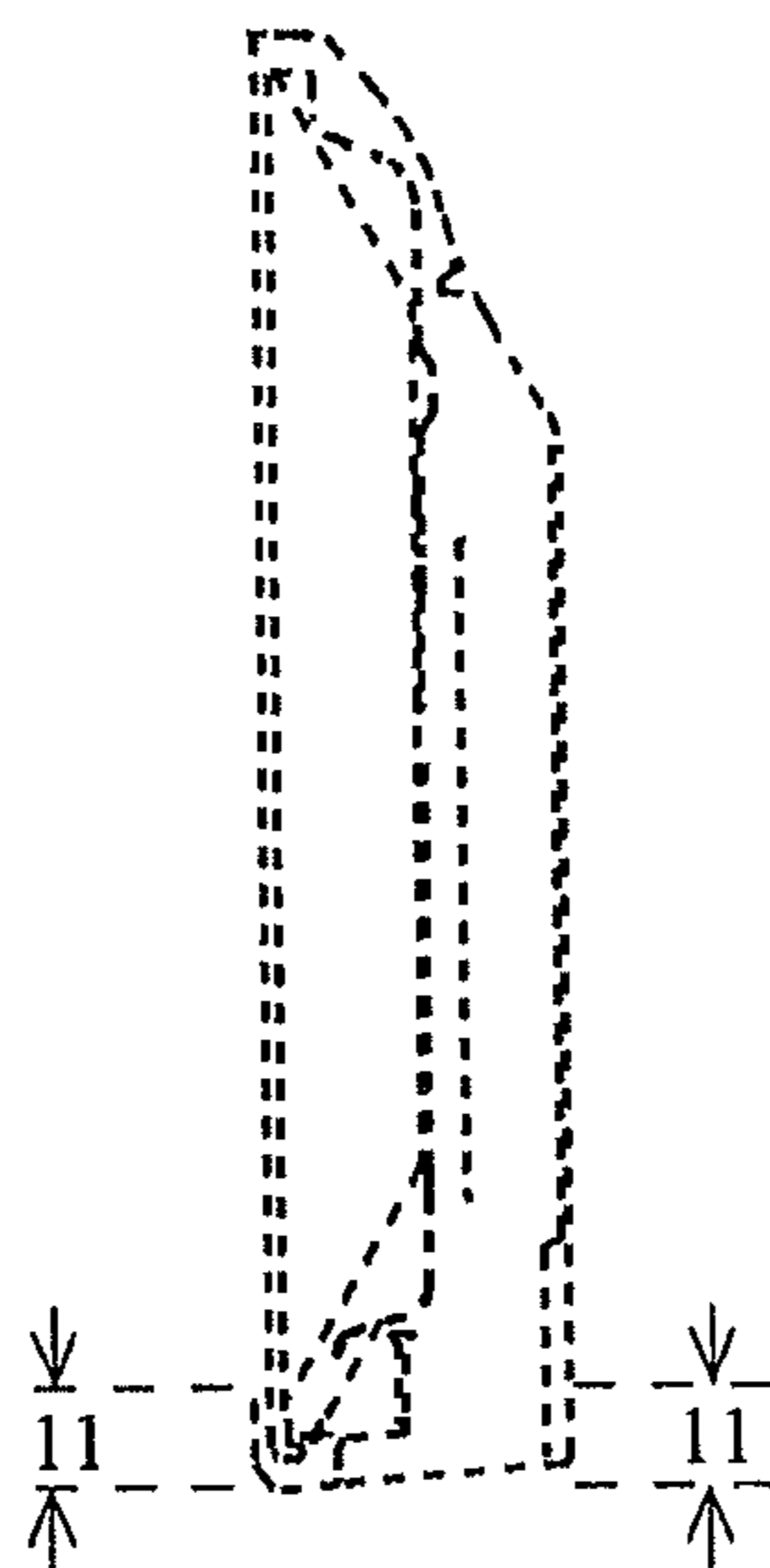


Fig.11

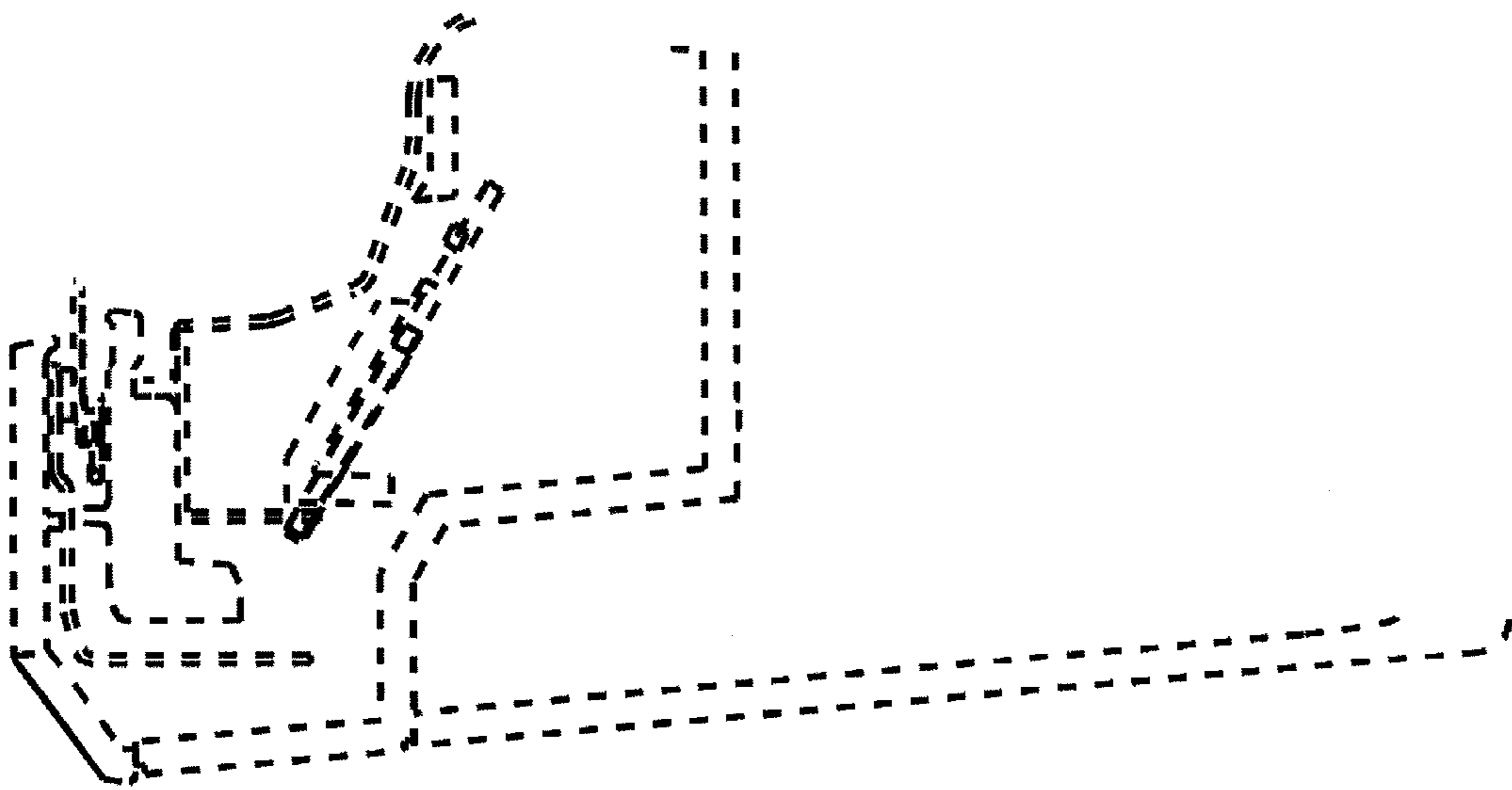


Fig.12



Fig.13

