



US00D752583S

(12) **United States Design Patent**
Solomon et al.

(10) **Patent No.:** **US D752,583 S**
(45) **Date of Patent:** **** Mar. 29, 2016**

(54) **WATCH BODY**

- (71) Applicant: **Pebble Technology Corp.**, Palo Alto, CA (US)
- (72) Inventors: **Mark Charles Solomon**, San Jose, CA (US); **Marcus Maurice Townsend**, San Francisco, CA (US); **Steven William Johns**, Vancouver (CA)
- (73) Assignee: **Pebble Technology, Corp.**, Palo Alto, CA (US)
- (**) Term: **15 Years**
- (21) Appl. No.: **29/534,052**
- (22) Filed: **Jul. 24, 2015**
- (51) **LOC (10) Cl.** **14-02**
- (52) **U.S. Cl.**
USPC **D14/344**; D10/38
- (58) **Field of Classification Search**
USPC D14/341–347, 420, 426, 427;
D10/30–32, 37–39, 65; 368/281–282,
368/294–296; 455/100; 361/679.03;
379/433.1; D11/3, 94
CPC H04B 1/03; H04B 1/385; G04G 17/083
See application file for complete search history.

(56) **References Cited**

U.S. PATENT DOCUMENTS

- D244,086 S 4/1977 Lawrence
- D244,707 S 6/1977 Tiep

(Continued)

Primary Examiner — Barbara Fox

(74) *Attorney, Agent, or Firm* — Rutan & Tucker, LLP

(57) **CLAIM**

The ornamental design for a watch body, as shown and described.

DESCRIPTION

This application is filed concurrently with U.S. Design Appl. Ser. No. 29/534,046, entitled “Watch Body”, and U.S. Design Appl. Ser. No. 29/534,057, entitled “Watch Body”, which are both incorporated herein by reference in their entireties. All material from U.S. Design Appl. Ser. 29/534,046 and U.S.

Design Appl. Ser. 29/534,057 that is essential to the claimed design is included in this Application. It is understood that any material in U.S. Design Appl. Ser. 29/534,046 and U.S. Design Appl. Ser. 29/534,057 that is not present in this Application forms no part of the claimed design.

FIG. 1 is a top perspective view showing a watch body according to one embodiment of our new design from a first end;

FIG. 2 is a bottom perspective view showing the watch body from the first end;

FIG. 3 is an end view of the first end of the watch body in FIG. 1;

FIG. 4 is a top perspective view showing the watch body in FIG. 1 from a second, opposite end;

FIG. 5 is a bottom perspective view showing the watch body in FIG. 1 from the second end;

FIG. 6 is an end view of the second end of the watch body in FIG. 1;

FIG. 7 is a plan view of a top of the watch body in FIG. 1;

FIG. 8 is a side view showing a right side of the watch body in FIG. 1;

FIG. 9 is a plan view showing a back of the watch body in FIG. 1;

FIG. 10 is a side view of a left side of the watch body in FIG. 1;

FIG. 11 is a top perspective view showing a watch body according to another embodiment of our new design from a first end;

FIG. 12 is a bottom perspective view showing the watch body in FIG. 11 from the first end;

FIG. 13 is an end view of the first end of the watch body in FIG. 11;

FIG. 14 is a top perspective view showing the watch body in FIG. 11 from a second, opposite end;

FIG. 15 is a bottom perspective view showing the watch body in FIG. 11 from the second end;

FIG. 16 is an end view of the second end of the watch body in FIG. 11;

FIG. 17 is a plan view of a top of the watch body in FIG. 11;

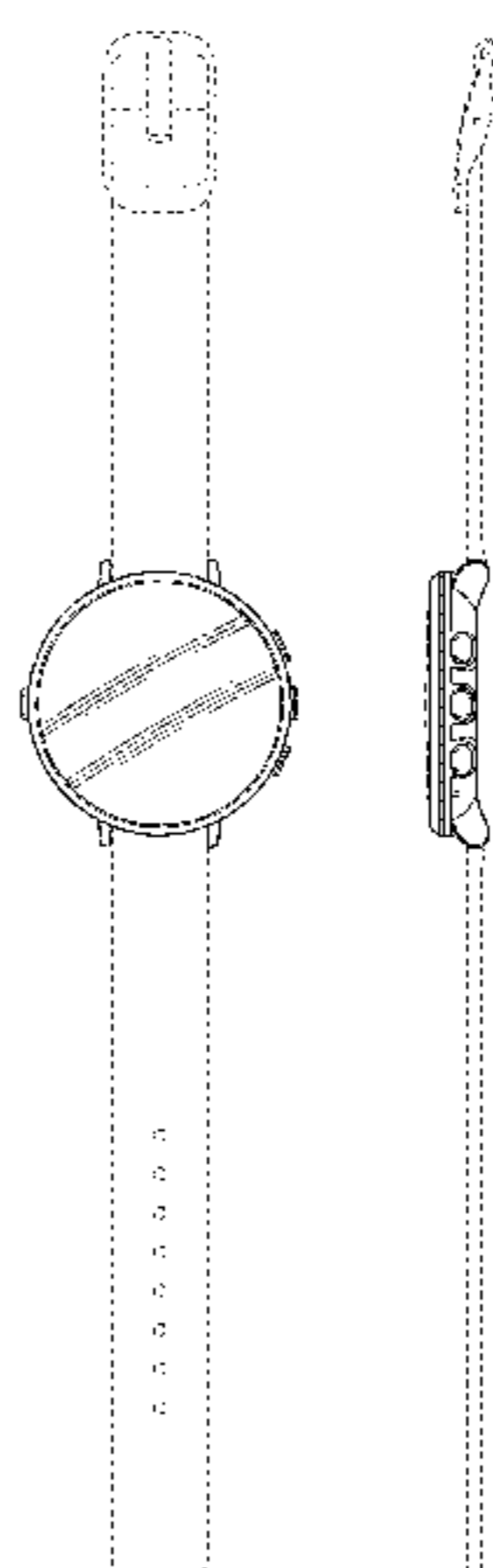
FIG. 18 is a side view showing a right side of the watch body in FIG. 11;

FIG. 19 is a plan view showing a back of the watch body in FIG. 11; and,

FIG. 20 is a side view of a left side of the watch body in FIG. 11.

The broken line showing of a band represents environment and forms no part of the claimed design. The remainder of the broken lines represent portions of the watch body that form no part of the claimed design.

1 Claim, 6 Drawing Sheets



(56)

References Cited

U.S. PATENT DOCUMENTS

D244,761 S	6/1977	Sulek	
D245,074 S	7/1977	Karibe et al.	
D246,164 S	* 10/1977	Koehler	D10/124
D246,765 S	12/1977	Sulek	
D247,133 S	1/1978	Tiep	
D247,701 S	4/1978	Kwon	
D249,874 S	10/1978	Lawrence	
D250,881 S	1/1979	Liautaud	
D251,773 S	5/1979	Morabito	
D255,224 S	6/1980	Sulek et al.	
D255,877 S	7/1980	Yamagami	
D259,626 S	6/1981	Wada	
D261,731 S	11/1981	Yamagami et al.	
D261,732 S	11/1981	Yamagami et al.	
D261,733 S	11/1981	Iida	
D261,994 S	11/1981	Yamagami et al.	
D265,063 S	6/1982	Iida	
D265,295 S	7/1982	Wada	
D267,548 S	1/1983	Wada	
D269,767 S	7/1983	Houlihan et al.	
D269,951 S	8/1983	Eberhardt et al.	
D270,244 S	8/1983	McCormick	
D277,829 S	3/1985	Legér	
D278,685 S	5/1985	Suzuki et al.	
D279,081 S	6/1985	Suzuki et al.	
D283,014 S	3/1986	Suzuki et al.	
4,825,427 A	4/1989	Wollman	
D312,416 S	11/1990	Braum	
5,005,161 A	4/1991	Boilen	
D324,340 S	3/1992	Houlihan	
D324,341 S	3/1992	Houlihan	
D345,926 S	4/1994	Houlihan	
D346,558 S	5/1994	Hiromori	
D366,036 S	1/1996	Houlihan	
D373,538 S	* 9/1996	Riley	D10/30
D380,392 S	* 7/1997	Kennedy	D10/30
D382,492 S	8/1997	Houlihan	
D386,428 S	11/1997	Toribio	
D386,694 S	11/1997	Houlihan	
D387,998 S	12/1997	Ramos, Jr. et al.	
D389,070 S	* 1/1998	Galli	D10/30
D389,752 S	* 1/1998	Riley	D10/30
D427,081 S	6/2000	Hiramatsu	
D447,063 S	* 8/2001	Scheufele	D10/30
D508,418 S	8/2005	Kraft	
D528,928 S	9/2006	Burton	
D554,003 S	* 10/2007	Journe	D10/31
D554,535 S	* 11/2007	Journe	D10/31
D564,911 S	* 3/2008	Holtzman	D10/39
D582,295 S	12/2008	Schoepfer	
D611,842 S	* 3/2010	Parmigiani	D10/38
D624,443 S	* 9/2010	Cerrato	D10/38
D628,498 S	12/2010	Arellano	
D636,686 S	4/2011	Cobbett et al.	
D645,360 S	9/2011	Kiser et al.	
D645,361 S	* 9/2011	Parmigiani	D10/38
D651,099 S	* 12/2011	Ruffieux	D10/38
D656,414 S	* 3/2012	Parmigiani	D10/38
D667,126 S	9/2012	Cho et al.	
D672,667 S	12/2012	Mix	
D693,251 S	11/2013	Anderssen et al.	
D694,655 S	* 12/2013	Rufenacht	D10/38
D701,504 S	3/2014	Christopher et al.	
D703,204 S	4/2014	Riddiford et al.	
D705,673 S	5/2014	Arellano	
D709,875 S	* 7/2014	Aumiller	D14/344
D711,872 S	* 8/2014	Aumiller	D14/344
D717,678 S	11/2014	Anderssen et al.	
D718,150 S	* 11/2014	Gueit	D10/32
D719,123 S	12/2014	Park et al.	
D732,985 S	* 6/2015	Cerrato	D10/39
D733,580 S	* 7/2015	Cerrato	D10/38
D734,677 S	* 7/2015	Ruffieux	D10/38
2014/0143785 A1	* 5/2014	Mistry	G06F 1/3203 718/104

* cited by examiner

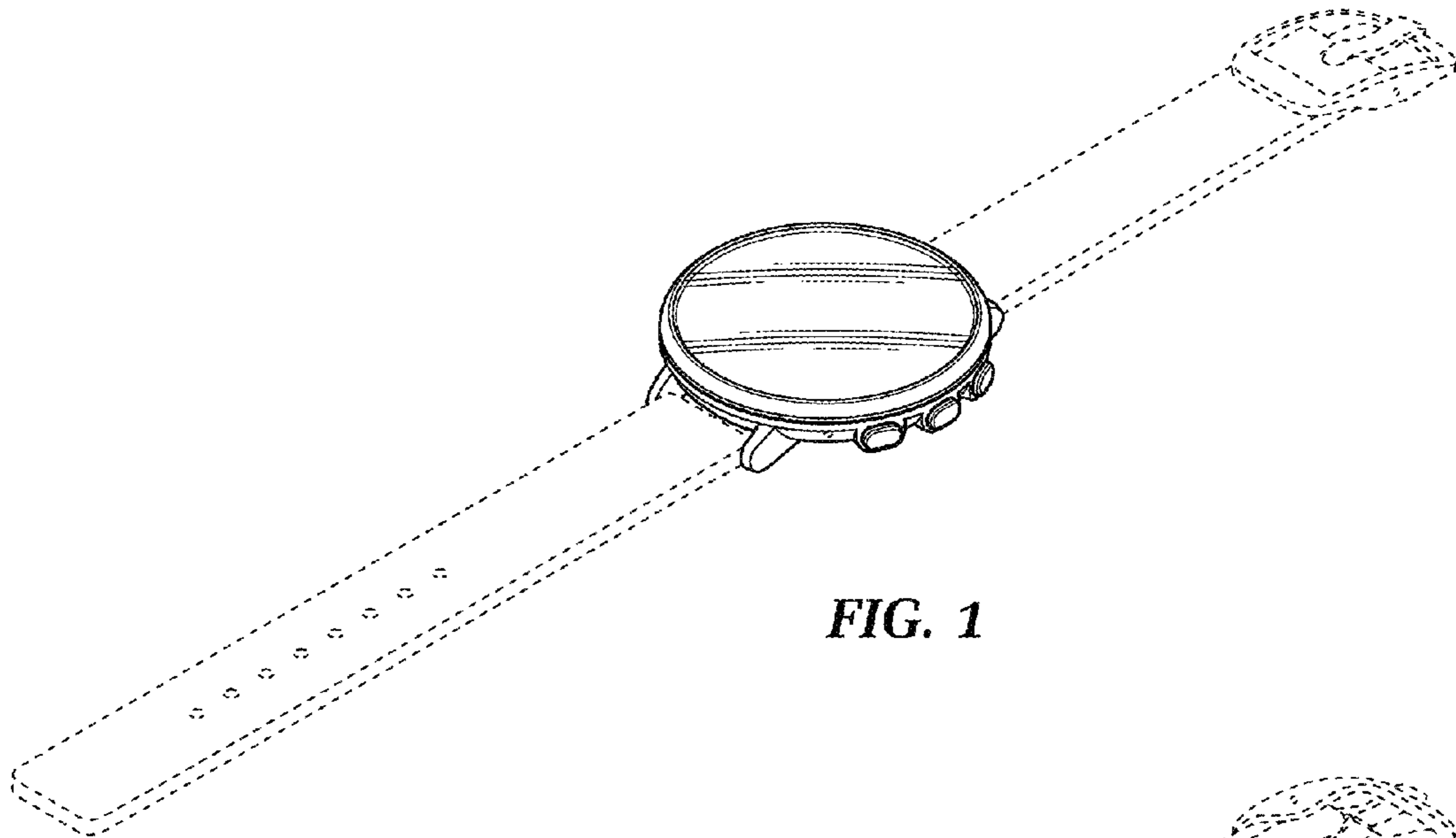


FIG. 1

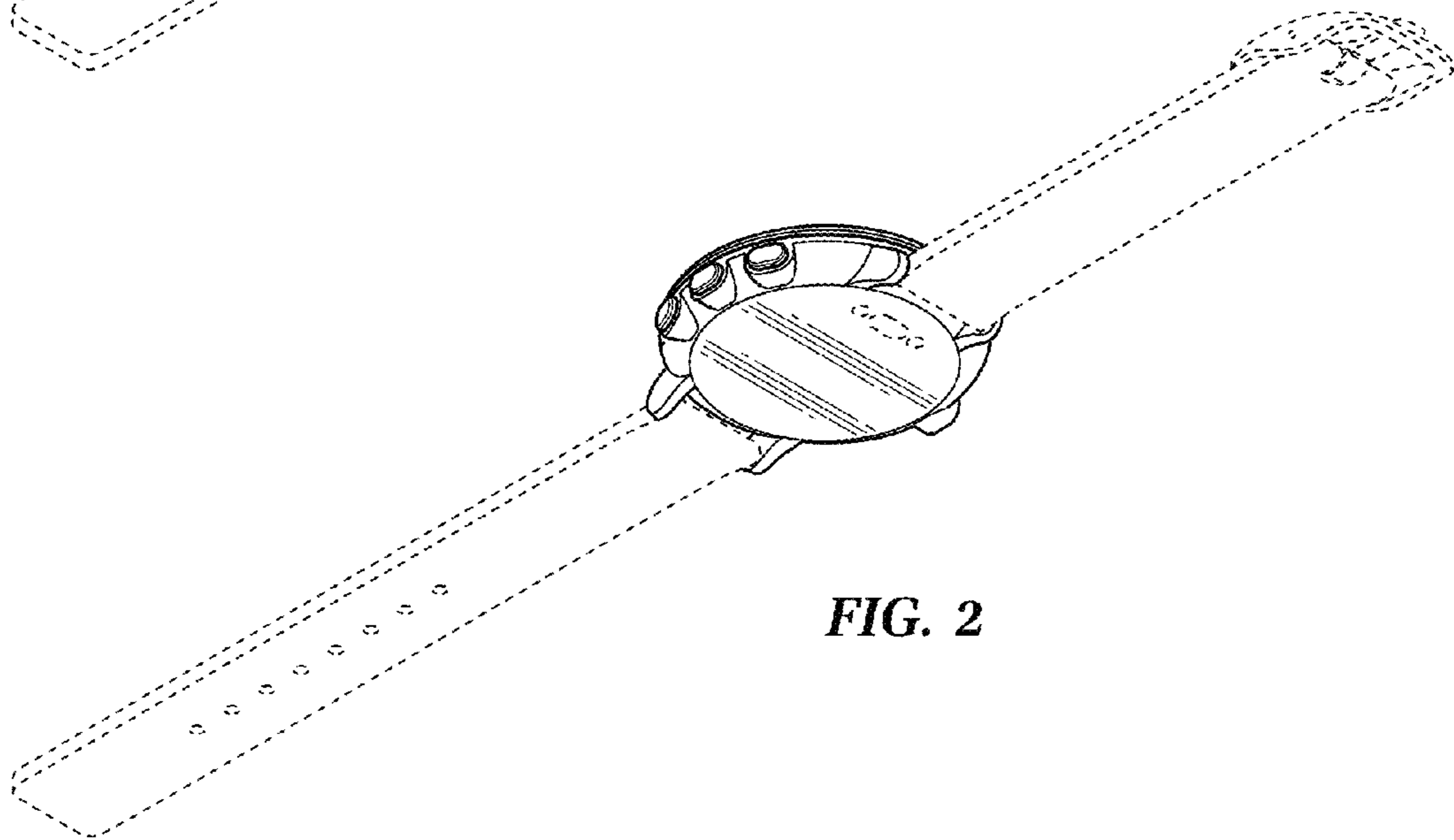


FIG. 2

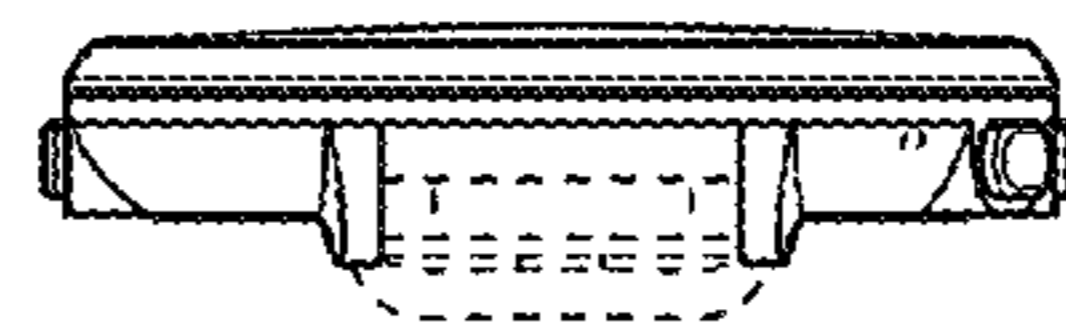


FIG. 3

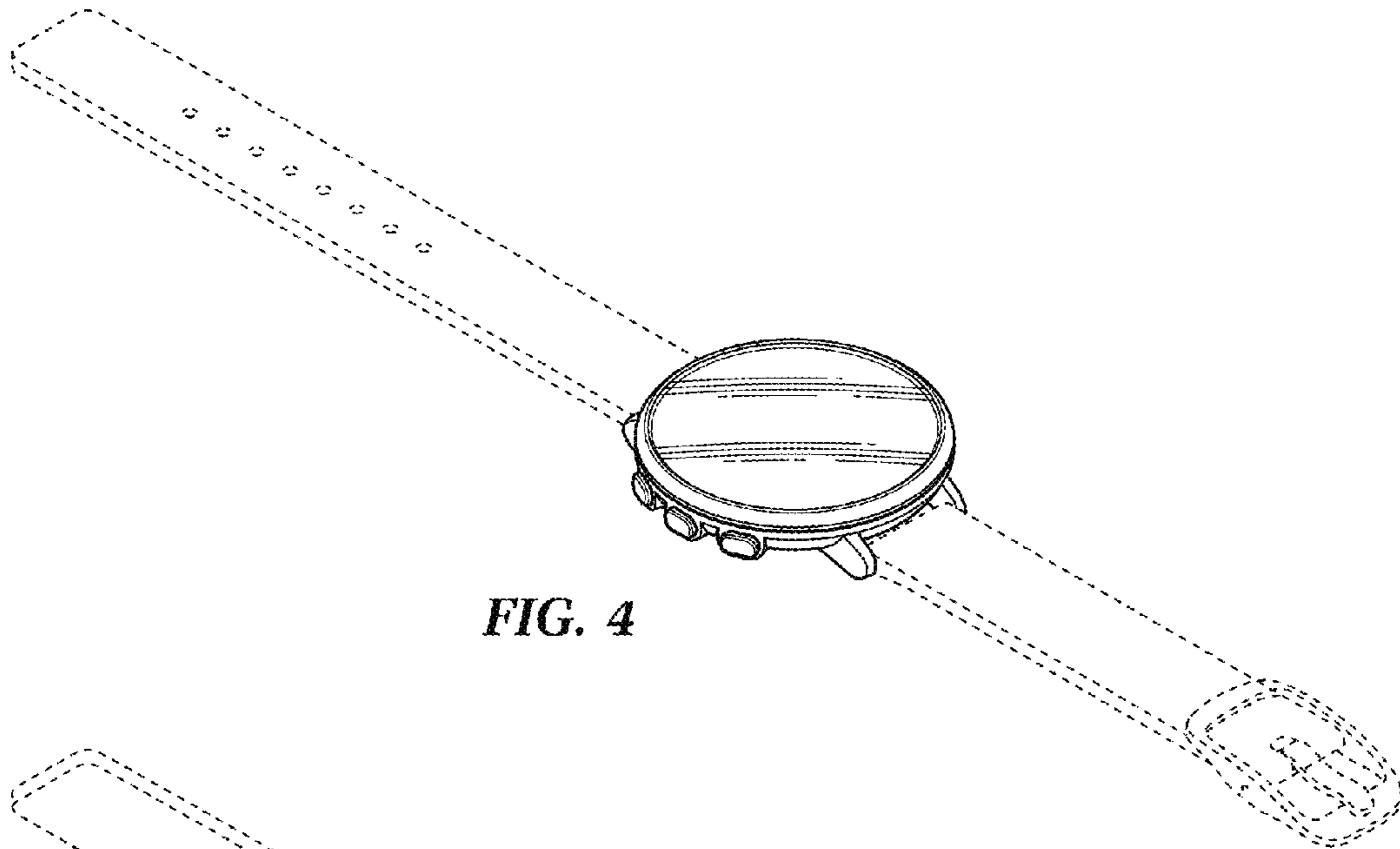


FIG. 4

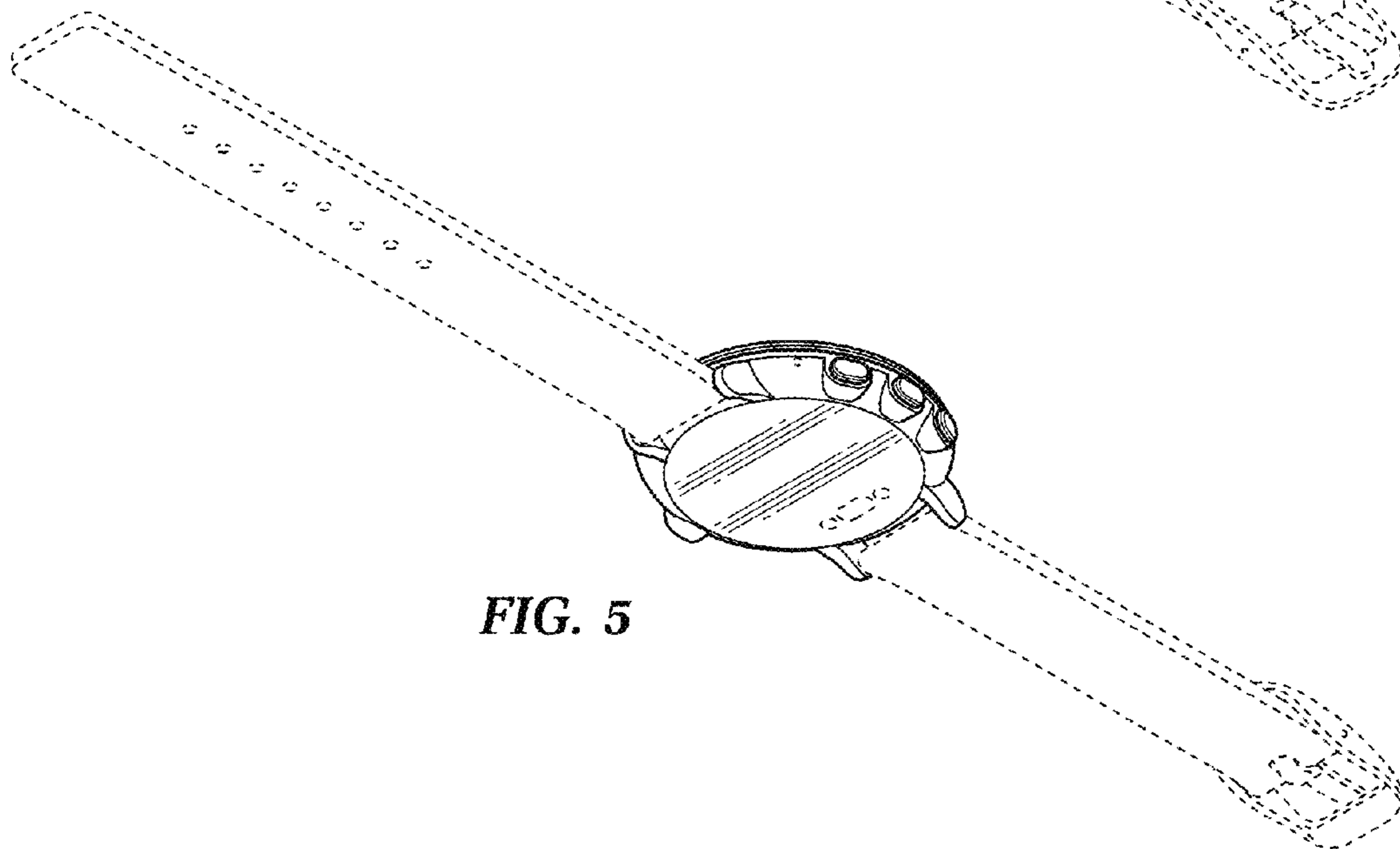


FIG. 5



FIG. 6

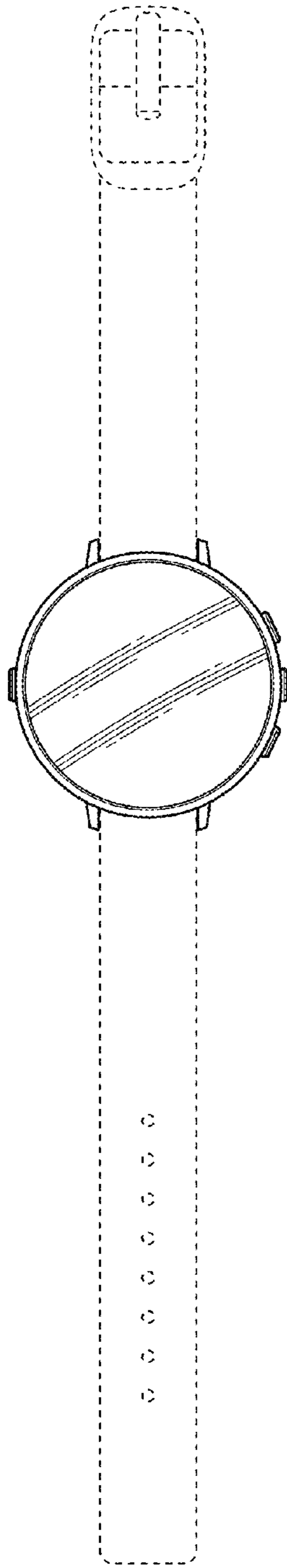


FIG. 7

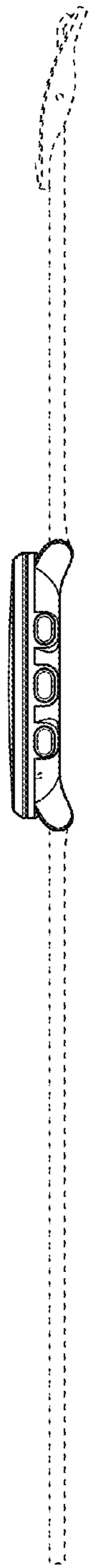


FIG. 8

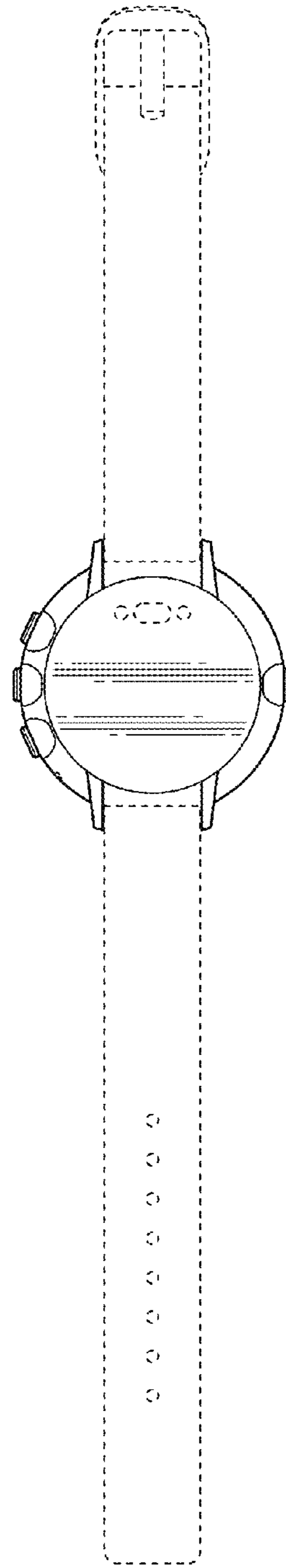


FIG. 9

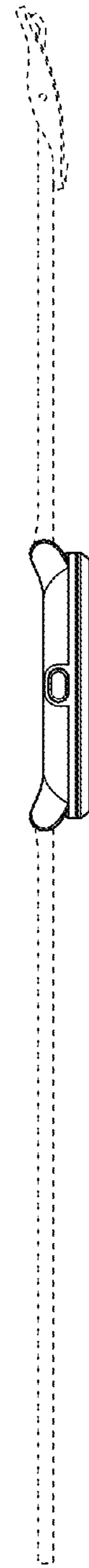


FIG. 10

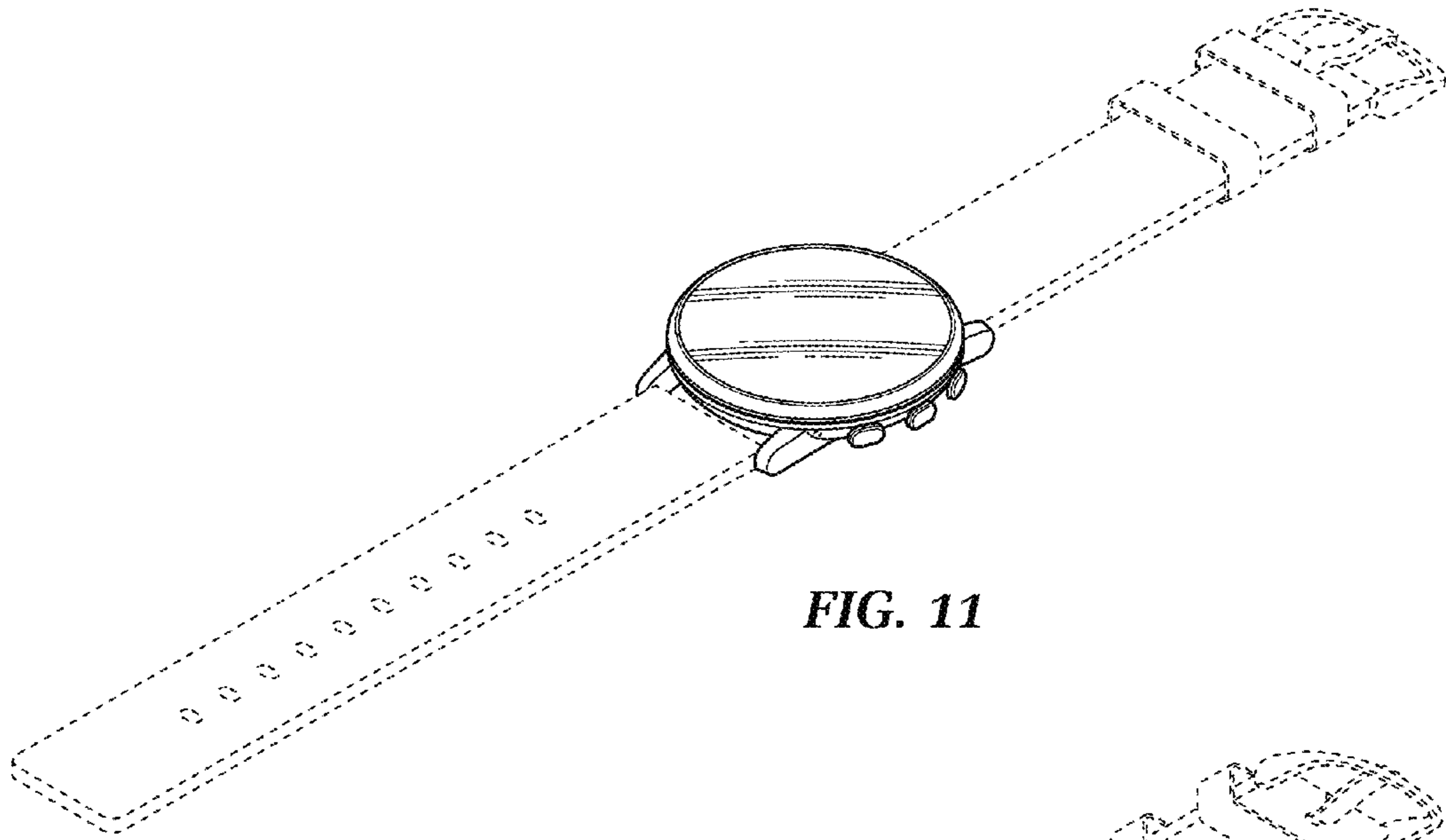


FIG. 11

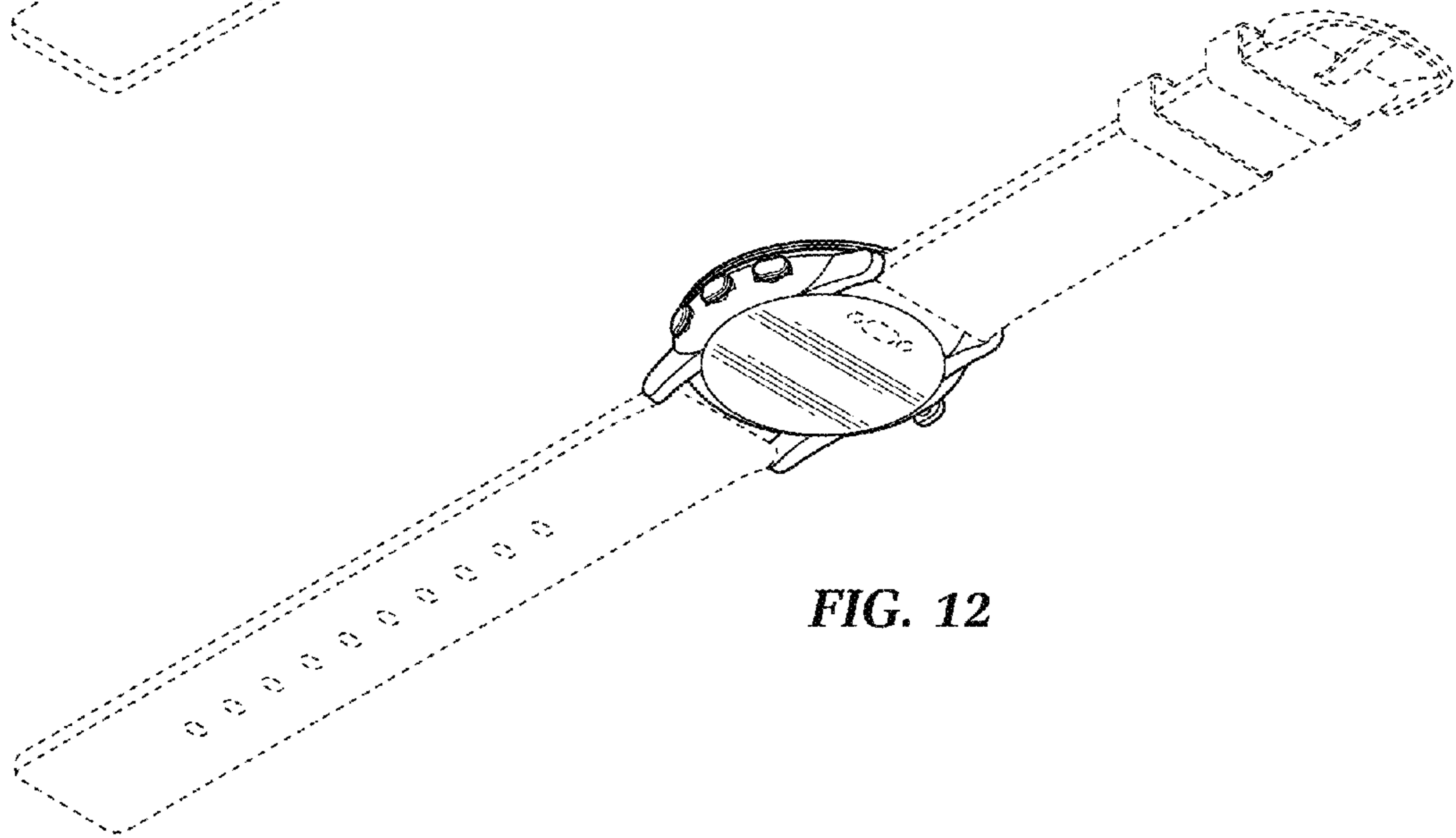


FIG. 12



FIG. 13

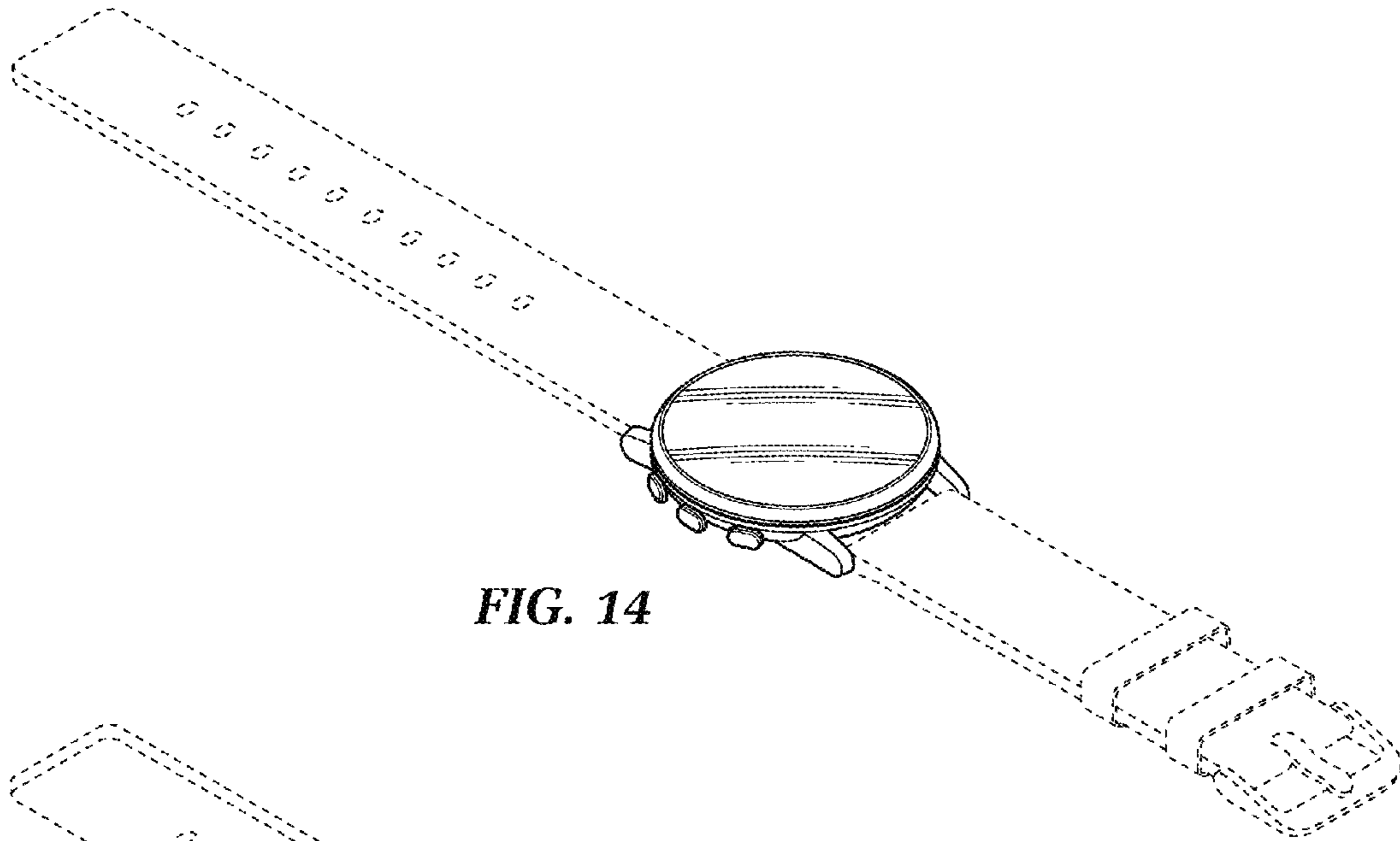


FIG. 14

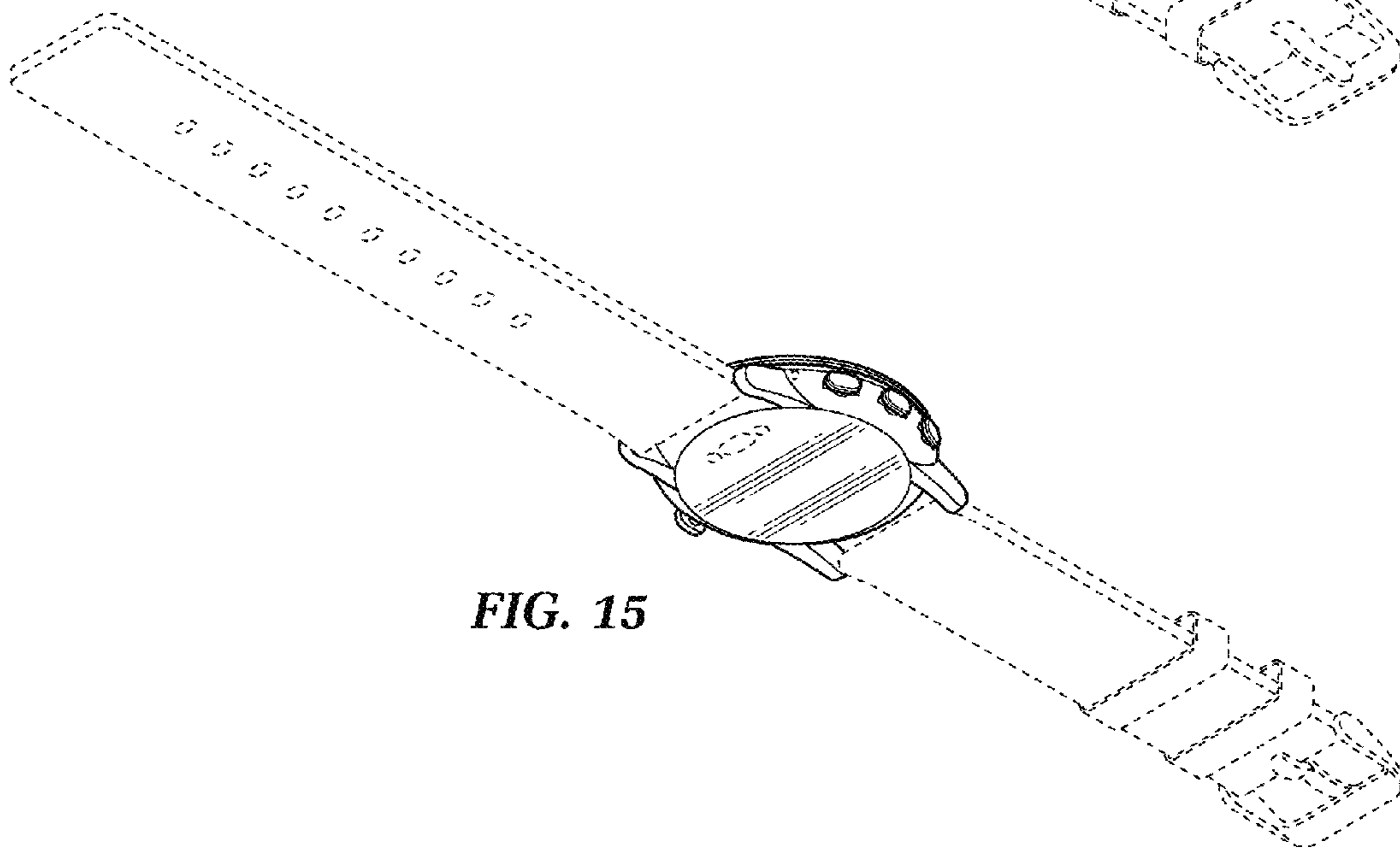


FIG. 15

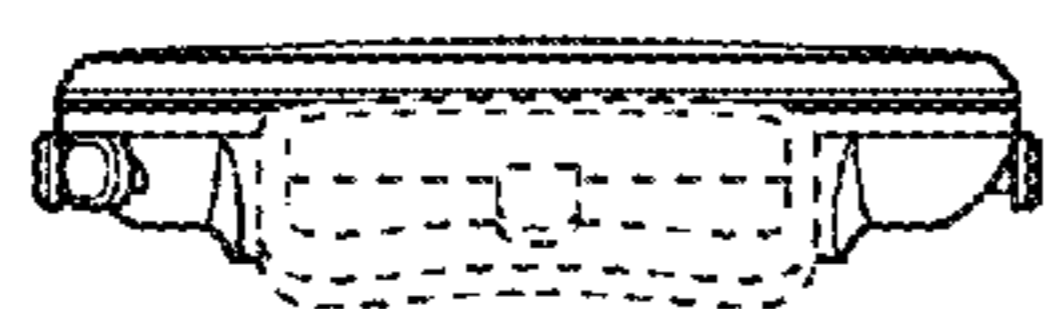


FIG. 16

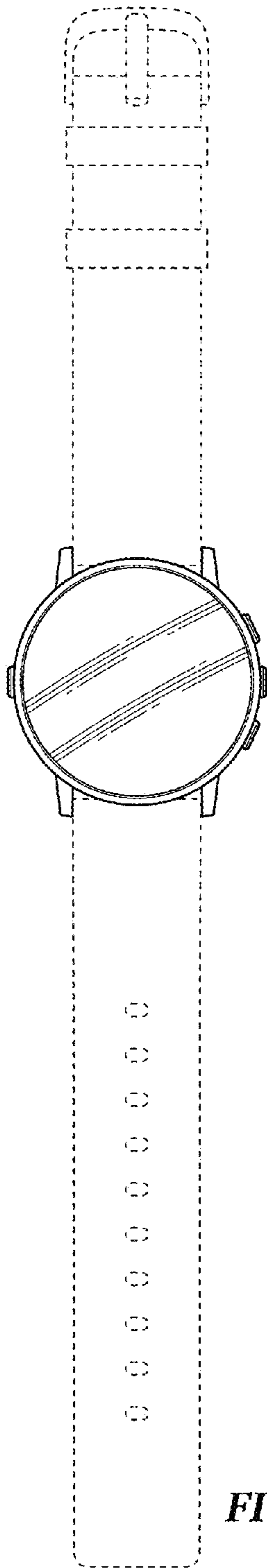


FIG. 17

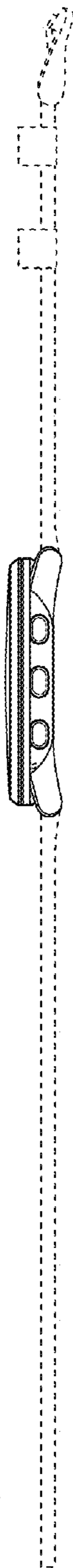


FIG. 18

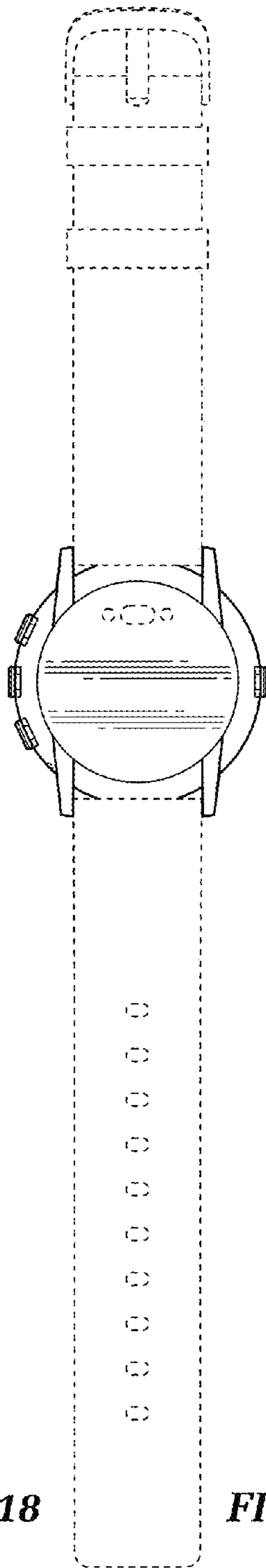


FIG. 19



FIG. 20