



US00D752581S

(12) **United States Design Patent**  
**Jung et al.**

(10) **Patent No.:** **US D752,581 S**  
(45) **Date of Patent:** **\*\* Mar. 29, 2016**

(54) **PORTABLE ELECTRONIC DEVICE**

FOREIGN PATENT DOCUMENTS

(71) Applicant: **Samsung Electronics Co., Ltd.**,  
Suwon-si (KR)

KR 30-0625754 12/2011

(72) Inventors: **Hayoul Jung**, Yongin-si (KR); **Jaehyung Hong**, Seoul (KR); **Jinseok Hwang**, Changwon-si (KR); **Yongseok Bang**, Yongin-si (KR)

OTHER PUBLICATIONS

Adidas Smartrun—a smartwatch customized for sports, [http://money.joins.com/news/article/article.asp?total\\_id=13267958&ctg=16](http://money.joins.com/news/article/article.asp?total_id=13267958&ctg=16), (Published Nov. 29, 2013).

(Continued)

(73) Assignee: **SAMSUNG ELECTRONICS CO., LTD.**, Suwon-Si (KR)

*Primary Examiner* — Paula Greene

(\*\*) Term: **14 Years**

(74) *Attorney, Agent, or Firm* — McAndrews Held & Malloy, Ltd.

(21) Appl. No.: **29/511,411**

(22) Filed: **Dec. 10, 2014**

(57) **CLAIM**

(30) **Foreign Application Priority Data**

The ornamental design for a portable electronic device, as shown and described.

Aug. 25, 2014 (KR) ..... 30-2014-0041207

(51) **LOC (10) Cl.** ..... **14-02**

(52) **U.S. Cl.**  
USPC ..... **D14/344**

(58) **Field of Classification Search**  
USPC ..... D14/344, 341, 138 R; D10/30, 31, 32, D10/65, 70; 368/10, 4, 13, 281, 223; D24/165; 600/301, 384; 455/556.1, 455/575.6; D11/3  
CPC ..... G06F 1/16  
See application file for complete search history.

**DESCRIPTION**

FIG. 1 is a bottom right front perspective view of a portable electronic device showing our new design; FIG. 2 is a front elevation view thereof; FIG. 3 is a rear elevation view thereof; FIG. 4 is a left side elevation view thereof; FIG. 5 is a right side elevation view thereof; FIG. 6 is a top plan view thereof; FIG. 7 is a bottom plan view thereof; FIG. 8 is a bottom right rear perspective view thereof; and, FIG. 9 is a bottom right front perspective view in which a strap in dashed broken lines is provided to illustrate an example environment.

(56) **References Cited**

U.S. PATENT DOCUMENTS

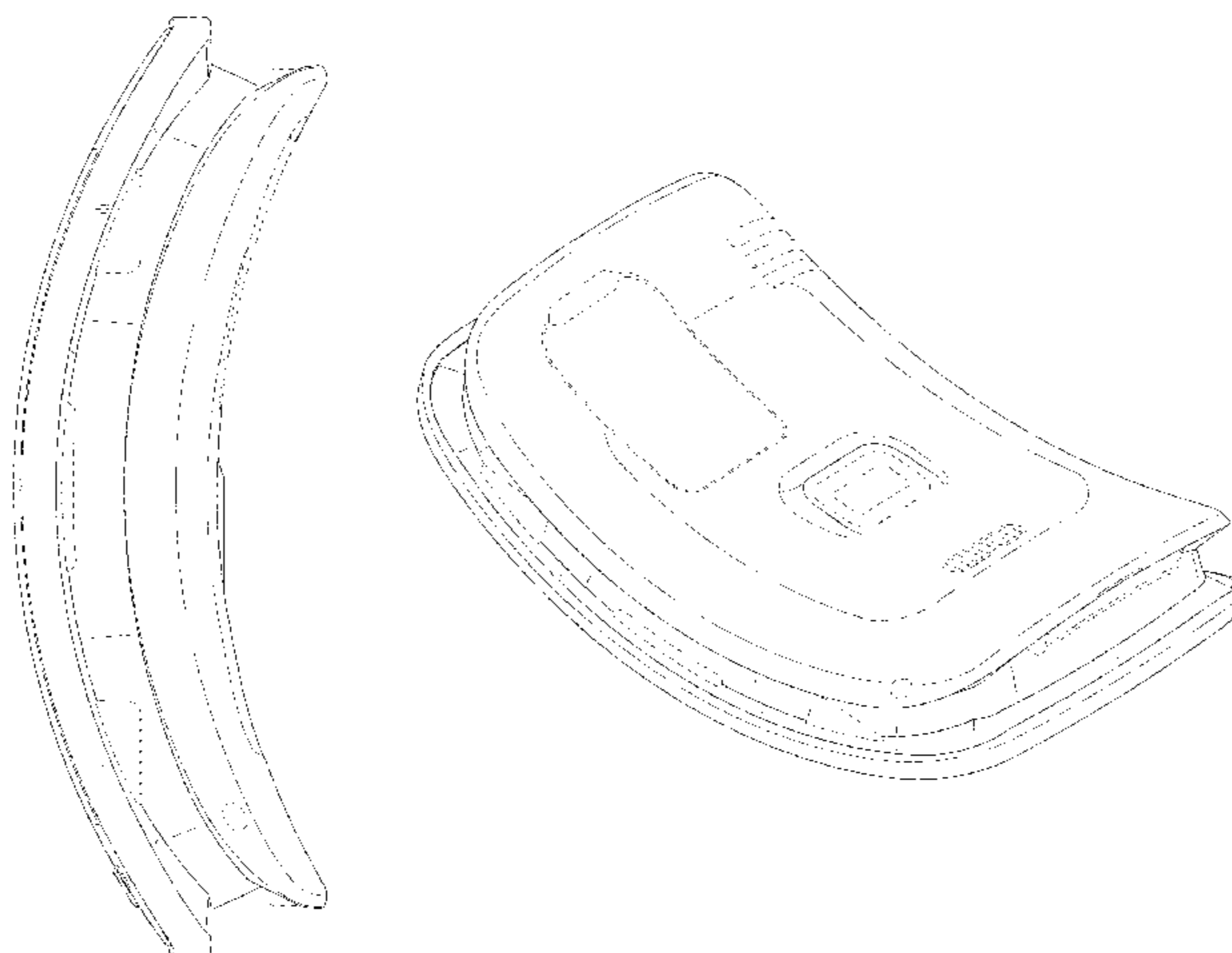
- 2,169,738 A \* 8/1939 Moody ..... A44C 5/24 368/281
- 4,853,682 A \* 8/1989 Asano ..... G04G 21/00 345/169
- D344,338 S \* 2/1994 Yoshikawa ..... D24/165
- D350,351 S \* 9/1994 Nakamura ..... D14/498
- D355,371 S \* 2/1995 Strasser ..... D10/30
- D356,151 S \* 3/1995 Ishii ..... D24/165

The dashed broken lines represent unclaimed portions of the portable electronic device and form no part of the claimed design.

The strap represented in dashed broken lines in FIG. 9 is included for the purpose of illustrating environmental structure and forms no part of the claimed design.

(Continued)

**1 Claim, 9 Drawing Sheets**



(56)

References Cited

U.S. PATENT DOCUMENTS

D361,042 S \* 8/1995 Nanayakkara ..... D10/30  
 D366,036 S \* 1/1996 Houlihan ..... D10/30  
 D398,999 S \* 9/1998 Maeda ..... D24/165  
 D439,172 S \* 3/2001 Brzezinski ..... D10/30  
 D446,130 S \* 8/2001 Nakanishi ..... D10/38  
 D448,680 S \* 10/2001 Kubo ..... D10/30  
 D466,487 S \* 12/2002 Wada ..... D10/31  
 D468,648 S \* 1/2003 Starck ..... D10/38  
 6,978,160 B2 \* 12/2005 Hutchison ..... H04B 1/385  
 455/573  
 D525,710 S \* 7/2006 Kobayashi ..... D24/165  
 D526,912 S \* 8/2006 Calvani ..... D10/38  
 D528,928 S \* 9/2006 Burton ..... D10/38  
 D550,105 S \* 9/2007 Oberrieder ..... D10/65  
 7,280,100 B2 \* 10/2007 Hanson ..... G06F 1/1601  
 345/169  
 D568,768 S \* 5/2008 Tang ..... D10/30  
 D576,501 S \* 9/2008 Tang ..... D10/31  
 D584,303 S \* 1/2009 Andre ..... D14/341  
 D589,374 S \* 3/2009 Tang ..... D10/32  
 D596,610 S \* 7/2009 Hou ..... D10/32  
 D621,726 S \* 8/2010 Lattmann ..... D10/38  
 D621,808 S \* 8/2010 Kim ..... D14/138 R  
 D628,498 S \* 12/2010 Arellano ..... D10/38  
 D636,686 S \* 4/2011 Cobbett ..... D10/38  
 D637,918 S \* 5/2011 Cobbett ..... D10/31  
 D638,723 S \* 5/2011 Ong ..... D10/32  
 D639,955 S \* 6/2011 Riobo Aboy ..... D24/165  
 8,345,414 B2 \* 1/2013 Mooring ..... G04G 17/04  
 248/441.1

D703,069 S \* 4/2014 Adams ..... D10/31  
 D709,476 S 7/2014 Park et al.  
 8,787,006 B2 \* 7/2014 Golko ..... G06F 1/163  
 361/679.03  
 D712,930 S \* 9/2014 Lee ..... D14/496  
 D714,288 S \* 9/2014 Aumiller ..... D14/344  
 D715,281 S \* 10/2014 Kim ..... D14/248  
 8,942,070 B1 \* 1/2015 Shah ..... G04G 9/0082  
 368/223  
 D724,556 S \* 3/2015 Choi ..... D10/32  
 D725,072 S \* 3/2015 Kim ..... D10/38  
 D728,624 S \* 5/2015 Akana ..... D14/496  
 D729,650 S \* 5/2015 Phillips ..... D10/32  
 D729,652 S \* 5/2015 Nuovo ..... D10/32  
 D732,527 S \* 6/2015 Kim ..... D14/344  
 D733,133 S \* 6/2015 Kim ..... D14/344  
 D736,652 S \* 8/2015 Isaacs ..... D10/32  
 D738,237 S \* 9/2015 Song ..... D10/30  
 2006/0140055 A1 \* 6/2006 Ehram ..... A44C 5/18  
 368/10  
 2009/0171788 A1 \* 7/2009 Tropper ..... A61B 5/1118  
 705/14.61  
 2013/0261405 A1 \* 10/2013 Lee ..... A61B 5/681  
 600/301

OTHER PUBLICATIONS

<http://vr-zone.com/articles/concept-renders-of-apple-iwatch-unveils-a-realistic-approach-to-the-smartwatch/20452.html> (Published May 25, 2013).

\* cited by examiner

FIG. 1

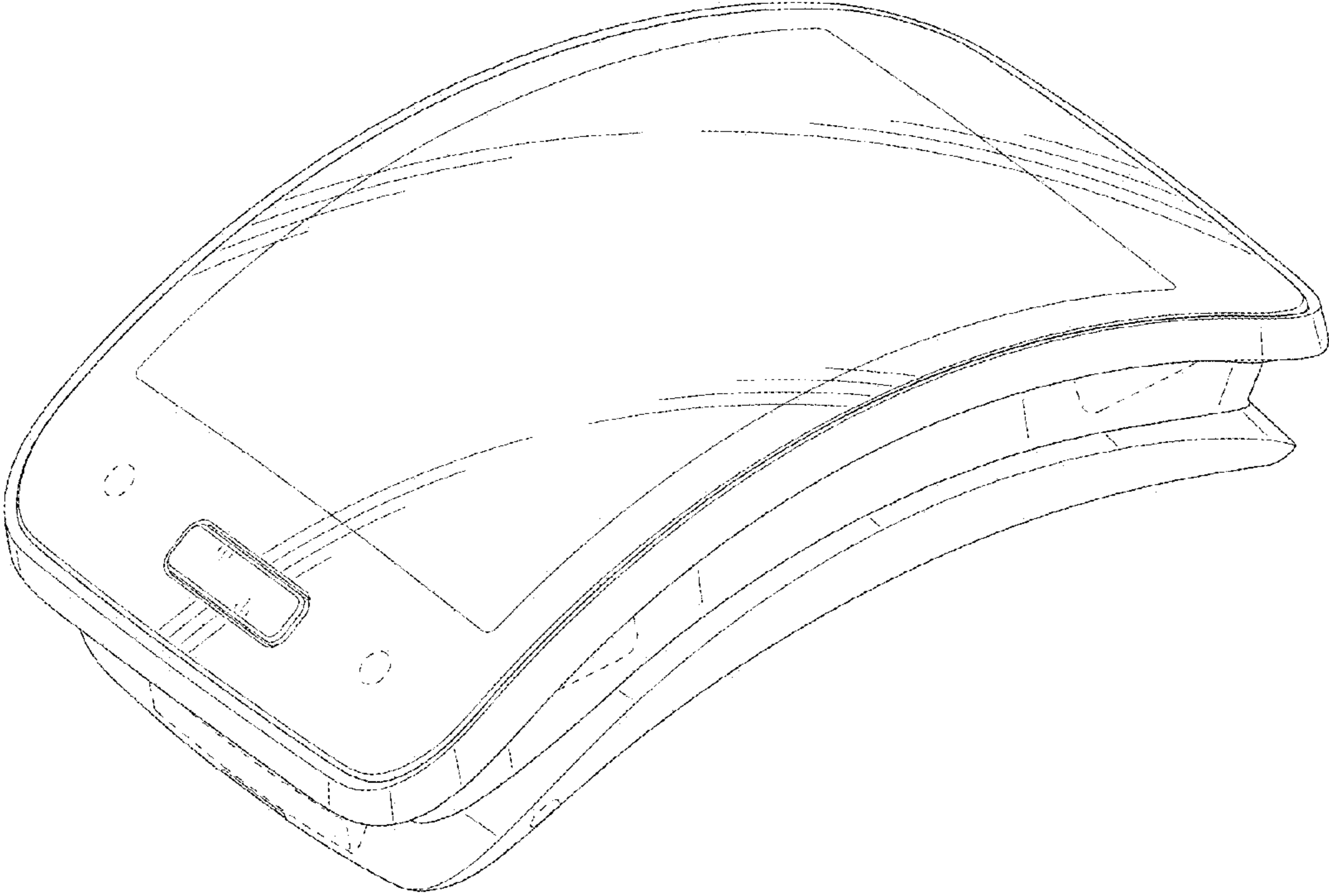


FIG. 2

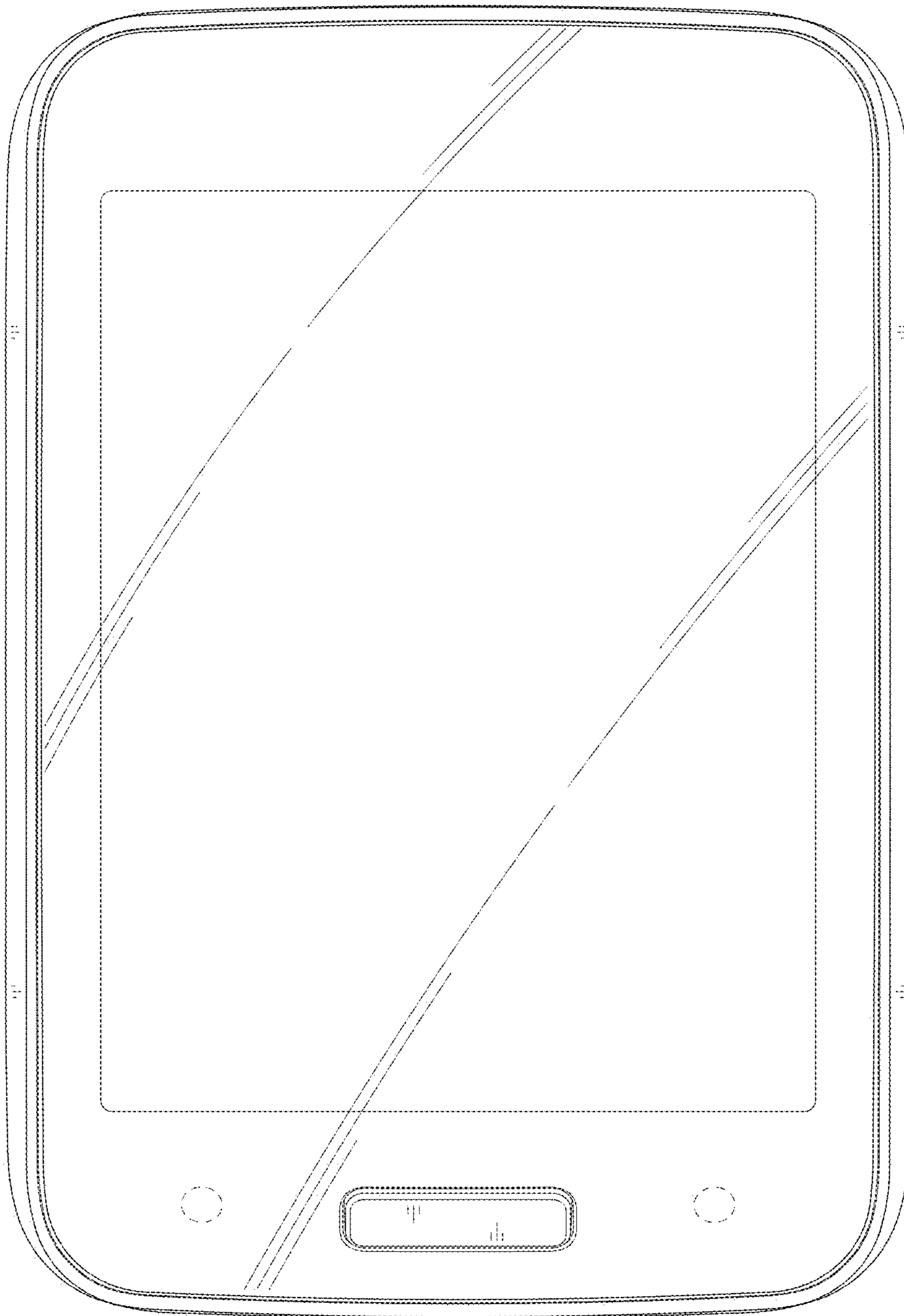


FIG. 3

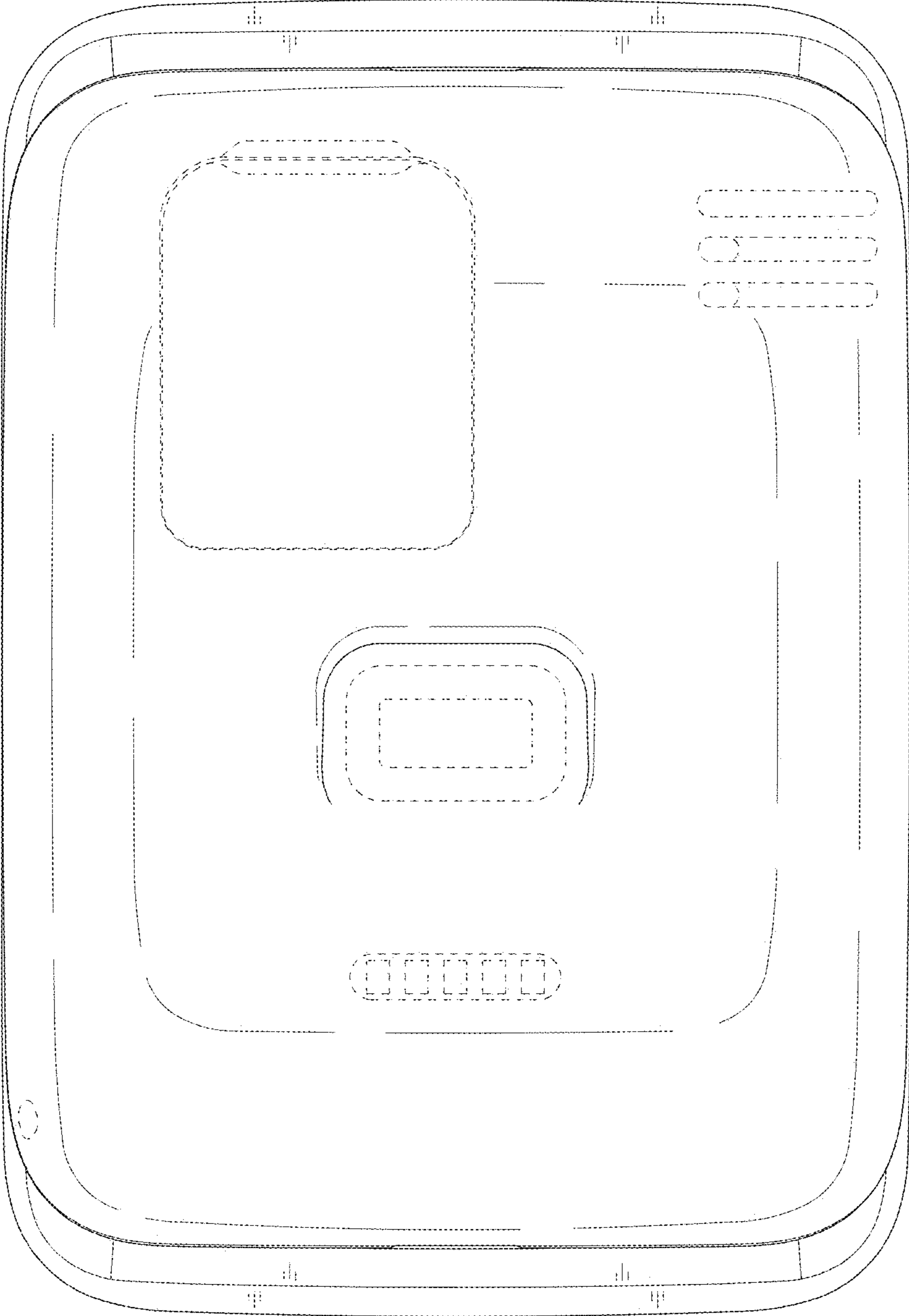


FIG. 4

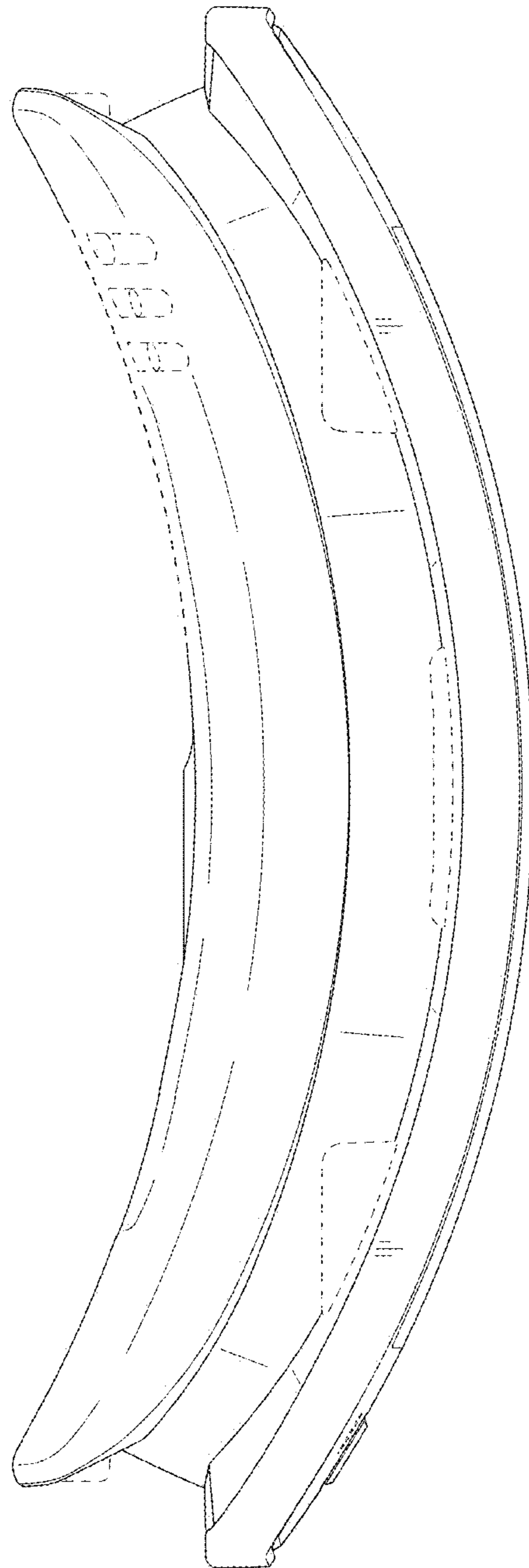


FIG. 5

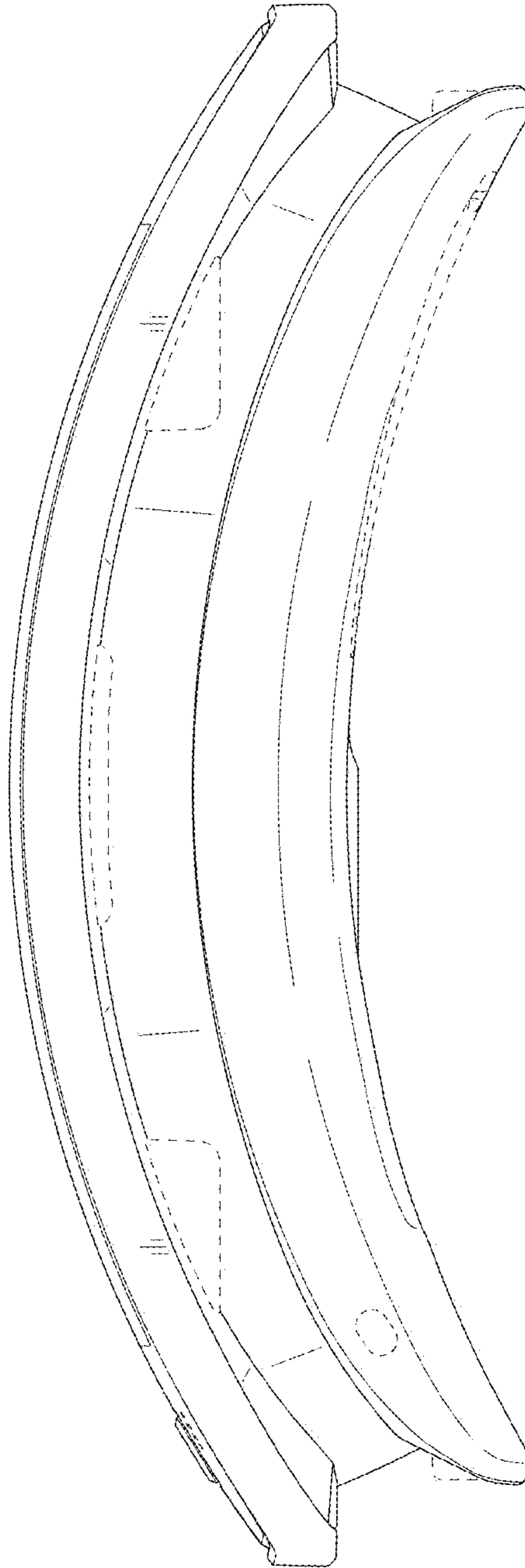


FIG. 6

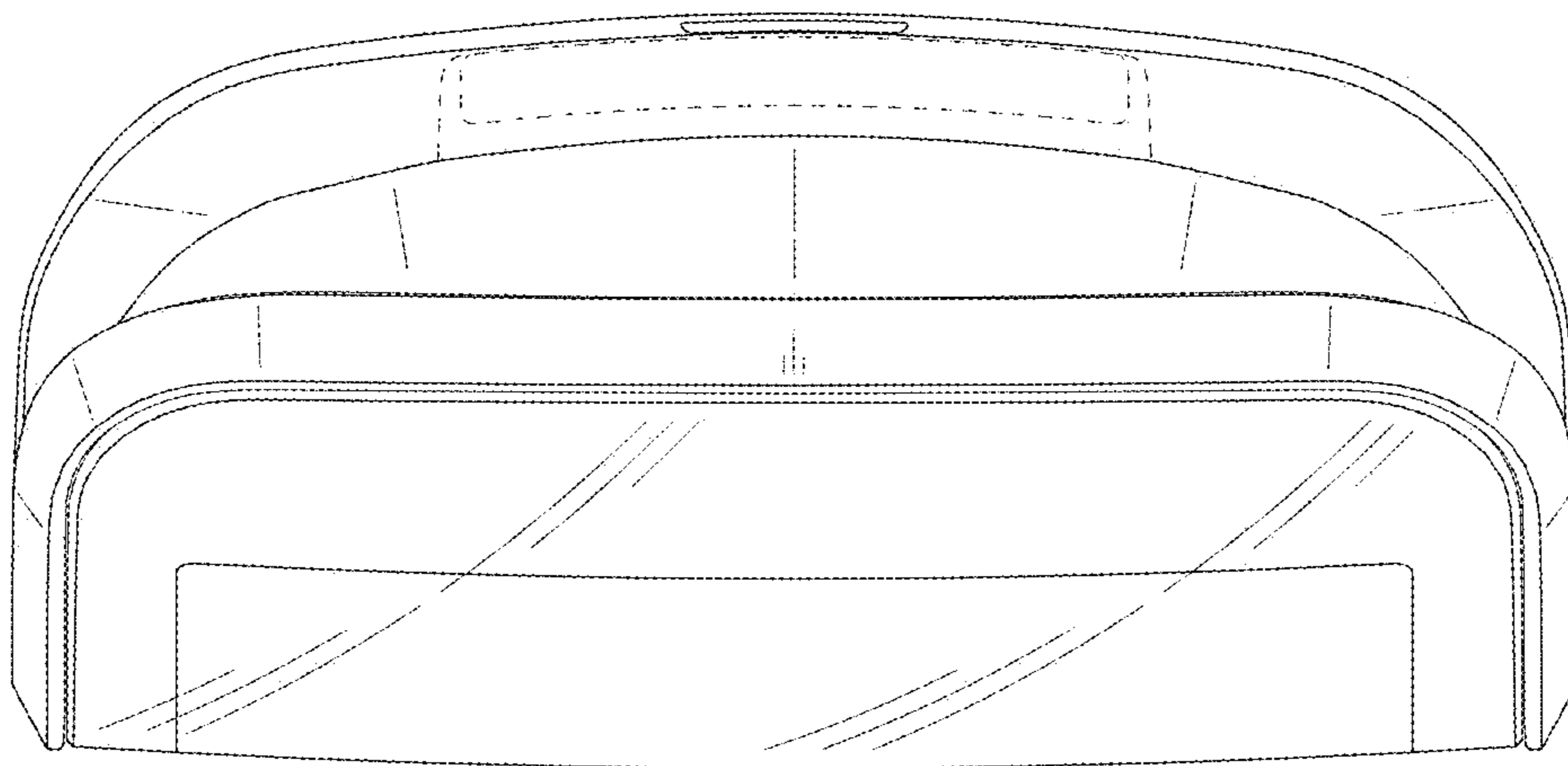




FIG. 7

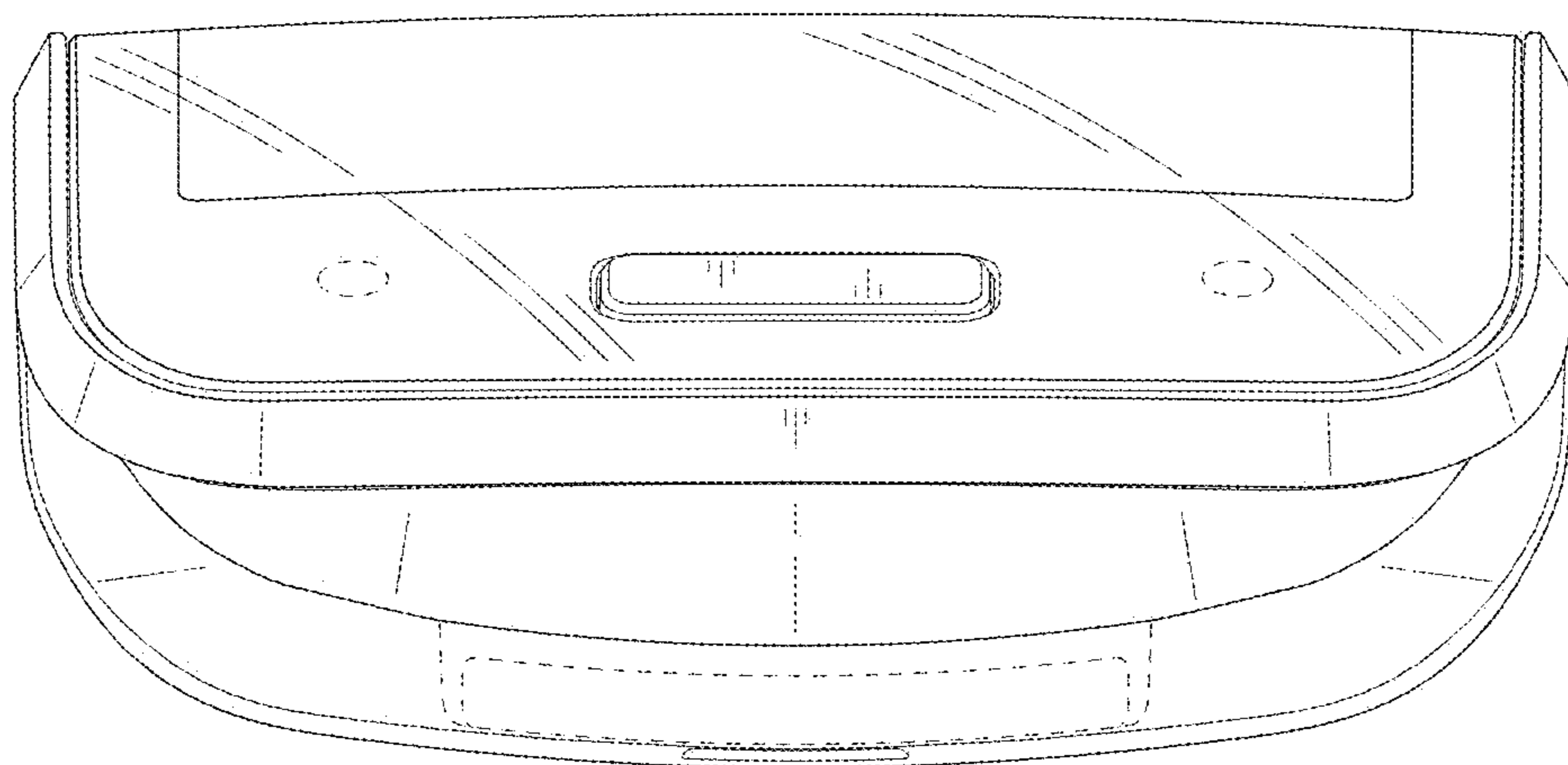


FIG. 8

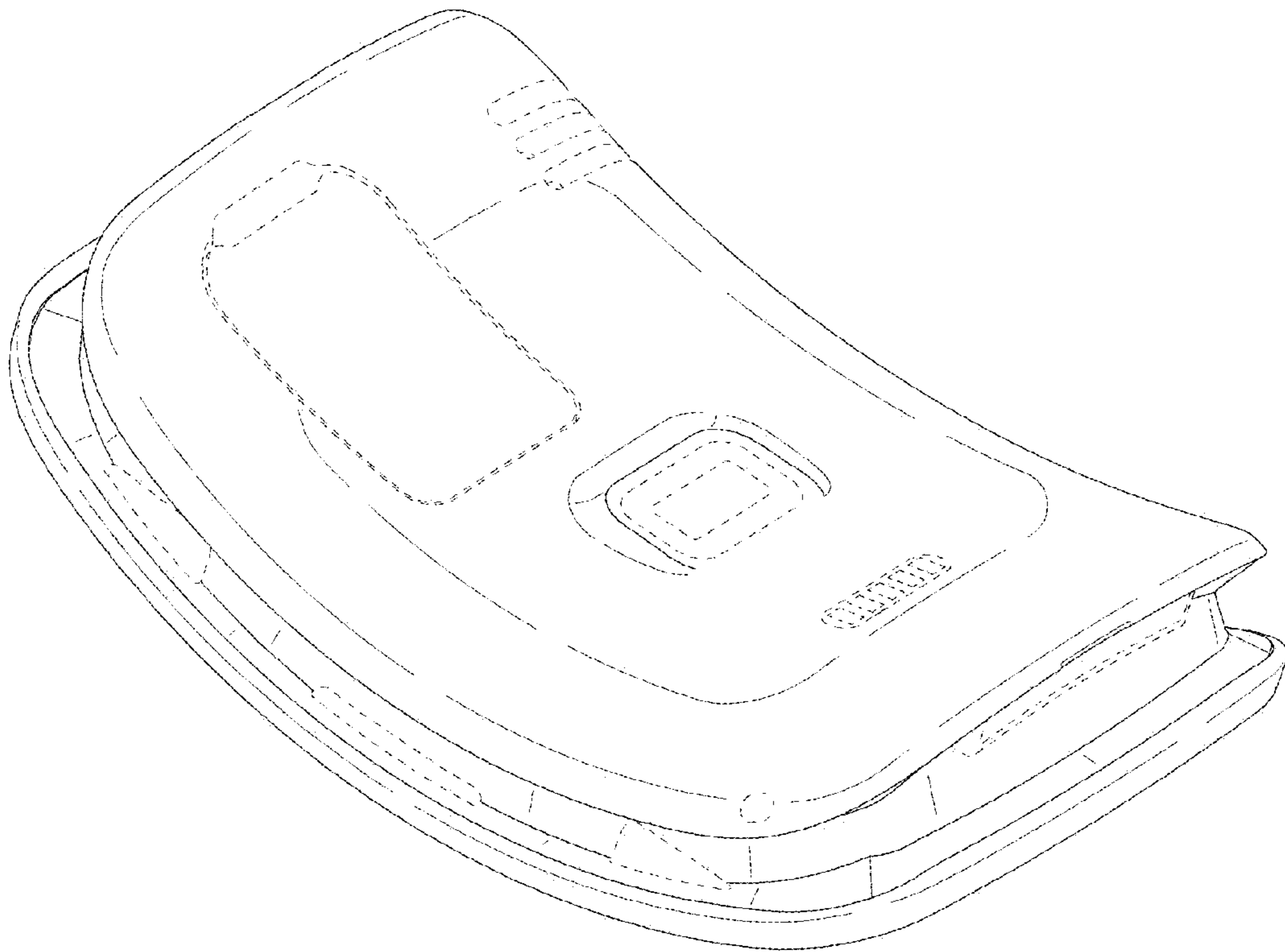


FIG. 9

