



US00D752580S

(12) **United States Design Patent**
Choi et al.

(10) **Patent No.:** **US D752,580 S**
(45) **Date of Patent:** **** *Mar. 29, 2016**

(54) **ELECTRONIC DEVICE**

(71) Applicant: **Samsung Electronics Co., Ltd.**,
Suwon-si (KR)
(72) Inventors: **Jaewoong Choi**, Seoul (KR); **Jeff Jones**,
San Francisco, CA (US); **Yongseok**
Bang, Yongin-si (KR); **Howard Nuk**,
San Francisco, CA (US); **Wonseok**
Choi, Seoul (KR); **Alex Millie**, San
Francisco, CA (US); **Jihyun Ko**, Seoul
(KR); **Seungmin Park**, Seoul (KR);
Hayoul Jung, Seoul (KR)

455/575.1, 575.3, 575.4, 575.6, 556.1,
455/556.2, 558, 90.3; 368/10, 13, 69, 223,
368/281, 282, 294, 295, 296; D21/329,
D21/513; D24/167, 186; 482/8
CPC H04B 1/03; H04B 1/385; G04G 9/00;
G04G 17/00; G04G 17/04; G04G 17/06;
G04G 17/083; H04M 1/0227; H04M 1/03;
H04M 1/04
See application file for complete search history.

(73) Assignee: **Samsung Electronics Co., Ltd.**,
Suwon-si (KR)

(*) Notice: This patent is subject to a terminal dis-
claimer.

(**) Term: **14 Years**

(21) Appl. No.: **29/508,901**

(22) Filed: **Nov. 12, 2014**

Related U.S. Application Data

(63) Continuation of application No. 29/499,944, filed on
Aug. 20, 2014.

Foreign Application Priority Data

Feb. 22, 2014 (KR) 30-2014-0009039

(51) **LOC (10) Cl.** **14-02**

(52) **U.S. Cl.**
USPC **D14/344**; D24/167; D10/32; D10/70

(58) **Field of Classification Search**
USPC D14/140, 137, 138 R, 138 AB, 139, 144,
D14/155, 167, 191, 192, 203.1, 203.3,
D14/203.4, 203.5, 203.7, 248, 226, 218,
D14/240, 344, 440, 341, 346, 448, 450,
D14/496; D10/30-32, 37-39, 65, 70, 77,
D10/78, 98, 104.1, 104.2, 125; D11/3-5,
D11/12, 19, 25; D13/168; D3/215;
D15/199; 381/364, 151; 379/433.1;

(56) **References Cited**

U.S. PATENT DOCUMENTS

D445,697 S * 7/2001 Hysek D10/30
D466,487 S * 12/2002 Wada et al. D14/138 R

(Continued)

FOREIGN PATENT DOCUMENTS

KR 30-2014-0001350 10/2014

OTHER PUBLICATIONS

Korean Office Action issued on May 13, 2015 in the Korean Patent
Office in corresponding Korean Design Application No. 30-2014-
0056331. (4 pages and a complete English Translation).

Primary Examiner — Susan Bennett Hattan

Assistant Examiner — Marie Fast Horse

(74) *Attorney, Agent, or Firm* — NSIP Law

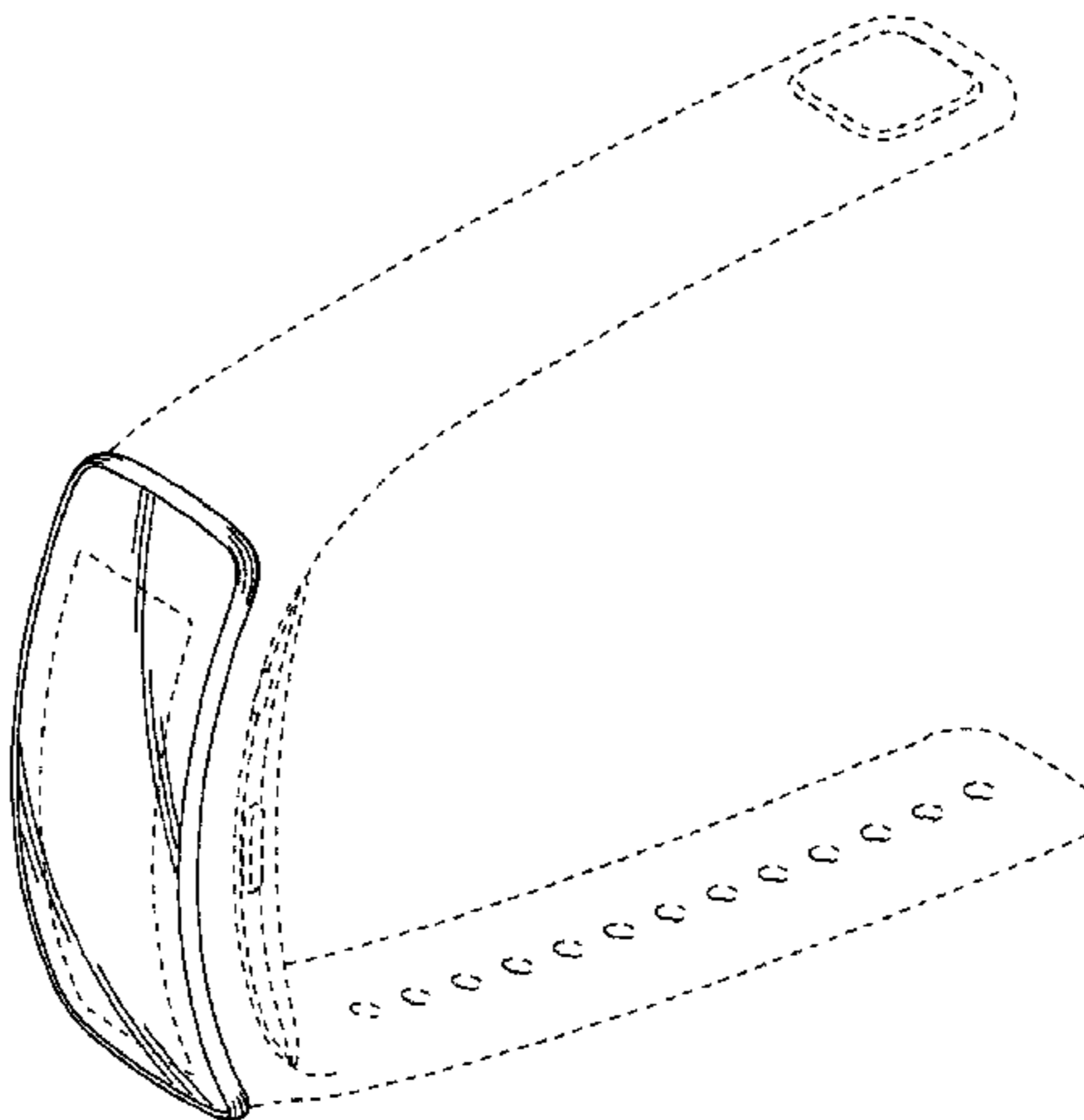
(57) **CLAIM**

We claim the ornamental design for an electronic device, as
shown and described.

DESCRIPTION

FIG. 1 is the front perspective view of an electronic device
showing our new design;
FIG. 2 is the front view thereof;
FIG. 3 is the rear view thereof;
FIG. 4 is the left-side view thereof;
FIG. 5 is the right-side view thereof;
FIG. 6 is the top-side plan view thereof; and,
FIG. 7 is the bottom-side plan view thereof.
The broken lines in the figures show portions of the electronic
device which form no part of the claimed design.

1 Claim, 7 Drawing Sheets



(56)

References Cited

U.S. PATENT DOCUMENTS

D568,768 S * 5/2008 Tang D10/30
 D576,501 S * 9/2008 Tang D10/32
 7,575,368 B2 * 8/2009 Guillaume 368/282
 D606,423 S * 12/2009 Mille D10/38
 D628,498 S * 12/2010 Arellano D10/38
 D703,069 S * 4/2014 Adams et al. D10/31
 D705,673 S * 5/2014 Arellano D10/38
 D709,476 S * 7/2014 Park et al. D14/138 R
 D715,668 S * 10/2014 Roush et al. D10/98
 D725,068 S * 3/2015 Cho et al. D14/138 R
 D726,052 S * 4/2015 Henning D10/98

D726,140 S * 4/2015 Park et al. D14/138 R
 D729,087 S * 5/2015 Phillips et al. D10/103
 D729,648 S * 5/2015 Phillips et al. D10/70
 D729,670 S * 5/2015 Nuovo et al. D10/103
 D729,671 S * 5/2015 Nuovo et al. D10/103
 D730,347 S * 5/2015 Jung et al. D14/344
 D731,898 S * 6/2015 Squires D10/30
 2005/0237704 A1 * 10/2005 Ceresoli 361/683
 2014/0121539 A1 * 5/2014 Chatterjee et al. 600/479
 2014/0241135 A1 * 8/2014 Racine et al. 368/309
 2015/0022957 A1 * 1/2015 Hiroki et al. 361/679.01
 2015/0098309 A1 * 4/2015 Adams et al. 368/10
 2015/0105221 A1 * 4/2015 Roush et al. 482/8

* cited by examiner

Fig. 1

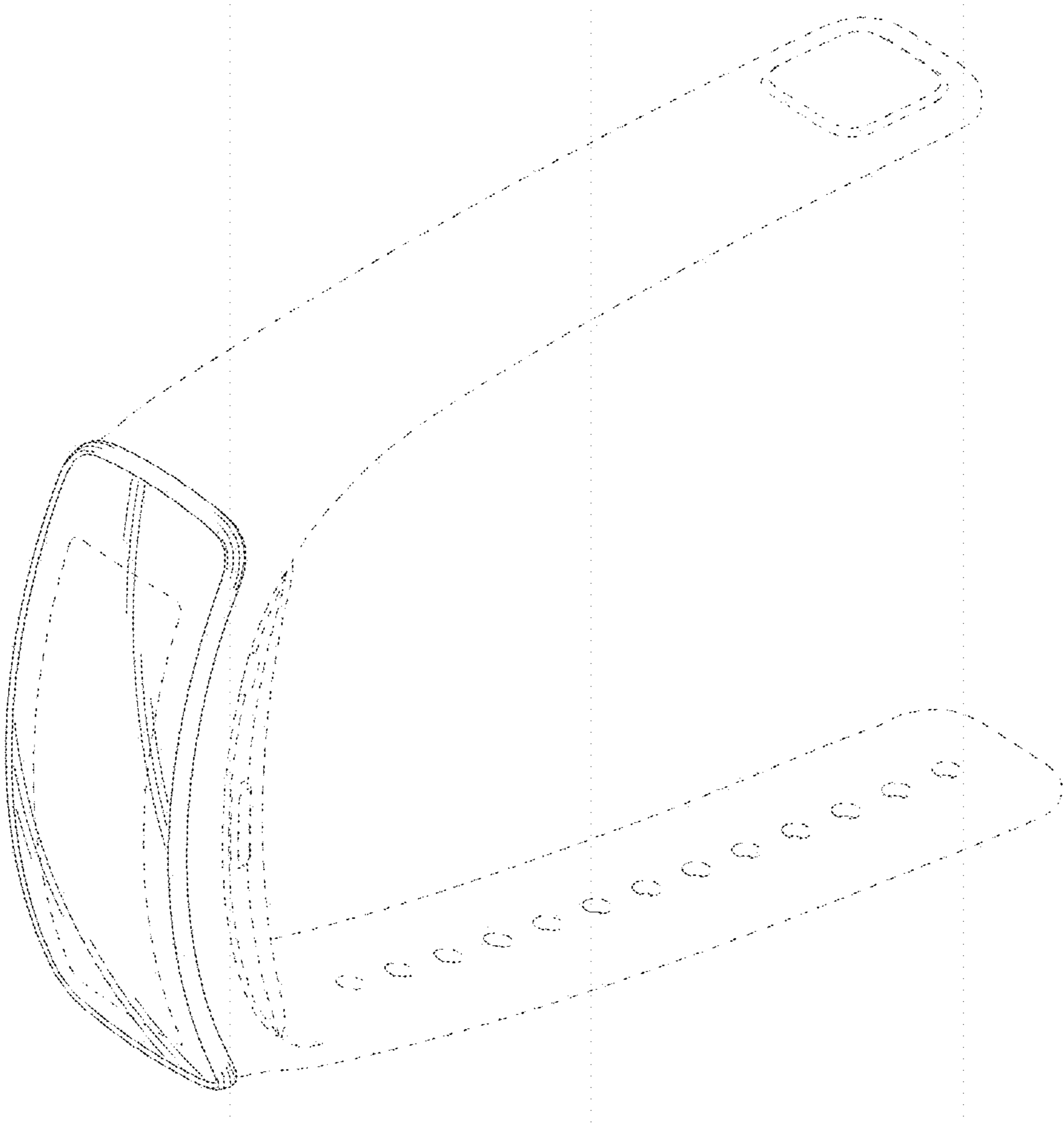


Fig. 2

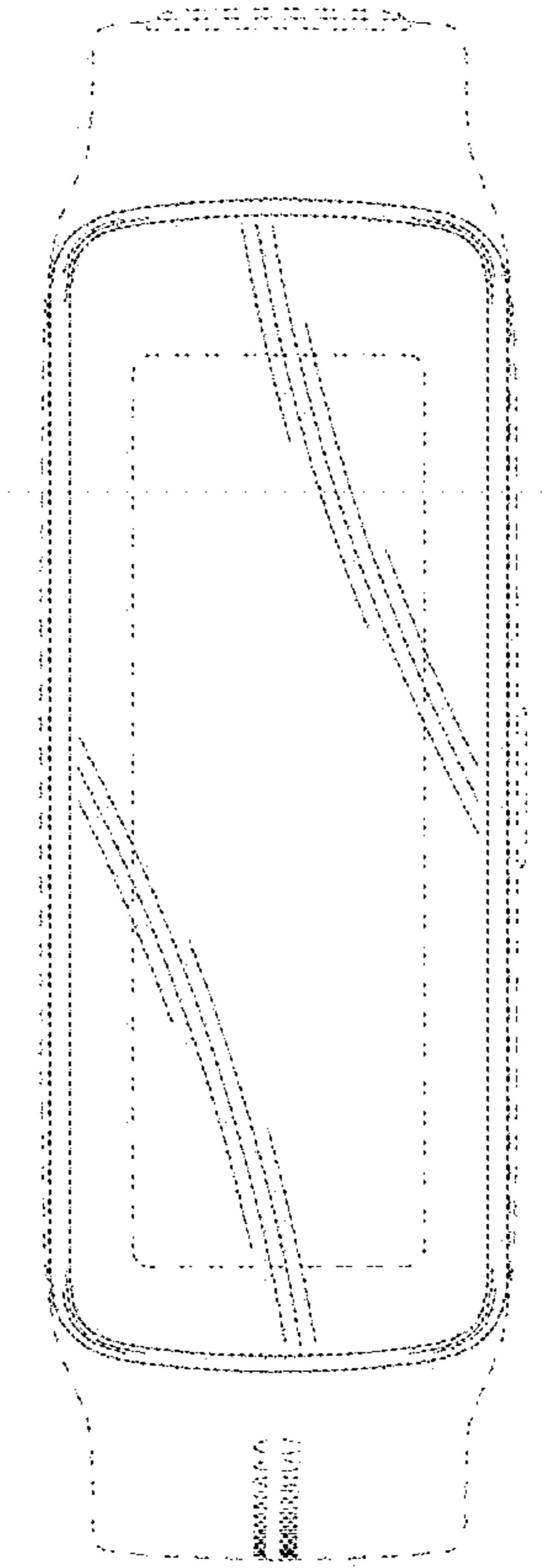


Fig. 3

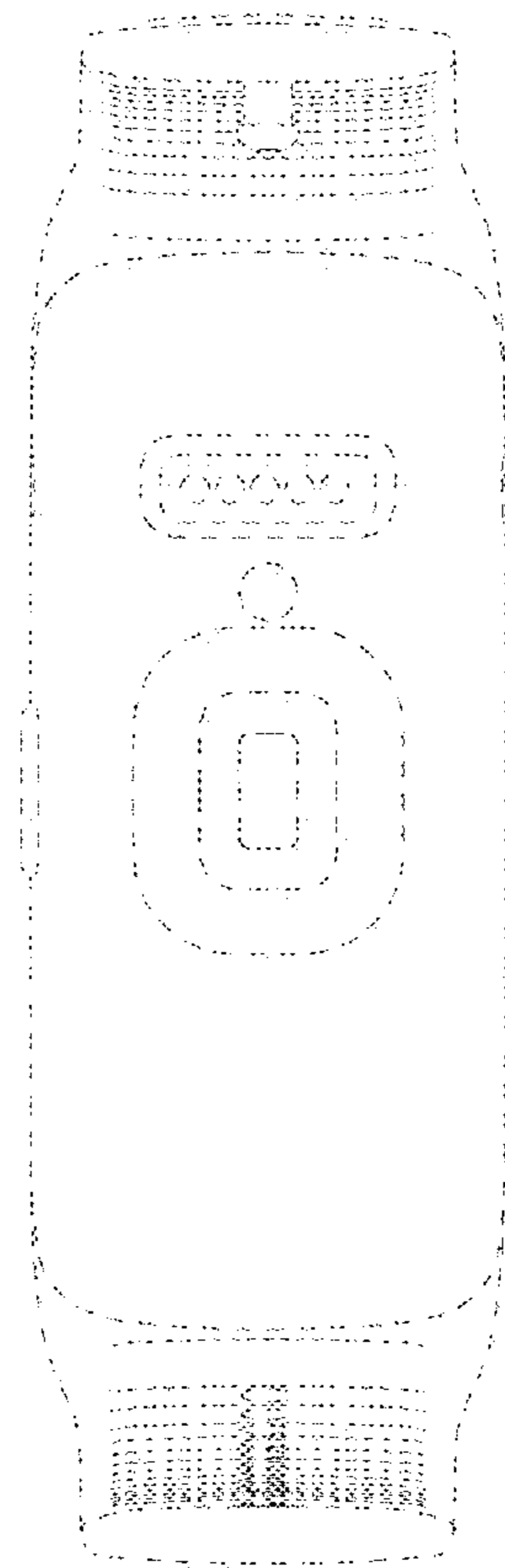


Fig. 4

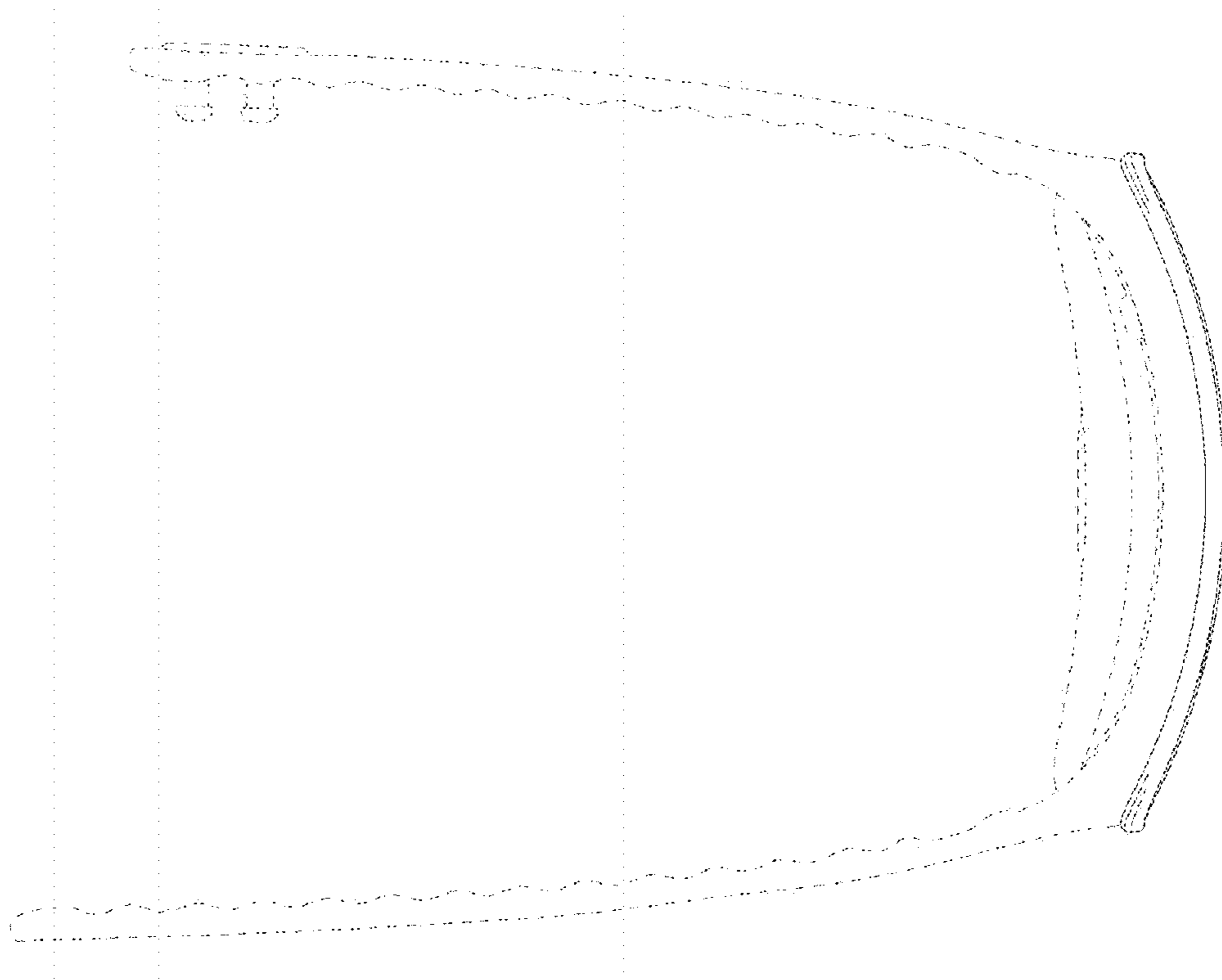


Fig. 5

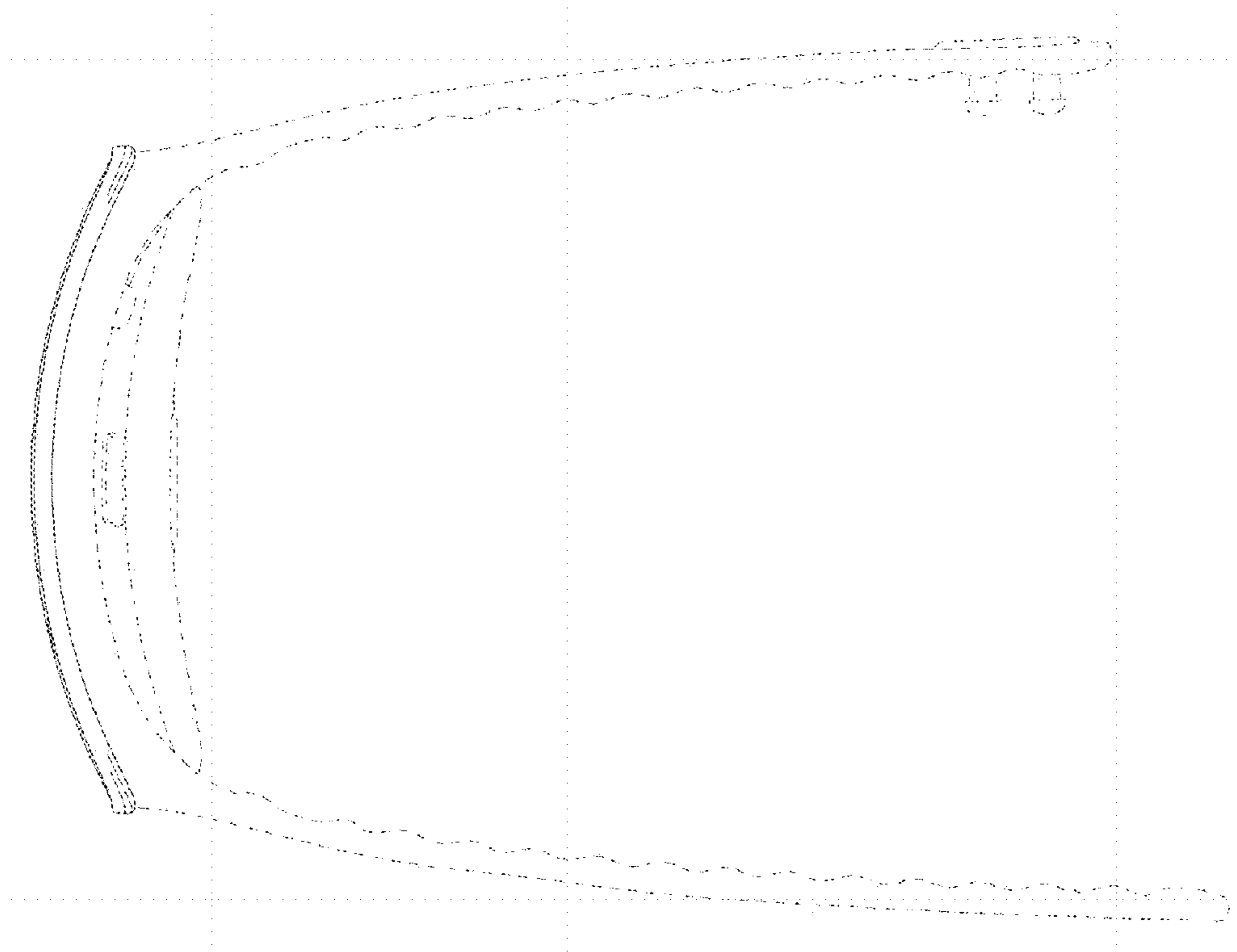


Fig. 6

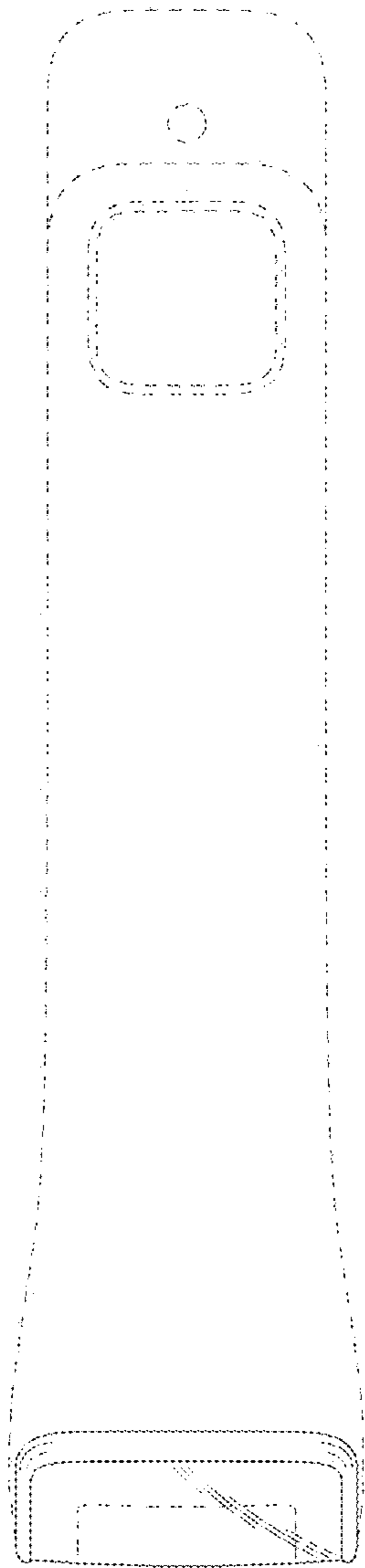


Fig. 7

