



US00D752578S

(12) **United States Design Patent**  
**Ji et al.**

(10) **Patent No.:** **US D752,578 S**  
(45) **Date of Patent:** **\*\* Mar. 29, 2016**

(54) **MOBILE PHONE**

(71) Applicant: **LG Electronics Inc.**, Seoul (KR)

(72) Inventors: **Seunghyun Ji**, Seoul (KR); **Hyunwoo Yoo**, Seoul (KR)

(73) Assignee: **LG Electronics Inc.**, Seoul (KR)

(\*\*) Term: **14 Years**

(21) Appl. No.: **29/497,059**

(22) Filed: **Jul. 21, 2014**

(30) **Foreign Application Priority Data**

Jan. 22, 2014 (KR) ..... 30-2014-0003505

(51) **LOC (10) Cl.** ..... **14-02**

(52) **U.S. Cl.**  
USPC ..... **D14/344**

(58) **Field of Classification Search**  
USPC ..... D14/140, 137, 138 R, 138 AB, 139, 144,  
D14/155, 167, 191, 192, 203.1, 203.3,  
D14/203.4, 203.5, 203.7, 248, 226, 218,  
D14/240, 344, 440, 341, 346, 448, 450,  
D14/496; D10/30-32, 37-39, 65, 70, 77,  
D10/78, 98, 104.1, 104.2, 125; D11/3-5,  
D11/12, 19, 25; D13/168; D3/215;  
D15/199; 381/364, 151; 379/433.1;  
455/575.1, 575.3, 575.4, 575.6, 556.1,  
455/556.2, 558, 90.3; 368/10, 13, 69, 223,  
368/281, 282, 294, 295, 296; D21/329,  
D21/513; D24/167, 186  
CPC ..... H04B 1/03; H04B 1/385; G04G 9/00;  
G04G 17/00; G04G 17/04; G04G 17/06;  
G04G 17/083; H04M 1/0227; H04M 1/03;  
H04M 1/04

See application file for complete search history.

(56) **References Cited**

U.S. PATENT DOCUMENTS

D103,455	S	*	3/1937	Katz	.....	D10/38
D236,592	S	*	9/1975	Portmann	.....	D10/32
D238,758	S	*	2/1976	Schulthess	.....	D10/38
D249,024	S	*	8/1978	Ackerman	.....	D10/30
4,419,770	A	*	12/1983	Yagi et al.	.....	455/301
D279,671	S	*	7/1985	Stanton	.....	D14/192
D296,675	S	*	7/1988	Jones et al.	.....	D10/31
D296,993	S	*	8/1988	Givings	.....	D10/32
D297,312	S	*	8/1988	Ishizaka	.....	D10/32
D299,028	S	*	12/1988	Hermann	.....	D14/344
D299,463	S	*	1/1989	Hermann	.....	D14/344
5,235,560	A	*	8/1993	Seager	.....	368/10
D383,073	S	*	9/1997	Miller	.....	D10/31

(Continued)

OTHER PUBLICATIONS

12 Star Trek gadgets that became reality. slipperybrick.com (online)  
1 pg. Uploaded: Jan. 29, 2008 [retrieved on Jun. 22, 2015]. Retrieved  
from Internet: <<http://www.slipperybrick.com/2008/01/star-trek-gadgets/>>.\*

*Primary Examiner* — Susan Bennett Hattan

*Assistant Examiner* — Marie Fast Horse

(74) *Attorney, Agent, or Firm* — Morgan, Lewis & Bockius  
LLP

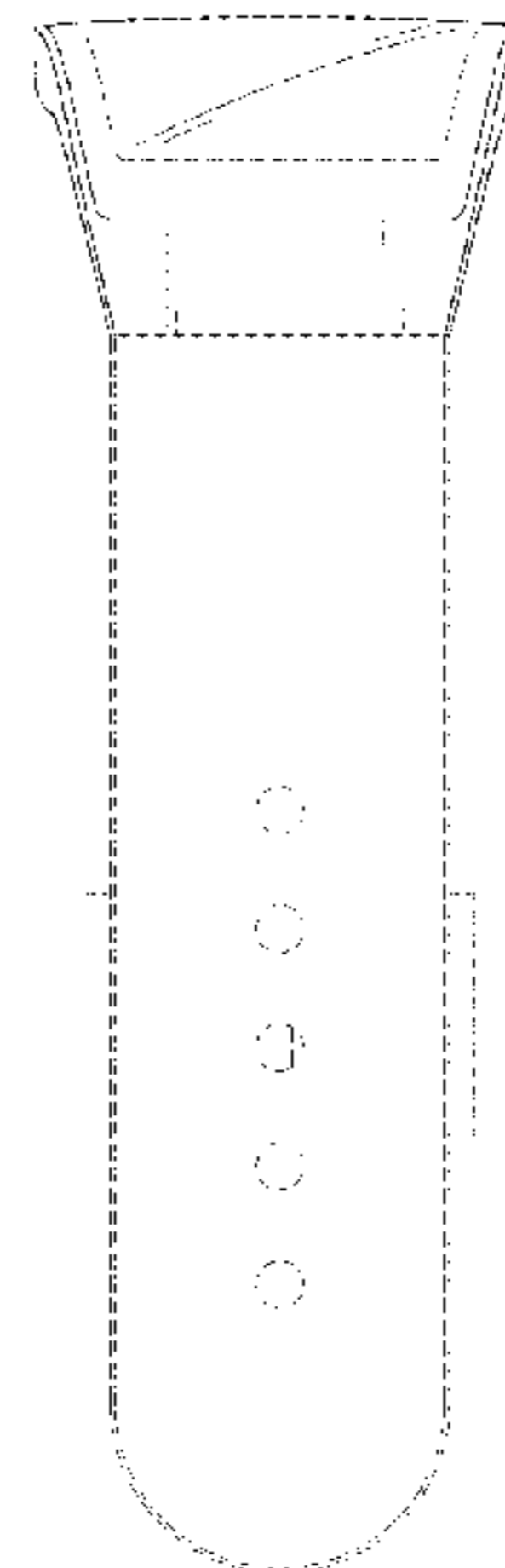
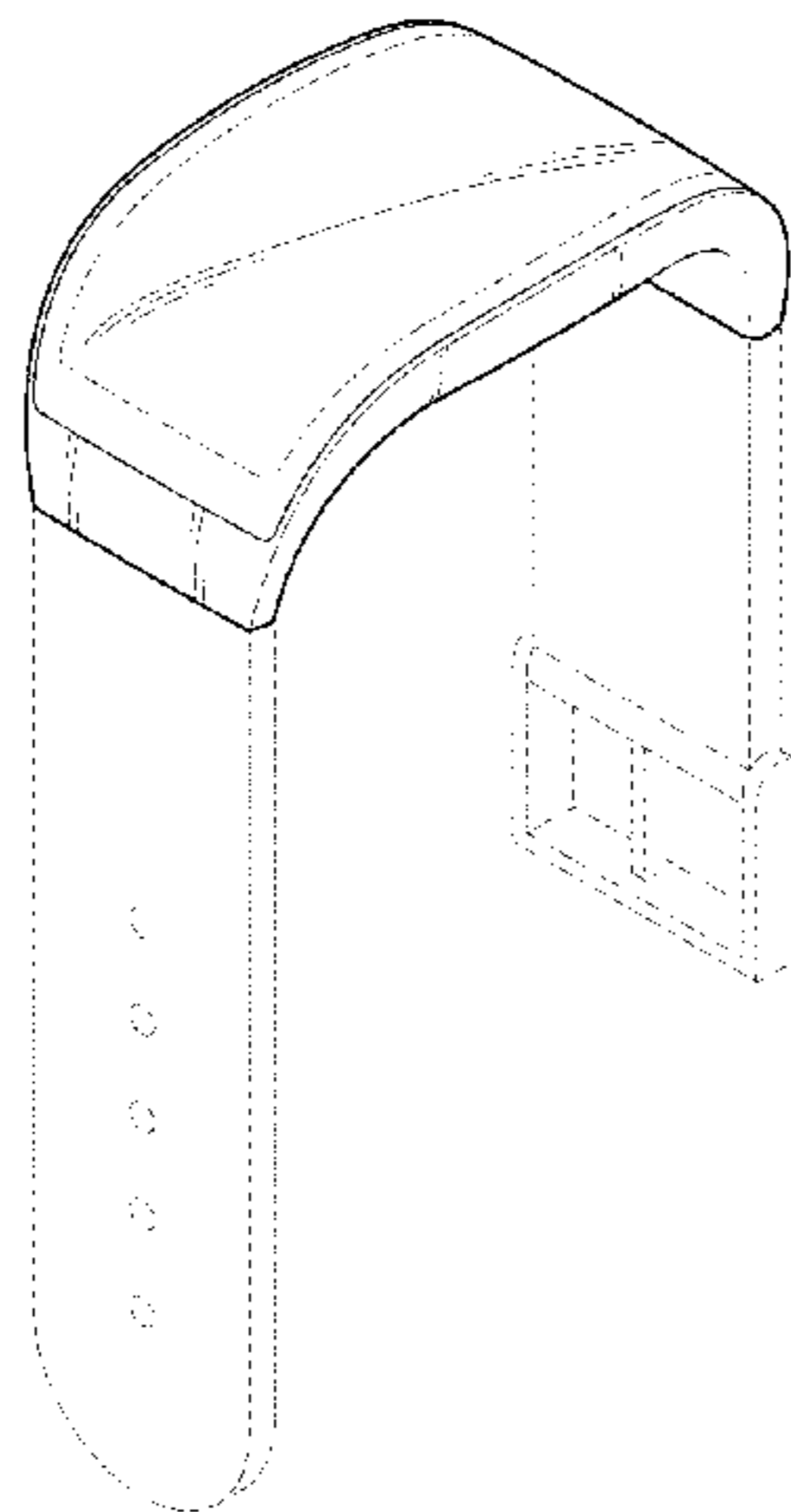
(57) **CLAIM**

The ornamental design for a mobile phone, as shown and  
described.

**DESCRIPTION**

FIG. 1 is a perspective view of a mobile phone showing our  
new design;  
FIG. 2 is a front view thereof;  
FIG. 3 is a rear view thereof;  
FIG. 4 is a left side view thereof where the right side view is  
a mirror image;  
FIG. 5 is a top plan view thereof; and,  
FIG. 6 is a bottom plan view thereof.  
The broken lines depict parts of the mobile phone that form no  
part of the claimed design.

**1 Claim, 5 Drawing Sheets**



(56)

References Cited

U.S. PATENT DOCUMENTS

D399,433 S *	10/1998	Bruce et al. ....	D10/30	D720,074 S *	12/2014	Suvilaakso et al. ....	D24/167
D410,854 S *	6/1999	Cheung et al. ....	D10/39	D725,068 S *	3/2015	Cho et al. ....	D14/138 R
D488,391 S *	4/2004	Kume .....	D10/32	D726,140 S *	4/2015	Park et al. ....	D14/138 R
D496,590 S *	9/2004	Chung et al. ....	D10/31	D727,188 S *	4/2015	Sullivan et al. ....	D10/98
D539,670 S *	4/2007	Behling .....	D10/32	D727,195 S *	4/2015	Wanliss-Orlebar et al. ....	D11/3
D543,192 S *	5/2007	Jung .....	D14/138 R	D727,759 S *	4/2015	Martinez et al. ....	D10/70
D568,768 S *	5/2008	Tang .....	D10/30	D729,238 S *	5/2015	Song .....	D14/344
D589,375 S *	3/2009	Tang .....	D10/32	D730,210 S *	5/2015	Song .....	D10/70
D610,476 S *	2/2010	Daniel .....	D10/65	D730,348 S *	5/2015	Grifoni .....	D14/344
7,828,697 B1 *	11/2010	Oberrieder et al. ....	482/8	2006/0202618 A1 *	9/2006	Ishii et al. ....	313/513
D636,686 S *	4/2011	Cobbett et al. ....	D10/38	2006/0203621 A1 *	9/2006	Brodmann .....	368/281
D665,952 S *	8/2012	Guo .....	D30/152	2009/0201767 A1 *	8/2009	Caldwell .....	368/10
D679,199 S *	4/2013	Mille .....	D10/39	2013/0211204 A1 *	8/2013	Caduff et al. ....	600/300
D709,476 S *	7/2014	Park et al. ....	D14/138 R	2013/0261405 A1 *	10/2013	Lee et al. ....	600/301
D719,123 S *	12/2014	Park et al. ....	D14/138 R	2014/0295918 A1 *	10/2014	Grifoni et al. ....	455/566
				2015/0063075 A1 *	3/2015	Baek et al. ....	368/10
				2015/0099472 A1 *	4/2015	Ickovic .....	455/66.1

\* cited by examiner

FIG. 1

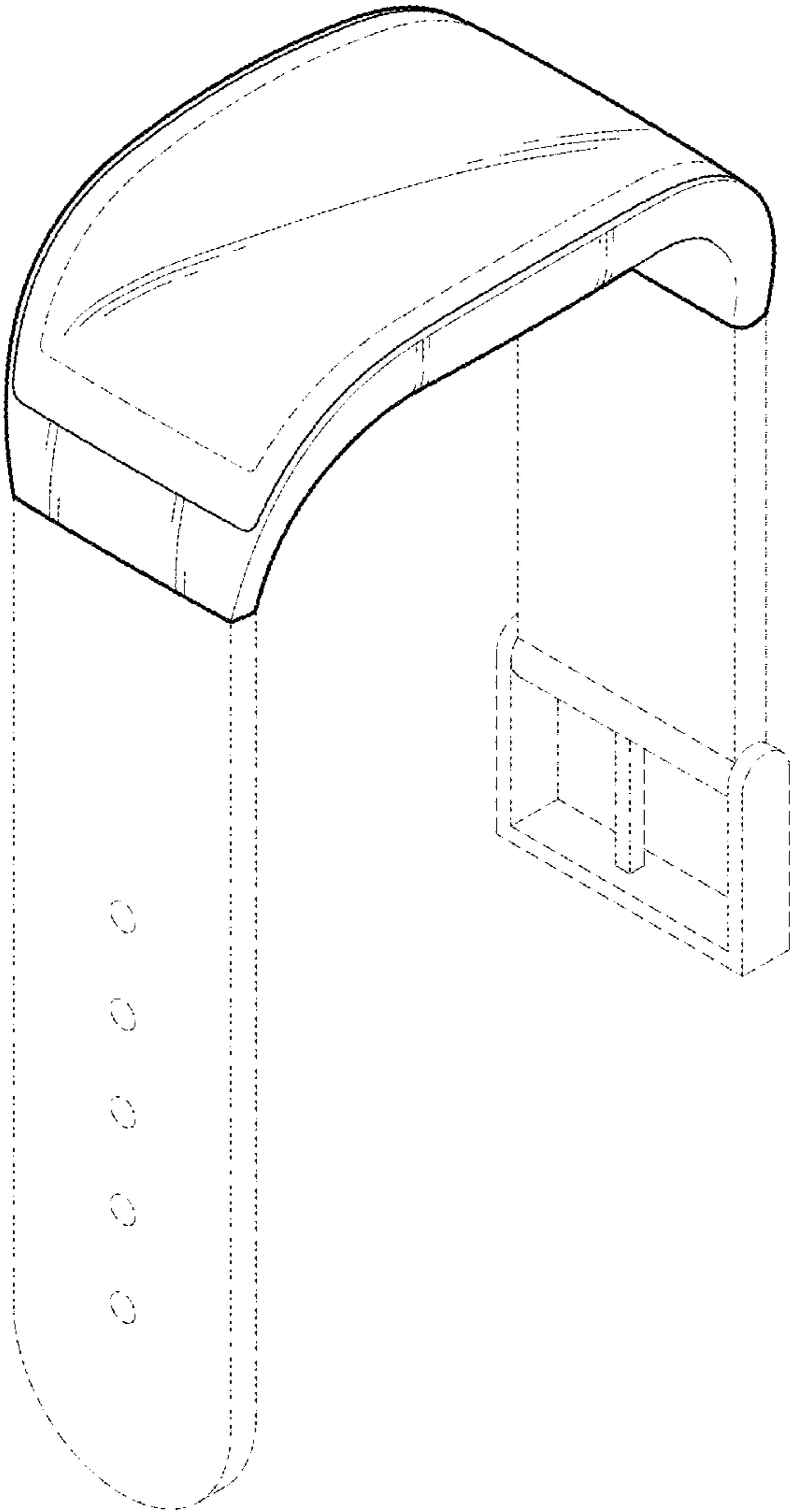


FIG. 2

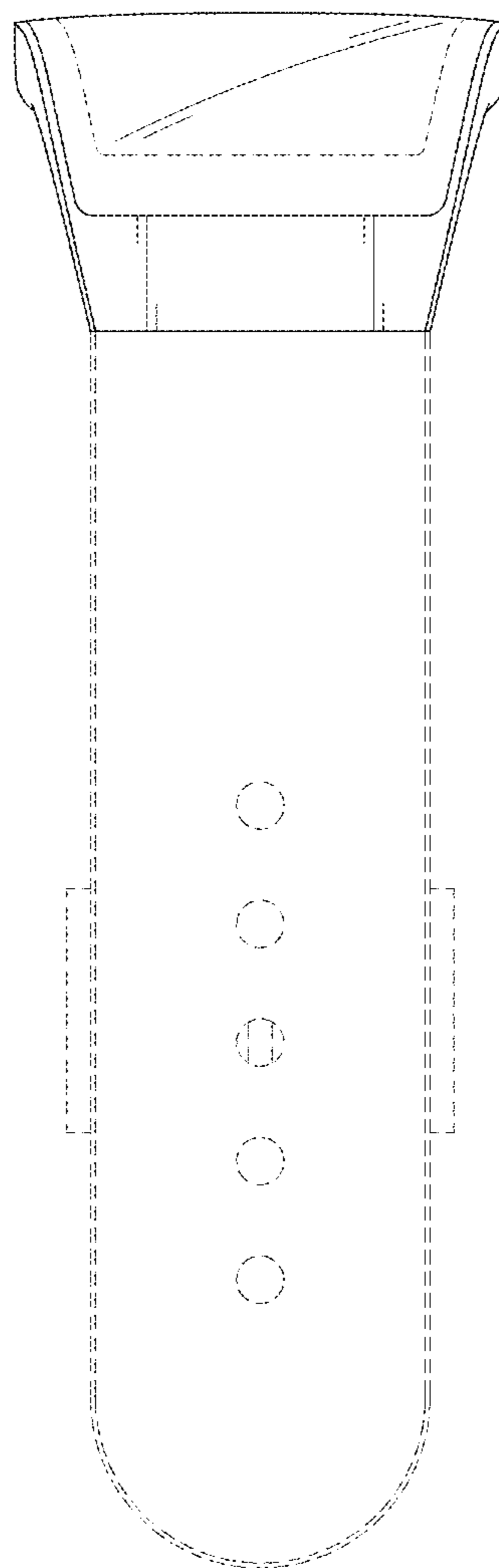


FIG. 3

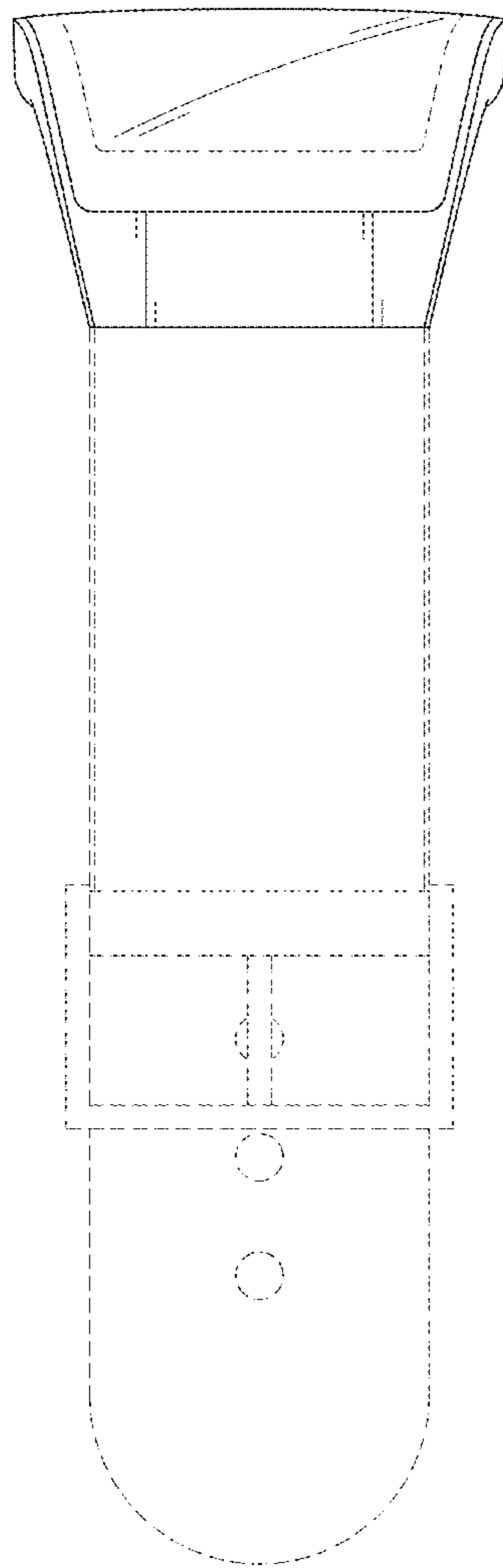


FIG. 4

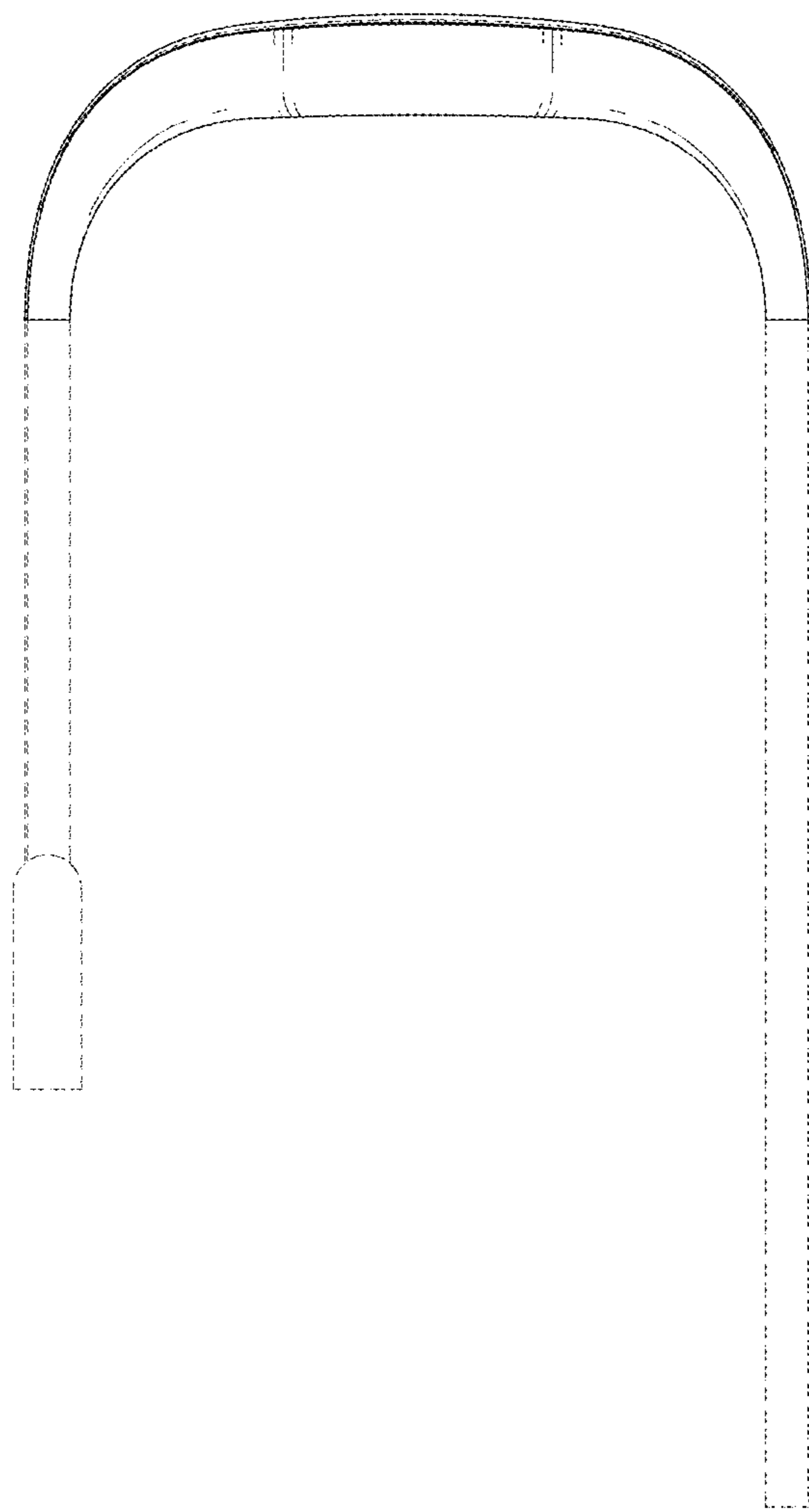


FIG. 5

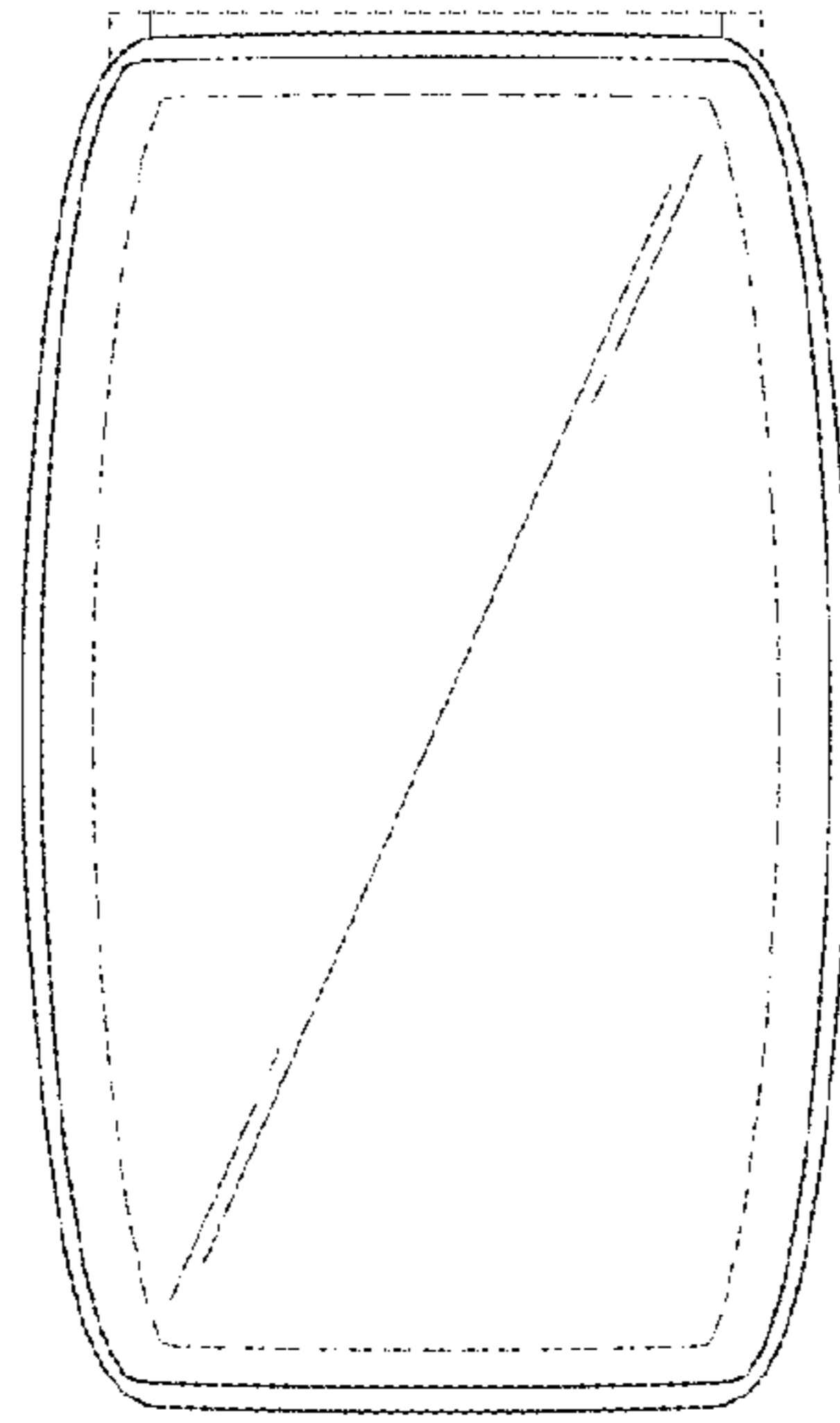


FIG. 6

