

US00D752573S

(12) **United States Design Patent**
Ballman et al.

(10) **Patent No.:** **US D752,573 S**
(45) **Date of Patent:** **** Mar. 29, 2016**

- (54) **WAGERING KIOSK**
- (71) Applicant: **XeraFlop Technologies Inc.**, Vancouver (CA)
- (72) Inventors: **Glenn Stacey Ballman**, Calgary (CA); **Glenn Colegate**, Telford (GB)
- (73) Assignee: **XeraFlop Technologies Inc.**, Vancouver (CA)

D717,784 S *	11/2014	Collins	D14/307
D723,538 S *	3/2015	Catoe	D14/307
D727,307 S *	4/2015	Kraft	D14/307
D732,520 S *	6/2015	Themann	D14/307
D742,870 S *	11/2015	Berini	D14/307
2007/0205277 A1 *	9/2007	Tashiro	A47F 9/047 235/383
2007/0235531 A1 *	10/2007	Addison	A47F 9/04 235/383
2013/0191170 A1 *	7/2013	Jarrett	G06Q 40/08 705/4
2013/0226632 A1 *	8/2013	Gilbert	G06Q 10/02 705/5

(**) Term: **14 Years**

* cited by examiner

- (21) Appl. No.: **29/518,099**
- (22) Filed: **Feb. 19, 2015**
- (51) **LOC (10) Cl.** **14-02**
- (52) **U.S. Cl.**
USPC **D14/307**
- (58) **Field of Classification Search**
USPC D14/302, 303, 304, 305, 306, 307, 900,
D14/902; D13/163, 162; 187/395, 396;
361/679.02, 679.21; D20/10; D21/332,
D21/325; D10/108
CPC G06Q 20/18; G06Q 20/10; G06Q 20/123;
G06Q 20/20; G06Q 30/02; G06Q 30/06;
A47F 9/047
See application file for complete search history.

Primary Examiner — Austin Murphy

(74) *Attorney, Agent, or Firm* — Todd A. Rattray; Oyen Wiggs Green & Mutala LLP

(57) **CLAIM**

The ornamental design for a wagering kiosk, as shown and described.

DESCRIPTION

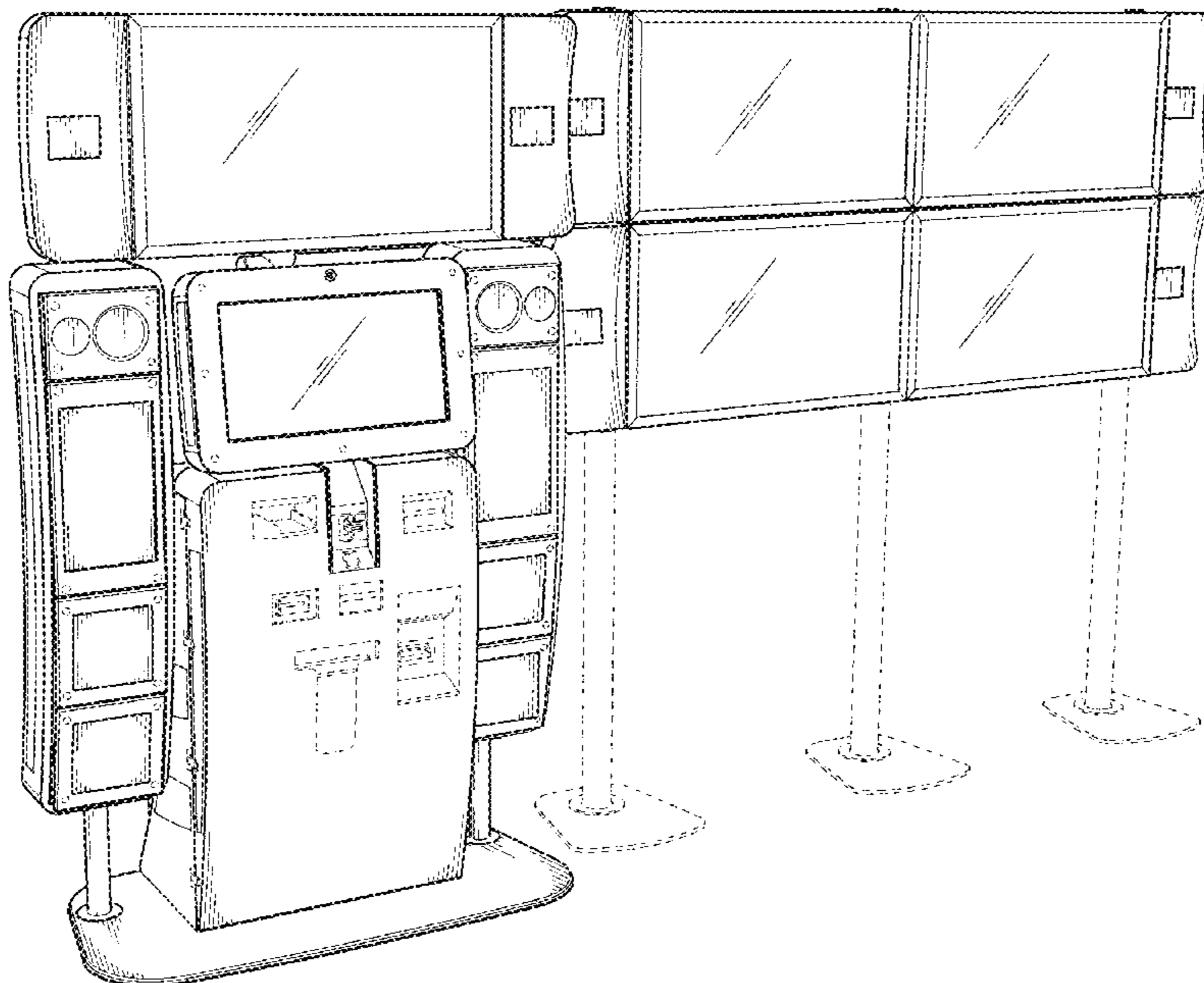
FIG. 1 is a perspective view of the wagering kiosk; FIG. 2 is a front view of the wagering kiosk; FIG. 3 is a rear view of the wagering kiosk; FIG. 4 is a top view of the wagering kiosk; FIG. 5 is a bottom view of the wagering kiosk; FIG. 6 is a left side view of the wagering kiosk; FIG. 7 is a right side view of the wagering kiosk; and, FIG. 8 is a perspective view of the wagering kiosk. The features shown in broken lines are for illustrative purposes only and form no part of the claimed design.

(56) **References Cited**

U.S. PATENT DOCUMENTS

D639,800 S *	6/2011	Magruder	D14/307
D708,676 S *	7/2014	Ballman	D14/307

1 Claim, 6 Drawing Sheets



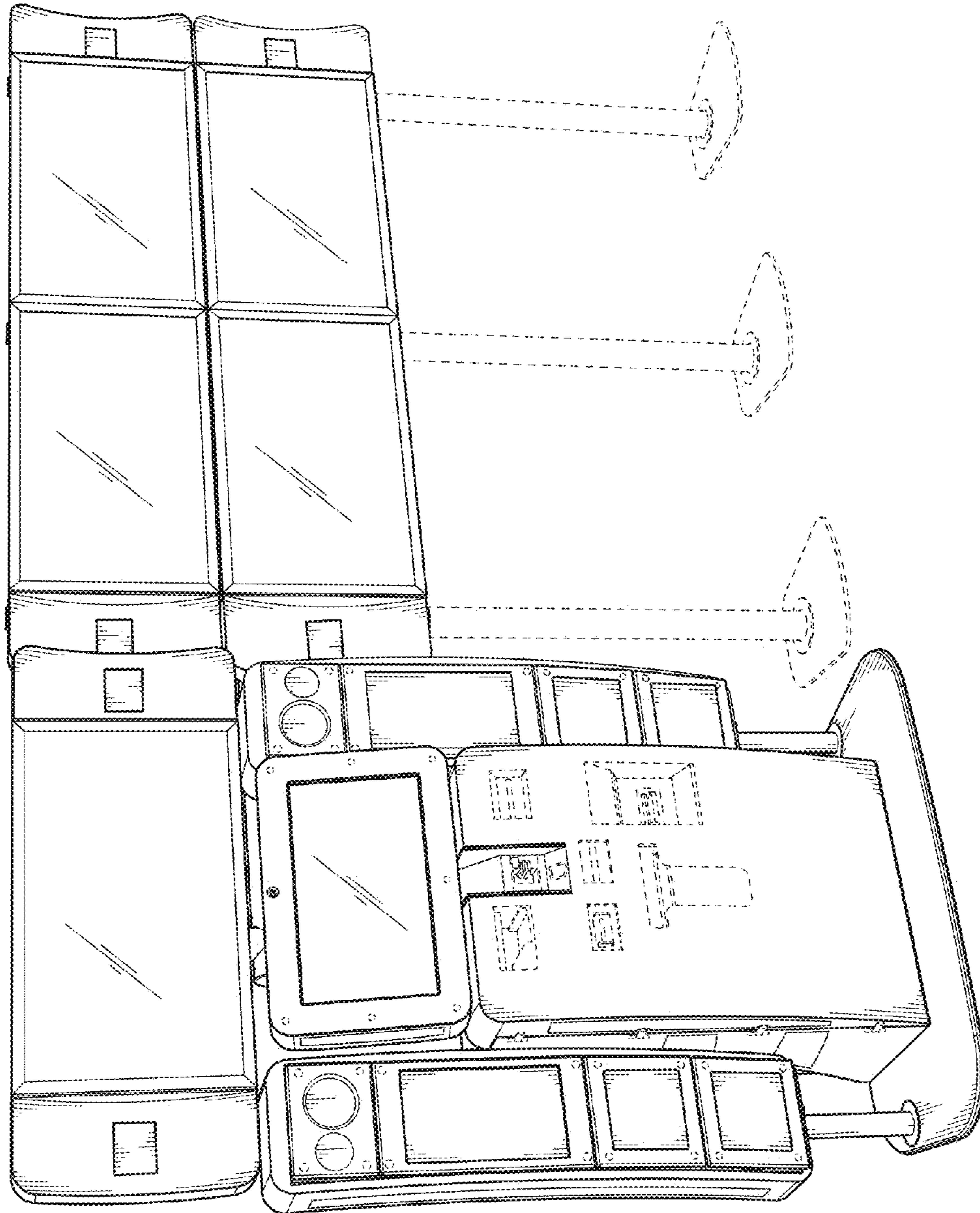


FIG. 1

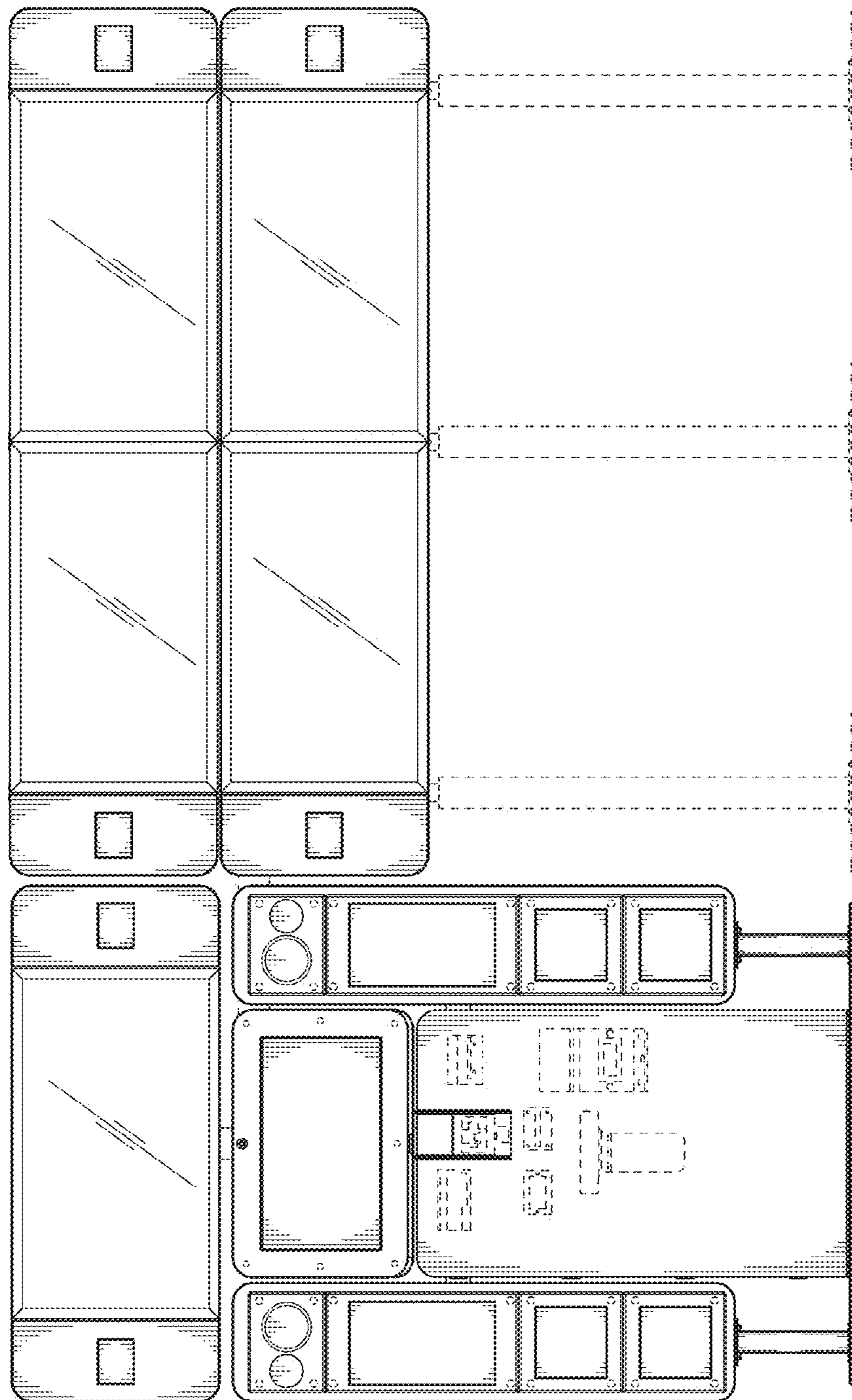


FIG. 2

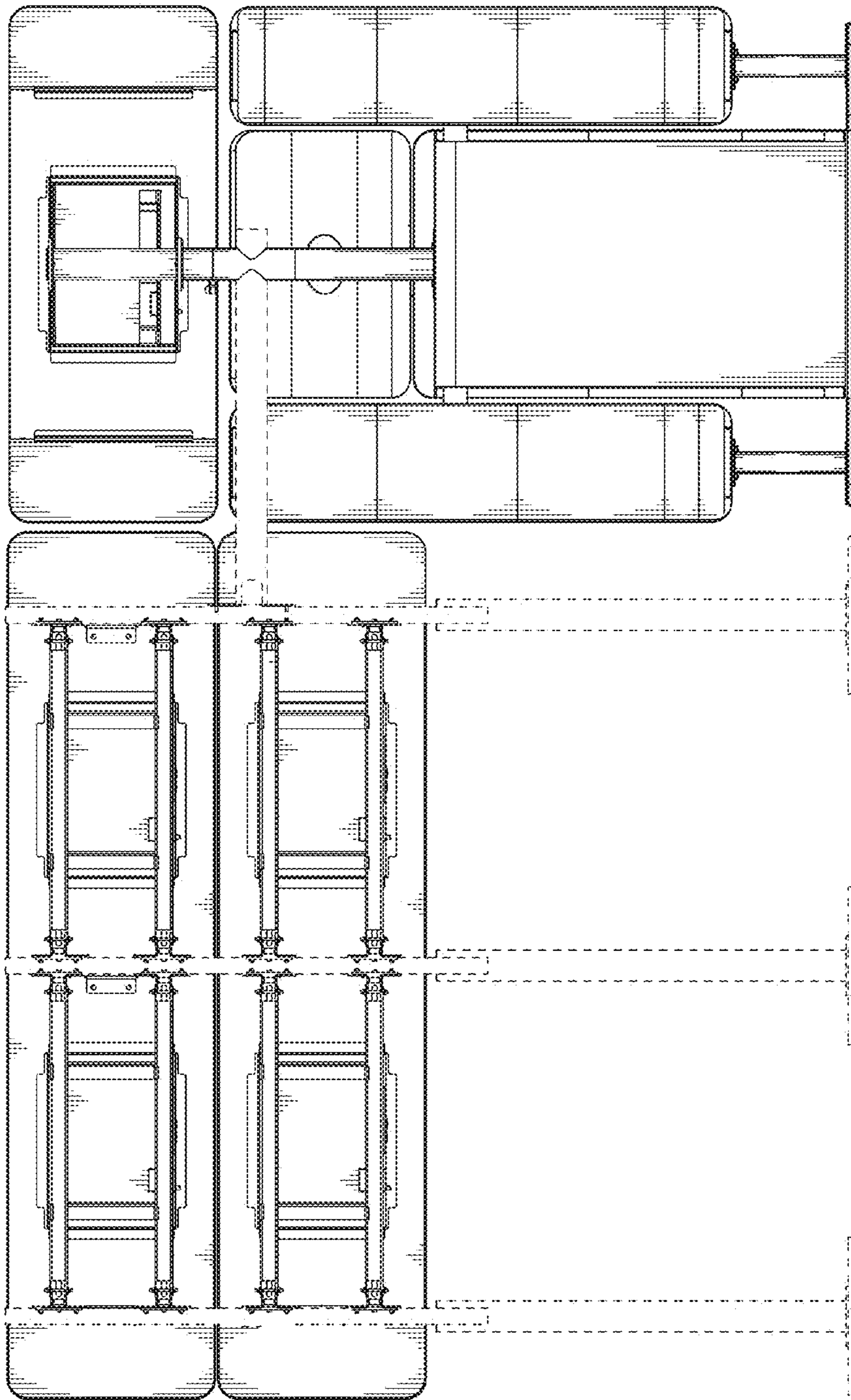


FIG. 3

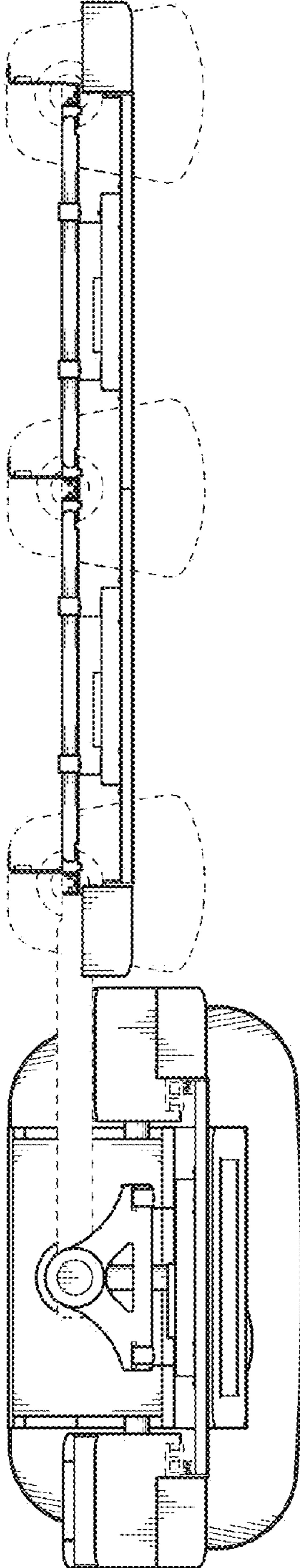


FIG. 4

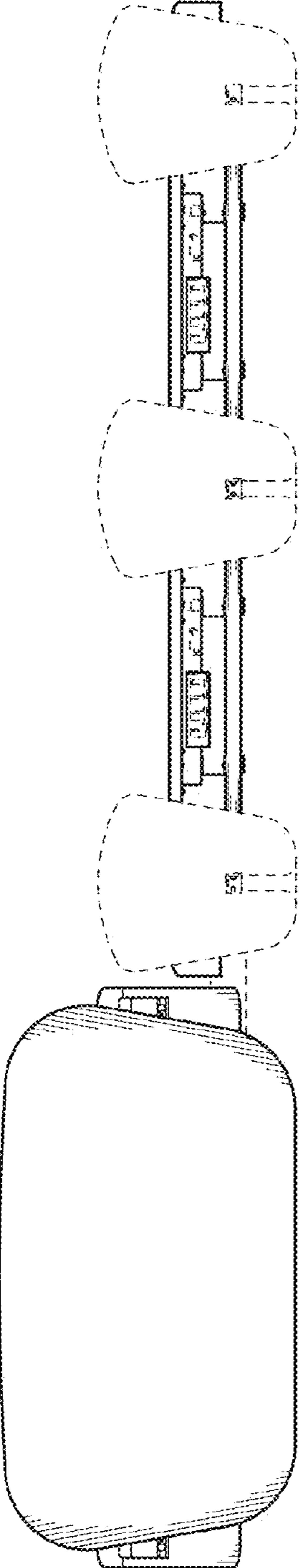


FIG. 5

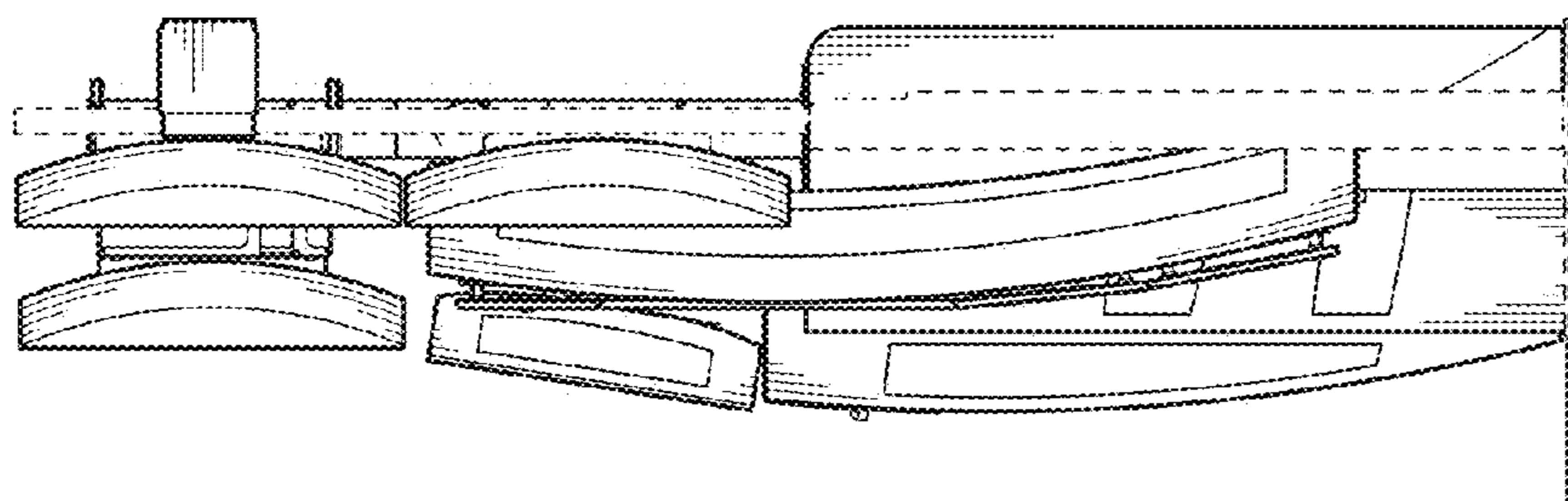


FIG. 7

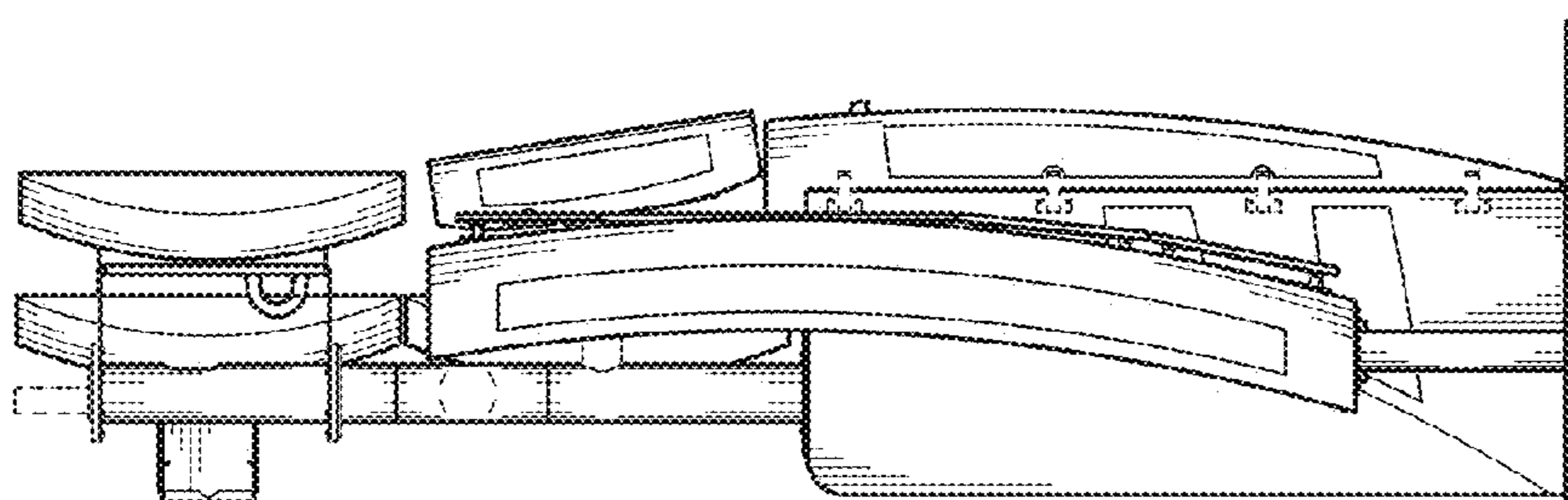


FIG. 6

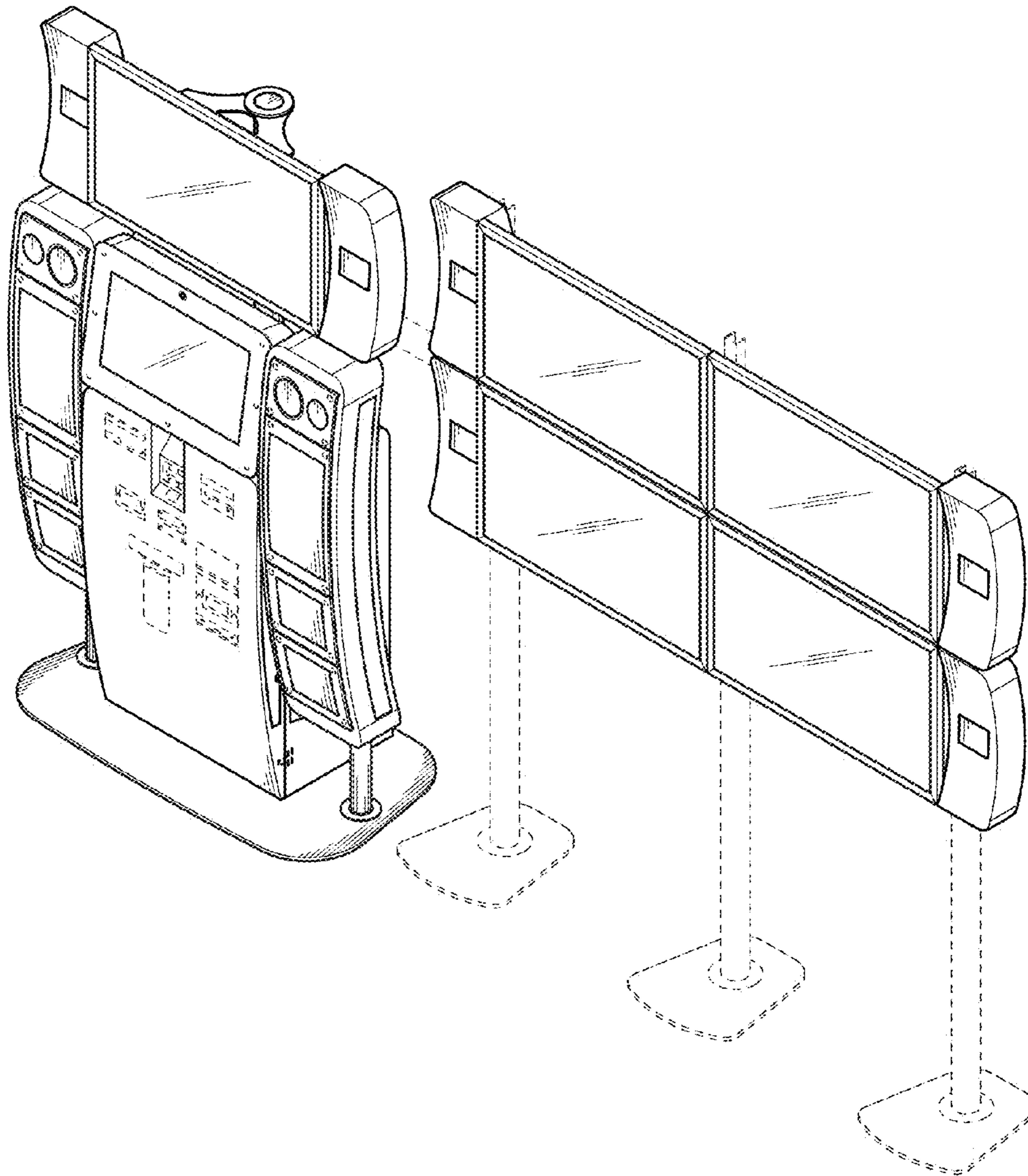


FIG. 8