



US00D752572S

(12) **United States Design Patent**
Kohler et al.

(10) **Patent No.:** **US D752,572 S**
(45) **Date of Patent:** **** Mar. 29, 2016**

(54) **CONTROL CONSOLE**

(71) Applicant: **Agie Charmilles SA**, Losone (CH)
(72) Inventors: **William Kohler**, La Chaux-de-Fonds (CH); **Patrick Ammon**, Brugg (CH)
(73) Assignee: **Agie Charmilles SA**, Losone (CH)
(**) Term: **14 Years**

(21) Appl. No.: **29/479,379**

(22) Filed: **Jan. 15, 2014**

(30) **Foreign Application Priority Data**

Sep. 11, 2013 (WO) DM/081 717

(51) **LOC (10) Cl.** **14-02**

(52) **U.S. Cl.**
USPC **D14/302**

(58) **Field of Classification Search**
USPC D14/300, 307, 308, 217, 331, 434, 451,
D14/356; D15/10, 140, 141; D8/1, 14, 499
CPC G06F 1/1626; G06F 1/1688; G06Q 20/18
See application file for complete search history.

(56) **References Cited**

U.S. PATENT DOCUMENTS

D349,290	S	*	8/1994	Christensen et al.	D14/217
5,675,557	A	*	10/1997	Hubinger	369/4
D473,227	S	*	4/2003	Hussaini et al.	D14/356
D499,394	S	*	12/2004	Suzuki	D14/217
D543,209	S	*	5/2007	Bae	D14/451
D553,106	S	*	10/2007	Griffin	D14/434
D619,157	S	*	7/2010	Kim et al.	D16/242
D650,380	S	*	12/2011	Ballout	D14/331
D660,287	S	*	5/2012	McManigal	D14/217

* cited by examiner

Primary Examiner — Freda S Nunn

(74) *Attorney, Agent, or Firm* — Bachman & LaPointe, P.C.

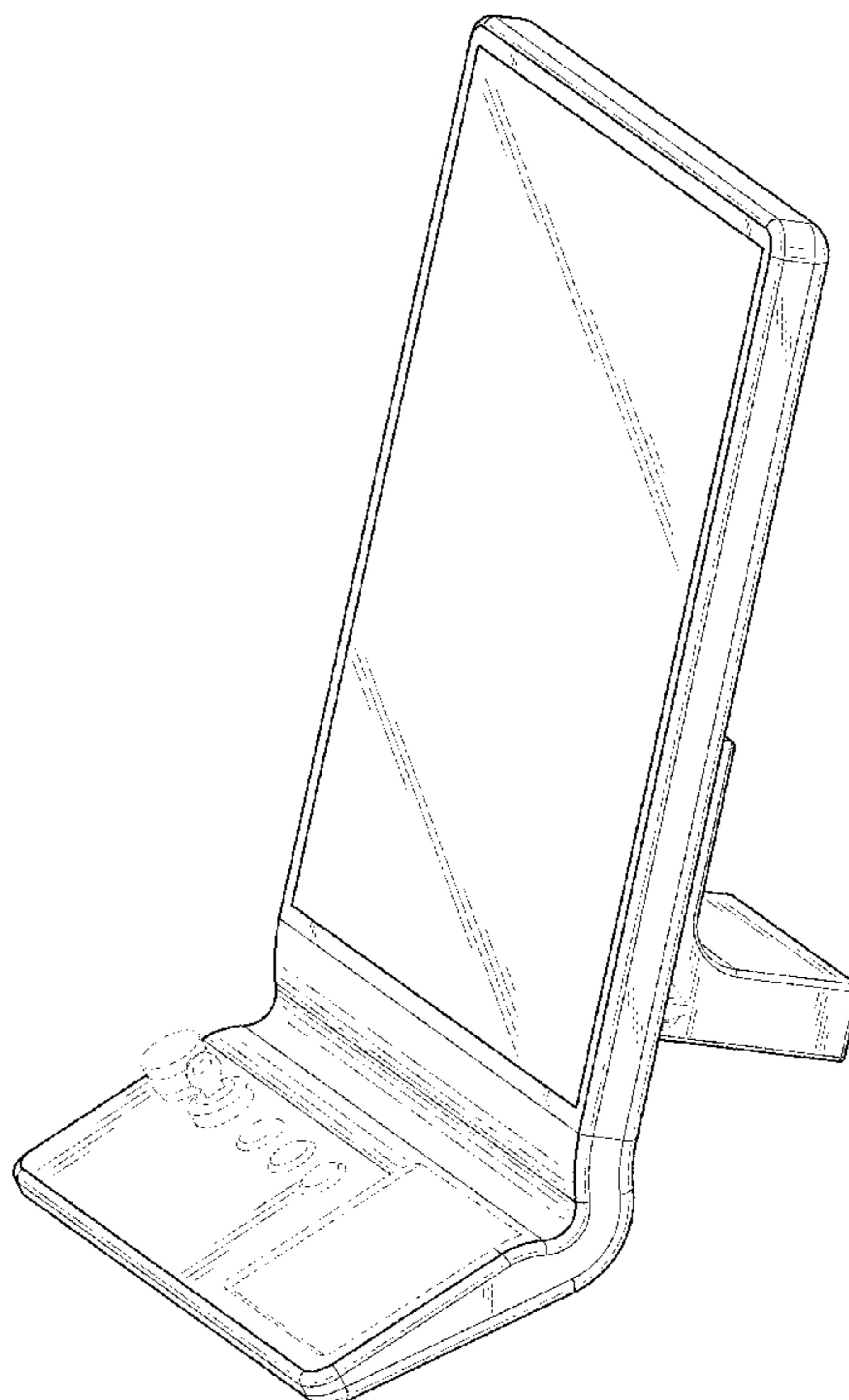
(57) **CLAIM**

The ornamental design for a control console, as shown and described.

DESCRIPTION

FIG. 1 is a perspective view of the control console, broken lines shown in the drawings illustrate portions of the control console and form no part of the claimed design.
FIG. 2 is a front view of the control console of FIG. 1.
FIG. 3 is a back view of the control console of FIG. 1.
FIG. 4 is a left side view of the control console of FIG. 1.
FIG. 5 is a right side view of the control console of FIG. 1.
FIG. 6 is a top view of the control console of FIG. 1; and,
FIG. 7 is a rear perspective view of the control console of FIG. 1.

1 Claim, 7 Drawing Sheets



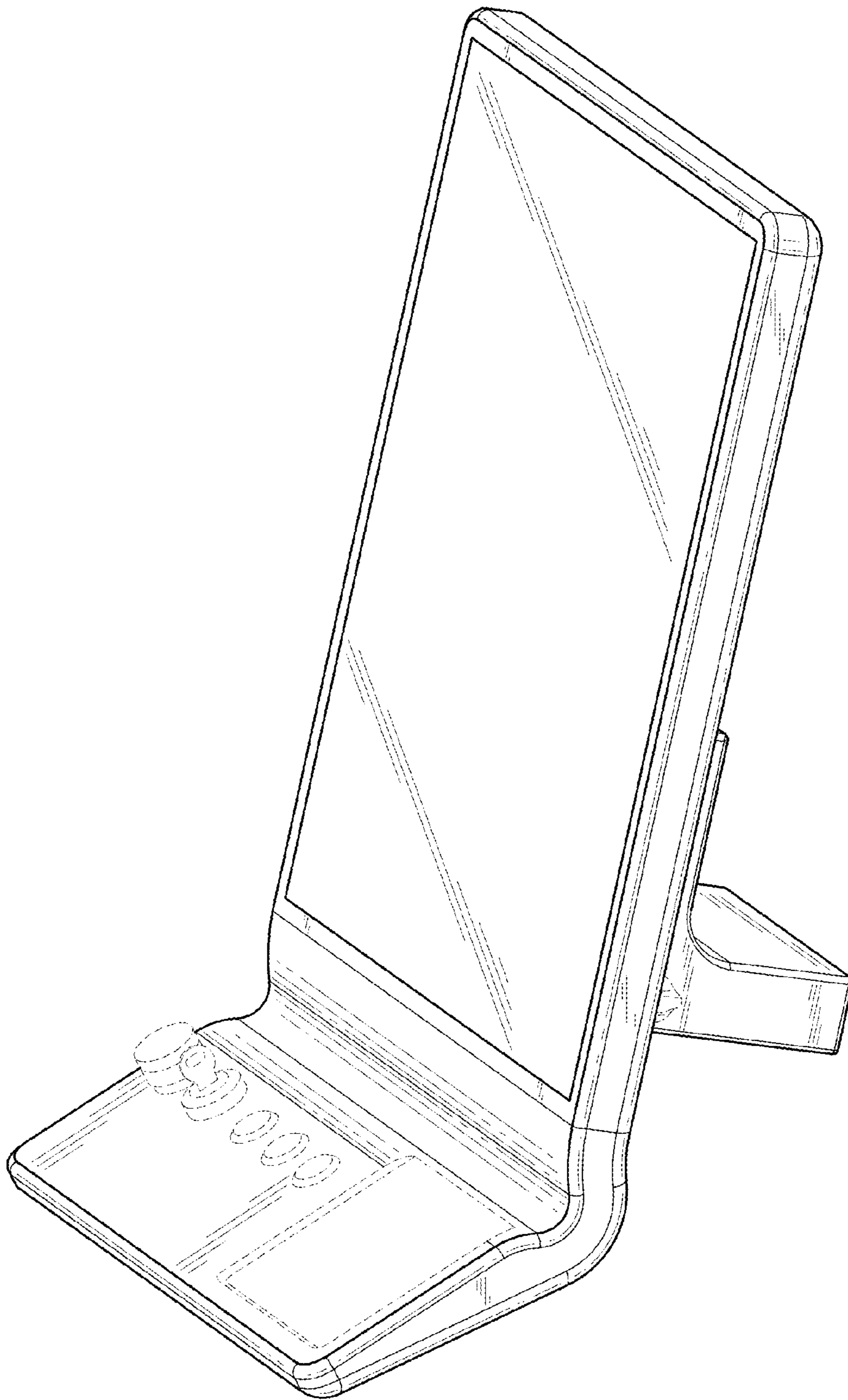


FIG. 1

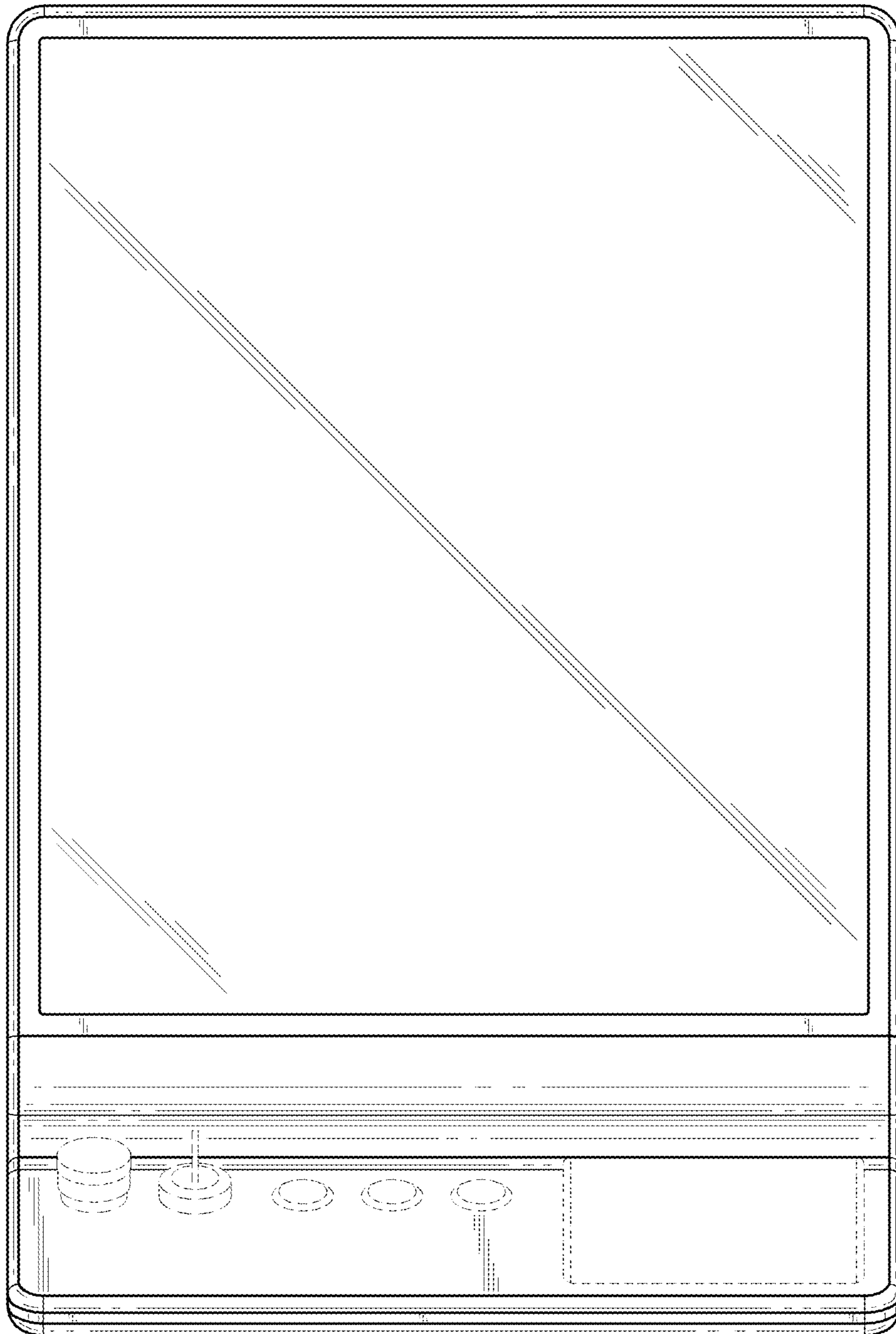


FIG. 2

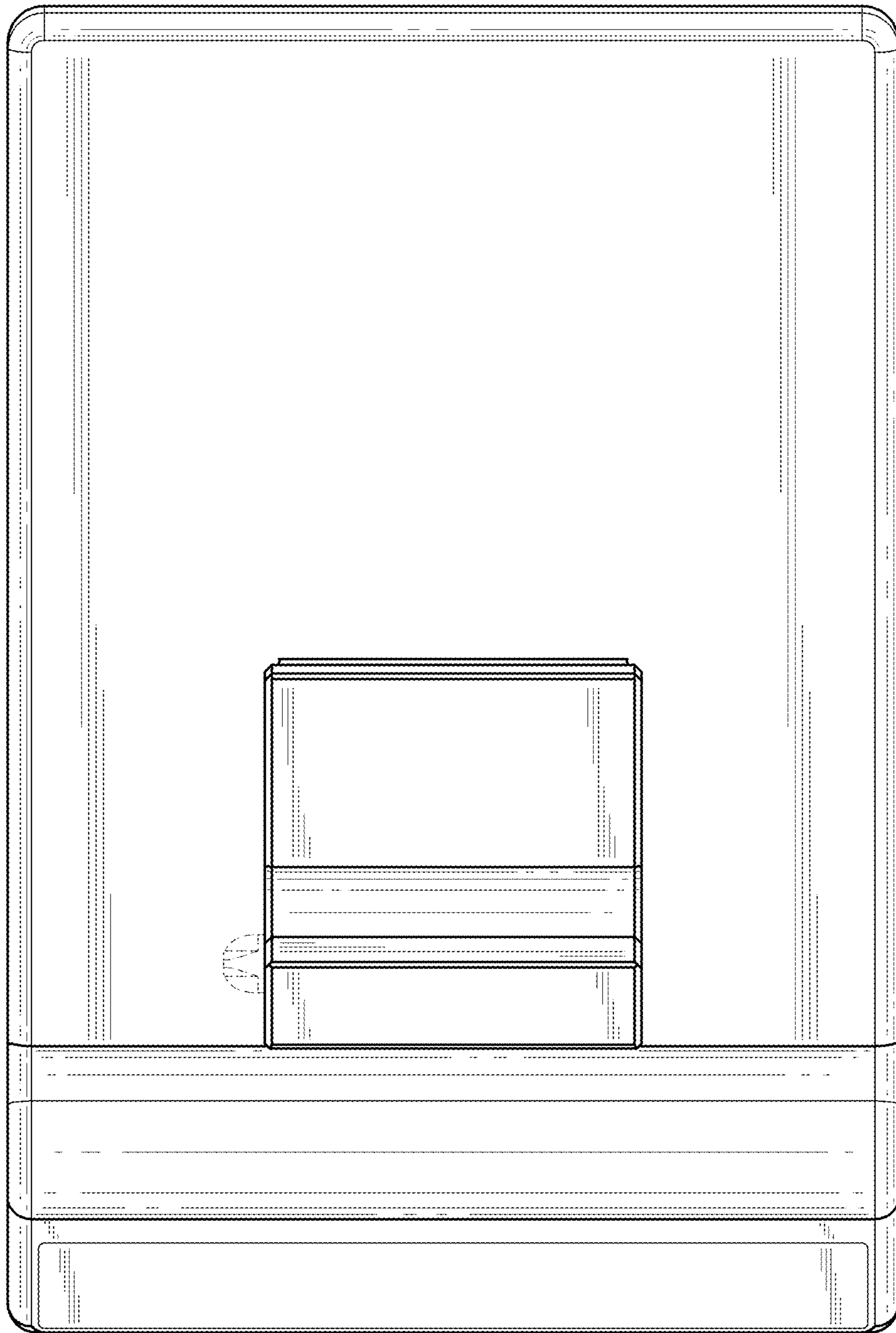


FIG. 3

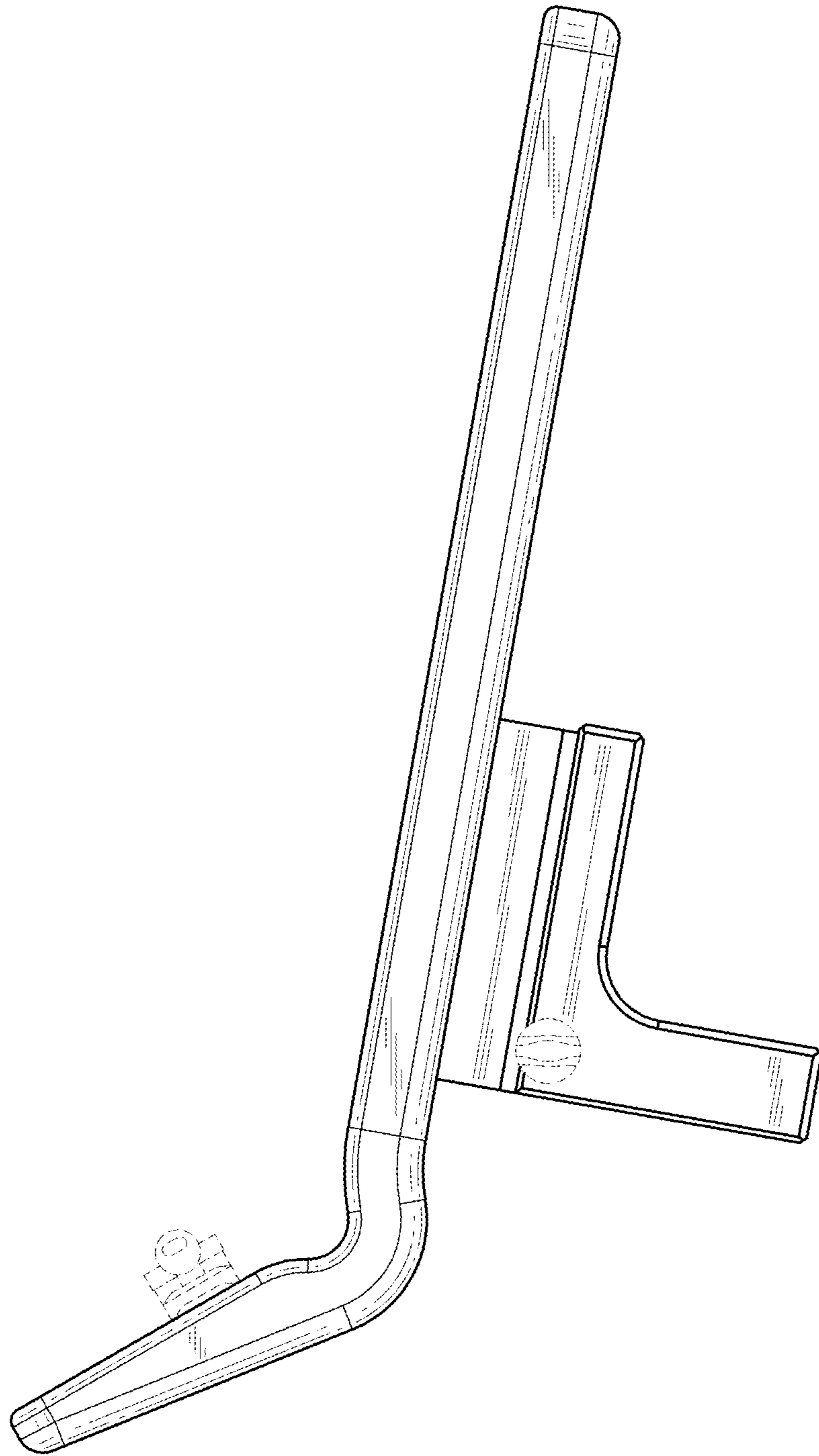


FIG. 4

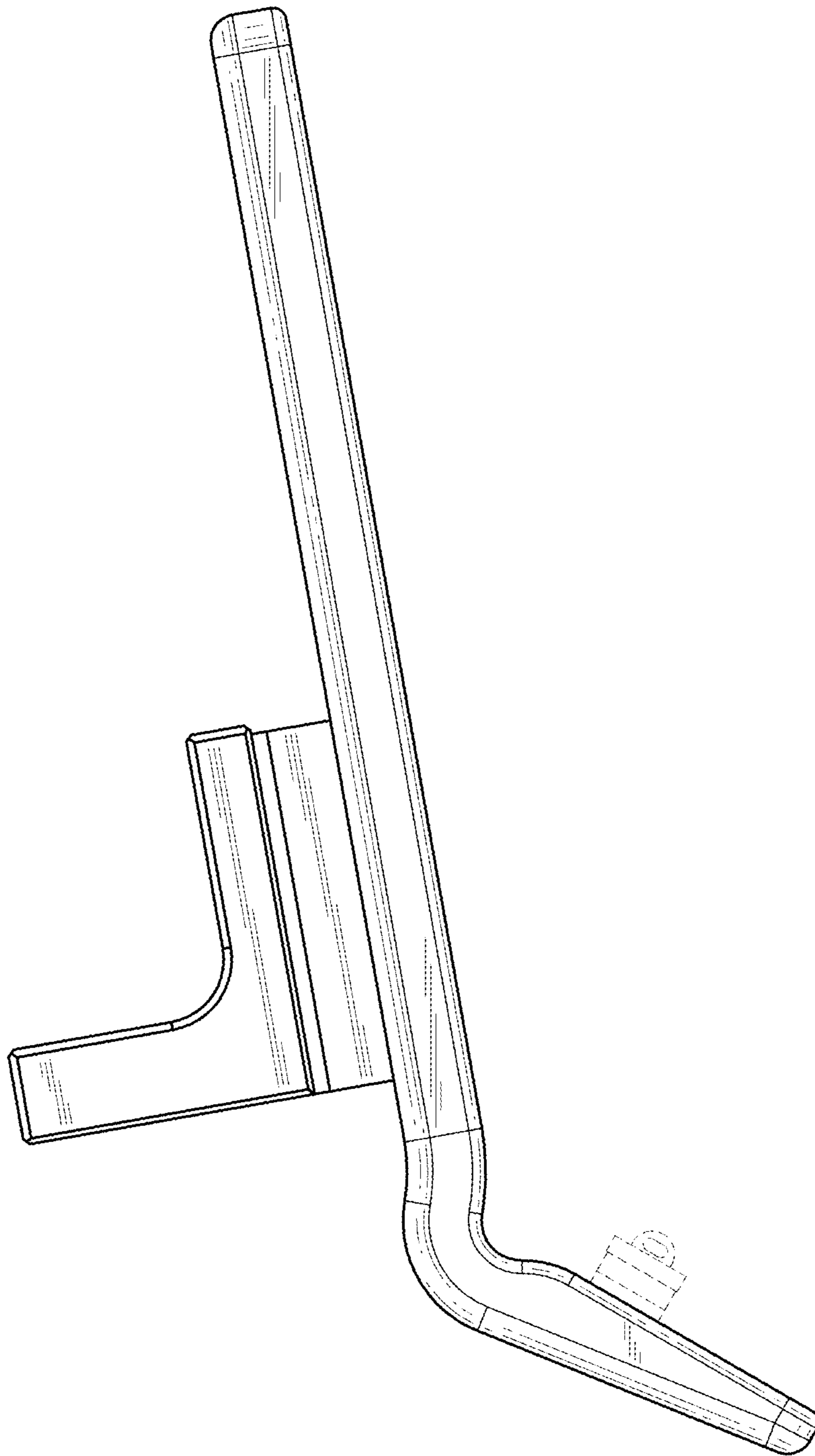


FIG. 5

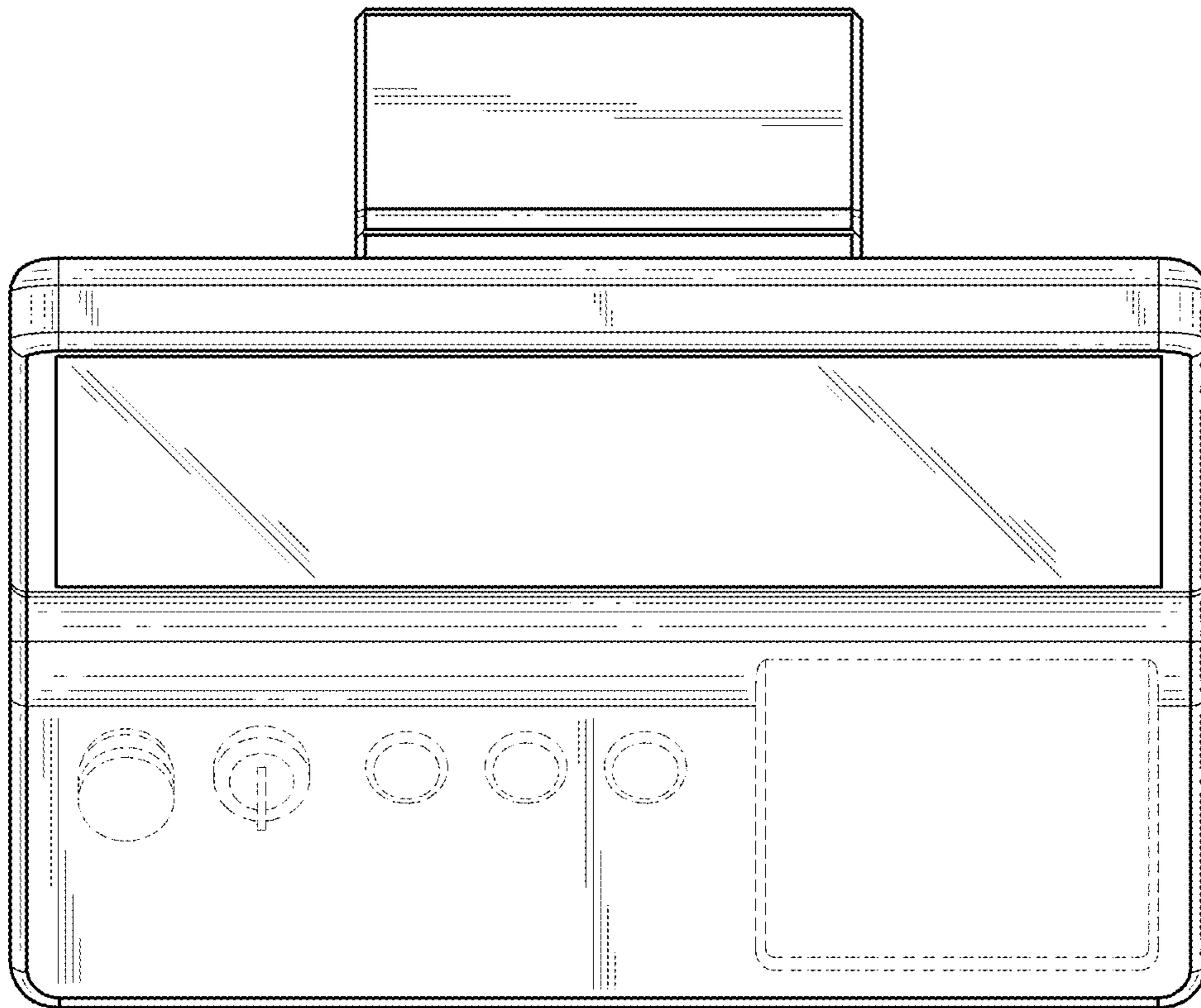


FIG. 6

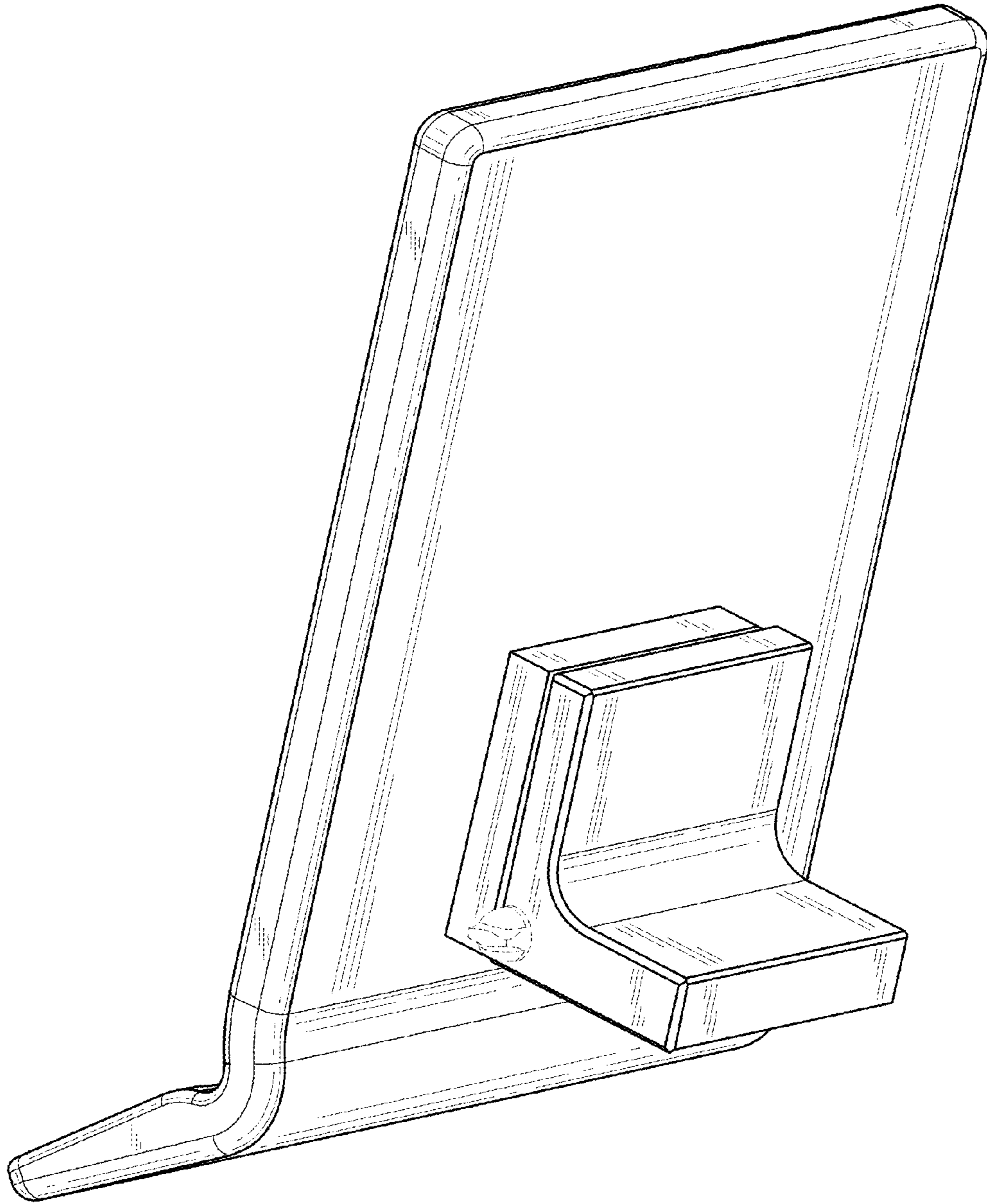


FIG. 7