



US00D752571S

(12) **United States Design Patent**
Richter

(10) **Patent No.:** **US D752,571 S**
(45) **Date of Patent:** **** Mar. 29, 2016**

(54) **APPARATUS HOLDER**

(71) Applicant: **Harald Richter**, Engelbrand (DE)

(72) Inventor: **Harald Richter**, Engelbrand (DE)

(**) Term: **14 Years**

(21) Appl. No.: **29/497,140**

(22) Filed: **Jul. 21, 2014**

(51) **LOC (10) Cl.** **14-03**

(52) **U.S. Cl.**

USPC **D14/253**

(58) **Field of Classification Search**

USPC D14/251–253, 432, 434, 447, 451, 452,
D14/140, 142, 149, 217, 240; D21/313;
D13/107, 108; D10/23; D8/71, 72, 74,
D8/349, 373; D6/302, 303, 306, 310, 312;
455/575.1; D19/88; D16/242, 245;
D3/218; D12/415; 248/429; 379/454
CPC H04M 1/00; H04M 1/04; H04M 1/06;
H04M 1/11; H04B 1/3877; F16M 11/04;
F16M 11/041; B60R 11/02; B60R 11/0241;
B60R 11/0258; B60R 11/0252
See application file for complete search history.

(56) **References Cited**

U.S. PATENT DOCUMENTS

D320,022	S	*	9/1991	Watanabe et al.	D14/251
D390,849	S	*	2/1998	Richter et al.	D14/253
D411,542	S	*	6/1999	Richter	D14/253
6,085,113	A	*	7/2000	Fan	455/569.1
D431,250	S	*	9/2000	Richter	D14/447
D456,024	S	*	4/2002	Richter	D14/434
D529,905	S	*	10/2006	Richter	D14/253
D530,713	S	*	10/2006	Richter	D14/253
D603,322	S	*	11/2009	Nicieja	D12/415
D626,953	S	*	11/2010	Wilson	D14/252
D658,169	S	*	4/2012	Mo	D14/253
D685,379	S	*	7/2013	Richter	D14/447
D685,380	S	*	7/2013	Richter	D14/447
D685,804	S	*	7/2013	Richter	D14/447

9,004,434	B2	*	4/2015	Kang et al.	248/316.4
2002/0159587	A1	*	10/2002	Chang	379/454
2005/0236536	A1	*	10/2005	Fan	248/176.3
2005/0279902	A1	*	12/2005	Richter	248/316.4
2006/0027724	A1	*	2/2006	Richter	248/429
2006/0278788	A1	*	12/2006	Fan	248/309.1
2007/0284500	A1	*	12/2007	Fan	248/346.06
2008/0242154	A1	*	10/2008	Dixon et al.	439/638
2010/0213335	A1	*	8/2010	Peng et al.	248/276.1
2010/0295228	A1	*	11/2010	Woody	269/254 R
2011/0073743	A1	*	3/2011	Shamie	248/537
2015/0002085	A1	*	1/2015	Fan	320/108

* cited by examiner

Primary Examiner — Susan Bennett Hattan

Assistant Examiner — Marie Fast Horse

(74) *Attorney, Agent, or Firm* — Klaus J. Bach

(57) **CLAIM**

The ornamental design for an apparatus holder, as shown and described.

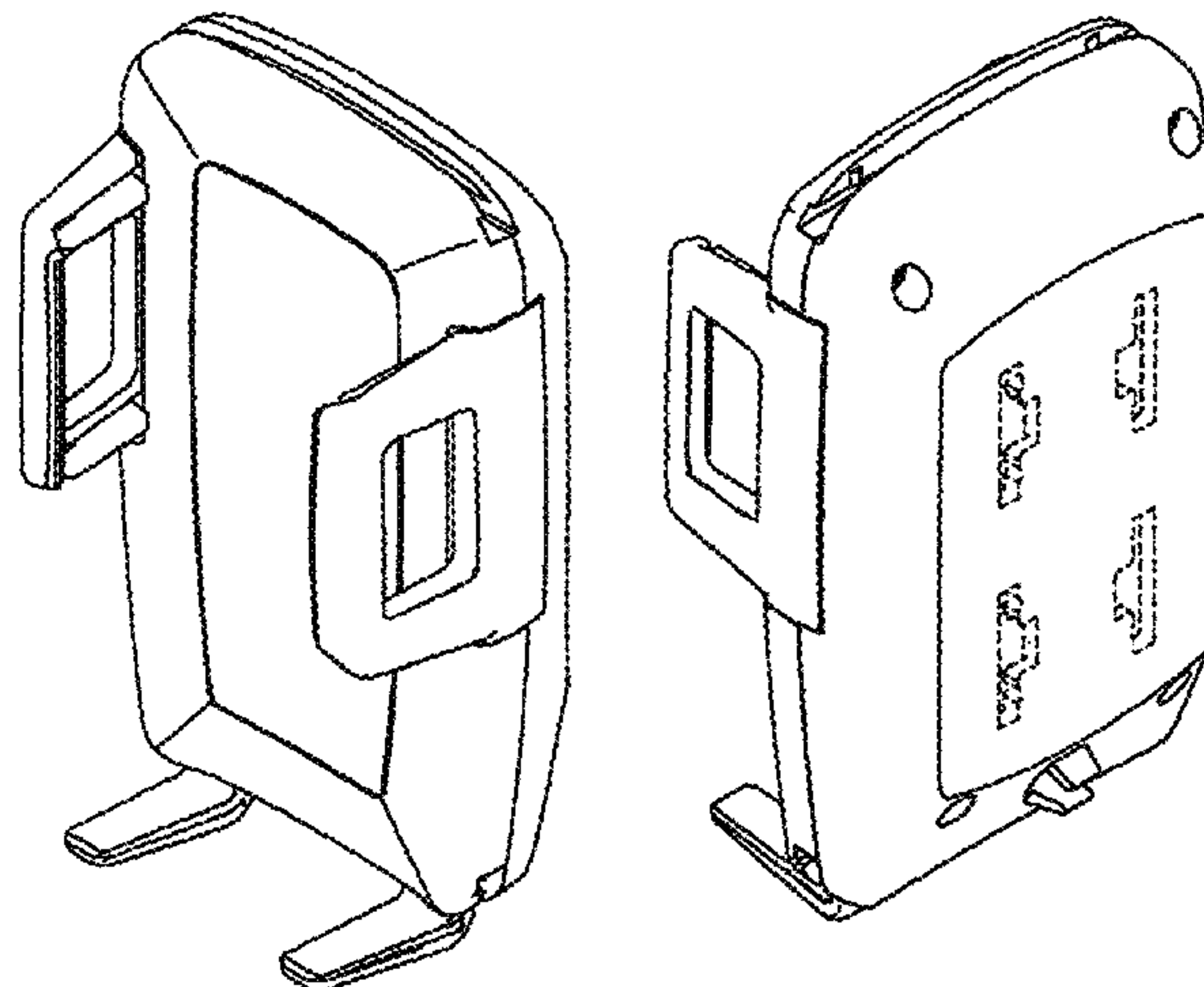
DESCRIPTION

FIG. 1 is a front view of an apparatus holder;
FIG. 2 is a left side view of the apparatus holder shown in FIG. 1,
FIG. 3 is a top view of the apparatus holder shown in FIG. 2,
FIG. 4 is a bottom view of the apparatus holder shown in FIG. 1,
FIG. 5 is a right side view of the apparatus holder shown in FIG. 1,
FIG. 6 is rear view of the apparatus holder shown in FIG. 1,
FIG. 7 is a perspective front view of the apparatus holder shown in FIG. 1; and,
FIG. 8 is a perspective rear view of the apparatus holder shown in FIG. 1.

The broken lines on the rear of the apparatus, as shown in FIGS. 6 and 8 indicate mounting openings and internal structure which however form no part of the claimed design.

The apparatus holder is used for supporting an apparatus such as cell phone, a GPS or a tablet.

1 Claim, 2 Drawing Sheets



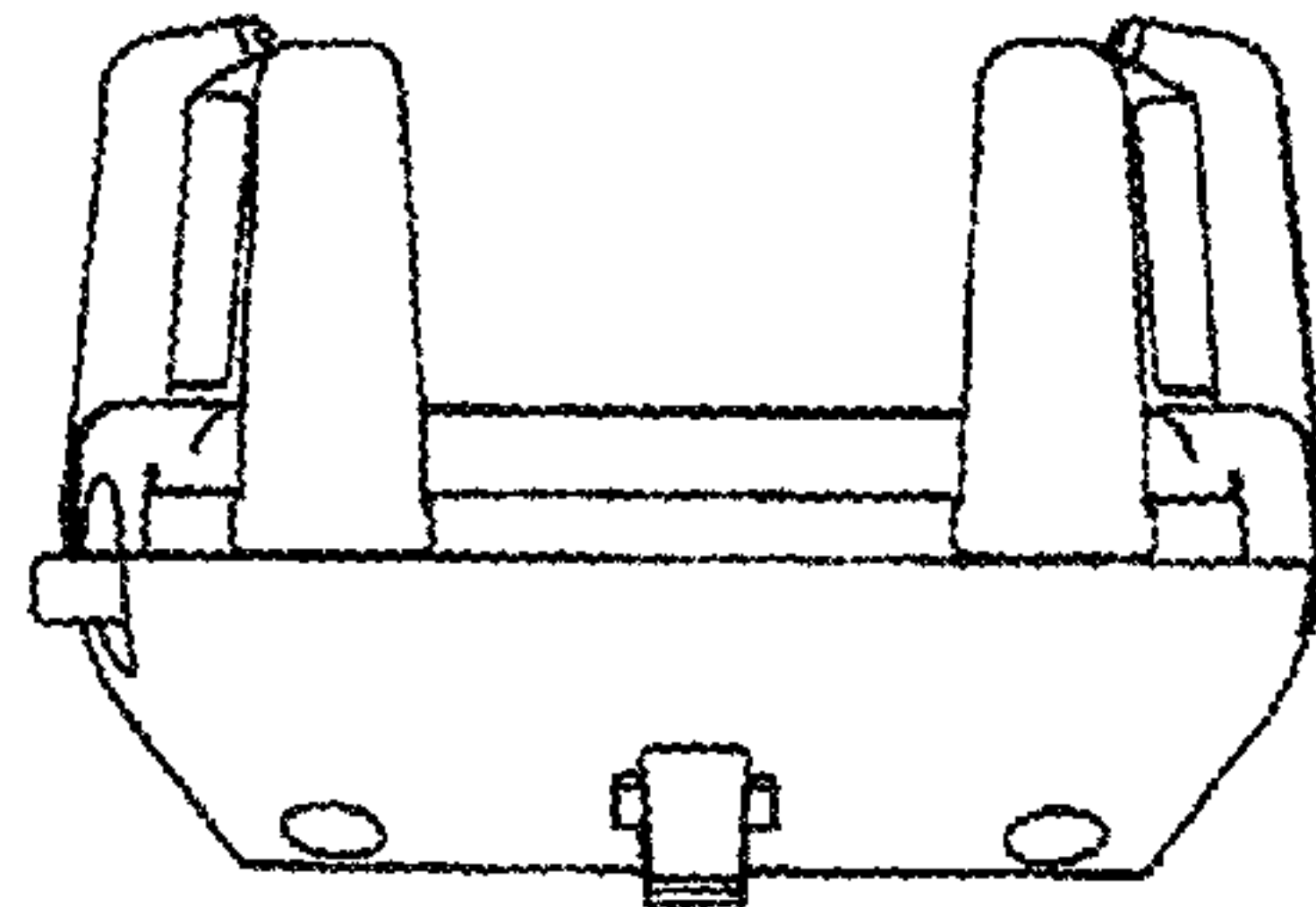


Fig. 4

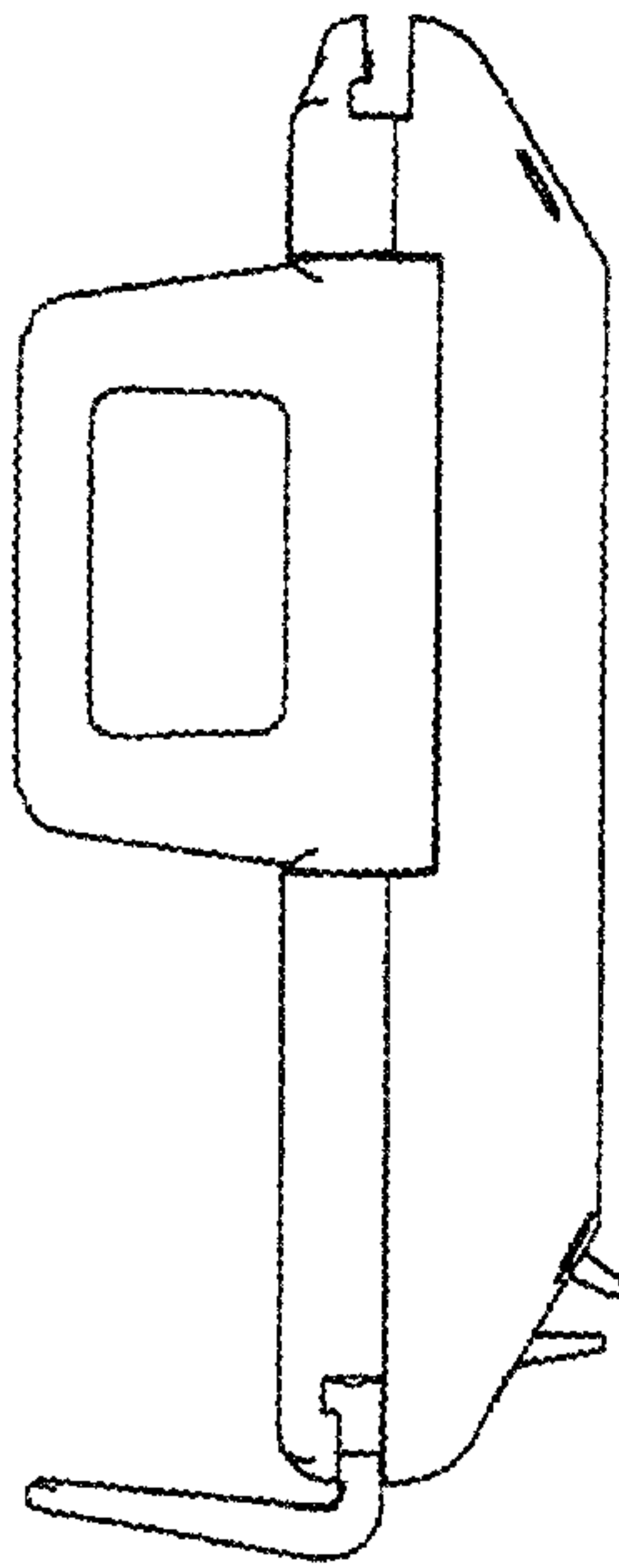


Fig. 5

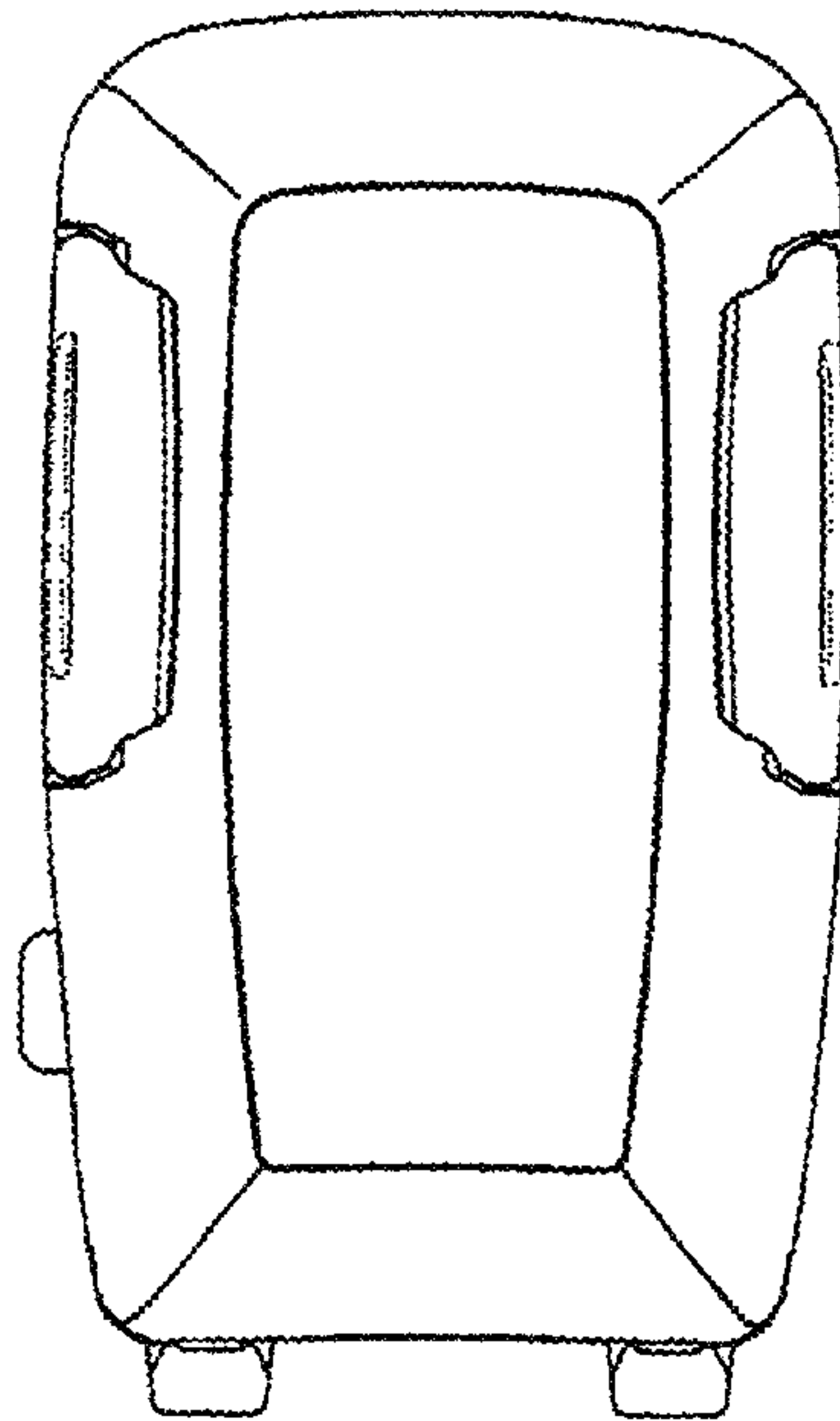


Fig. 1

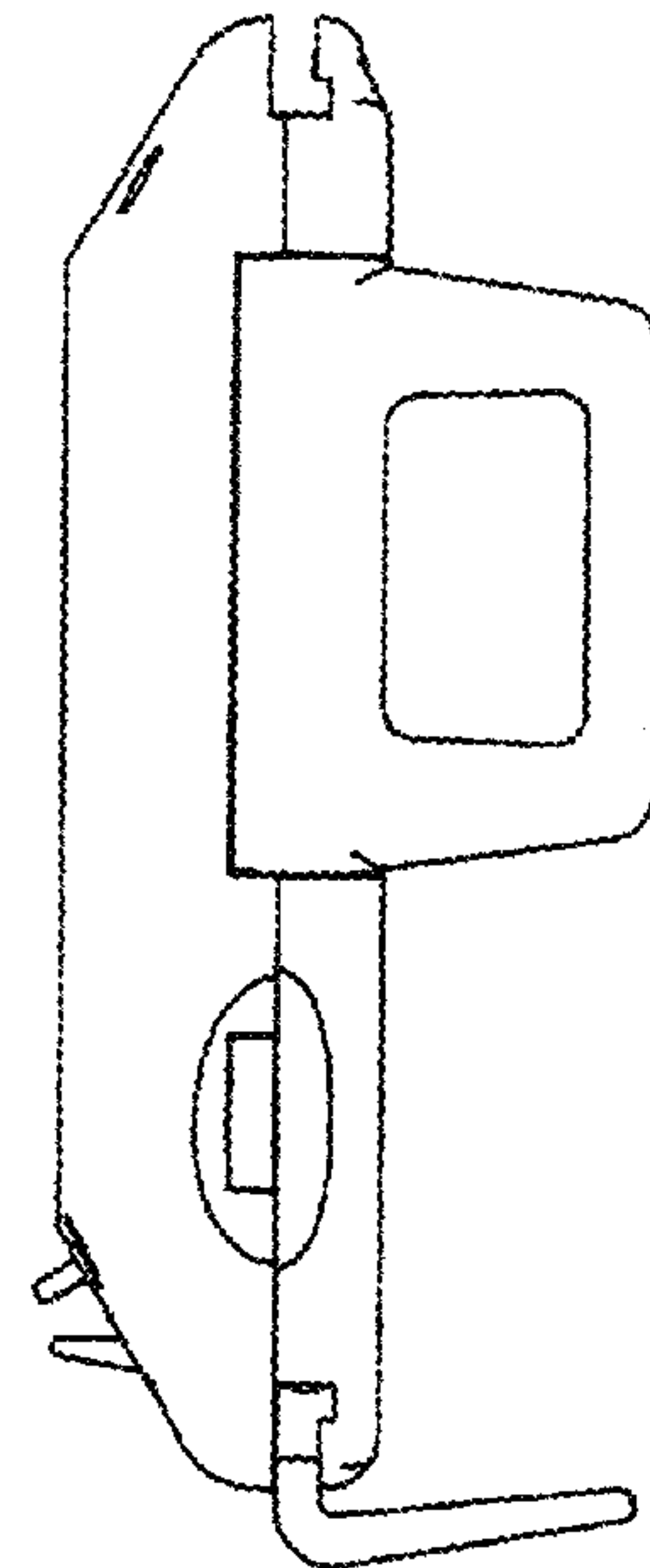


Fig. 2

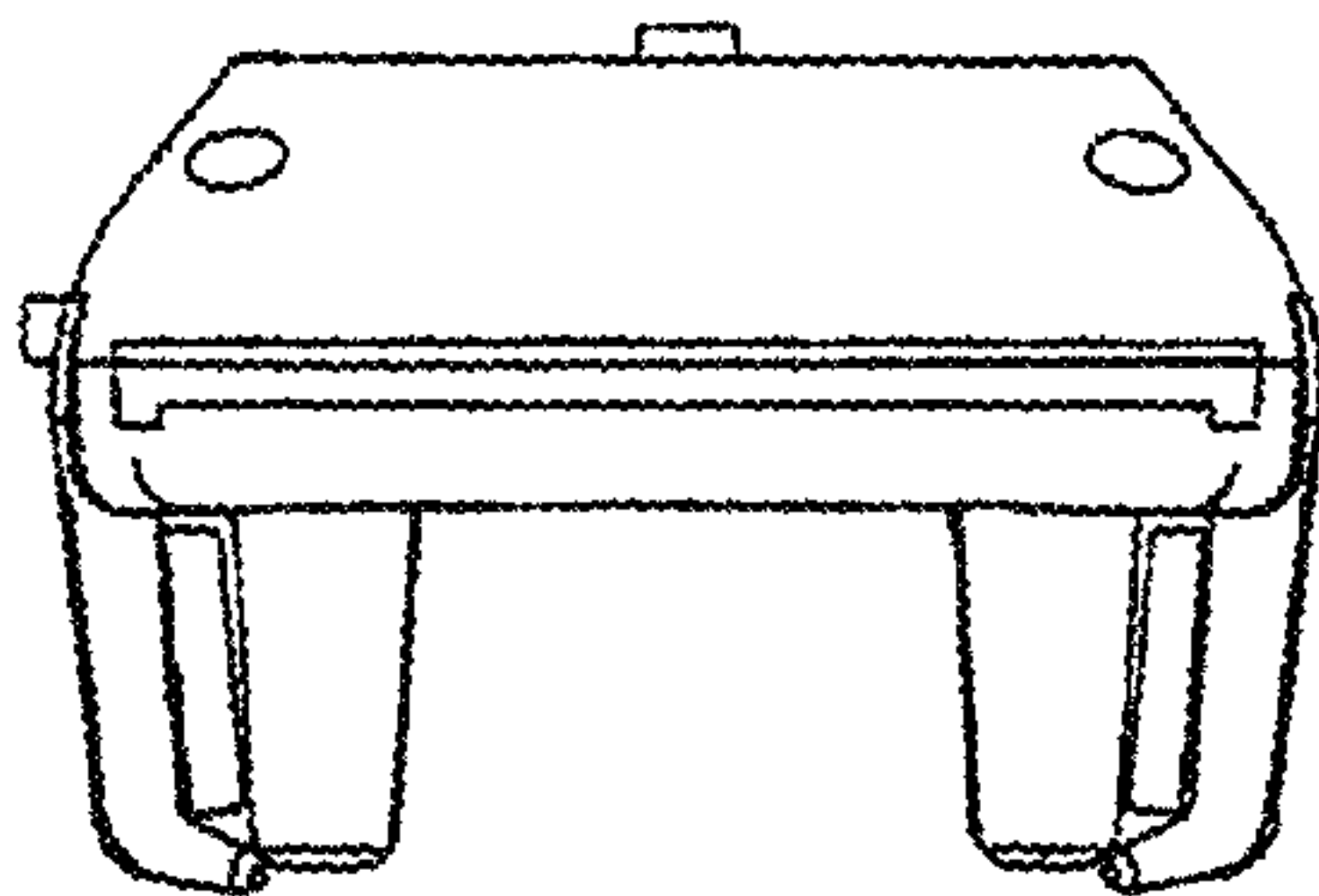


Fig. 3

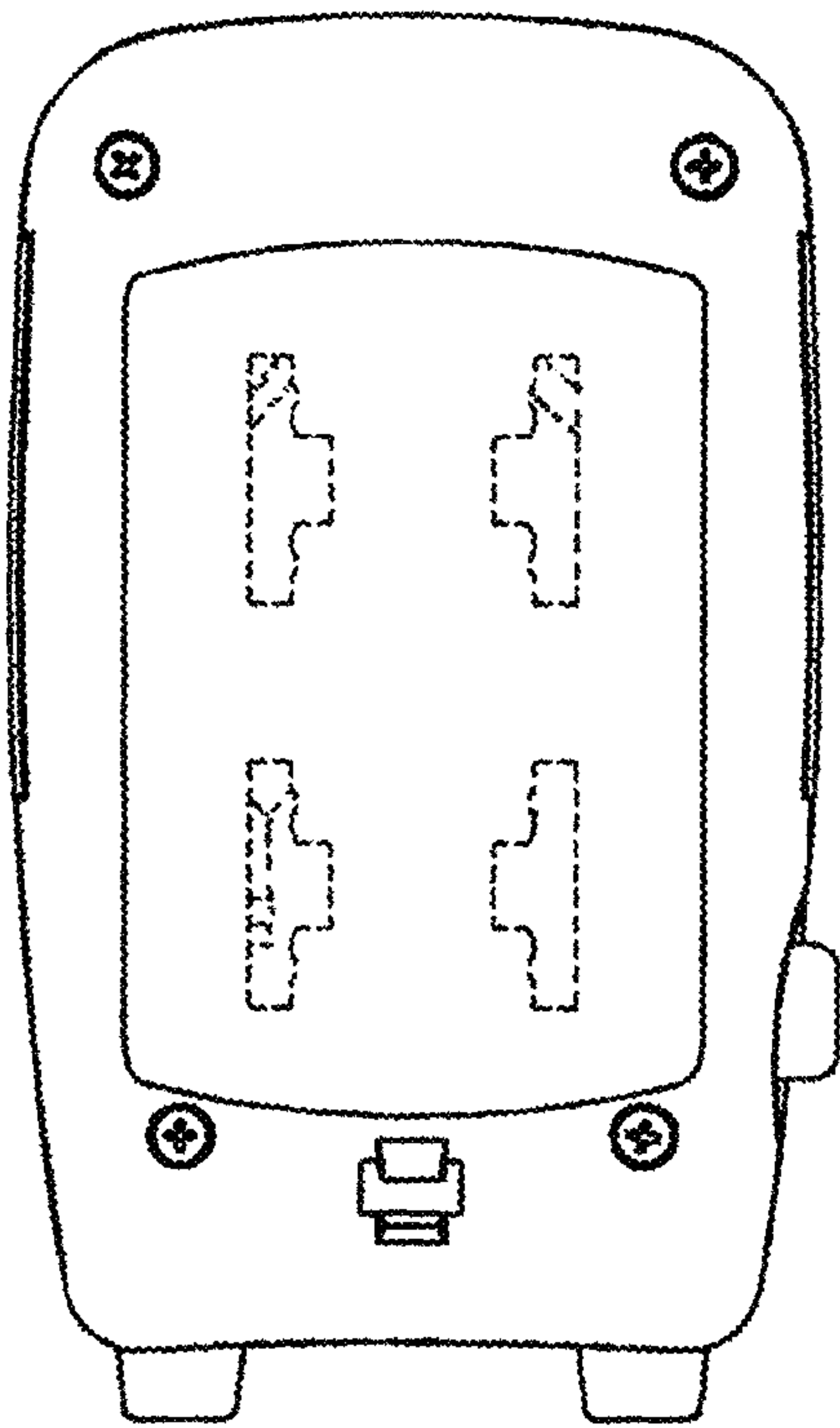


Fig. 6

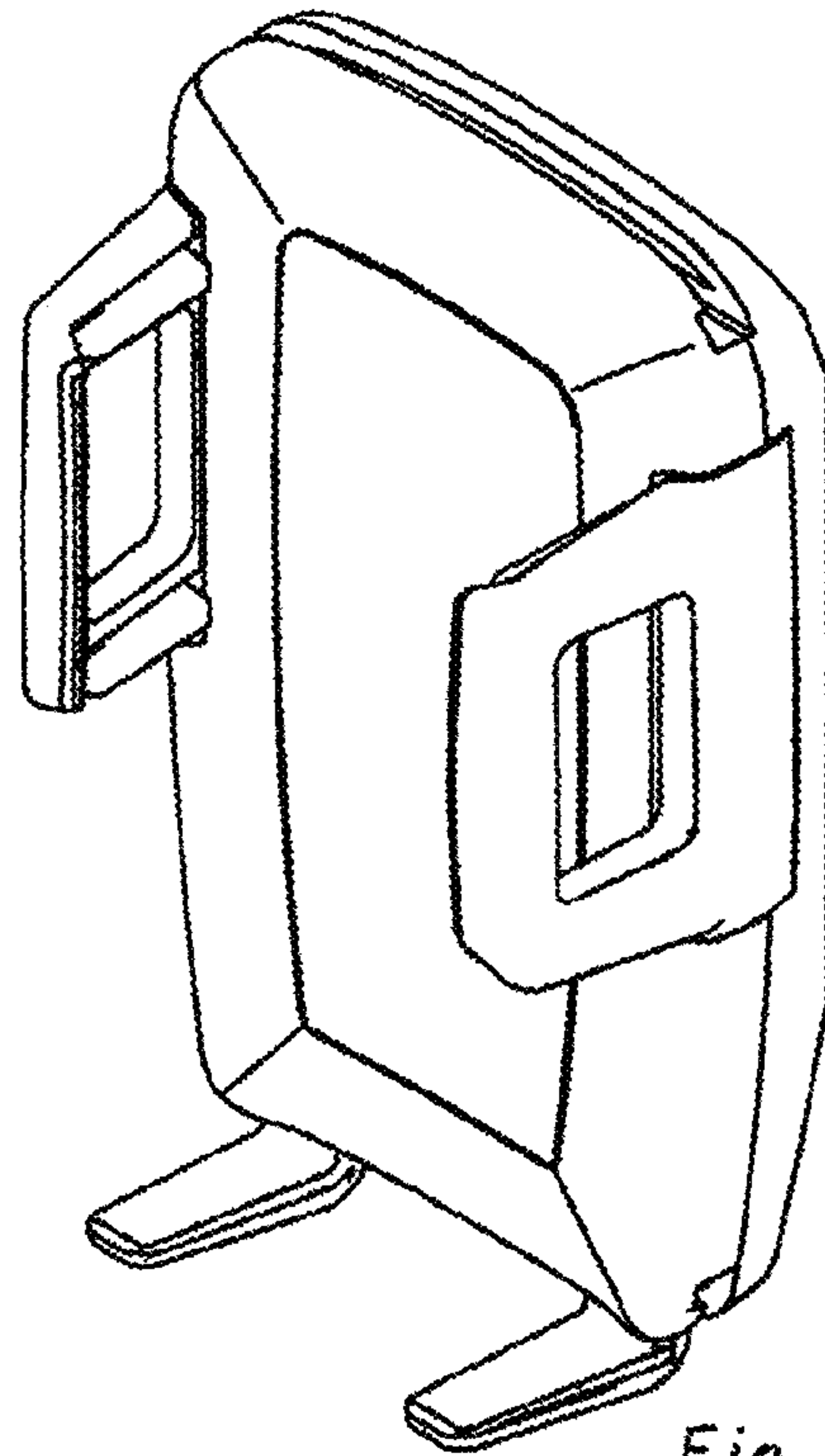


Fig. 7

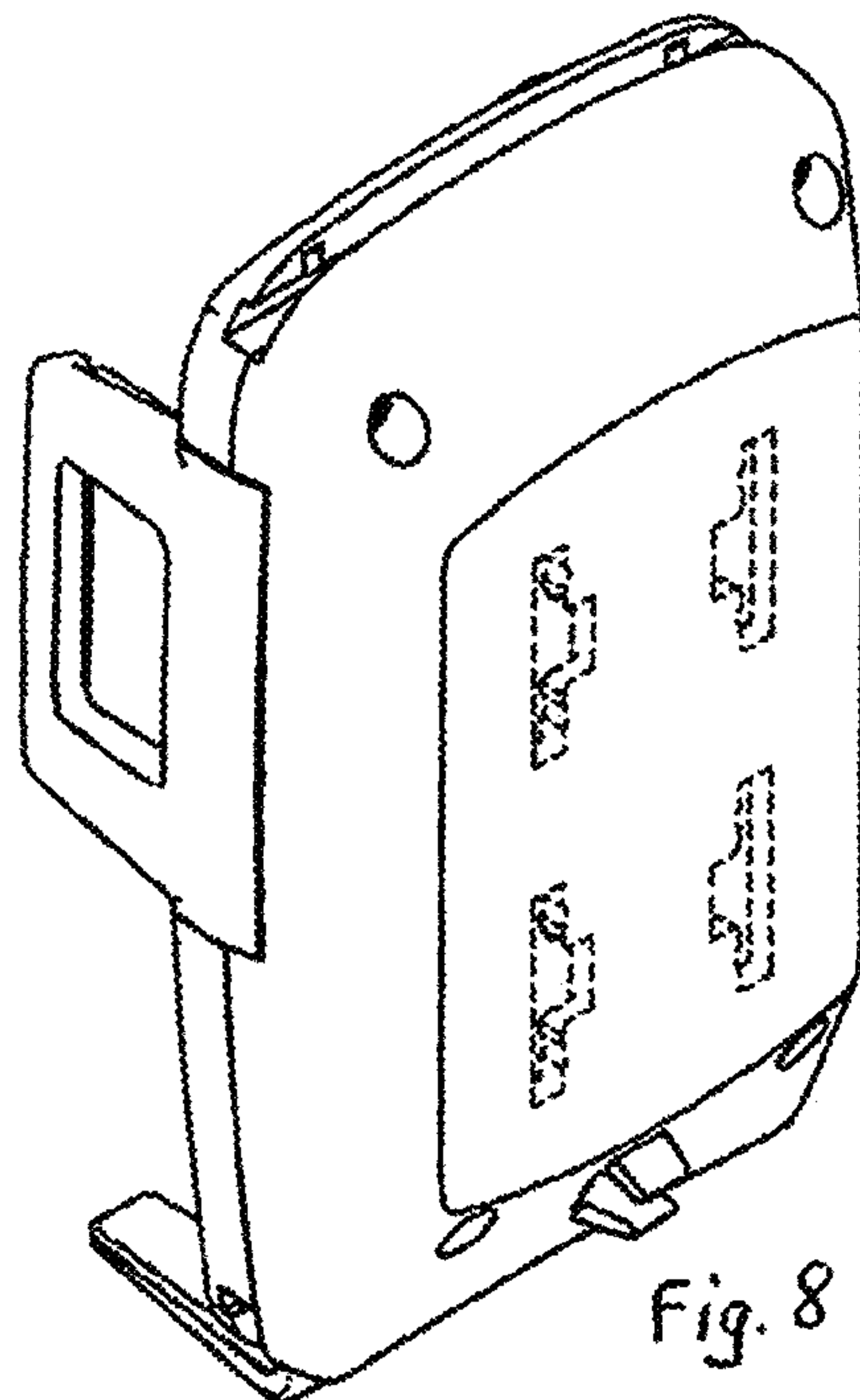


Fig. 8