



US00D752567S

(12) **United States Design Patent**
Lee et al.

(10) **Patent No.:** **US D752,567 S**
(45) **Date of Patent:** **** *Mar. 29, 2016**

(54) **MOBILE PHONE**

(71) Applicant: **LG Electronics Inc.**, Seoul (KR)

(72) Inventors: **Seungyup Lee**, Seoul (KR); **Hyon Kim**, Gyeonggi-do (KR); **Heeju Chang**, Gyeonggi-do (KR)

(73) Assignee: **LG Electronics Inc.**, Seoul (KR)

(*) Notice: This patent is subject to a terminal disclaimer.

(**) Term: **14 Years**

(21) Appl. No.: **29/477,812**

(22) Filed: **Dec. 27, 2013**

(30) **Foreign Application Priority Data**

Jun. 28, 2013 (KR) 30-2013-0033537

(51) **LOC (10) Cl.** **14-03**

(52) **U.S. Cl.**
USPC **D14/248**

(58) **Field of Classification Search**
USPC D14/138 G, 138 AC, 138 AD, 138 R,
D14/203.1, 203.3, 203.5, 203.7, 218, 248,
D14/257, 250, 341, 441, 443, 496;
D21/517, 329, 331; D13/168; D10/65,
D10/78; 455/556.1, 556.2, 575.1, 575.3,
455/575.4, 566; 379/433.01, 433.04;
361/679.3, 679.56

CPC ... H04M 1/02; H04M 1/0202; H04M 1/0235;
H04M 1/0237; H04M 1/0239; H04M 2250/22;
H04M 1/72519; H04M 1/03

See application file for complete search history.

(56) **References Cited**

U.S. PATENT DOCUMENTS

D544,461 S * 6/2007 Hwang et al. D14/138 G
D553,593 S * 10/2007 Lyles D14/138 AD
D564,492 S * 3/2008 Lyles D14/138 AD

D570,322 S * 6/2008 Lyles D14/138 AD
D574,806 S * 8/2008 Lee et al. D14/138 AD
D579,898 S * 11/2008 Lee et al. D14/138 G
D604,284 S * 11/2009 Rihu D14/248
D609,210 S * 2/2010 Sohn et al. D14/138 AD
D622,714 S * 8/2010 He D14/248

(Continued)

OTHER PUBLICATIONS

LG Optimus 2X telephone, announced Dec. 2010, [online], [site visited Jan. 21, 2015]. Available from Internet, <URL: http://www.gsmaarena.com/lg_optimus_2x-3598.php>.*

(Continued)

Primary Examiner — Rosemary K Tarcza

Assistant Examiner — Sanjeev Paul

(74) *Attorney, Agent, or Firm* — Morgan, Lewis & Bockius LLP

(57) **CLAIM**

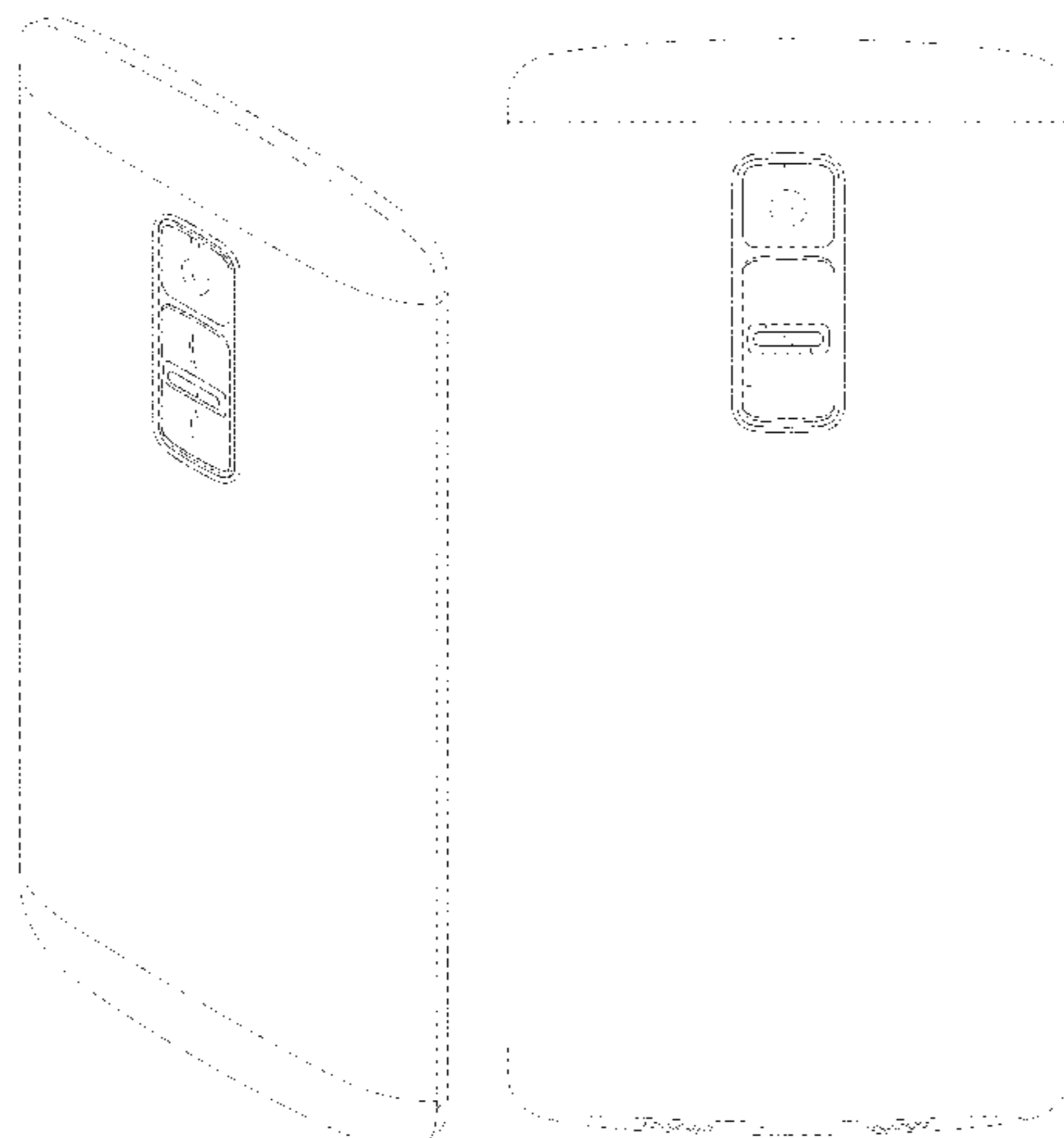
The ornamental design for a mobile phone, as shown and described.

DESCRIPTION

FIG. 1 is a rear perspective view of a mobile phone showing our new design;
FIG. 2 is a front view thereof;
FIG. 3 is a rear view thereof;
FIG. 4 is a left side view thereof;
FIG. 5 is a right side view thereof;
FIG. 6 is a top plan view thereof;
FIG. 7 is a bottom plan view thereof; and,
FIG. 8 is a front perspective view thereof.

The broken lines shown within the claimed design that are immediately adjacent to the shaded areas and define unshaded regions represent boundaries of the claim while all other broken lines are directed to environment; the broken lines form no part of the claimed design. The dash-dot broken line surrounding the claimed design represents the outer boundary of the claimed design and forms no part thereof.

1 Claim, 7 Drawing Sheets



(56)

References Cited

U.S. PATENT DOCUMENTS

D631,455 S * 1/2011 Kim et al. D14/138 AB
 D648,299 S * 11/2011 Kim D14/138 G
 D654,460 S * 2/2012 Kim et al. D14/138 G
 D656,477 S * 3/2012 Yi et al. D14/138 G
 D661,277 S * 6/2012 Kim D14/138 G
 D668,628 S * 10/2012 Ha et al. D14/138 G
 D677,643 S * 3/2013 Park D14/138 G
 D682,803 S * 5/2013 Lee et al. D14/138 G
 D686,586 S * 7/2013 Cho et al. D14/138 G
 D687,404 S * 8/2013 Yoshimura D14/138 G
 D687,799 S * 8/2013 Shin et al. D14/138 G
 D694,214 S * 11/2013 Kim et al. D14/138 G
 D694,729 S * 12/2013 Seo et al. D14/138 G
 D694,730 S * 12/2013 Lee D14/138 G
 D696,640 S * 12/2013 Park et al. D14/138 G
 D703,178 S * 4/2014 Park et al. D14/138 G
 D703,179 S * 4/2014 Choe et al. D14/138 G
 D707,645 S * 6/2014 Kim et al. D14/138 G
 D709,474 S * 7/2014 Kim et al. D14/138 G
 D721,343 S * 1/2015 Kim et al. D14/138 G
 D722,581 S * 2/2015 Kim et al. D14/138 G
 D723,496 S * 3/2015 Ryu et al. D14/138 G
 D725,069 S * 3/2015 Choe et al. D14/138 G
 D725,090 S * 3/2015 Bae et al. D14/248

D729,192 S * 5/2015 Chang et al. D14/138 G
 D729,788 S * 5/2015 Witter et al. D14/250
 2014/0004907 A1* 1/2014 Kim et al. 455/566
 2014/0335912 A1* 11/2014 Chi et al. 455/556.1

OTHER PUBLICATIONS

LG G2 telephone, announced Aug. 2014, [online], [site visited Jan. 21, 2015]. Available from Internet, <URL: http://www.gsmarena.com/lg_g2-5543.php>.*
 Oppo R815T Clover telephone, announced Apr. 2013, [online], [site visited Jan. 21, 2015]. Available from Internet, <URL: http://www.gsmarena.com/oppo_r815t_clover-5898.php>.*
 LG G Vista telephone, announced Aug. 2014, [online], [site visited Jan. 21, 2015]. Available from Internet, <URL: http://www.gsmarena.com/lg_g_vista-6569.php>.*
 LG G3 Dual-LTE telephone, announced Oct. 2014, [online], [site visited Jan. 21, 2015]. Available from Internet, <URL: http://www.gsmarena.com/lg_g3_dual_lte-6764.php>.*
 LG G3 telephone, announced May 2014, [online], [site visited Jan. 21, 2015]. Available from Internet, <URL: http://www.gsmarena.com/lg_g3-6294.php>.*
 LG G3 Screen telephone, announced Oct. 2014, [online], [site visited Jan. 21, 2015]. Available from Internet, <URL: http://www.gsmarena.com/lg_g3_screen-6750.php>.*

* cited by examiner

FIG. 1

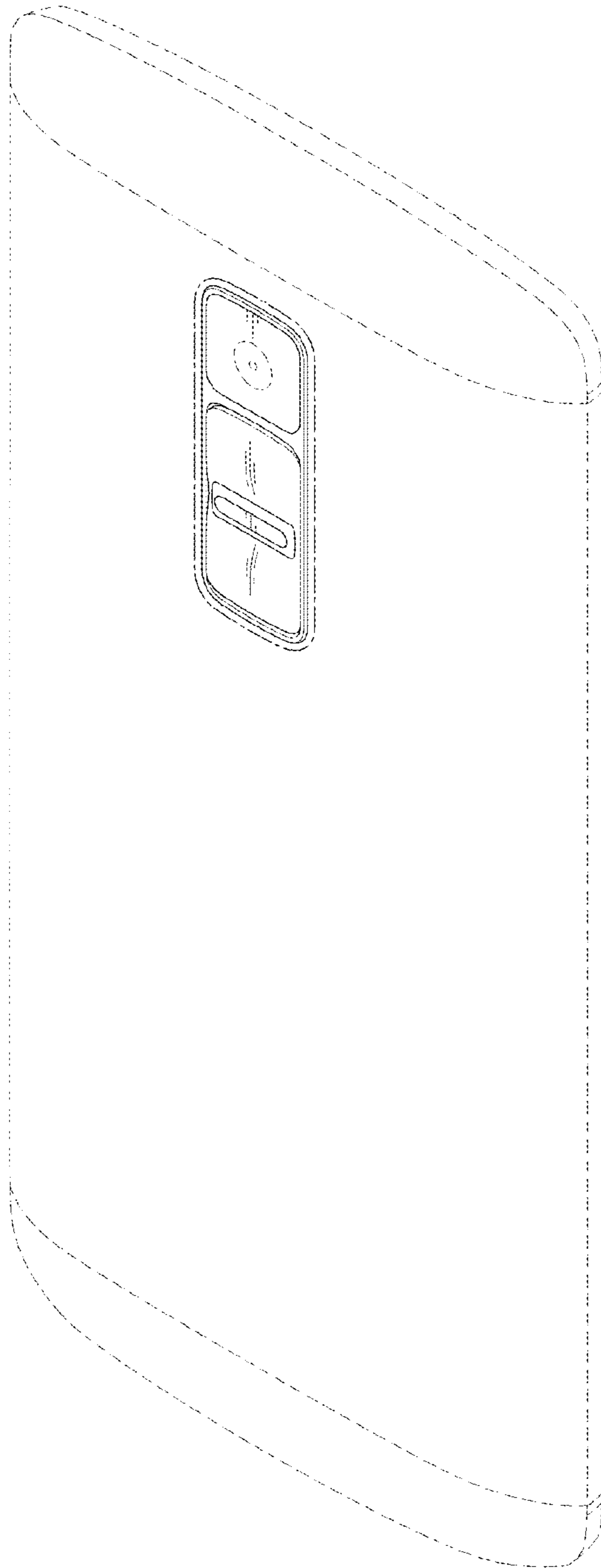


FIG. 2

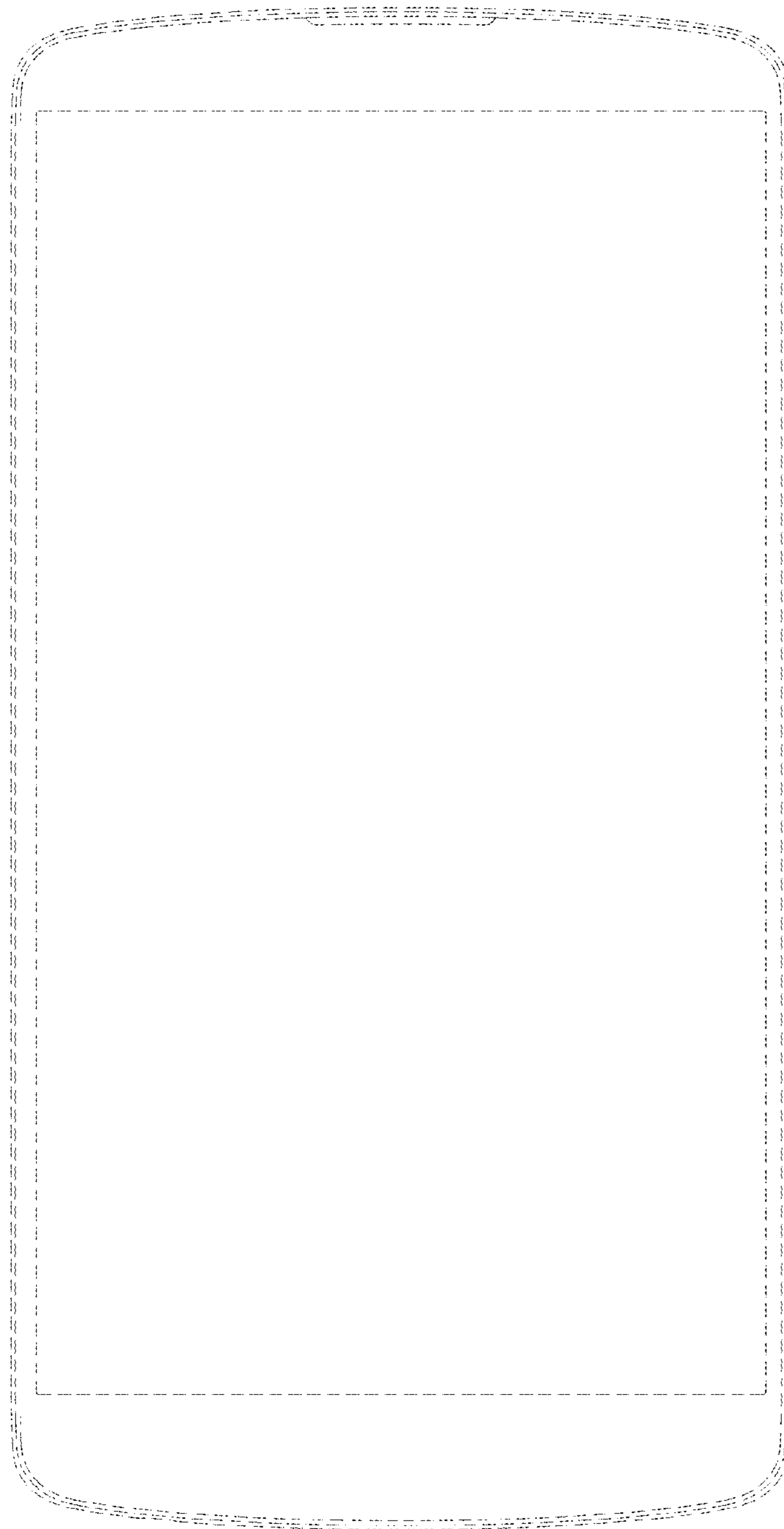


FIG. 3

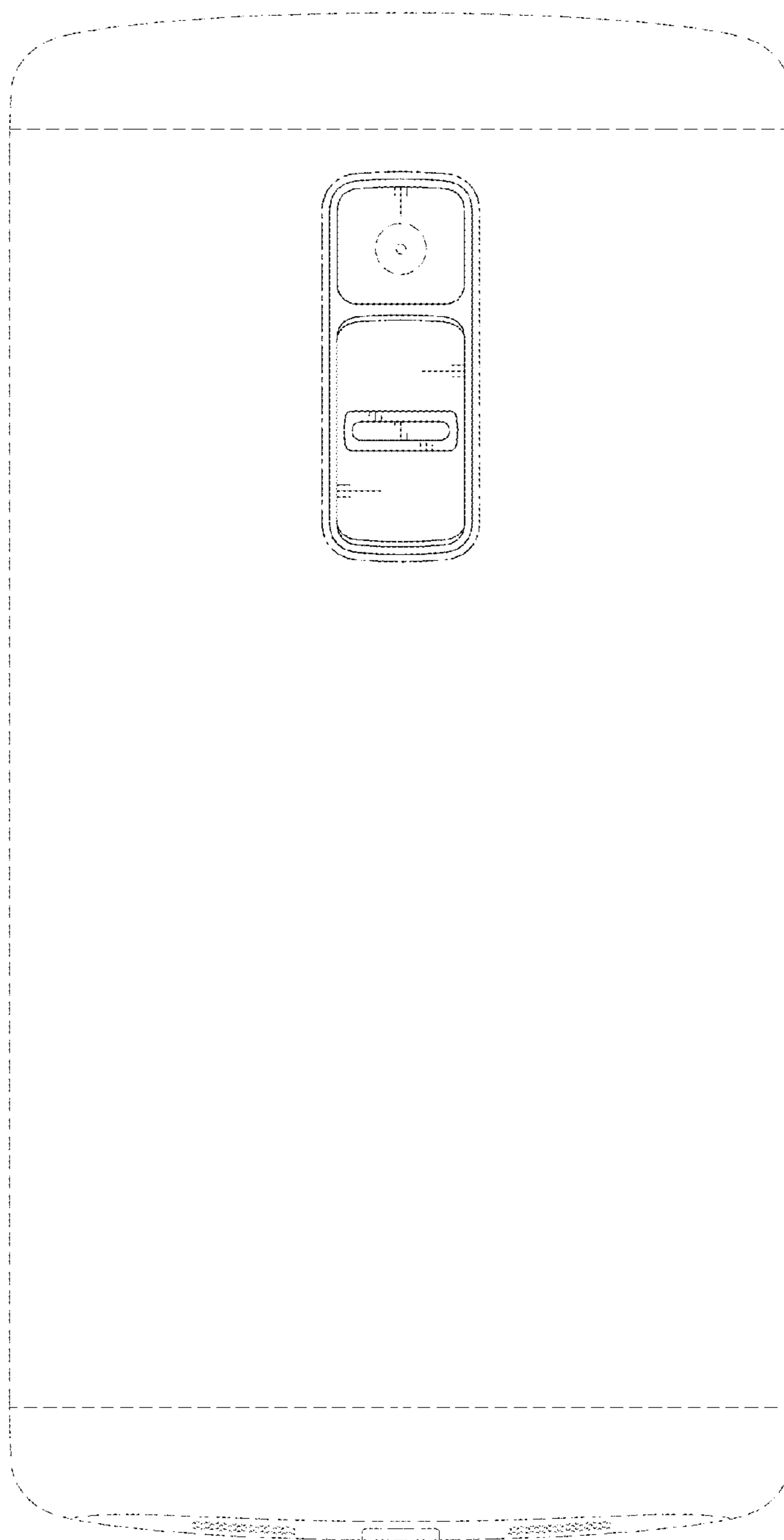


FIG. 4



FIG. 5



FIG. 6

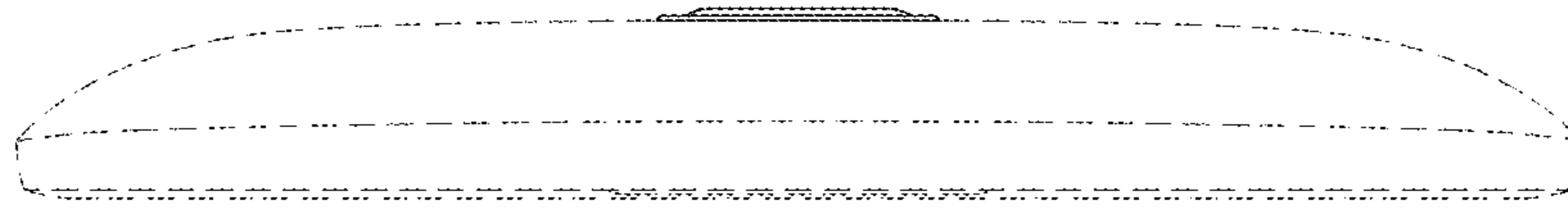


FIG. 7

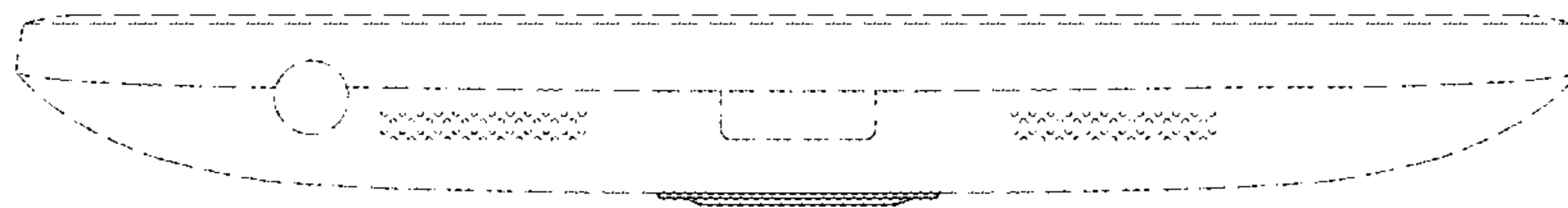


FIG. 8

