



US00D752566S

(12) **United States Design Patent**
Hinman et al.

(10) **Patent No.:** **US D752,566 S**
(45) **Date of Patent:** **** Mar. 29, 2016**

(54) **WIRELESS REPEATER**
(71) Applicant: **Mimosa Networks, Inc.**, Campbell, CA (US)

4,986,764 A 1/1991 Eaby et al.
5,015,195 A 5/1991 Piriz
5,226,837 A 7/1993 Cinibulk et al.

(Continued)

(72) Inventors: **Brian Hinman**, Los Gatos, CA (US);
Jaime Fink, San Francisco, CA (US);
Mustafa Rangwala, Sunnyvale, CA (US);
Carlos Ramos, San Jose, CA (US);
Frank Spiteri, Cupertino, CA (US);
Daniel Harden, Palo Alto, CA (US)

FOREIGN PATENT DOCUMENTS

CN 3034536625 11/2015
CN 105191204 12/2015

(Continued)

(73) Assignee: **Mimosa Networks, Inc.**, Santa Clara, CA (US)

OTHER PUBLICATIONS

Notice of Allowance mailed Sep. 8, 2015 in Chinese Design Patent Application 201530058063.8, filed Mar. 11, 2015.

(Continued)

(**) Term: **14 Years**

Primary Examiner — Bridget L Eland

(21) Appl. No.: **29/502,253**

(74) *Attorney, Agent, or Firm* — Carr & Ferrell LLP

(22) Filed: **Sep. 12, 2014**

(57) **CLAIM**

(51) **LOC (10) Cl.** **14-03**

The ornamental design for a wireless repeater, as shown and described.

(52) **U.S. Cl.**

DESCRIPTION

USPC **D14/242**

(58) **Field of Classification Search**

USPC D14/240, 242, 357, 358, 125,
D14/140-140.9, 155, 137, 139, 243, 239,
D14/433

CPC H04L 12/00; H03K 17/00; H04W 88/00;
H04W 88/005; H04W 88/02; H04W 88/08;
H04W 88/085; H04W 88/10; H04W 88/12;
H04W 88/14; H04B 1/38

See application file for complete search history.

FIG. 1 is a perspective view of a wireless repeater illustrating our new design.

FIG. 2 is a front elevational view thereof.

FIG. 3 is a rear elevational view thereof.

FIG. 4 is a right side elevational view thereof.

FIG. 5 is a left side elevational view thereof.

FIG. 6 is a top plan view thereof; and,

FIG. 7 is a bottom plan view thereof.

The broken lines immediately adjacent the claimed areas represent the bounds of the claimed design while all other broken lines including the “m” are directed to environment and are for illustrative purposes only; the broken lines form no part of the claimed design.

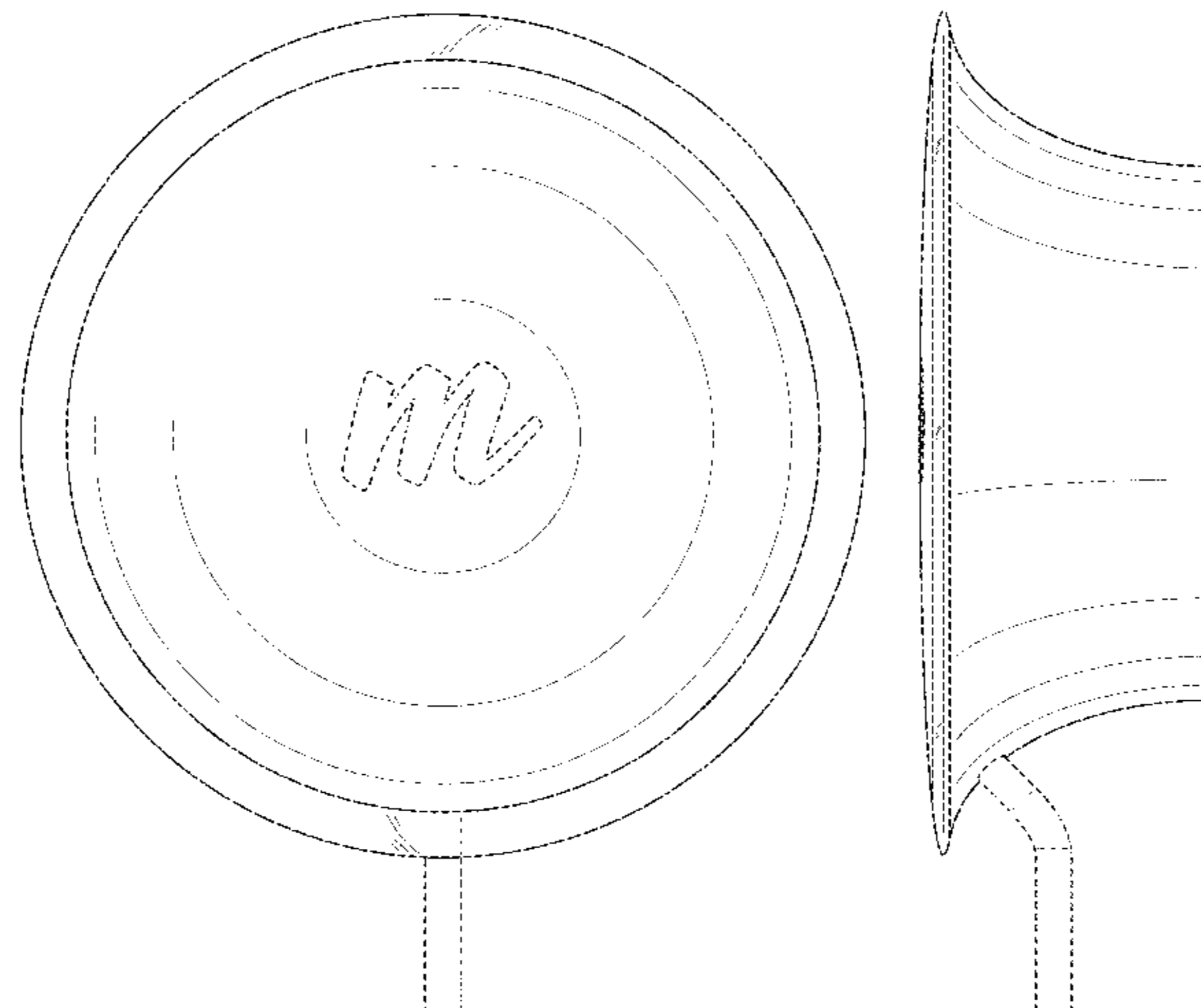
The center “m” logo in FIGS. 1, 2, and 4-7 forming part of the disclosure is a registered trademark of Mimosa Networks, Inc.

(56) **References Cited**

U.S. PATENT DOCUMENTS

2,735,993 A 2/1956 Humphrey
3,182,129 A * 5/1965 Clark et al. 381/67
D227,476 S * 6/1973 Kennedy D14/242
4,402,566 A 9/1983 Powell et al.
D273,111 S * 3/1984 Hirata et al. D14/330
4,626,863 A 12/1986 Knop et al.

1 Claim, 7 Drawing Sheets



(56)

References Cited

U.S. PATENT DOCUMENTS

- | | | | | |
|--------------|-----|---------|-----------------------|---------|
| D346,598 | S * | 5/1994 | McCay et al. | D14/137 |
| D355,416 | S * | 2/1995 | McCay et al. | D14/137 |
| 5,513,380 | A | 4/1996 | Ivanov et al. | |
| D375,501 | S * | 11/1996 | Lee et al. | D14/242 |
| 5,580,264 | A | 12/1996 | Aoyama et al. | |
| D389,575 | S * | 1/1998 | Grasfield et al. | D24/134 |
| 5,746,611 | A | 5/1998 | Brown et al. | |
| 6,176,739 | B1 | 1/2001 | Denlinger et al. | |
| D455,735 | S * | 4/2002 | Winslow | D14/240 |
| 6,421,538 | B1 | 7/2002 | Byrne | |
| 6,716,063 | B1 | 4/2004 | Bryant et al. | |
| 6,754,511 | B1 | 6/2004 | Halford et al. | |
| 6,847,653 | B1 | 1/2005 | Smiroldo | |
| D501,848 | S * | 2/2005 | Uehara et al. | D14/240 |
| 6,877,277 | B2 | 4/2005 | Kussel et al. | |
| 6,962,445 | B2 | 11/2005 | Zimmel et al. | |
| D533,899 | S * | 12/2006 | Ohashi et al. | D18/56 |
| 7,264,494 | B2 | 9/2007 | Kennedy et al. | |
| 7,281,856 | B2 | 10/2007 | Grzegorzewska et al. | |
| 7,306,485 | B2 | 12/2007 | Masuzaki | |
| 7,324,057 | B2 | 1/2008 | Argaman et al. | |
| D566,698 | S * | 4/2008 | Choi et al. | D14/240 |
| 7,380,984 | B2 | 6/2008 | Wuester | |
| 7,431,602 | B2 | 10/2008 | Corona | |
| 7,507,105 | B1 | 3/2009 | Peters et al. | |
| 7,542,717 | B2 | 6/2009 | Green, Sr. et al. | |
| 7,581,976 | B2 | 9/2009 | Liepold et al. | |
| 7,616,959 | B2 | 11/2009 | Spenik et al. | |
| 7,726,997 | B2 | 6/2010 | Kennedy et al. | |
| 7,778,226 | B2 | 8/2010 | Rayzman et al. | |
| 7,857,523 | B2 | 12/2010 | Masuzaki | |
| RE42,522 | E | 7/2011 | Zimmel et al. | |
| 8,069,465 | B1 | 11/2011 | Bartholomay et al. | |
| D674,787 | S * | 1/2013 | Tsuda et al. | D14/240 |
| 8,515,434 | B1 | 8/2013 | Narendran et al. | |
| D694,740 | S * | 12/2013 | Apostolakis | D14/240 |
| 8,777,660 | B2 | 7/2014 | Chiarelli et al. | |
| 8,792,759 | B2 | 7/2014 | Benton et al. | |
| 8,827,729 | B2 | 9/2014 | Gunreben et al. | |
| 8,836,601 | B2 | 9/2014 | Sanford et al. | |
| 9,001,689 | B1 | 4/2015 | Hinman et al. | |
| 9,130,305 | B2 | 9/2015 | Ramos et al. | |
| 9,161,387 | B2 | 10/2015 | Fink et al. | |
| 9,179,336 | B2 | 11/2015 | Fink et al. | |
| 9,191,081 | B2 | 11/2015 | Hinman et al. | |
| 2002/0102948 | A1 | 8/2002 | Stanwood et al. | |
| 2002/0159434 | A1 | 10/2002 | Gosior et al. | |
| 2003/0013452 | A1 | 1/2003 | Hunt et al. | |
| 2003/0027577 | A1 | 2/2003 | Brown et al. | |
| 2003/0169763 | A1 | 9/2003 | Choi et al. | |
| 2003/0224741 | A1 | 12/2003 | Sugar et al. | |
| 2004/0029549 | A1 | 2/2004 | Fikart | |
| 2004/0120277 | A1 | 6/2004 | Holur et al. | |
| 2004/0240376 | A1 | 12/2004 | Wang et al. | |
| 2005/0032479 | A1 | 2/2005 | Miller et al. | |
| 2005/0195758 | A1 | 9/2005 | Chitrapu | |
| 2005/0227625 | A1 | 10/2005 | Diener | |
| 2005/0271056 | A1 | 12/2005 | Kaneko | |
| 2006/0072518 | A1 | 4/2006 | Pan et al. | |
| 2006/0132602 | A1 | 6/2006 | Muto et al. | |
| 2006/0172578 | A1 | 8/2006 | Parsons | |
| 2006/0187952 | A1 | 8/2006 | Kappes et al. | |
| 2007/0001910 | A1 | 1/2007 | Yamanaka et al. | |
| 2007/0019664 | A1 | 1/2007 | Benveniste | |
| 2007/0060158 | A1 | 3/2007 | Medepalli et al. | |
| 2007/0173199 | A1 | 7/2007 | Sinha | |
| 2007/0173260 | A1 | 7/2007 | Love et al. | |
| 2007/0223701 | A1 | 9/2007 | Emeott et al. | |
| 2007/0238482 | A1 | 10/2007 | Rayzman et al. | |
| 2007/0268848 | A1 | 11/2007 | Khandekar et al. | |
| 2008/0109051 | A1 | 5/2008 | Splinter et al. | |
| 2008/0112380 | A1 | 5/2008 | Fischer | |
| 2008/0242342 | A1 | 10/2008 | Rofougaran | |
| 2009/0052362 | A1 | 2/2009 | Meier et al. | |
| 2009/0232026 | A1 | 9/2009 | Lu | |
| 2009/0233475 | A1 | 9/2009 | Mildon et al. | |
| 2009/0291690 | A1 | 11/2009 | Guvenc et al. | |
| 2010/0029282 | A1 | 2/2010 | Stamoulis et al. | |
| 2010/0046650 | A1 | 2/2010 | Jongren et al. | |
| 2010/0085950 | A1 | 4/2010 | Sekiya et al. | |
| 2010/0103065 | A1 | 4/2010 | Shtrom et al. | |
| 2010/0103066 | A1 | 4/2010 | Shtrom et al. | |
| 2010/0151877 | A1 | 6/2010 | Lee et al. | |
| 2010/0171675 | A1 | 7/2010 | Borja et al. | |
| 2010/0189005 | A1 | 7/2010 | Bertani et al. | |
| 2010/0210147 | A1 | 8/2010 | Hauser | |
| 2010/0315307 | A1 | 12/2010 | Syed et al. | |
| 2011/0006956 | A1 | 1/2011 | McCown | |
| 2011/0028097 | A1 | 2/2011 | Memik et al. | |
| 2011/0044186 | A1 | 2/2011 | Jung et al. | |
| 2011/0103309 | A1 | 5/2011 | Wang et al. | |
| 2011/0170424 | A1 | 7/2011 | Safavi | |
| 2011/0172916 | A1 | 7/2011 | Pakzad et al. | |
| 2011/0194644 | A1 | 8/2011 | Liu et al. | |
| 2011/0243291 | A1 | 10/2011 | McAllister et al. | |
| 2012/0008542 | A1 | 1/2012 | Koleszar et al. | |
| 2012/0040700 | A1 | 2/2012 | Gomes et al. | |
| 2012/0057533 | A1 | 3/2012 | Junell et al. | |
| 2012/0134280 | A1 | 5/2012 | Rotvold et al. | |
| 2012/0238201 | A1 | 9/2012 | Du et al. | |
| 2012/0314634 | A1 | 12/2012 | Sekhar | |
| 2013/0005350 | A1 | 1/2013 | Campos et al. | |
| 2013/0023216 | A1 | 1/2013 | Moscibroda et al. | |
| 2013/0176902 | A1 | 7/2013 | Wentink et al. | |
| 2013/0182652 | A1 | 7/2013 | Tong et al. | |
| 2013/0195081 | A1 | 8/2013 | Merlin et al. | |
| 2013/0210457 | A1 | 8/2013 | Kummetz | |
| 2013/0288735 | A1 | 10/2013 | Guo | |
| 2014/0098748 | A1 | 4/2014 | Chan et al. | |
| 2014/0145890 | A1 | 5/2014 | Ramberg et al. | |
| 2014/0198867 | A1 | 7/2014 | Sturkovich et al. | |
| 2014/0233613 | A1 | 8/2014 | Fink et al. | |
| 2014/0235244 | A1 | 8/2014 | Hinman | |
| 2014/0253378 | A1 | 9/2014 | Hinman | |
| 2014/0253402 | A1 | 9/2014 | Hinman et al. | |
| 2014/0254700 | A1 | 9/2014 | Hinman et al. | |
| 2014/0256166 | A1 | 9/2014 | Ramos et al. | |
| 2014/0320306 | A1 | 10/2014 | Winter | |
| 2014/0320377 | A1 | 10/2014 | Cheng et al. | |
| 2014/0355578 | A1 | 12/2014 | Fink et al. | |
| 2014/0355584 | A1 | 12/2014 | Fink et al. | |
| 2015/0002335 | A1 | 1/2015 | Hinman et al. | |
| 2015/0215952 | A1 | 7/2015 | Hinman et al. | |
| 2015/0256275 | A1 | 9/2015 | Hinman et al. | |
| 2015/0263816 | A1 | 9/2015 | Hinman et al. | |
| 2015/0319584 | A1 | 11/2015 | Fink et al. | |
| 2015/0325945 | A1 | 11/2015 | Ramos et al. | |
| 2015/0327272 | A1 | 11/2015 | Fink et al. | |
| 2015/0365866 | A1 | 12/2015 | Hinman et al. | |

FOREIGN PATENT DOCUMENTS

EP	002640177	2/2015
WO	WO2014137370	9/2014
WO	WO2014138292	9/2014
WO	WO2014193394	12/2014
WO	WO2015112627	7/2015

OTHER PUBLICATIONS

International Search Report and Written Opinion of the International Search Authority mailed Jun. 29, 2015 in Patent Cooperation Treaty Application No. PCT/US2015/012285, filed Jan. 21, 2015.

Hinman et al., Provisional Patent Application U.S. Appl. No. 61/774,632, filed Mar. 7, 2013.

First Official Notification mailed Jun. 15, 2015 in Chinese Design Patent Application 201530058063.8, filed Mar. 11, 2015.

International Search Report and Written Opinion of the International Search Authority mailed Nov. 26, 2013 in Patent Cooperation Treaty Application No. PCT/US2013/047406, filed Jun. 24, 2013.

International Search Report and Written Opinion of the International Search Authority mailed Aug. 9, 2013 in Patent Cooperation Treaty Application No. PCT/US2013/043436, filed May 30, 2013.

(56)

References Cited

OTHER PUBLICATIONS

International Search Report and Written Opinion of the International Search Authority mailed Jul. 1, 2014 in Patent Cooperation Treaty Application No. PCT/US2014/020880, filed Mar. 5, 2014.
Notice of Allowance, mailing date Aug. 19, 2015, U.S. Appl. No. 14/183,329, filed Feb. 18, 2014.

Final Office Action, mailing date Nov. 24, 2015, U.S. Appl. No. 14/183,375, filed Feb. 18, 2014.

Notice of Allowance, mailing date Oct. 26, 2015, U.S. Appl. No. 13/906,128, filed May 30, 2013.

Non-Final Office Action, mailing date Sep. 10, 2015, U.S. Appl. No. 14/198,378, filed Mar. 5, 2014.

* cited by examiner

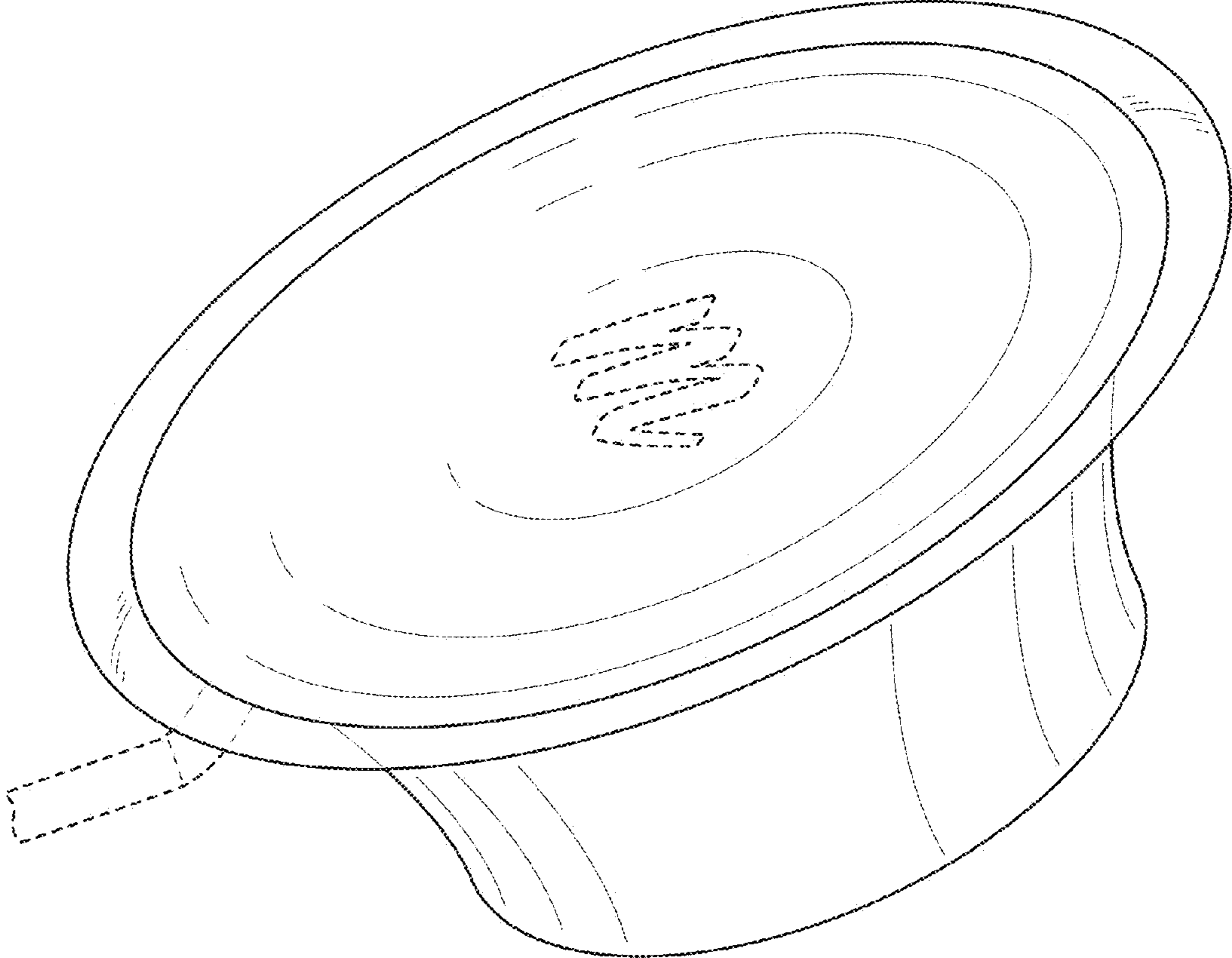


FIG. 1

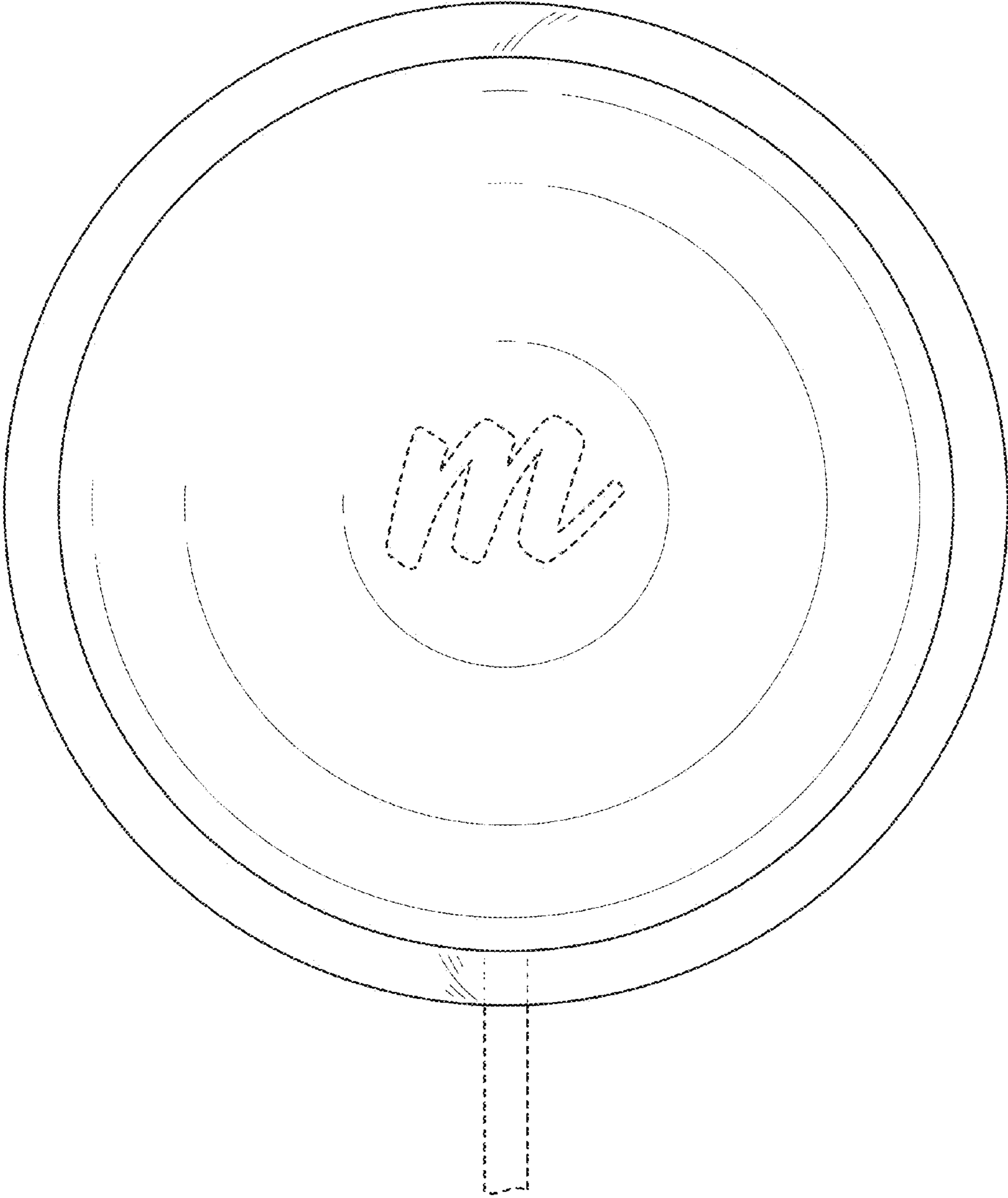


FIG. 2

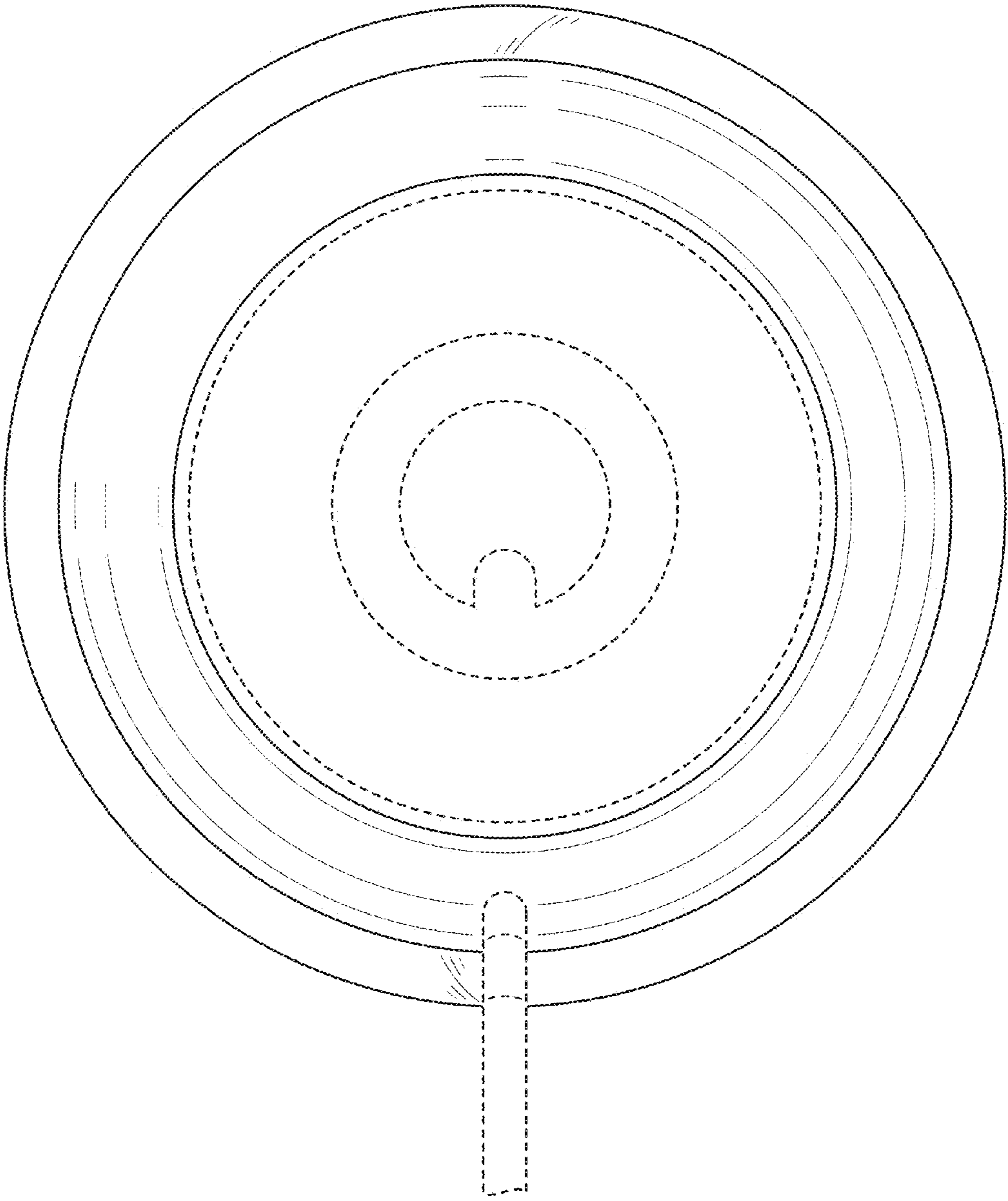


FIG. 3

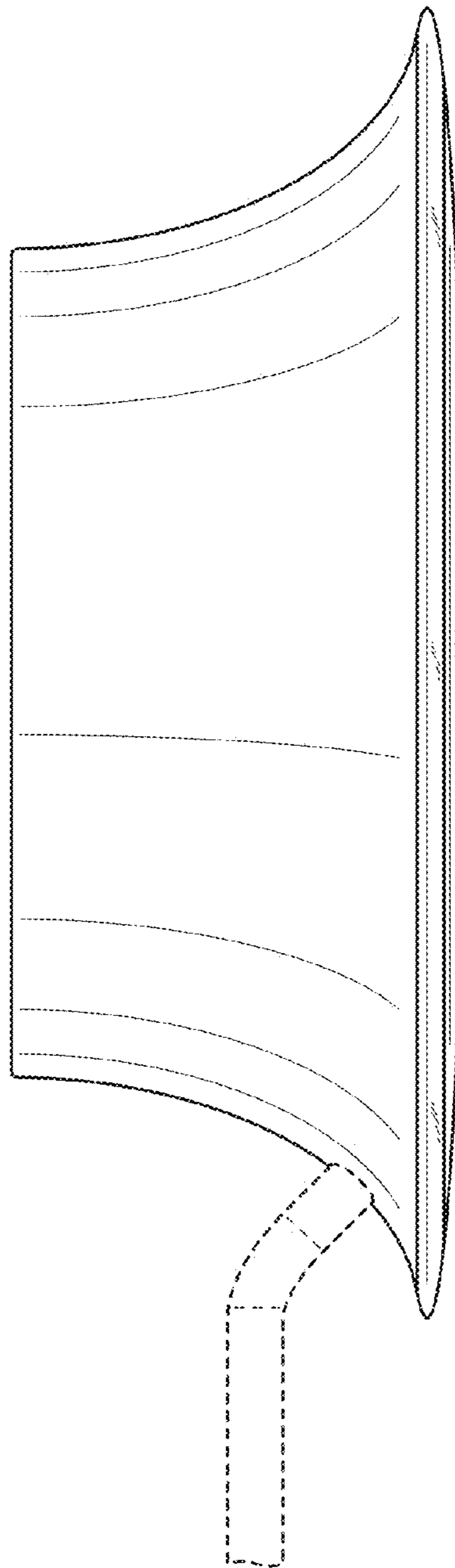


FIG. 4

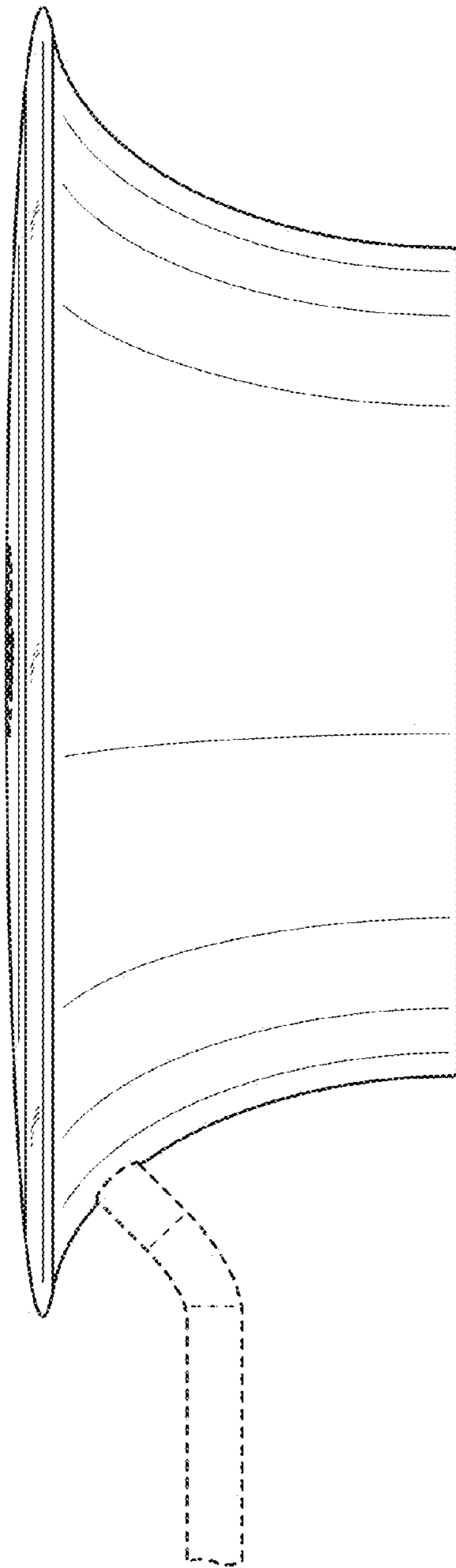


FIG. 5

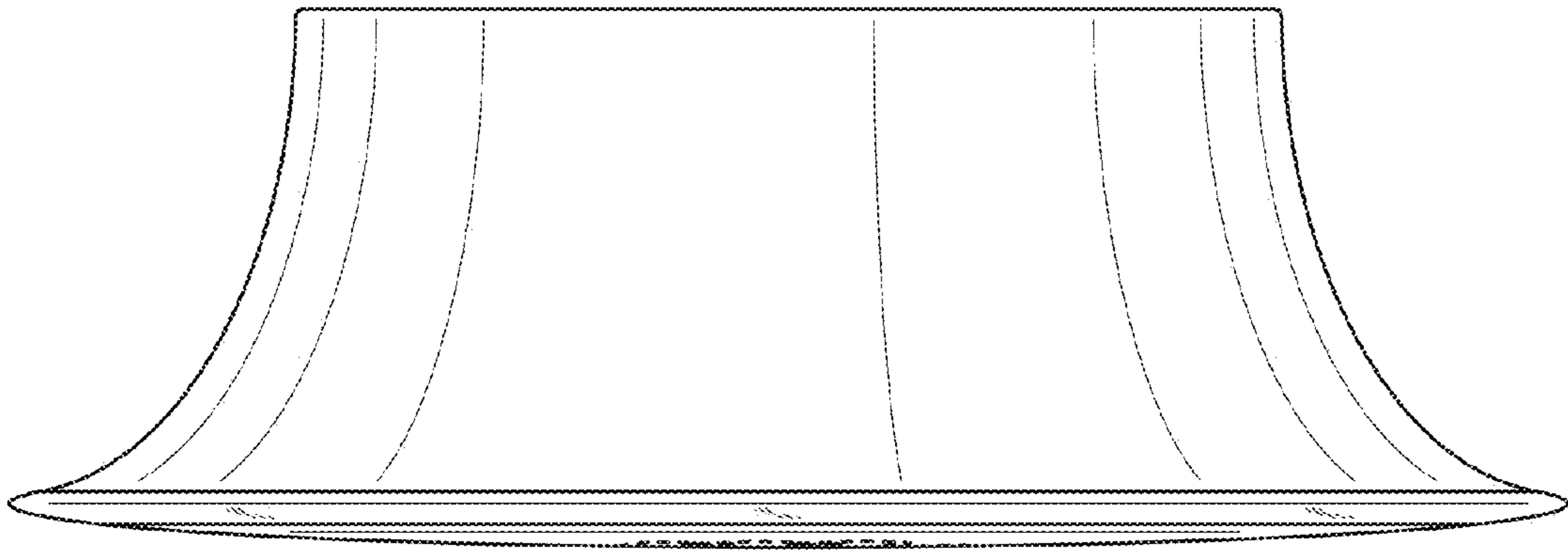


FIG. 6

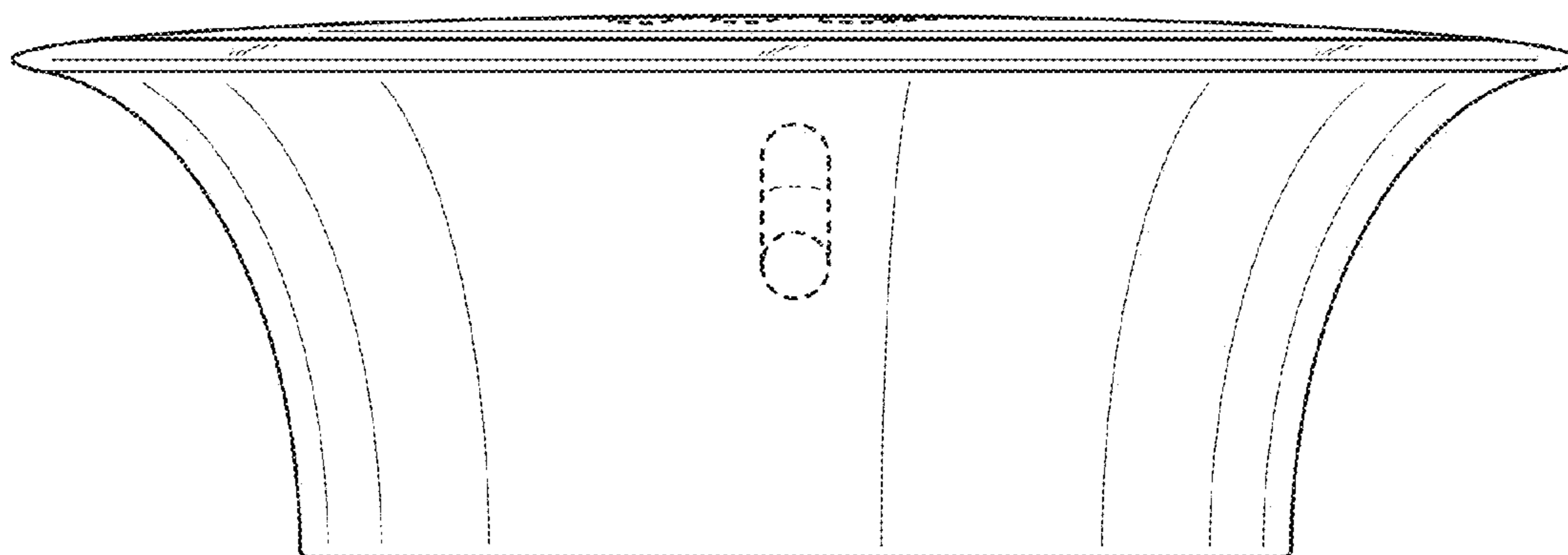


FIG. 7