



US00D752551S

(12) **United States Design Patent**  
**Wong**

(10) **Patent No.:** **US D752,551 S**  
(45) **Date of Patent:** **\*\* Mar. 29, 2016**

(54) **SPEAKER**

(71) Applicant: **GIBSON INNOVATIONS BELGIUM N.V.**

(72) Inventor: **King Shun Cheong Wong, Hong Kong (CN)**

(73) Assignee: **GIBSON INOVATIONS BELGIUM N.V., Leuven (BE)**

(\*\*) Term: **14 Years**

(21) Appl. No.: **29/503,890**

(22) Filed: **Sep. 30, 2014**

(30) **Foreign Application Priority Data**

May 30, 2014 (EM) ..... 002473629-0001

(51) **LOC (10) Cl.** ..... **14-03**

(52) **U.S. Cl.**  
USPC ..... **D14/216**

(58) **Field of Classification Search**

USPC ..... D14/167, 168, 170-172, 188, 194-196, D14/204, 207, 209.1, 210-216, 219, 221, D14/222, 224, 496; 181/143, 144, 147, 148, 181/150, 153, 157, 198, 199; 381/300-303, 381/306, 332, 333, 336, 345, 361-364, 381/386-388; 369/6-12

CPC .... B60R 11/0217; G06F 1/1688; H04M 1/03; H04M 1/035; H04R 1/02; H04R 1/06; H04R 1/021; H04R 1/025; H04R 1/026; H04R 1/028; H04R 1/105; H04R 1/323; H04R 1/403; H04R 1/2803; H04R 1/2834; H04R 5/02; H04R 7/20; H04R 9/06; H04R 9/025;

H04R 2201/021; H04R 2400/00; H04R 2400/07; H04R 2499/11; H04R 2499/13; H04R 2499/15; H04S 3/00; H04S 7/30

See application file for complete search history.

(56) **References Cited**

U.S. PATENT DOCUMENTS

D727,297 S *	4/2015	Valeur	.....	D14/216
D728,520 S *	5/2015	Zhang	.....	D14/216
D728,521 S *	5/2015	Zhang	.....	D14/216
D728,522 S *	5/2015	Zhang	.....	D14/216
D728,525 S *	5/2015	Zhang	.....	D14/216
D728,526 S *	5/2015	Zhang	.....	D14/216

\* cited by examiner

*Primary Examiner* — Keli L Hill

(74) *Attorney, Agent, or Firm* — Bates & Bates, LLC

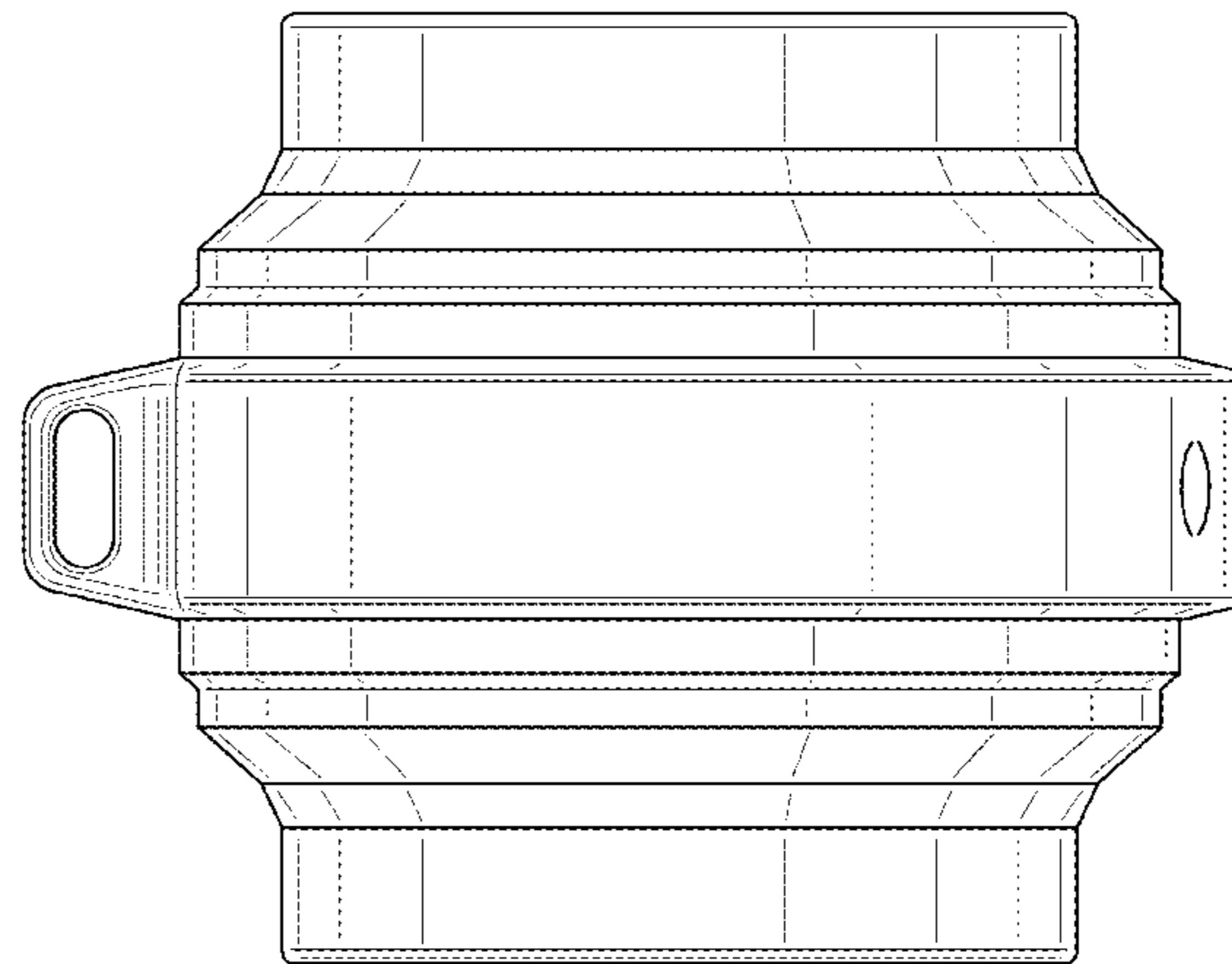
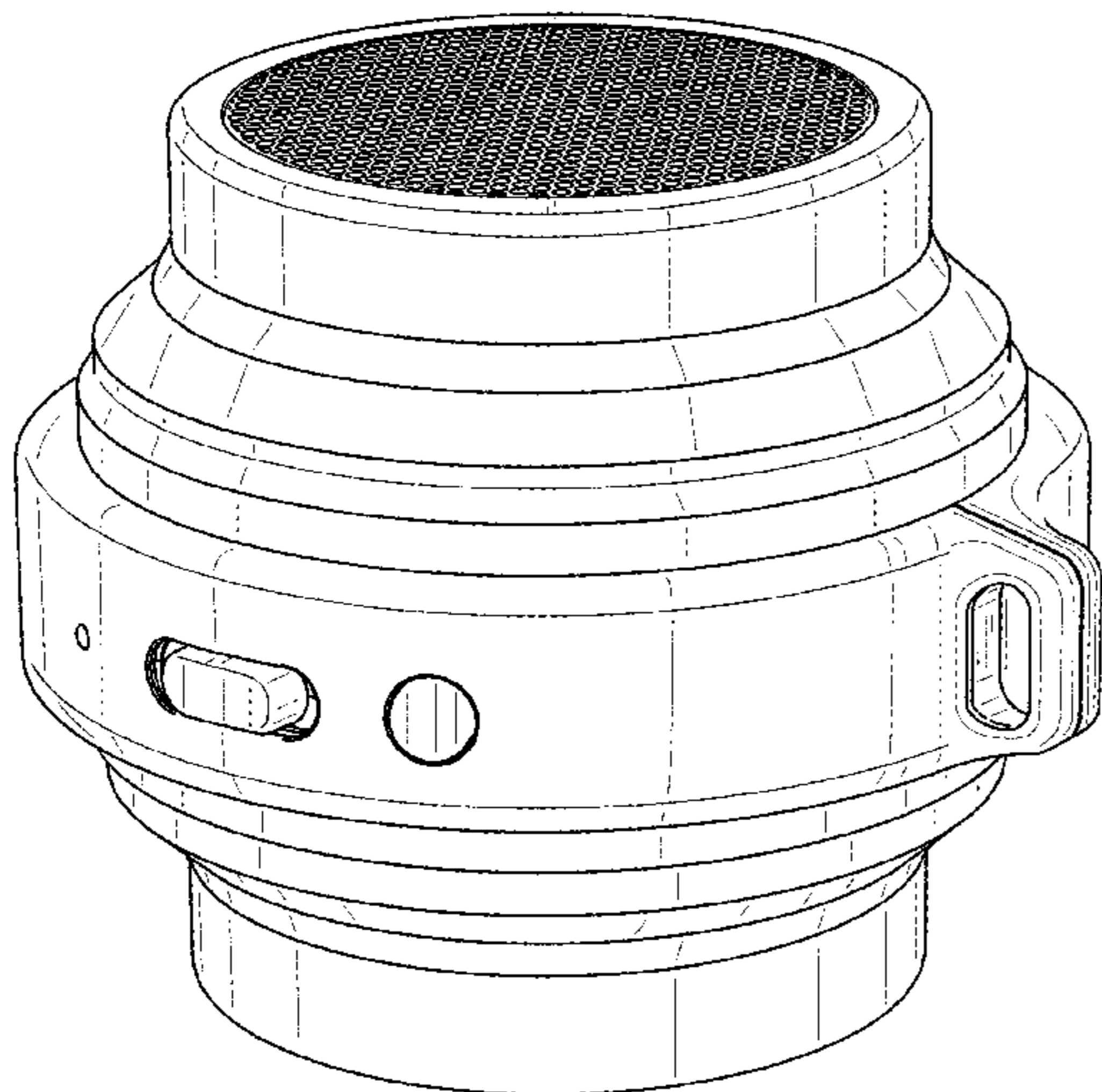
(57) **CLAIM**

The ornamental design for speaker, as shown and described.

**DESCRIPTION**

FIG. 1 is a perspective view of a speaker according to an embodiment of the claimed design; FIG. 2 is a front elevational view of the speaker of FIG. 1; FIG. 3 is a rear elevational view of the speaker of FIG. 1; FIG. 4 is a left elevational view of the speaker of FIG. 1; FIG. 5 is a right elevational view of the speaker of FIG. 1; FIG. 6 is a top elevational view of the speaker of FIG. 1; and, FIG. 7 is a bottom elevational view of the speaker of FIG. 1. The features shown in broken lines are environment only and not part of the claimed design.

**1 Claim, 7 Drawing Sheets**



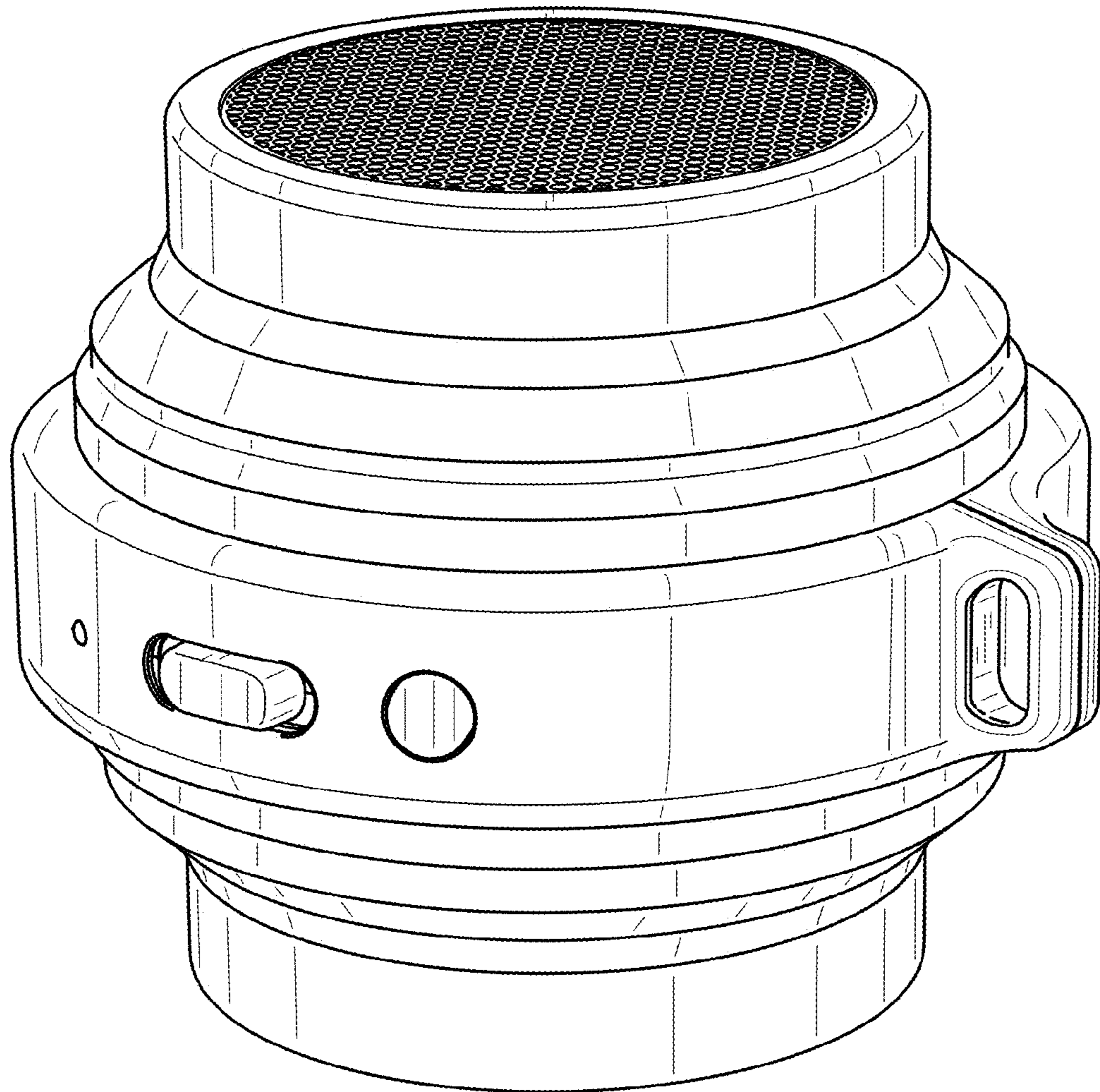


FIG. 1

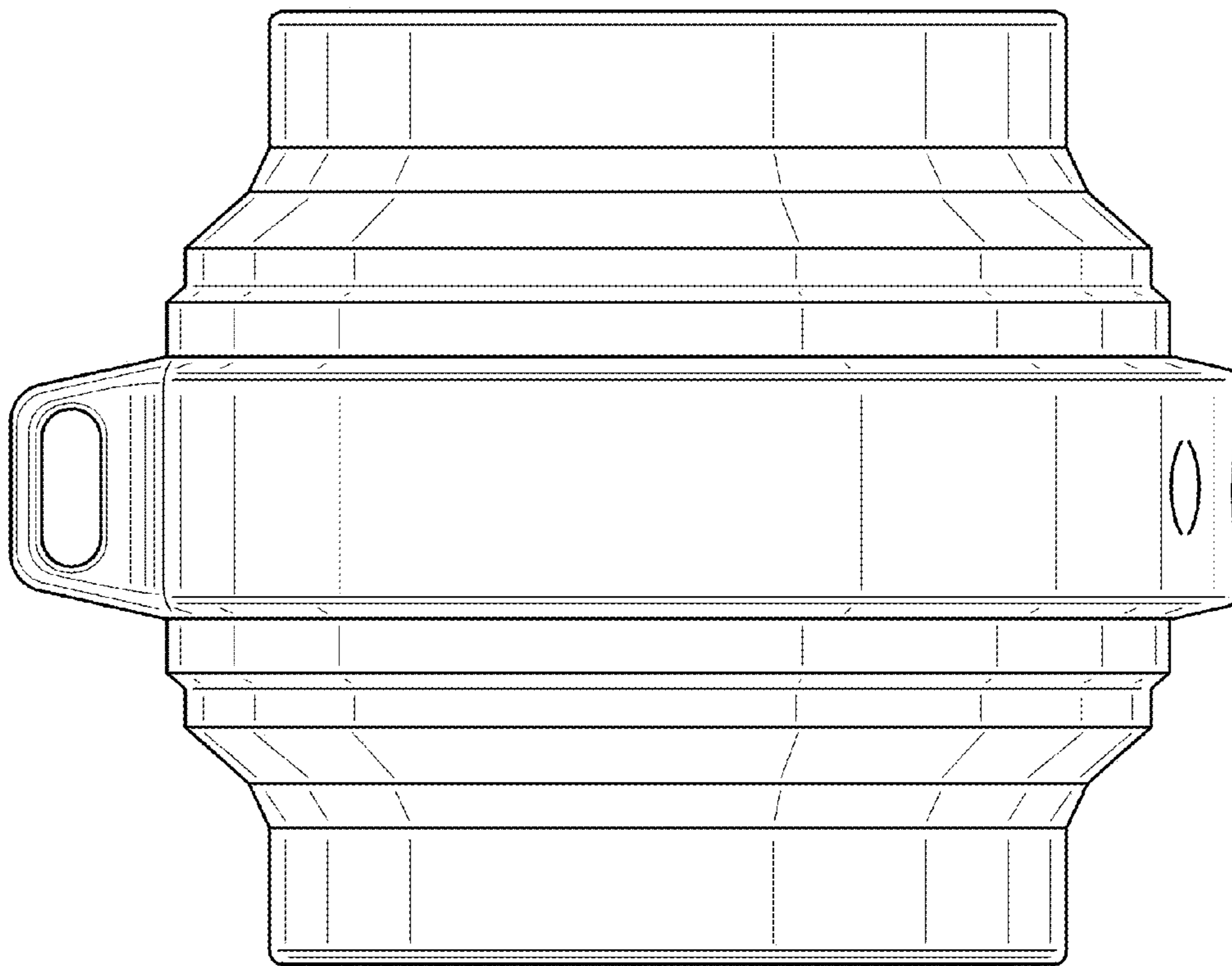


FIG. 2

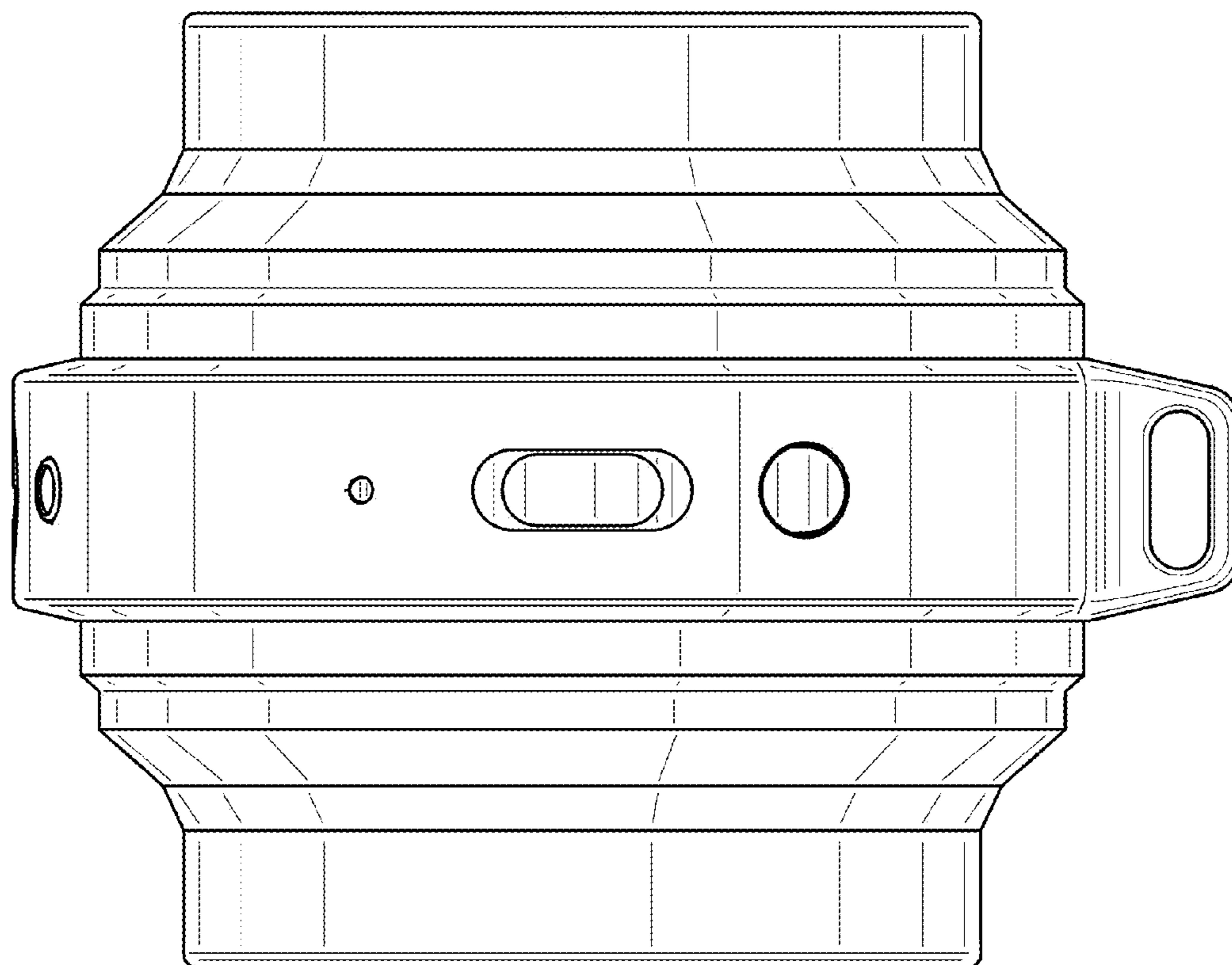


FIG. 3

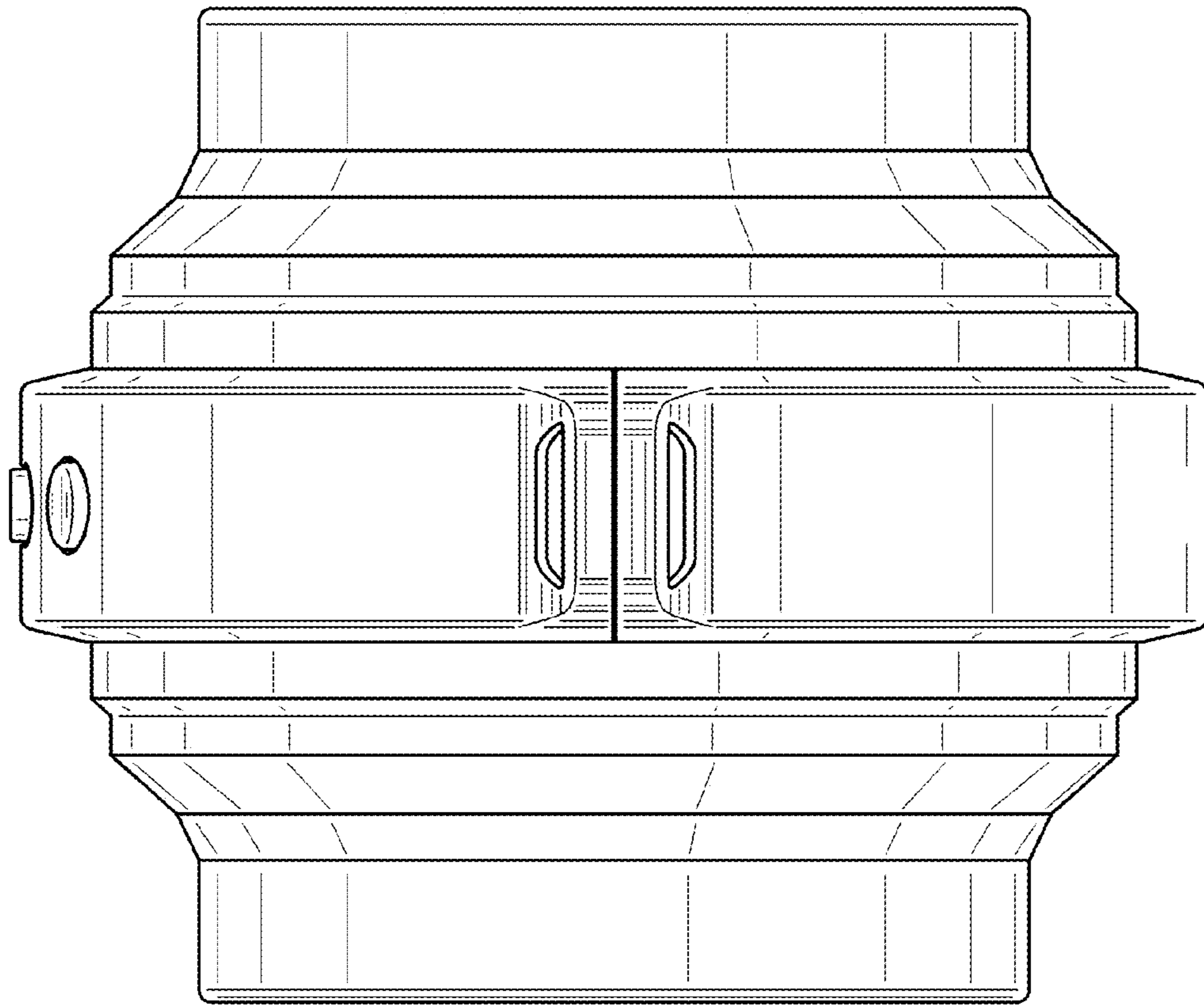


FIG. 4

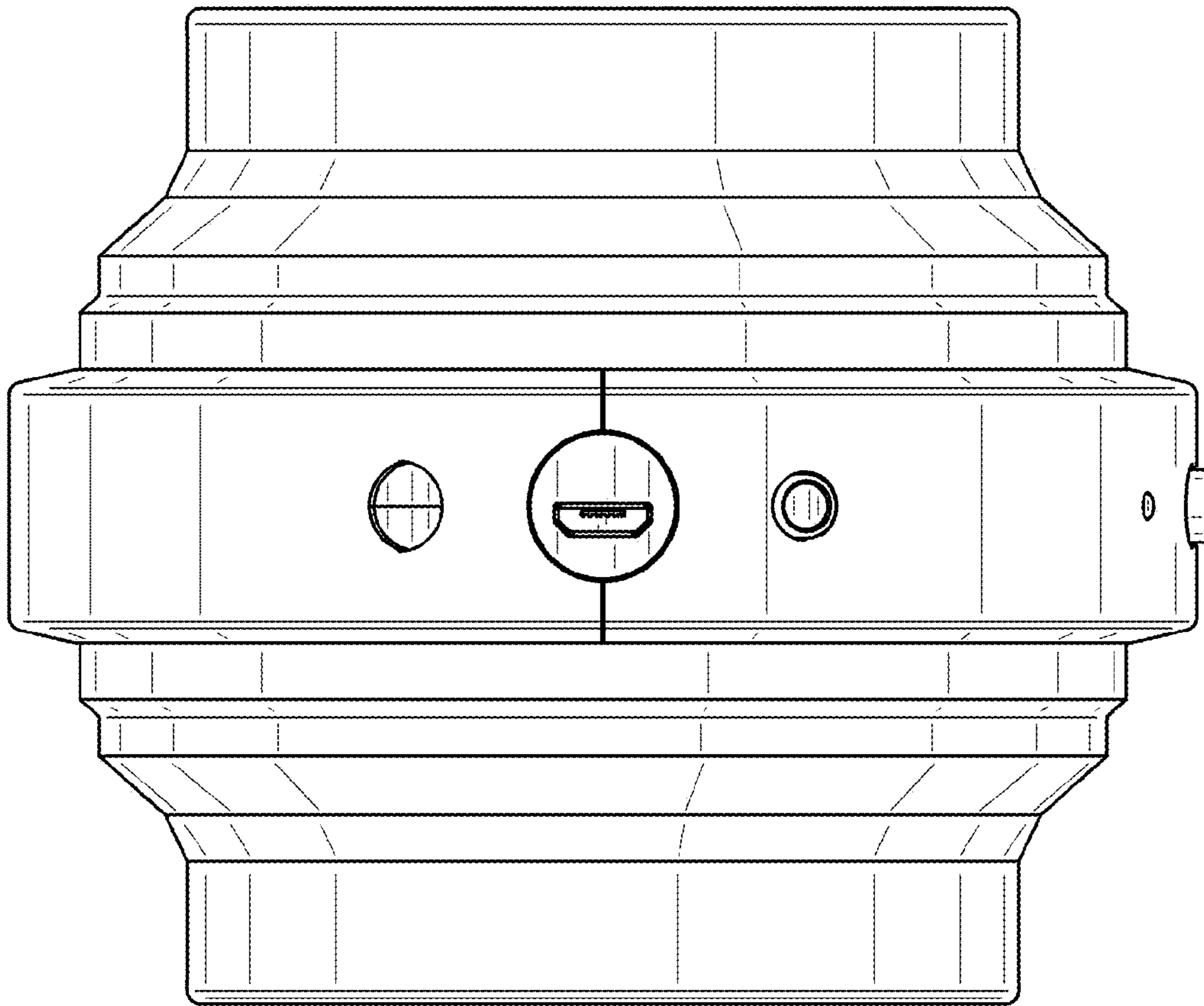


FIG. 5

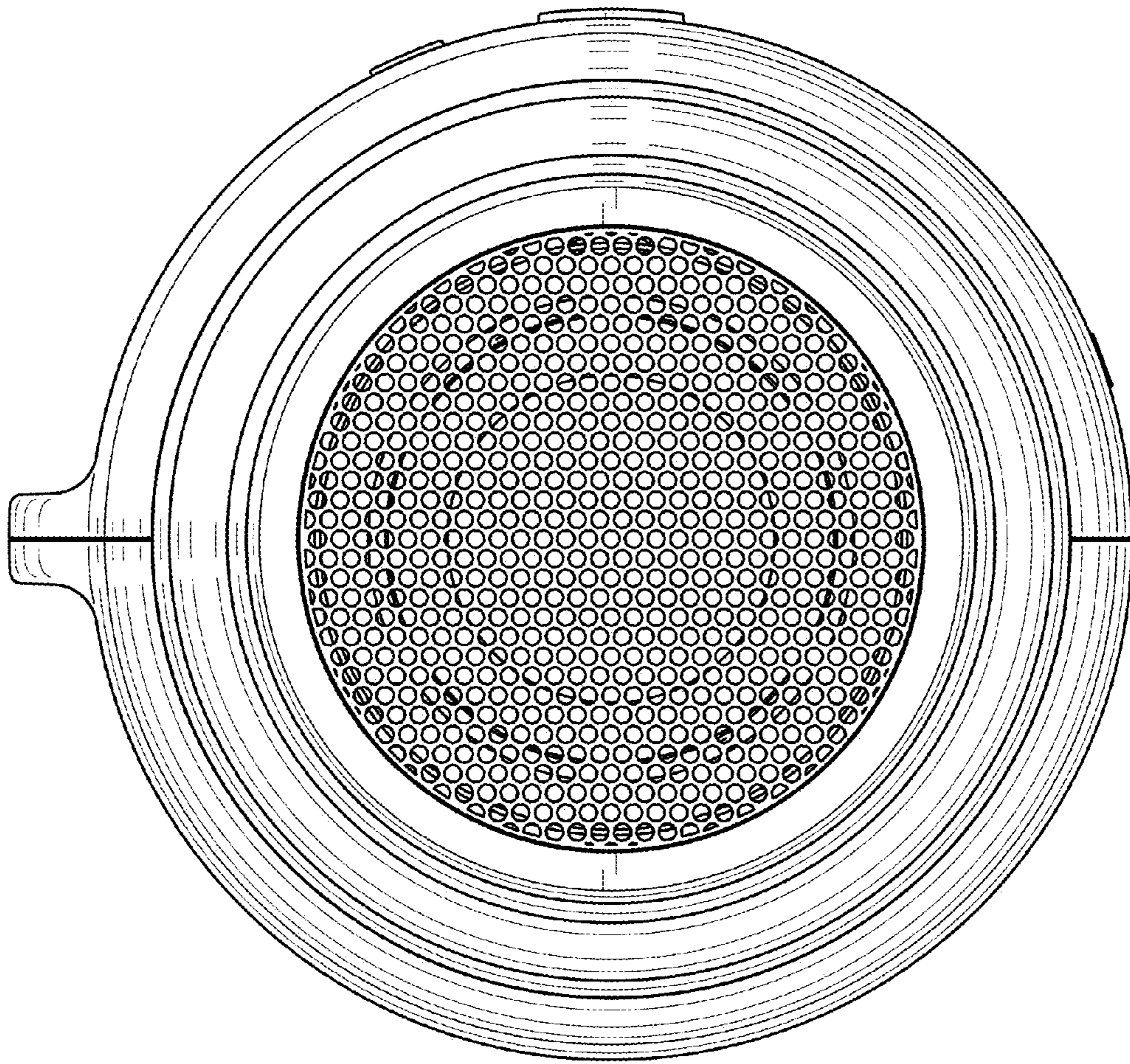


FIG. 6

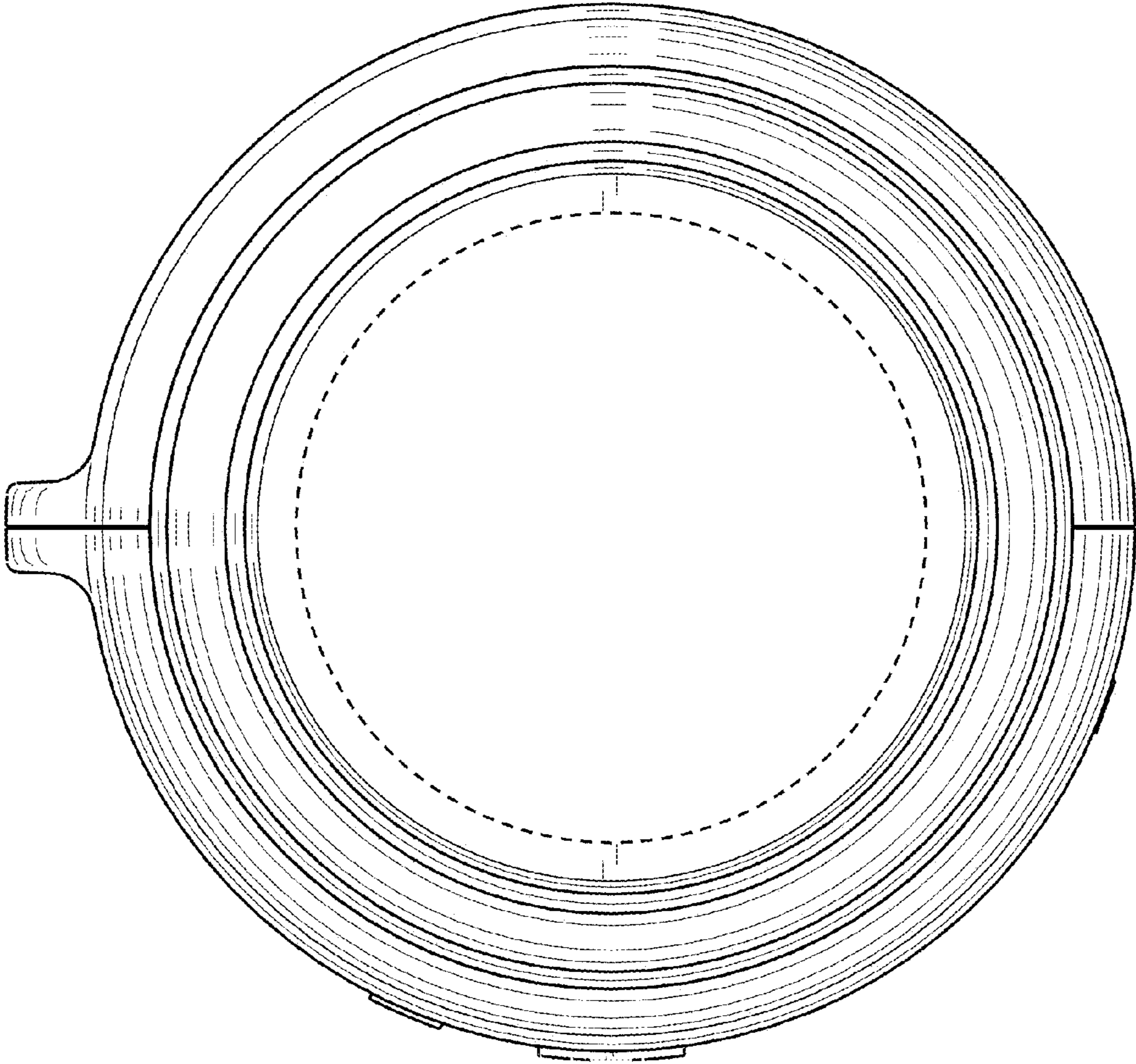


FIG. 7