



US00D752549S

(12) **United States Design Patent**
Jakowski et al.

(10) **Patent No.:** **US D752,549 S**
(45) **Date of Patent:** **** Mar. 29, 2016**

- (54) **LINE ARRAY ELEMENT**
- (71) Applicant: **Robert Bosch GmbH**, Stuttgart (DE)
- (72) Inventors: **Steven J. Jakowski**, Farmington, MN (US); **Michael P. Carpenter**, Brooklyn Park, MN (US)
- (73) Assignee: **Robert Bosch GmbH**, Stuttgart (DE)
- (**) Term: **14 Years**

5,546,468 A	8/1996	Beard	
6,112,847 A	9/2000	Lehman	
6,343,133 B1	1/2002	Adamson	
6,870,942 B1	3/2005	Graber	
7,278,513 B2	10/2007	Brawley	
D570,827 S	6/2008	Azumi	
D654,474 S *	2/2012	Hawkins et al.	D14/214
D671,912 S	12/2012	Warden	
D671,913 S *	12/2012	Warden et al.	D14/204
D675,188 S *	1/2013	Hawkins et al.	D14/210
8,362,965 B2	1/2013	Henderson	
D684,557 S *	6/2013	Warden et al.	D14/204
D689,042 S	9/2013	Lum	

(Continued)

- (21) Appl. No.: **29/503,685**
- (22) Filed: **Sep. 29, 2014**
- (51) **LOC (10) Cl.** **14-03**
- (52) **U.S. Cl.**
USPC **D14/214**
- (58) **Field of Classification Search**
USPC D14/167, 168, 170-172, 188, 194-196, D14/204, 207, 209.1, 210-216, 219, 221, D14/222, 224, 496; 181/143, 144, 147, 148, 181/150, 153, 157, 198, 199; 381/300-303, 381/306, 332, 333, 336, 345, 361-364, 381/386-388; 369/6-12
CPC B60R 11/0217; G06F 1/1688; H04M 1/03; H04M 1/035; H04R 1/02; H04R 1/06; H04R 1/021; H04R 1/025; H04R 1/026; H04R 1/028; H04R 1/105; H04R 1/323; H04R 1/403; H04R 1/2803; H04R 1/2834; H04R 5/02; H04R 7/20; H04R 9/06; H04R 9/025; H04R 2201/021; H04R 2400/00; H04R 2400/07; H04R 2499/11; H04R 2499/13; H04R 2499/15; H04S 3/00; H04S 7/30
See application file for complete search history.

OTHER PUBLICATIONS

U.S. Appl. No. 29/503,691, Steven J. Jakowski et al., dated Sep. 29, 2014 (6 pages).

(Continued)

Primary Examiner — Keli L Hill

(74) *Attorney, Agent, or Firm* — Michael Best & Friedrich LLP

(57) **CLAIM**

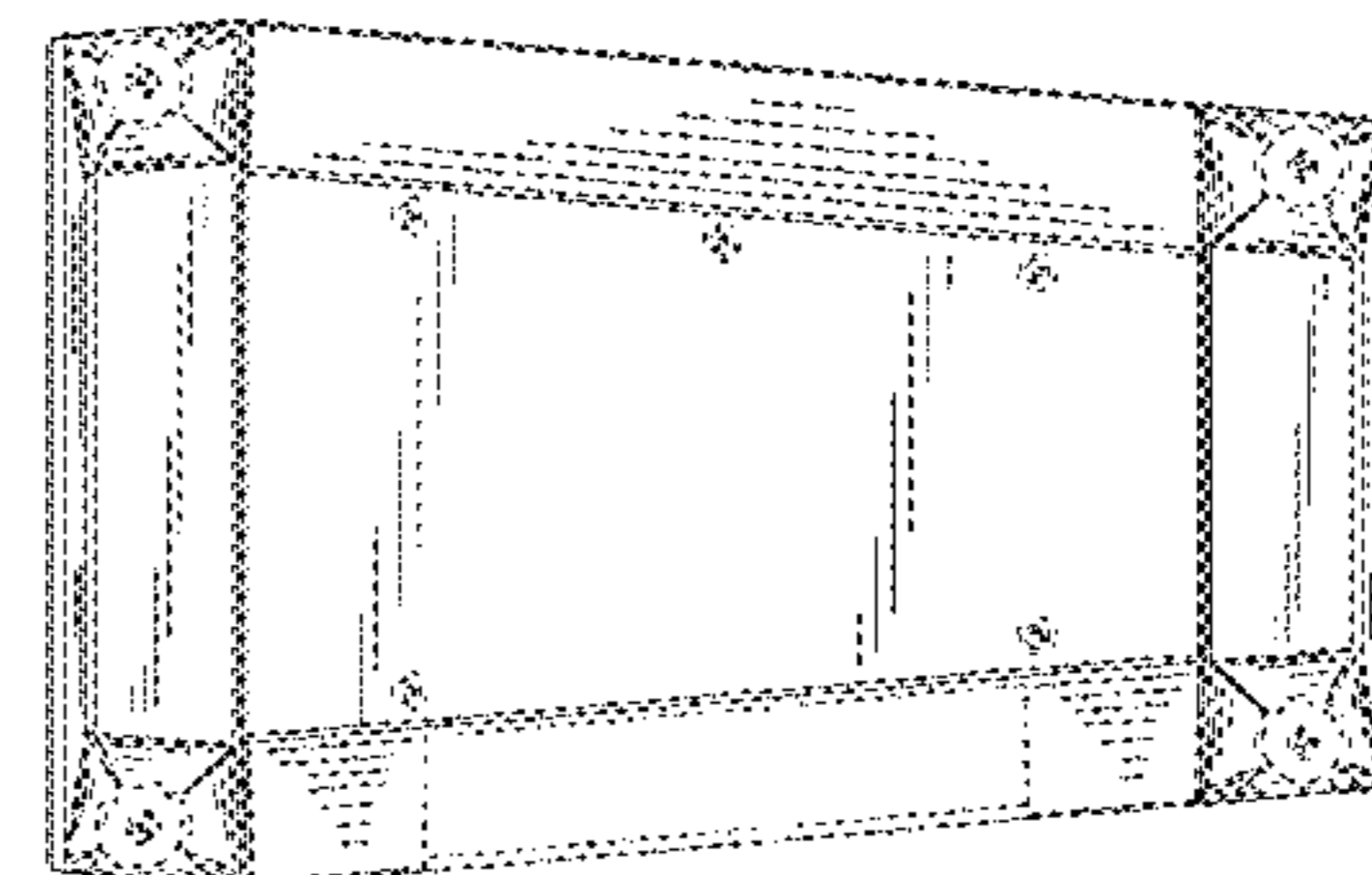
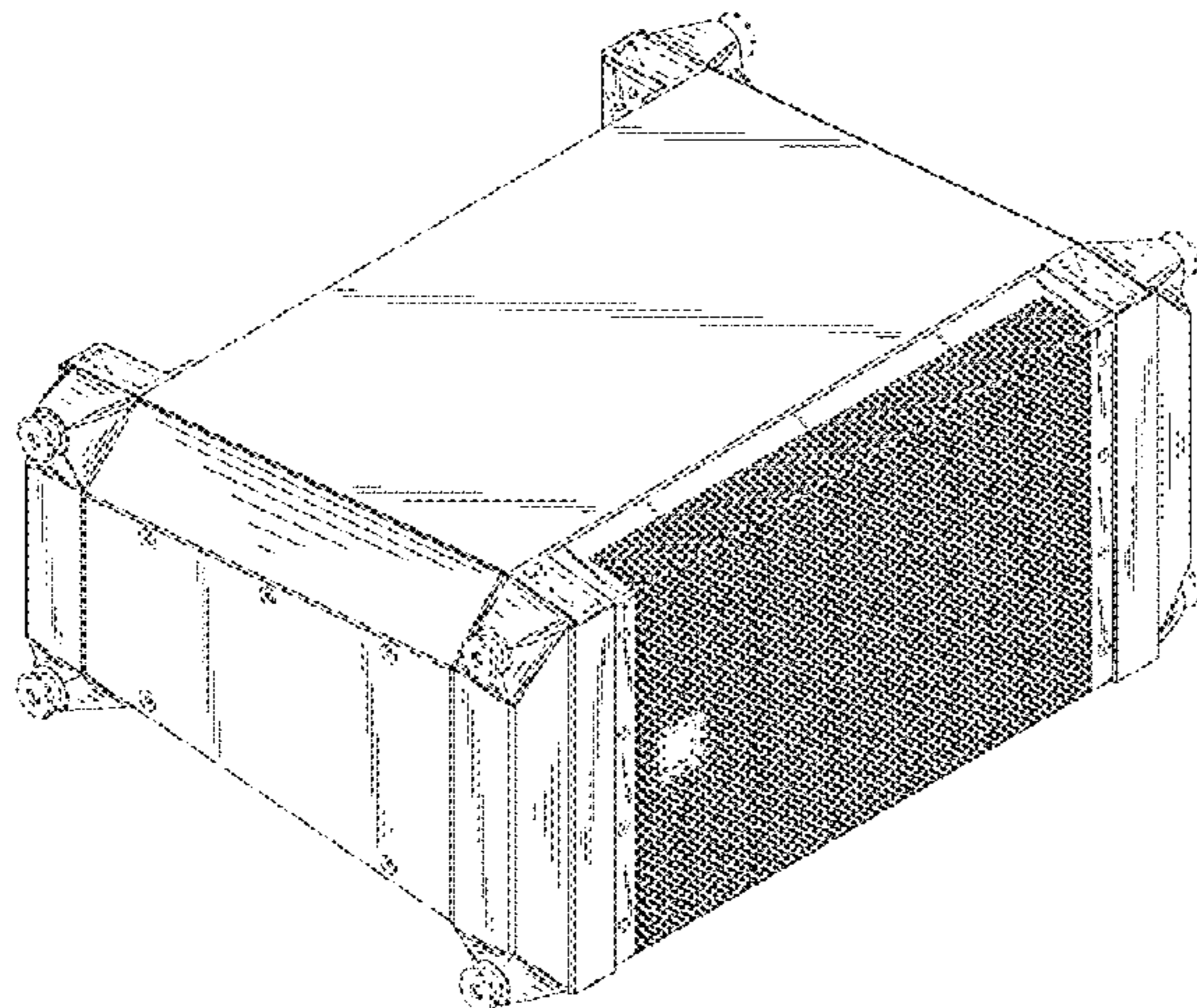
The ornamental design for a line array element, as shown and described.

DESCRIPTION

FIG. 1 is a left front perspective view of a line array element showing our new design;
 FIG. 2 is a front view thereof;
 FIG. 3 is a left side view thereof;
 FIG. 4 is a right side view thereof;
 FIG. 5 is a rear view thereof;
 FIG. 6 is a top view thereof; and,
 FIG. 7 is a bottom view thereof.
 Features of the drawings that are not considered part of the design currently sought to be patented have been shown in broken lines.

- (56) **References Cited**
U.S. PATENT DOCUMENTS
D202,900 S 11/1965 Shaper
4,180,790 A 12/1979 Thomas

1 Claim, 6 Drawing Sheets



(56)

References Cited

U.S. PATENT DOCUMENTS

D692,863 S * 11/2013 Givre et al. D14/214
D692,864 S * 11/2013 Givre et al. D14/214
D695,269 S 12/2013 Carpenter et al.
D695,717 S 12/2013 Carpenter et al.
D698,336 S * 1/2014 Givre et al. D14/214
D711,854 S 8/2014 Sulzer et al.
D712,878 S * 9/2014 Azumi D14/214

D727,292 S * 4/2015 Anthony et al. D14/214
D727,874 S * 4/2015 Christner D14/210
D736,746 S 8/2015 Cheng
D736,747 S 8/2015 Yau et al.

OTHER PUBLICATIONS

U.S. Appl. No. 29/503,700, Steven J. Jakowski et al., dated Sep. 29, 2014 (7 pages).

* cited by examiner

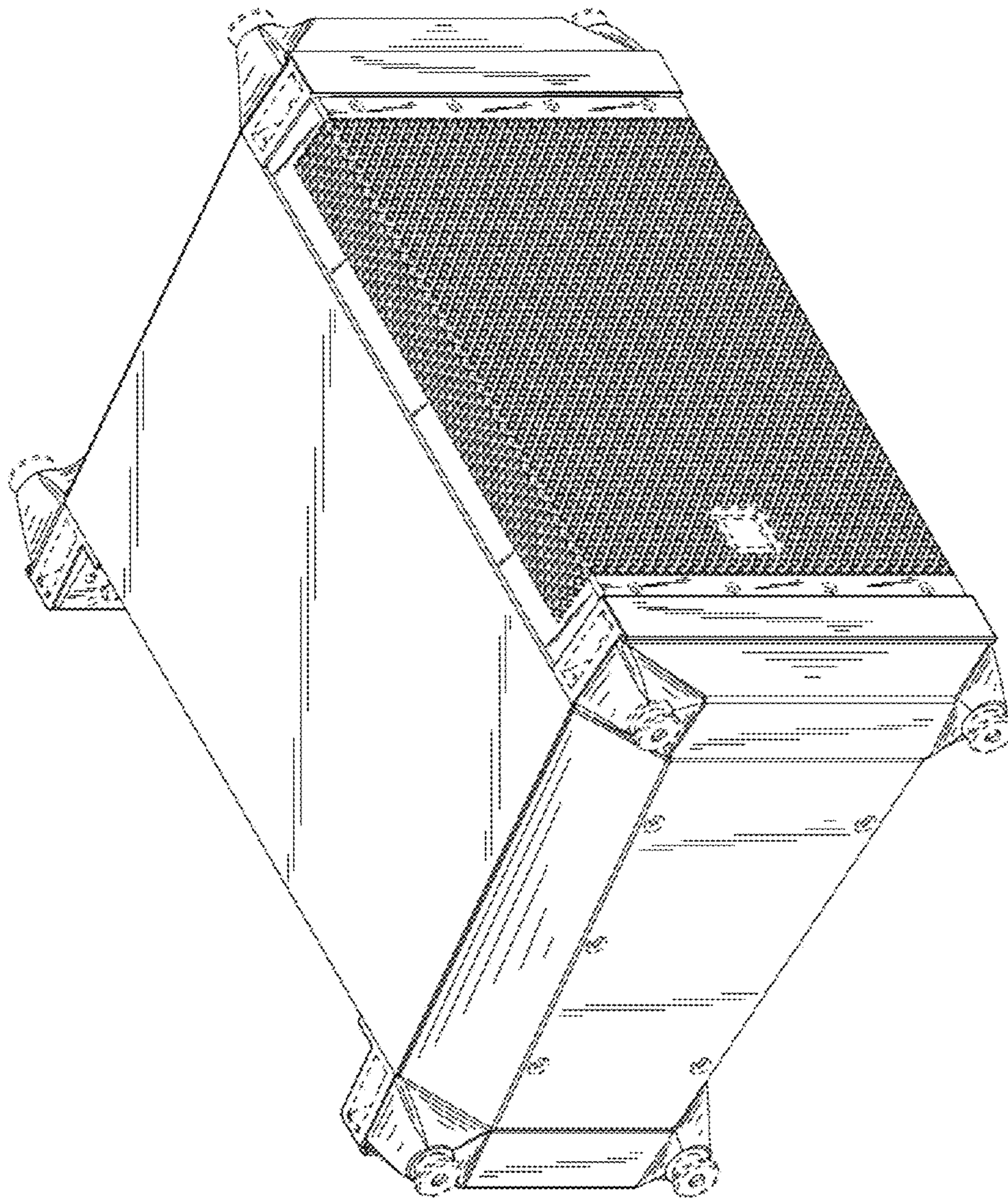


FIG. 1

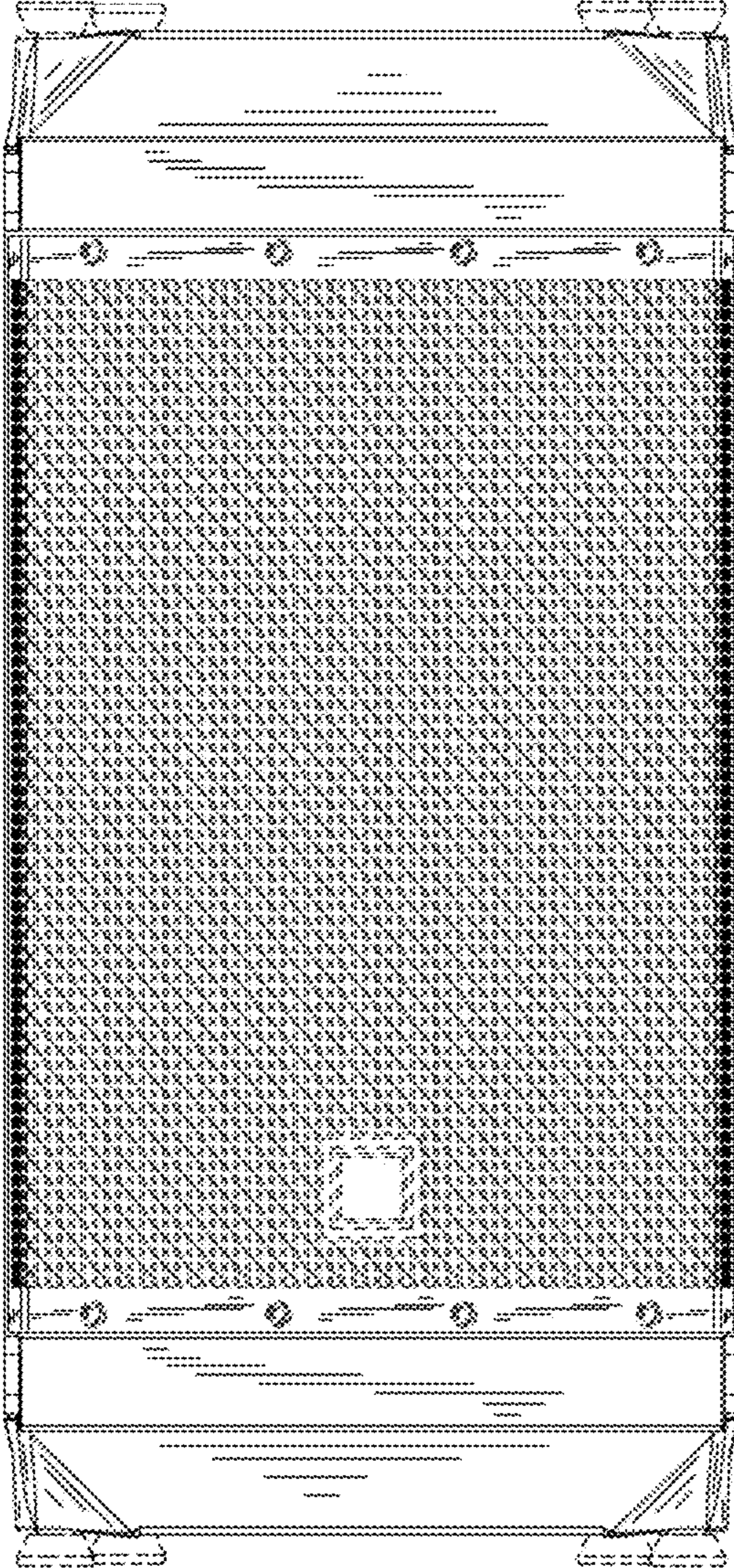


FIG. 2

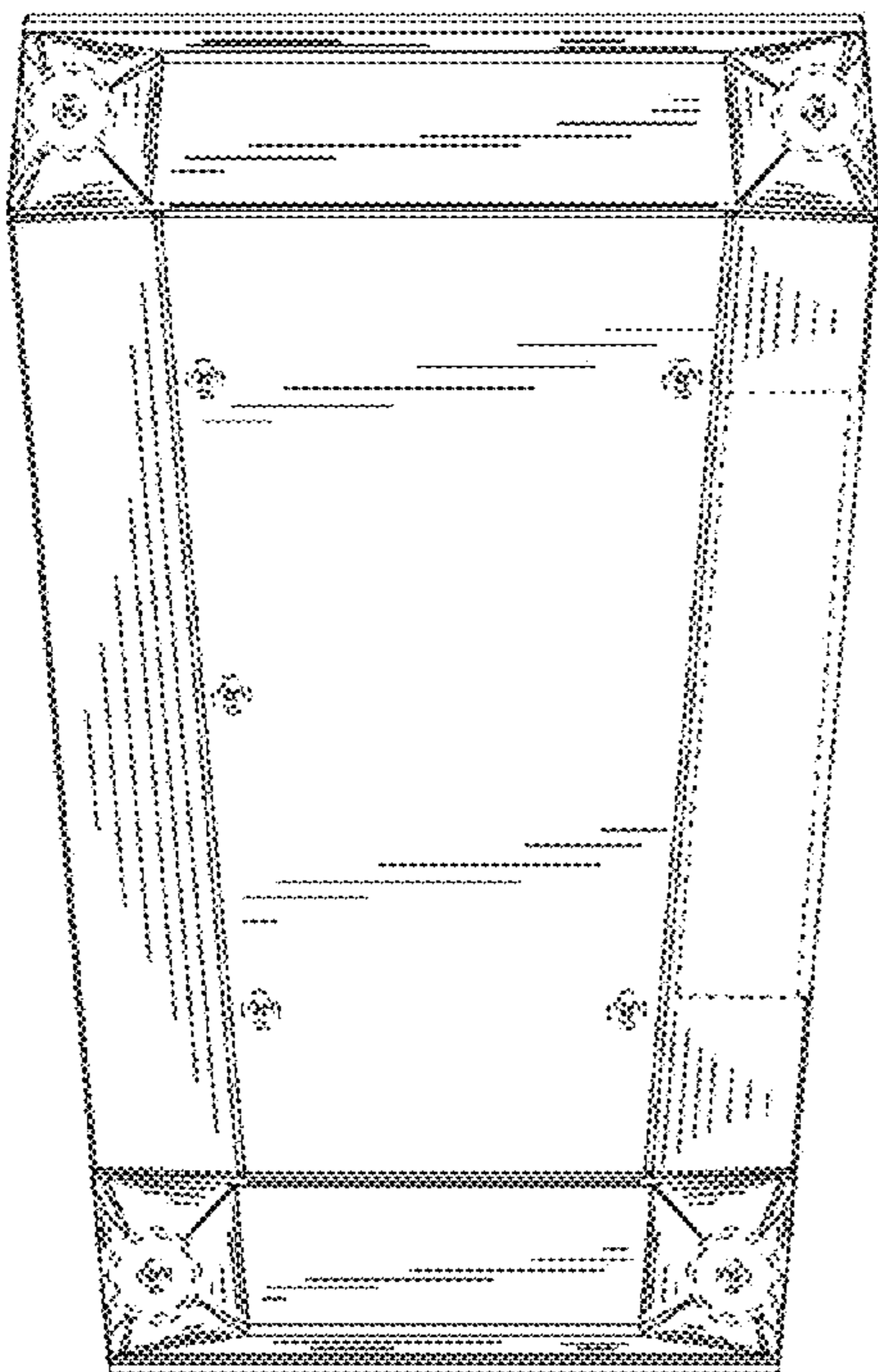


FIG. 3

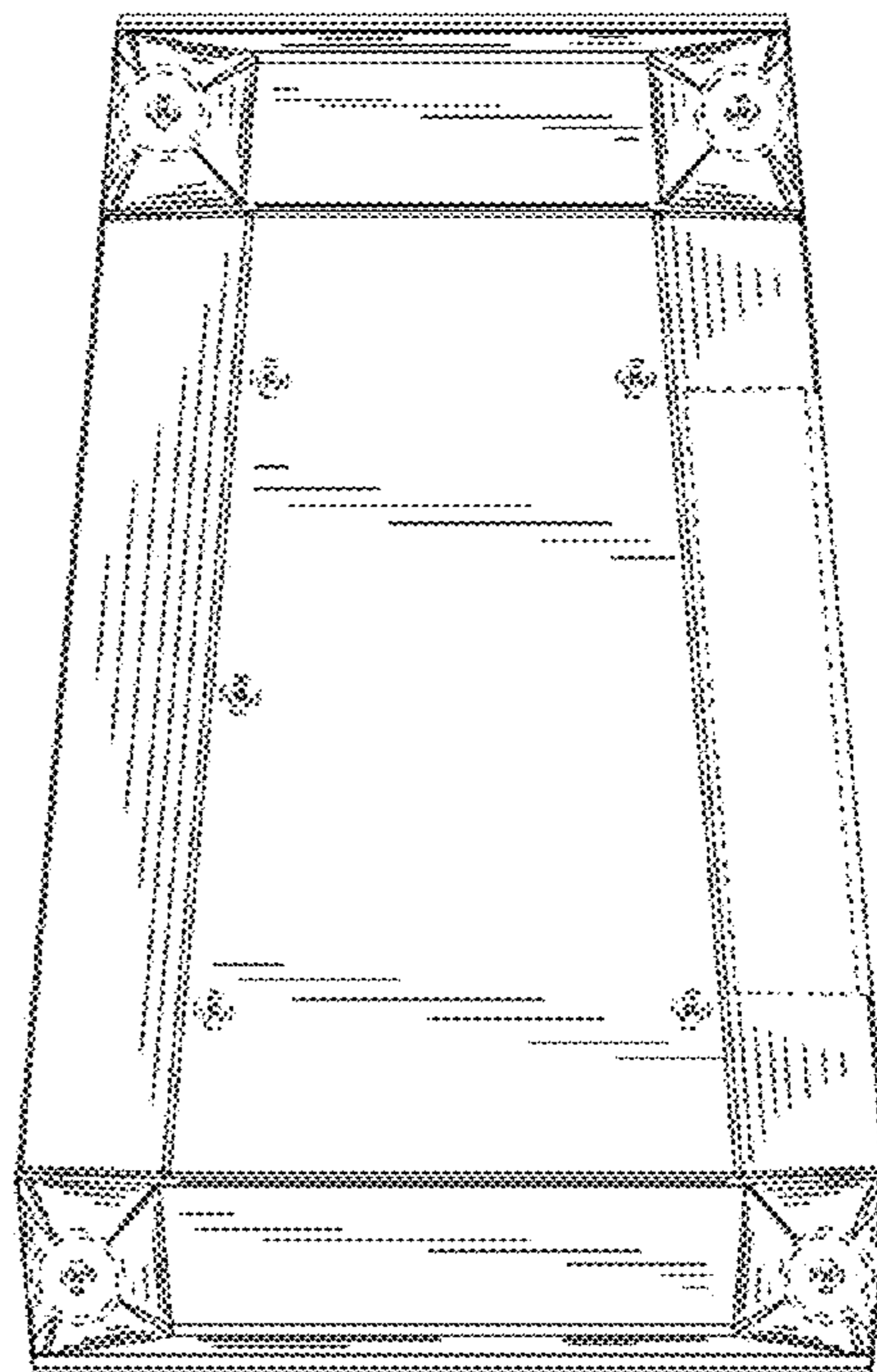


FIG. 4

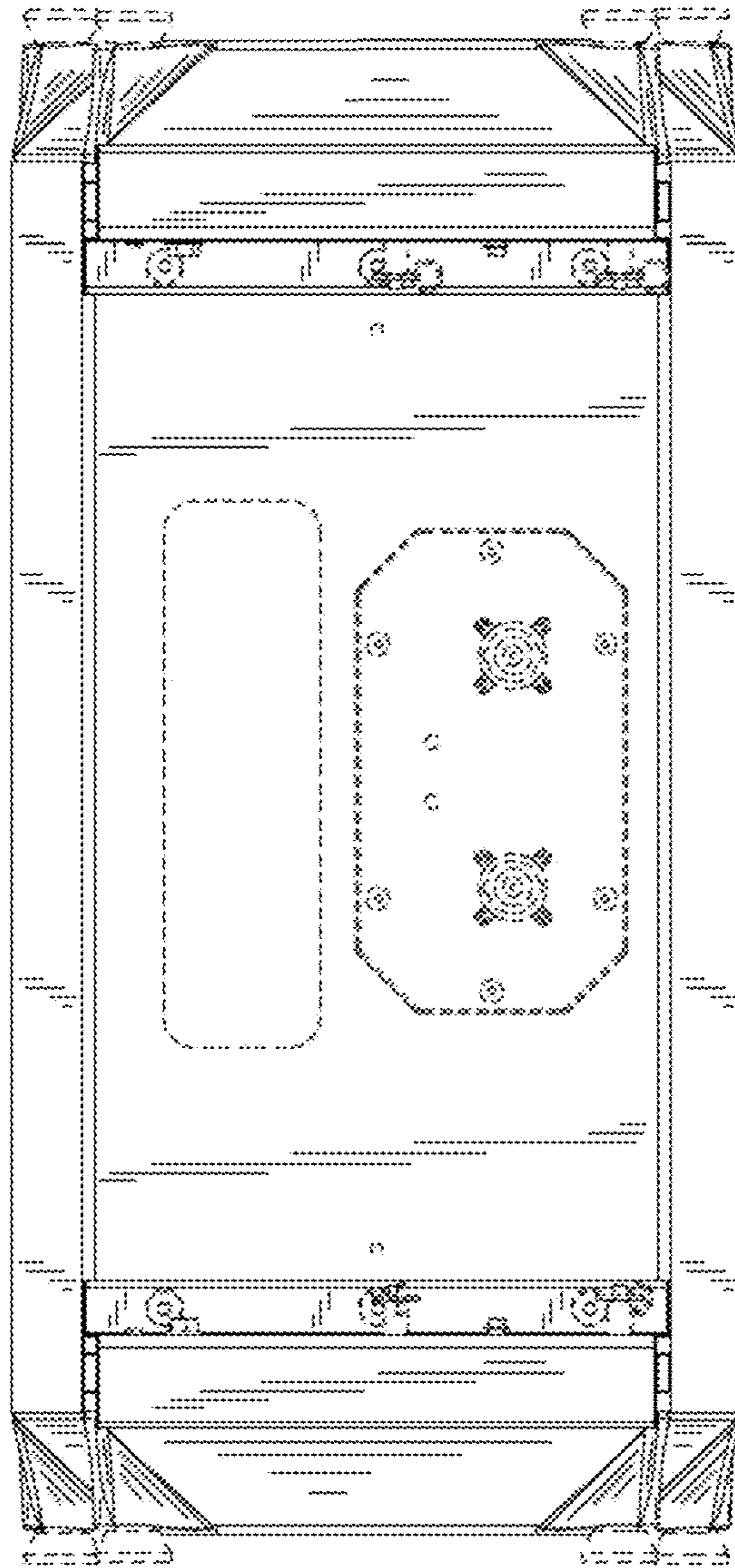


FIG. 5

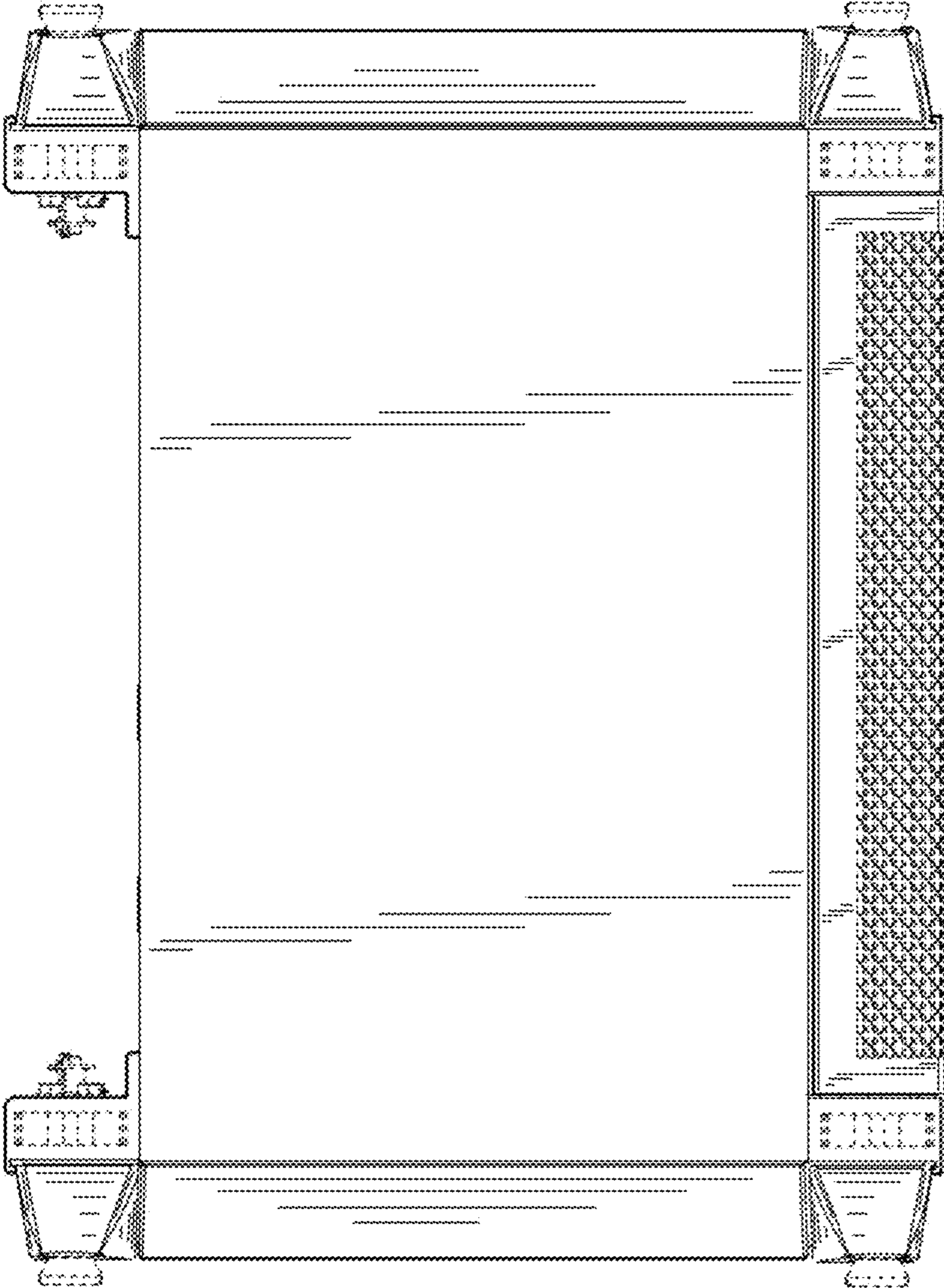


FIG. 6

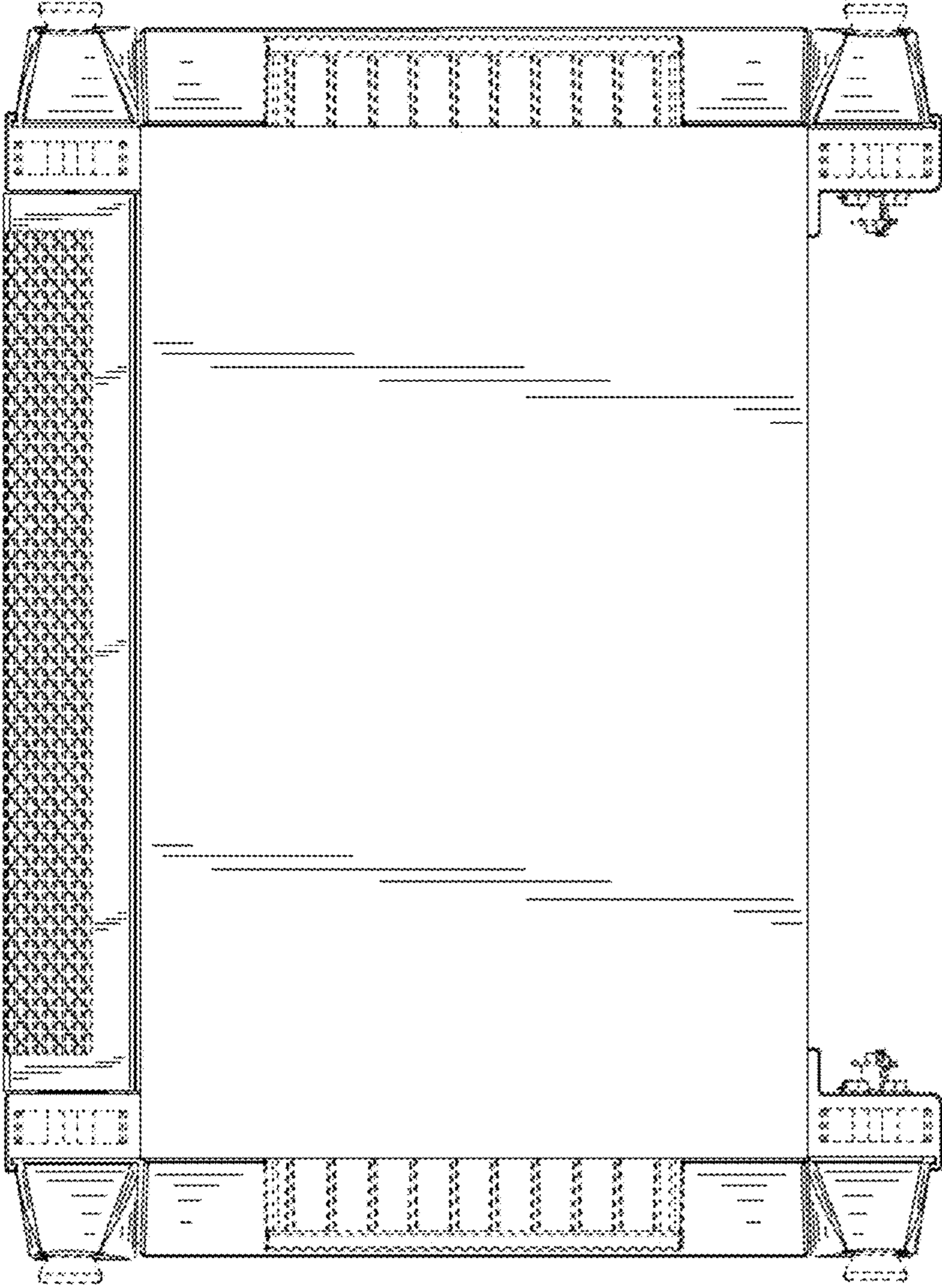


FIG. 7