



US00D752541S

(12) **United States Design Patent**
Holzer

(10) **Patent No.:** **US D752,541 S**
(45) **Date of Patent:** **** Mar. 29, 2016**

(54) **PORTABLE BLUETOOTH STEREO SPEAKER**

(71) Applicant: **Eric Holzer**, Piscataway, NJ (US)

(72) Inventor: **Eric Holzer**, Piscataway, NJ (US)

(73) Assignee: **SDI TECHNOLOGIES, INC.**, Rahway, NJ (US)

(**) Term: **14 Years**

(21) Appl. No.: **29/494,338**

(22) Filed: **Jun. 19, 2014**

(51) **LOC (10) Cl.** **14-01**

(52) **U.S. Cl.**
USPC **D14/204**

(58) **Field of Classification Search**

USPC D3/20, 200, 201, 273; D7/601-603,
D7/615, 629, 630; D9/414, 423, 432;
D14/203.1, 204, 210, 212, 214, 221,
D14/222, 314, 348, 365; 181/143, 144, 147,
181/148, 150, 153, 157, 198, 199;
381/300-302, 336, 345, 361-364,
381/386-388; 369/6-11

CPC H04R 1/02; H04R 1/021; H04R 1/023;
H04R 5/00; H04R 9/06; H04R 2420/07

See application file for complete search history.

(56) **References Cited**

U.S. PATENT DOCUMENTS

D301,476 S * 6/1989 Scianna et al. D14/188
D351,595 S * 10/1994 Furui D14/506

D452,966 S * 1/2002 Sogabe D14/258
D504,314 S * 4/2005 Kim D9/416
D617,313 S * 6/2010 Iseki D14/214
D660,285 S * 5/2012 Lee et al. D14/214
D678,244 S * 3/2013 Behar et al. D14/214
D678,246 S * 3/2013 Davies et al. D14/215

* cited by examiner

Primary Examiner — Derrick Holland

Assistant Examiner — Janice Lim

(74) *Attorney, Agent, or Firm* — Ostrolenk Faber LLP

(57) **CLAIM**

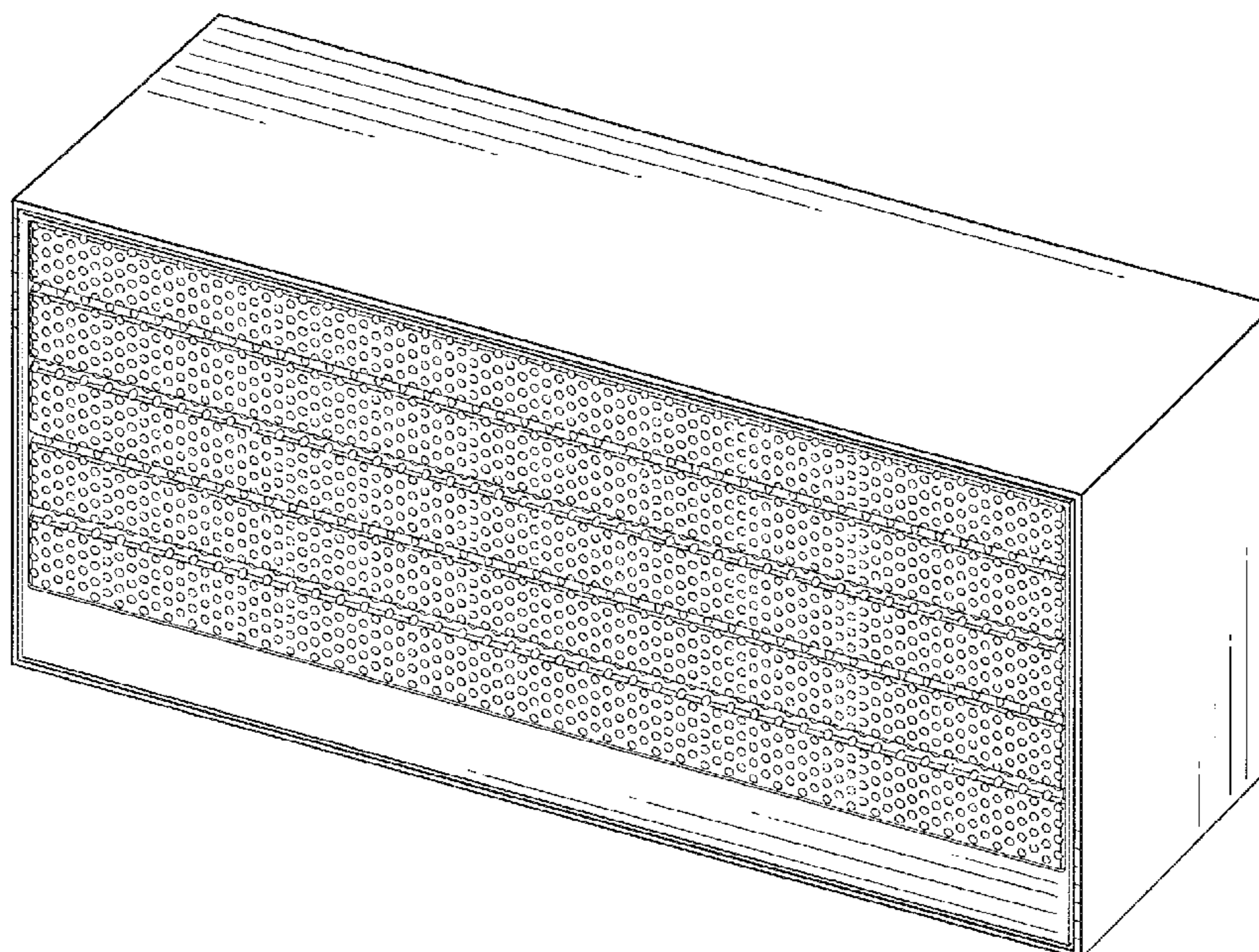
The ornamental design for a portable bluetooth stereo speaker, as shown and described.

DESCRIPTION

FIG. 1 is a top, front, perspective view of a portable bluetooth stereo speaker showing my new design;
FIG. 2 is a front view thereof;
FIG. 3 is a rear view thereof;
FIG. 4 is a top plan view thereof;
FIG. 5 is a bottom plan view thereof;
FIG. 6 is a side view thereof, and the opposite side view being a mirror image thereof; and,
FIG. 7 is a cross-sectional view thereof taken along the line 7-7 of FIG. 2.

The broken lines portions of FIG. 7 are included to show unclaimed subject matter only and form no part of the claimed design.

1 Claim, 7 Drawing Sheets



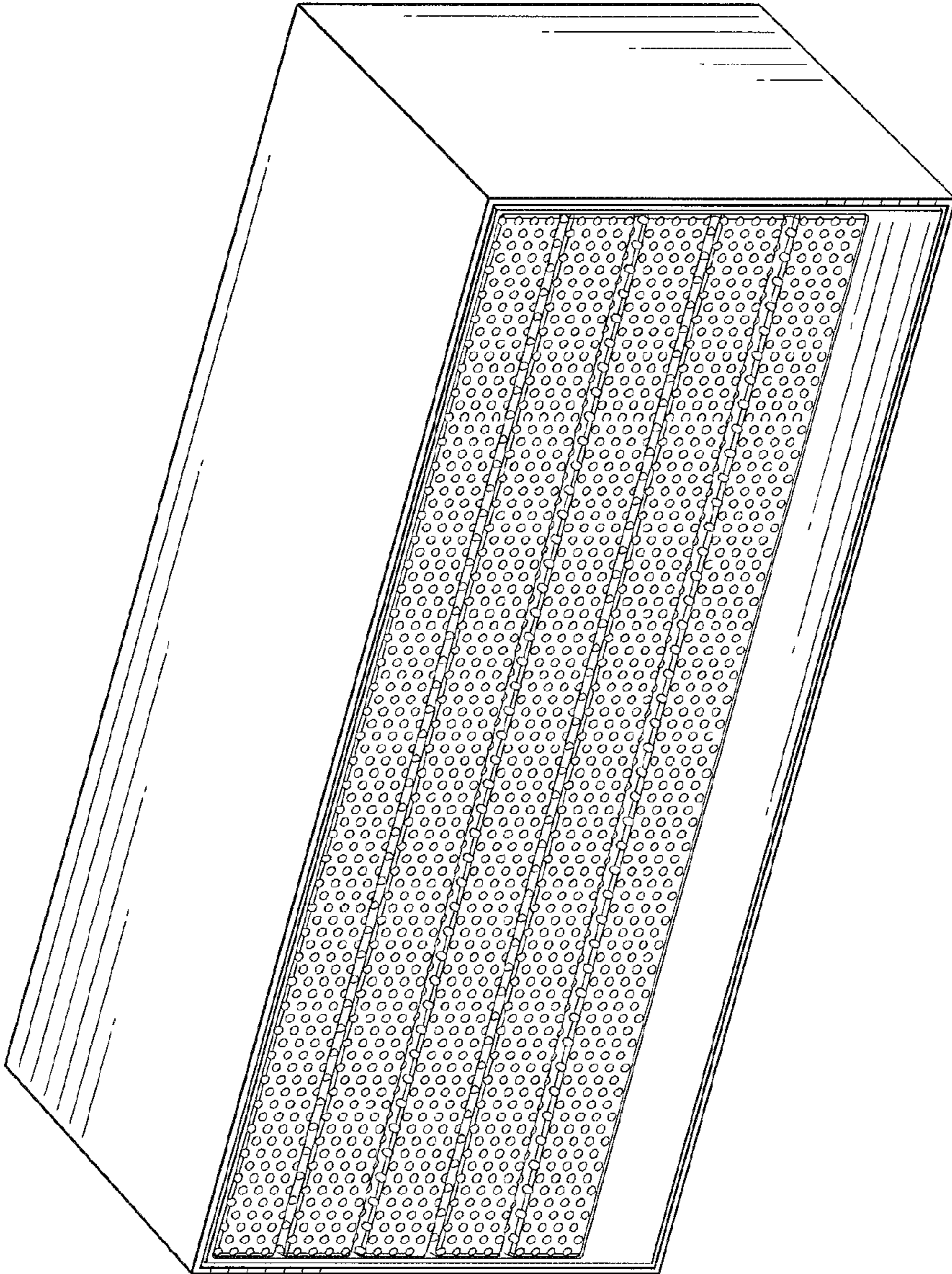


FIG.1

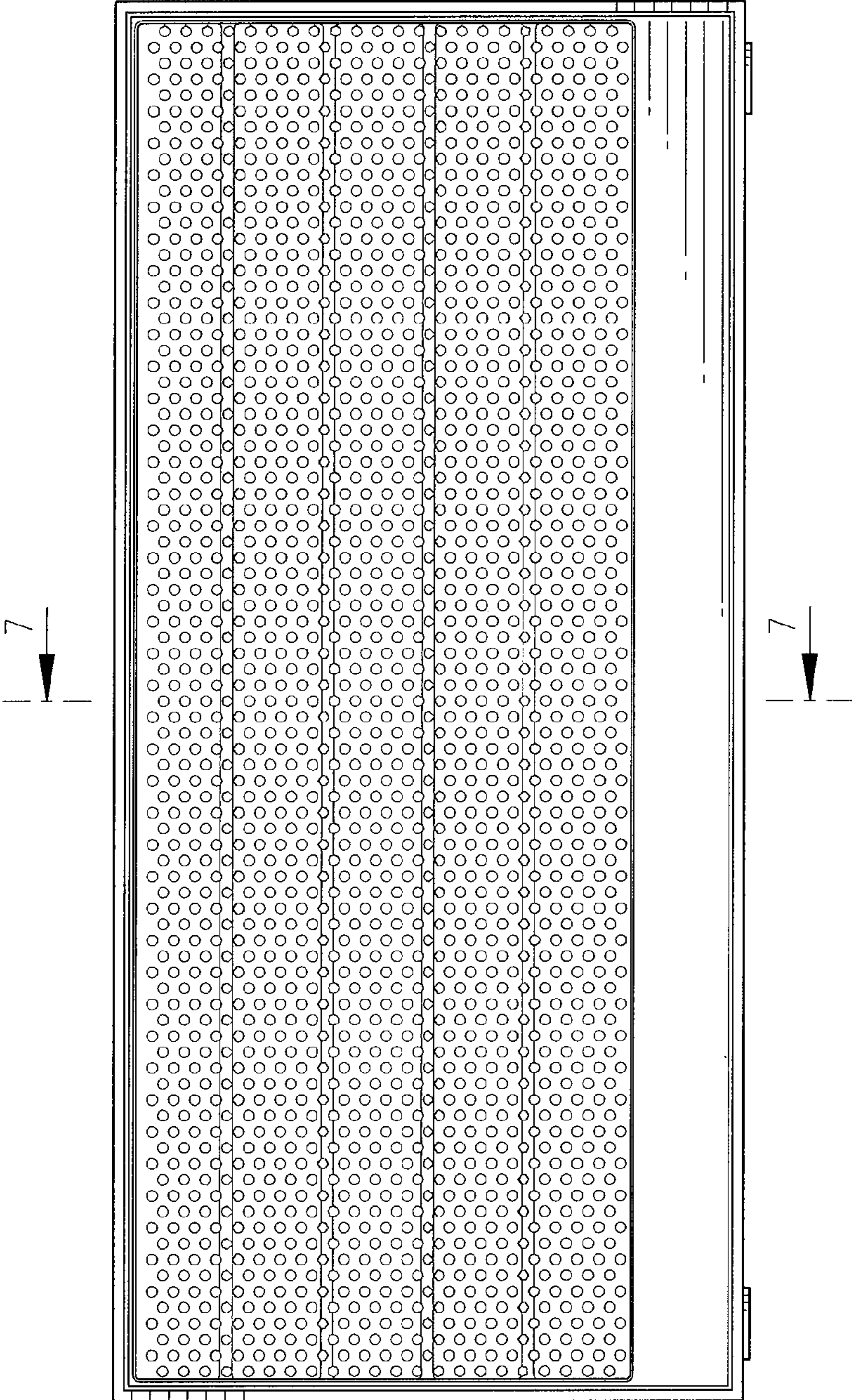


FIG. 2

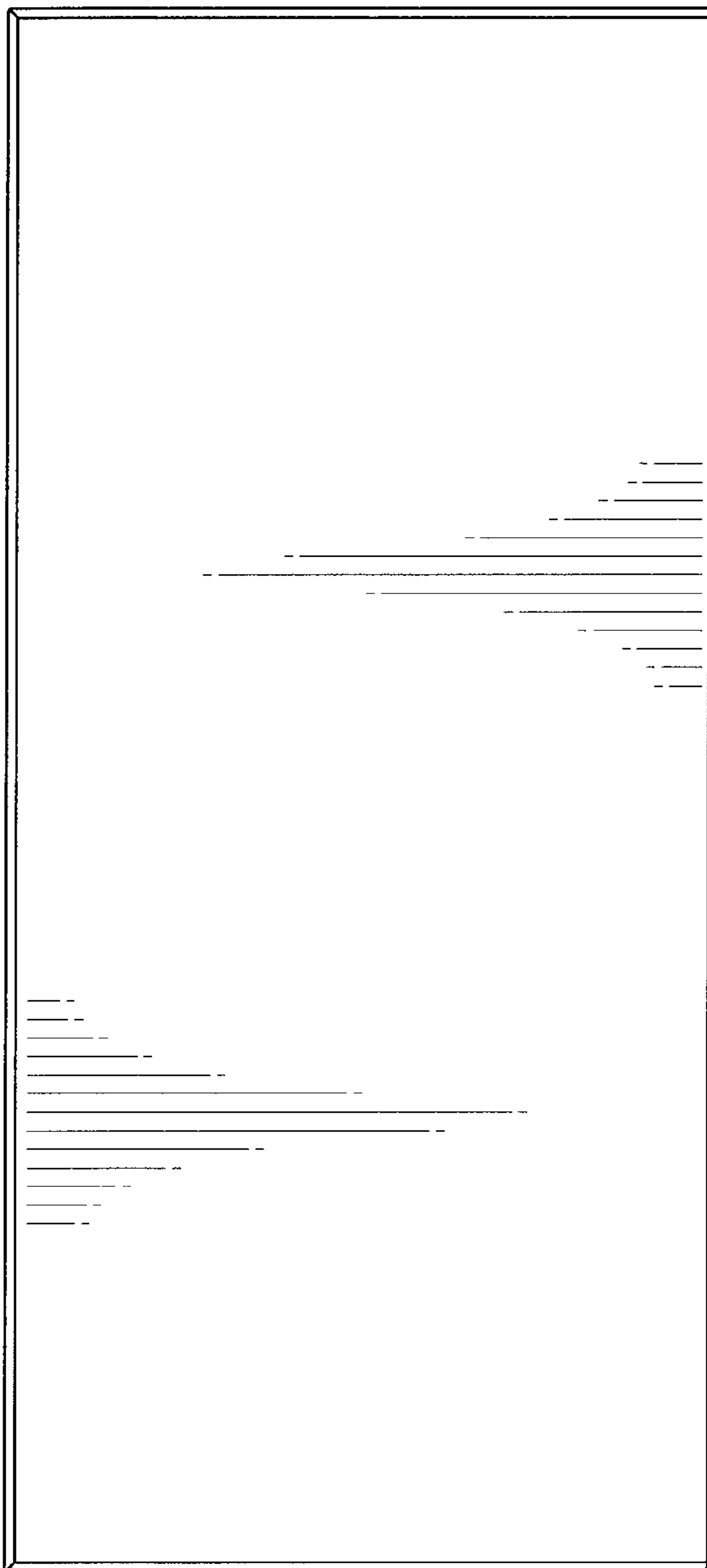


FIG. 3

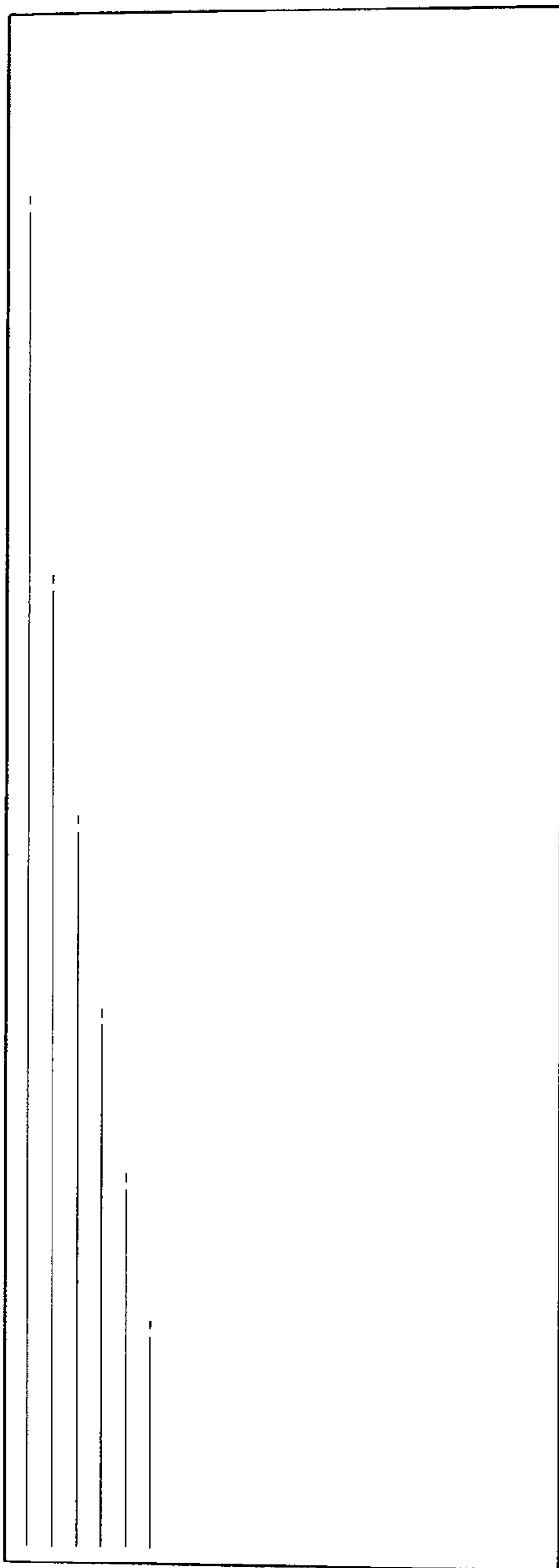


FIG. 4

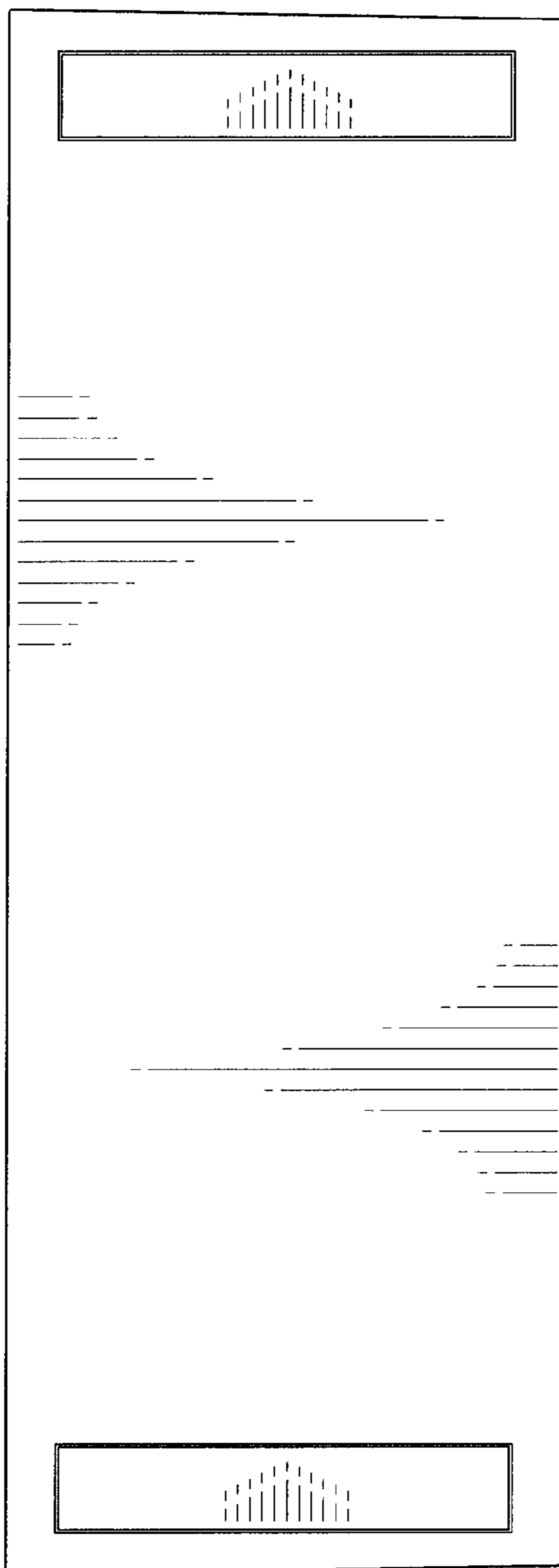


FIG. 5

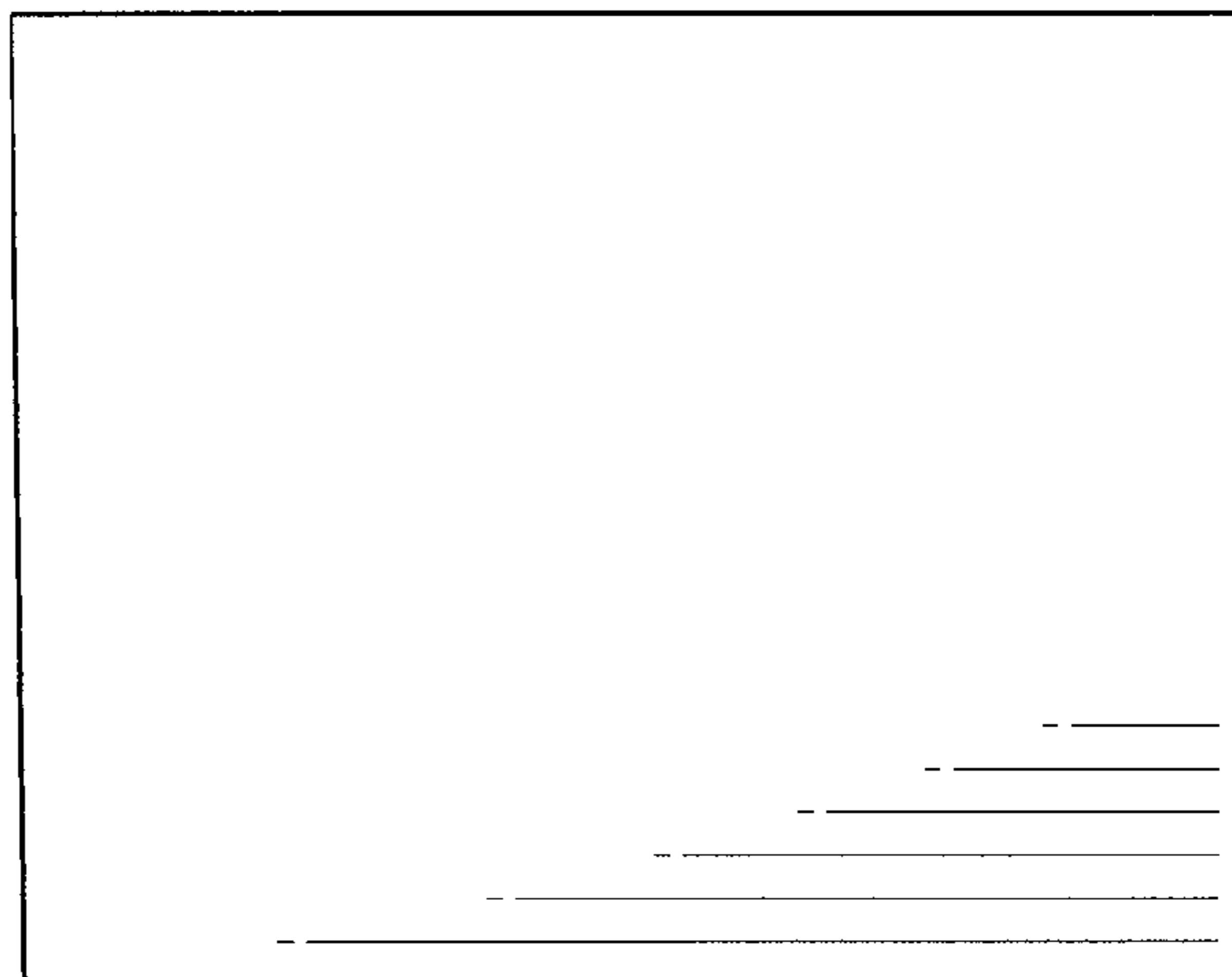


FIG. 6

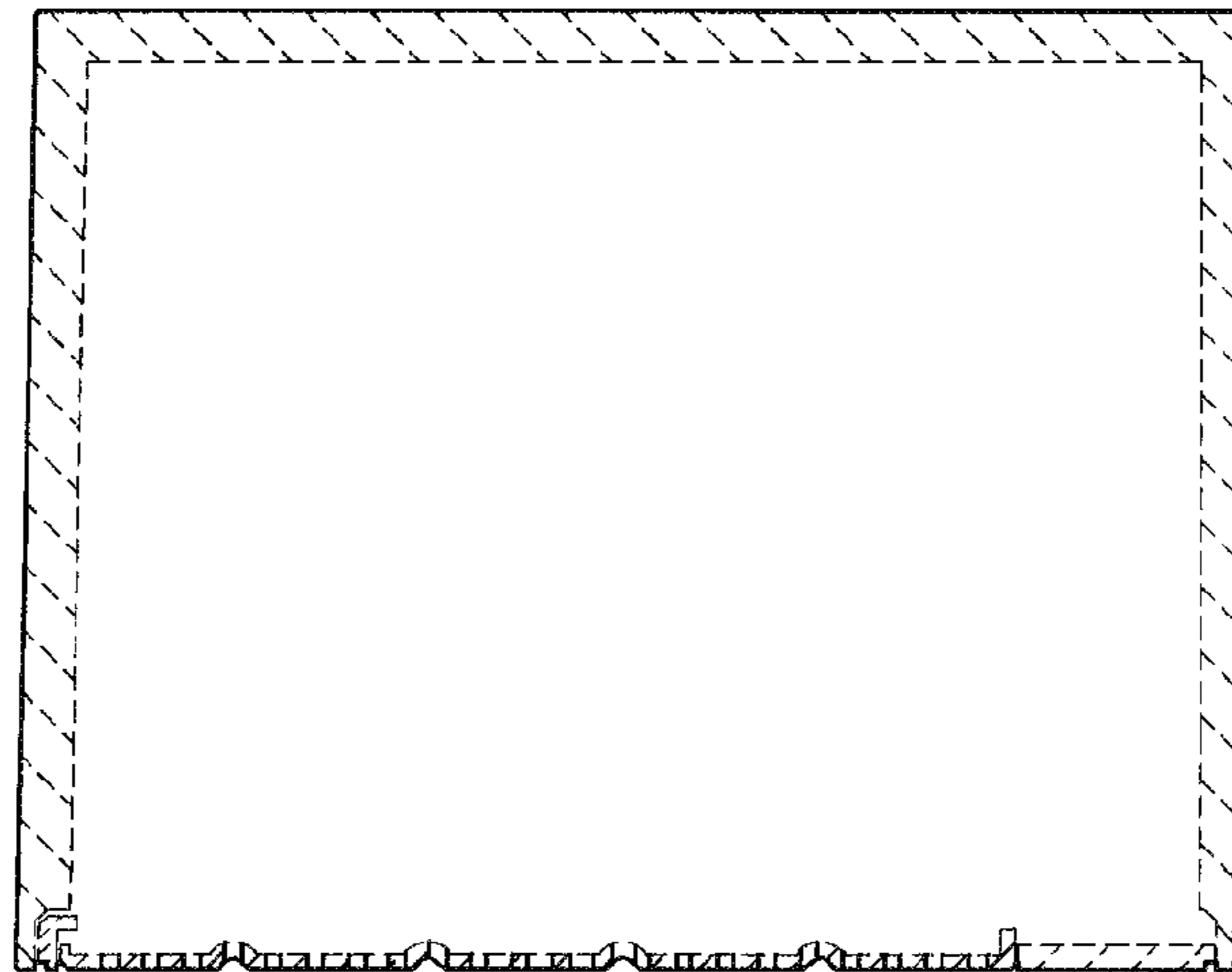


FIG. 7