



US00D752537S

(12) **United States Design Patent**  
**Oikawa et al.**

(10) **Patent No.:** **US D752,537 S**  
(45) **Date of Patent:** **\*\* Mar. 29, 2016**

(54) **COMMUNICATION DEVICE**

(71) Applicant: **JVC KENWOOD Corporation**,  
Yokohama-shi, Kanagawa (JP)

(72) Inventors: **Miki Oikawa**, Yokohama (JP); **Yu Sakata**, Yokohama (JP); **Katsuhiro Moriya**, Yokohama (JP)

(73) Assignee: **JVC KENWOOD CORPORATION**,  
Yokohama-Shi, Kanagawa (JP)

(\*\*) Term: **14 Years**

(21) Appl. No.: **29/494,848**

(22) Filed: **Jun. 25, 2014**

(30) **Foreign Application Priority Data**

Mar. 12, 2014 (JP) ..... 2014-005163

(51) **LOC (10) Cl.** ..... **14-03**

(52) **U.S. Cl.**  
USPC ..... **D14/137**

(58) **Field of Classification Search**  
USPC ..... D14/137, 198, 125; 455/572, 90.2  
CPC ... H04B 1/3833; H04M 1/0262; H04M 1/236  
See application file for complete search history.

(56) **References Cited**

**U.S. PATENT DOCUMENTS**

3,345,568	A	*	10/1967	Errichiello	.....	H04B 1/3833	312/7.1
D245,079	S	*	7/1977	Judd	.....	D14/137	
D302,687	S	*	8/1989	Claxton	.....	D14/137	
D309,136	S	*	7/1990	Siddoway	.....	D14/137	
D380,749	S	*	7/1997	Richards	.....	D14/137	
D383,133	S	*	9/1997	Imazeki	.....	D14/198	
D384,345	S	*	9/1997	Lindeman	.....	D14/137	
5,752,205	A	*	5/1998	Dzung	.....	H04M 1/0262	455/572
D399,504	S	*	10/1998	Lindeman	.....	D14/137	
D406,833	S	*	3/1999	Page	.....	D14/137	

D408,811	S	*	4/1999	Page	.....	D14/137
D441,743	S	*	5/2001	Uehara	.....	D14/125
D456,790	S	*	5/2002	Cebe	.....	D14/137
D490,786	S	*	6/2004	Richards	.....	D14/137
D540,290	S	*	4/2007	Haase	.....	D14/137
D576,124	S	*	9/2008	Nishizawa	.....	D14/137

(Continued)

**FOREIGN PATENT DOCUMENTS**

CA	50221	*	9/1982
CN	302054245	*	8/2012
GB	1040357	*	8/1987

**OTHER PUBLICATIONS**

SAI Taps DAPage to Bridge Communication Between Synergy;  
Announced Oct. 9, 2015 [http://www.hotelonline.com/News/PR2012\\_4th/Oct12\\_SAIDAPage.html](http://www.hotelonline.com/News/PR2012_4th/Oct12_SAIDAPage.html).\*

*Primary Examiner* — John Windmuller

*Assistant Examiner* — Luqman McNeil

(74) *Attorney, Agent, or Firm* — Nath, Goldberg & Meyer;  
Jerald L. Meyer

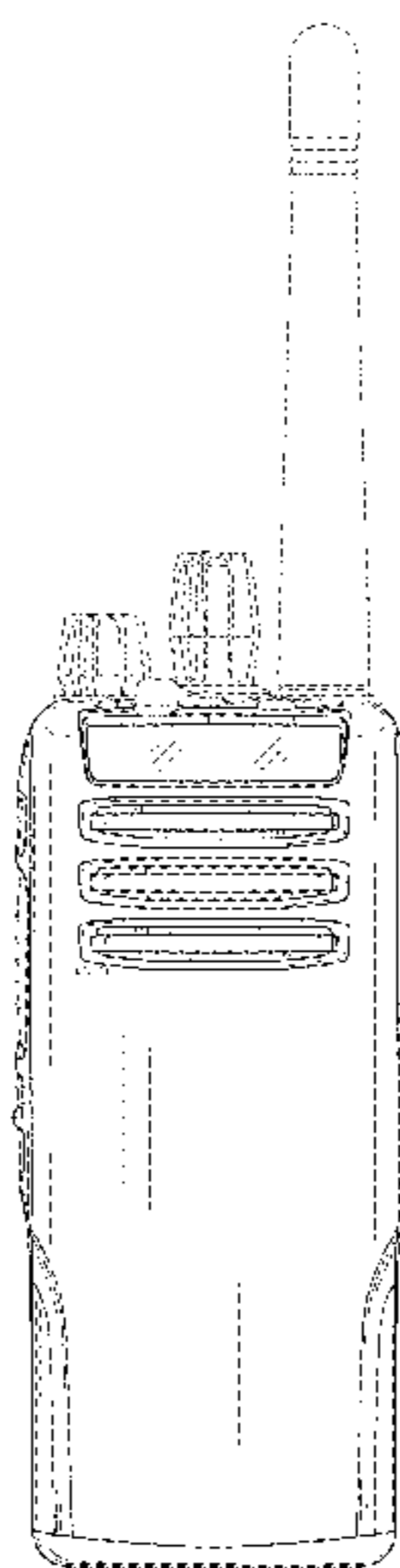
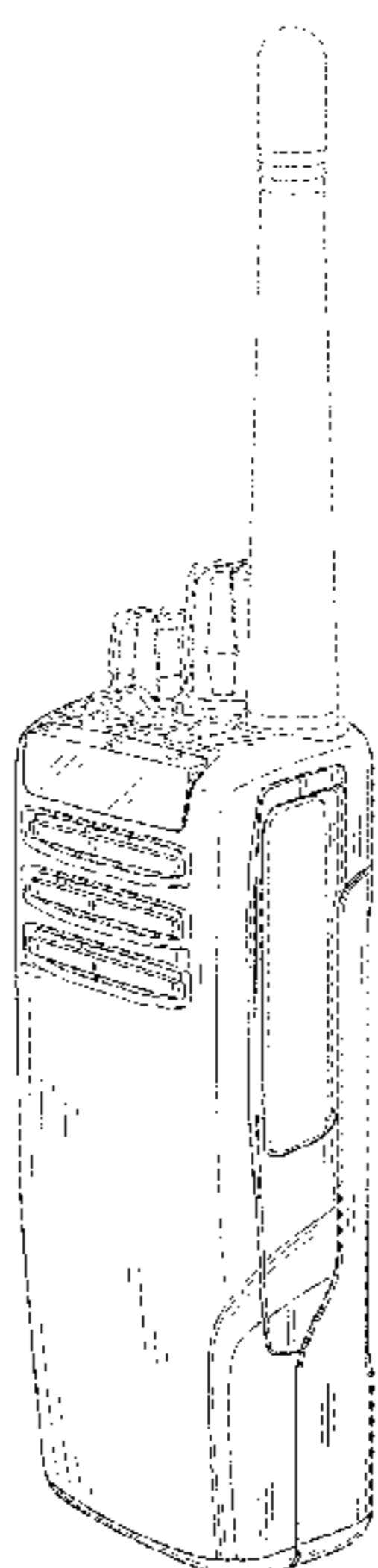
(57) **CLAIM**

The ornamental design for a portion of communication device, as shown and described.

**DESCRIPTION**

FIG. 1 is a perspective view of a communication device showing our new design;  
FIG. 2 is a front view thereof;  
FIG. 3 is a rear view thereof;  
FIG. 4 is a top plan view thereof;  
FIG. 5 is a bottom plan view thereof;  
FIG. 6 is a right side view thereof; and,  
FIG. 7 is a left side view thereof.  
The broken lines are included for the purpose of illustrating portions of the communication device that form no part of the claimed design.

**1 Claim, 6 Drawing Sheets**



(56)

**References Cited**

U.S. PATENT DOCUMENTS

D605,616 S *	12/2009	Scott	.....	D14/137	D653,637 S *	2/2012	Ismail	.....	D14/137
D608,747 S *	1/2010	Nakagawa	.....	D14/137	D654,035 S *	2/2012	Ismail	.....	D14/137
D616,845 S *	6/2010	Xia	.....	D14/137	D662,482 S *	6/2012	Kaner	.....	D14/137
D651,997 S *	1/2012	Oikawa	.....	D14/137	D663,277 S *	7/2012	Yong	.....	D14/137
					D670,258 S *	11/2012	Yamamoto	.....	D14/137
					2009/0197545 A1 *	8/2009	Gong	.....	H04M 1/236 455/90.2

\* cited by examiner

Fig. 1

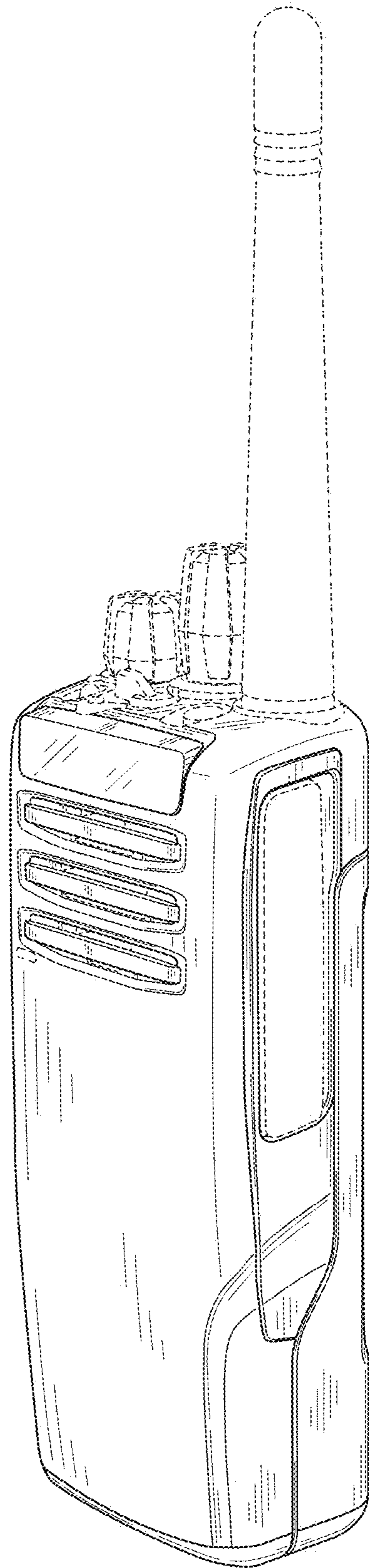


Fig.2

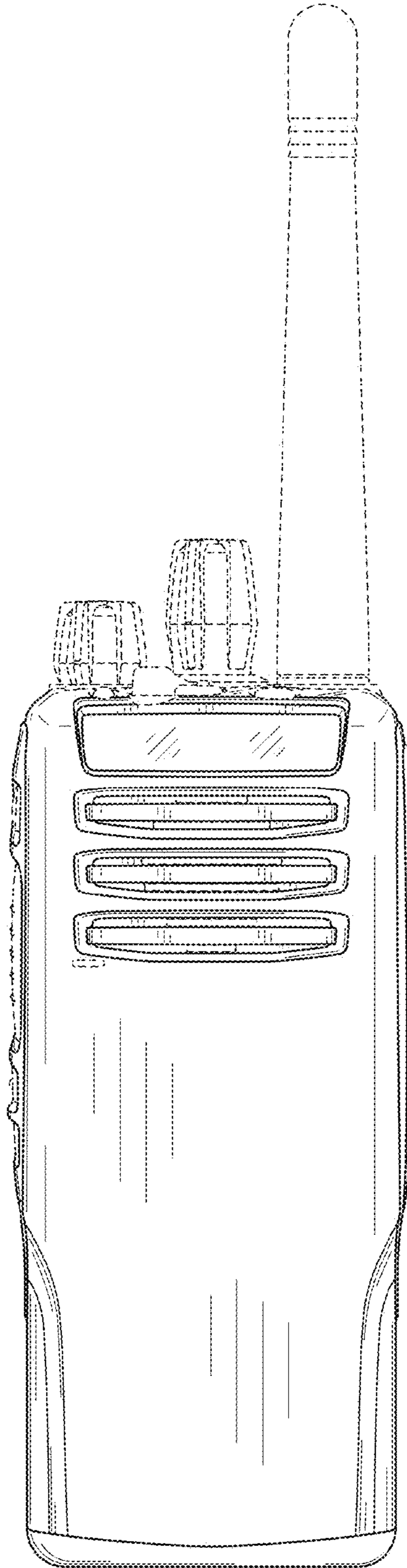


Fig.3

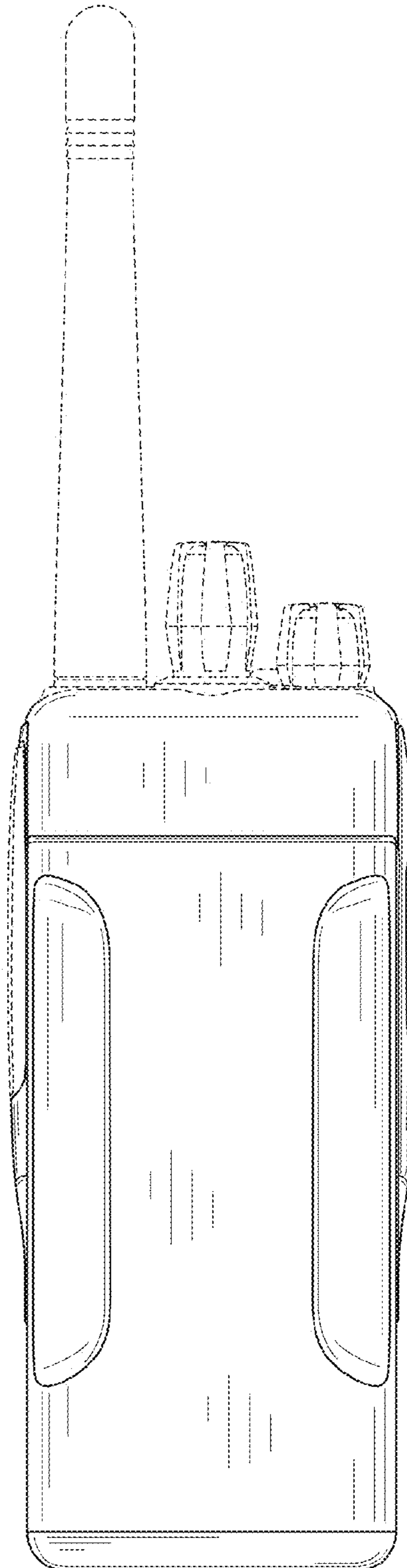


Fig.4

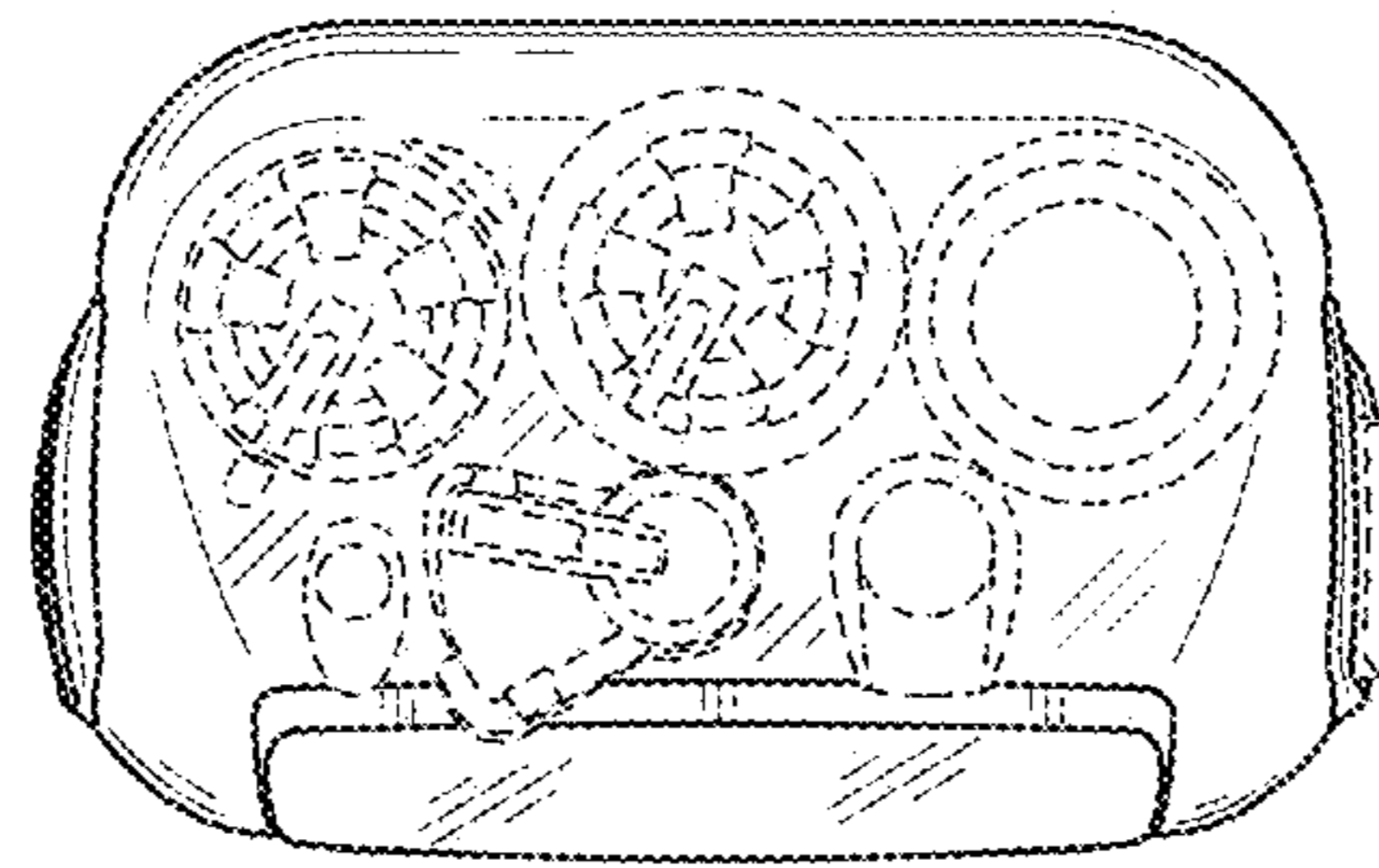


Fig.5

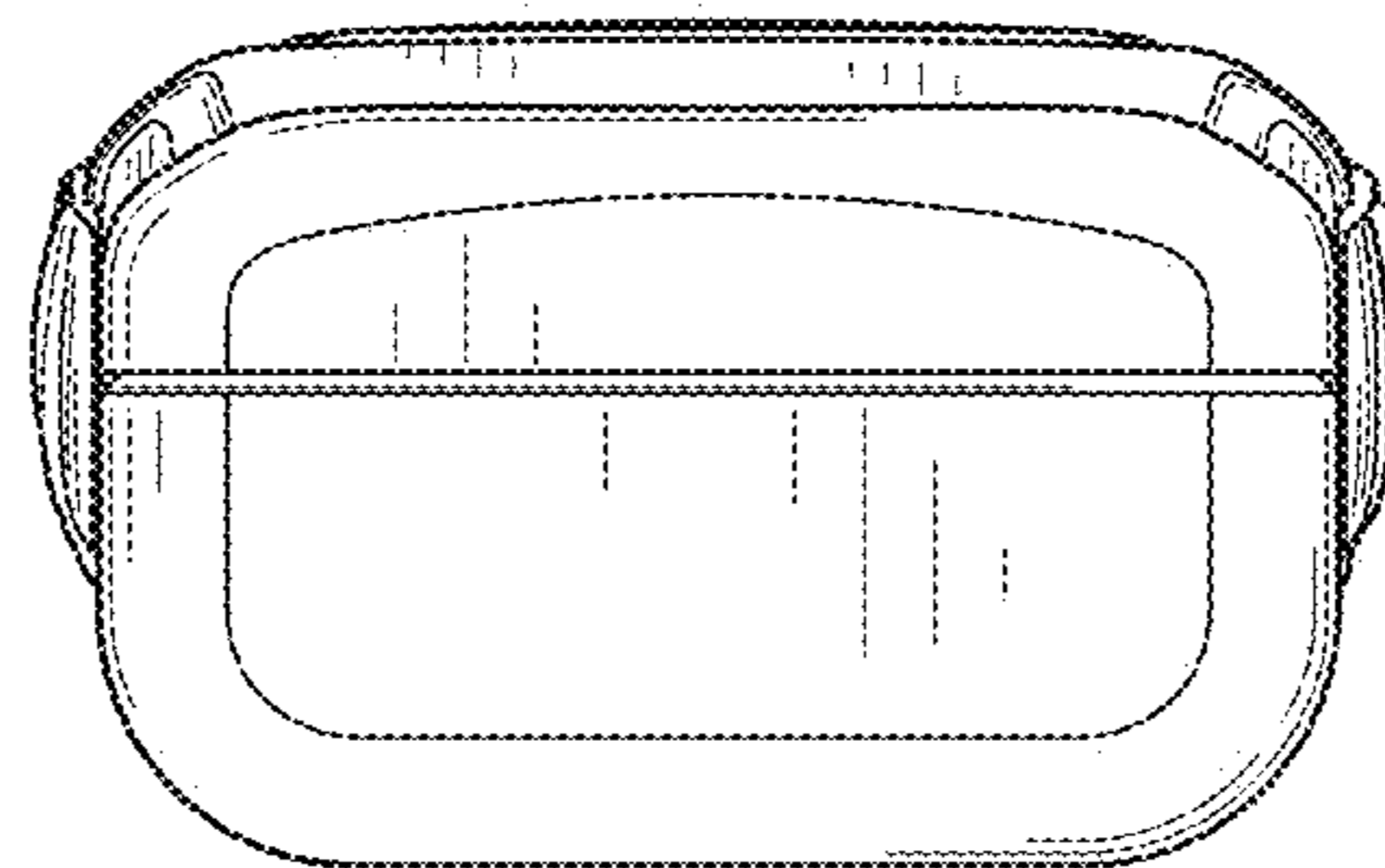




Fig.6

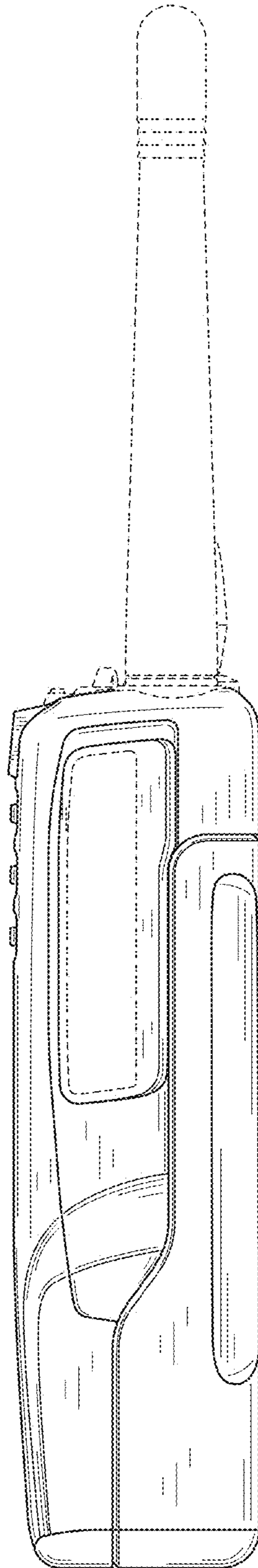


Fig. 7

