



US00D752536S

(12) **United States Design Patent**
Ooi et al.

(10) **Patent No.:** **US D752,536 S**
(45) **Date of Patent:** **** Mar. 29, 2016**

(54) **PORTABLE RADIO**

(71) Applicant: **MOTOROLA SOLUTIONS, INC.**,
Schaumburg, IL (US)

(72) Inventors: **Lee Sun Ooi**, Kulim (MY); **Lanting L. Garra**, Sunrise, FL (US); **Beng Kwang Tan**, Bayan Lepas (MY)

(73) Assignee: **MOTOROLA SOLUTIONS, INC.**,
Schaumburg, IL (US)

(**) Term: **14 Years**

(21) Appl. No.: **29/493,981**

(22) Filed: **Jun. 16, 2014**

(51) **LOC (10) Cl.** **14-03**

(52) **U.S. Cl.**
USPC **D14/137**

(58) **Field of Classification Search**
USPC D14/137, 125, 188; 312/7.1; 455/90.2,
455/90.3
CPC H04B 1/3833; H04M 1/236; H01R 43/24;
G06F 3/0338
See application file for complete search history.

(56) **References Cited**

U.S. PATENT DOCUMENTS

3,345,568	A	*	10/1967	Errichiello	H04B 1/3833 312/7.1
D245,079	S	*	7/1977	Judd	D14/137
D302,687	S	*	8/1989	Claxton	D14/137
D309,136	S	*	7/1990	Siddoway	D14/137
D384,345	S	*	9/1997	Lindeman	D14/137
D406,833	S	*	3/1999	Page	D14/137
D408,811	S	*	4/1999	Page	D14/137
D441,743	S	*	5/2001	Uehara	D14/125
D483,348	S	*	12/2003	Nishii	D14/188
D490,786	S	*	6/2004	Richards	D14/137
D526,993	S	*	8/2006	Richards	D14/188
D540,290	S	*	4/2007	Haase	D14/137
D608,747	S	*	1/2010	Nakagawa	D14/137
D616,845	S	*	6/2010	Xia	D14/137

D645,009	S	*	9/2011	Kaminsky	D14/137
D651,997	S	*	1/2012	Oikawa	D14/137
D653,225	S	*	1/2012	Yong	D14/137
D653,637	S	*	2/2012	Ismail	D14/137
D654,035	S	*	2/2012	Ismail	D14/137
D662,482	S	*	6/2012	Kaner	D14/137

(Continued)

FOREIGN PATENT DOCUMENTS

CN	302030411	*	11/2011
CN	302054245	*	8/2012

OTHER PUBLICATIONS

Made in HF Radio Transceiver Mini Walkie Talkie, announced Jan. 13, 2013, [Site Visited Oct. 29, 2015].*

(Continued)

Primary Examiner — John Windmuller

Assistant Examiner — Luqman McNeil

(74) *Attorney, Agent, or Firm* — Barbara R. Doutre

(57) **CLAIM**

The ornamental design for a portable radio, as shown and described.

DESCRIPTION

FIG. 1 is a front perspective view of an ornamental design for a portable radio;

FIG. 2 is a rear perspective view thereof;

FIG. 3 is a front view thereof;

FIG. 4 is a rear view thereof;

FIG. 5 is a first side view thereof;

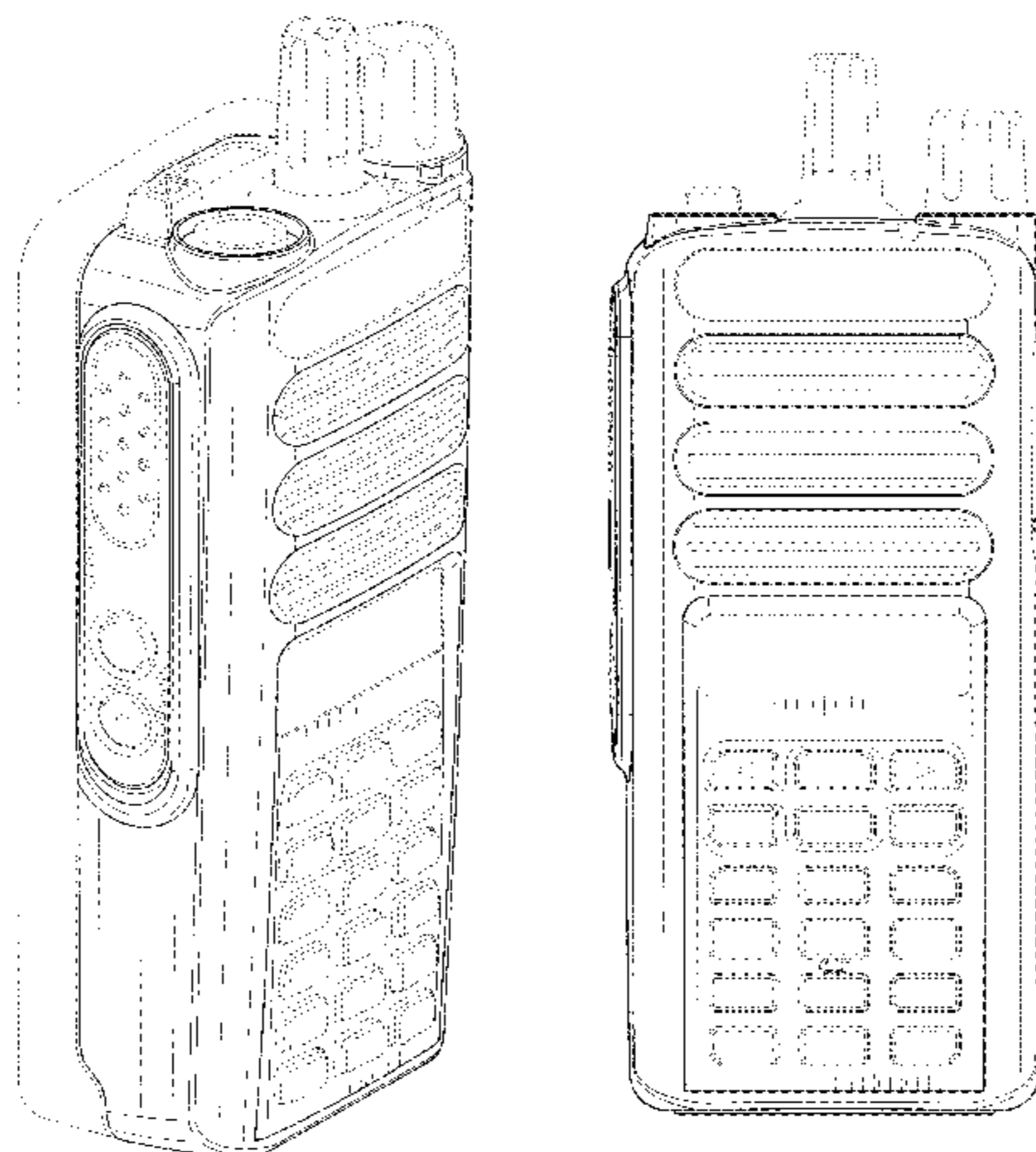
FIG. 6 is a second side view thereof;

FIG. 7 is a top view thereof; and,

FIG. 8 is a bottom view thereof.

The broken lines and unshaded portions contained within broken lines are included for the purpose of illustrating portions of the portable radio that form no part of the claimed design.

1 Claim, 6 Drawing Sheets



(56)

References Cited

U.S. PATENT DOCUMENTS

D662,483 S * 6/2012 Kaner D14/137
D663,277 S * 7/2012 Yong D14/137
2009/0197545 A1* 8/2009 Gong H04M 1/236
455/90.2
2010/0330935 A1* 12/2010 Maggert H01R 43/24
455/90.3
2011/0281533 A1* 11/2011 Deleus G06F 3/0338
455/90.2

OTHER PUBLICATIONS

Hot Online: SAI Taps DAPage to Bridge Communication Between
SynergyMMS and Two-Way Radios. announced Oct. 9, 2012, [Site
Visited Oct. 29, 2015].*

* cited by examiner

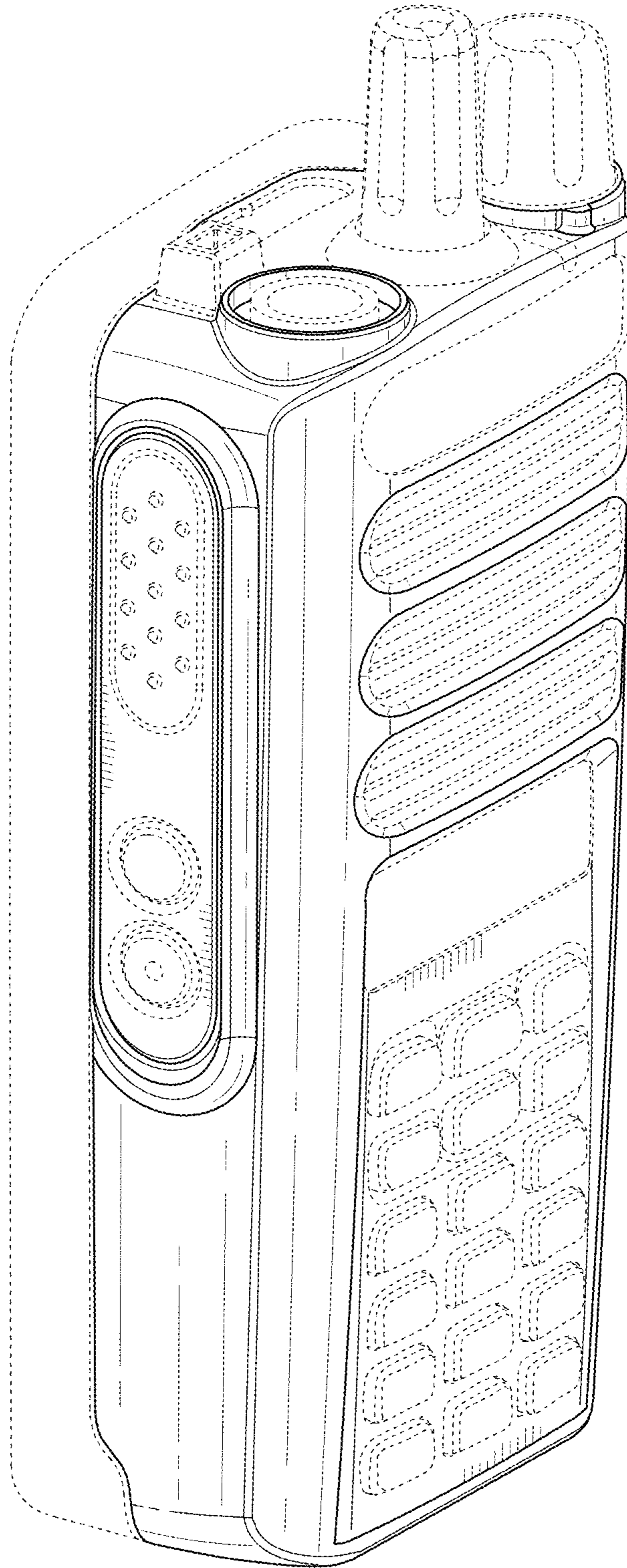


FIG. 1

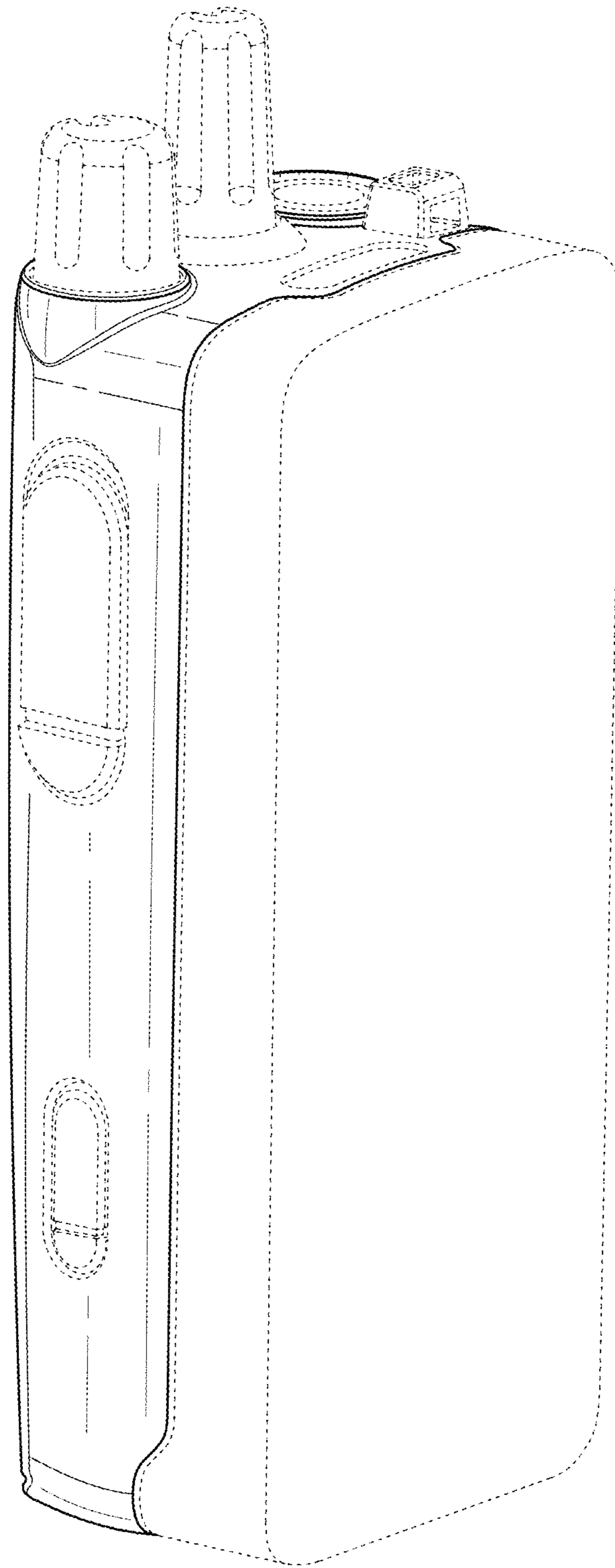


FIG. 2

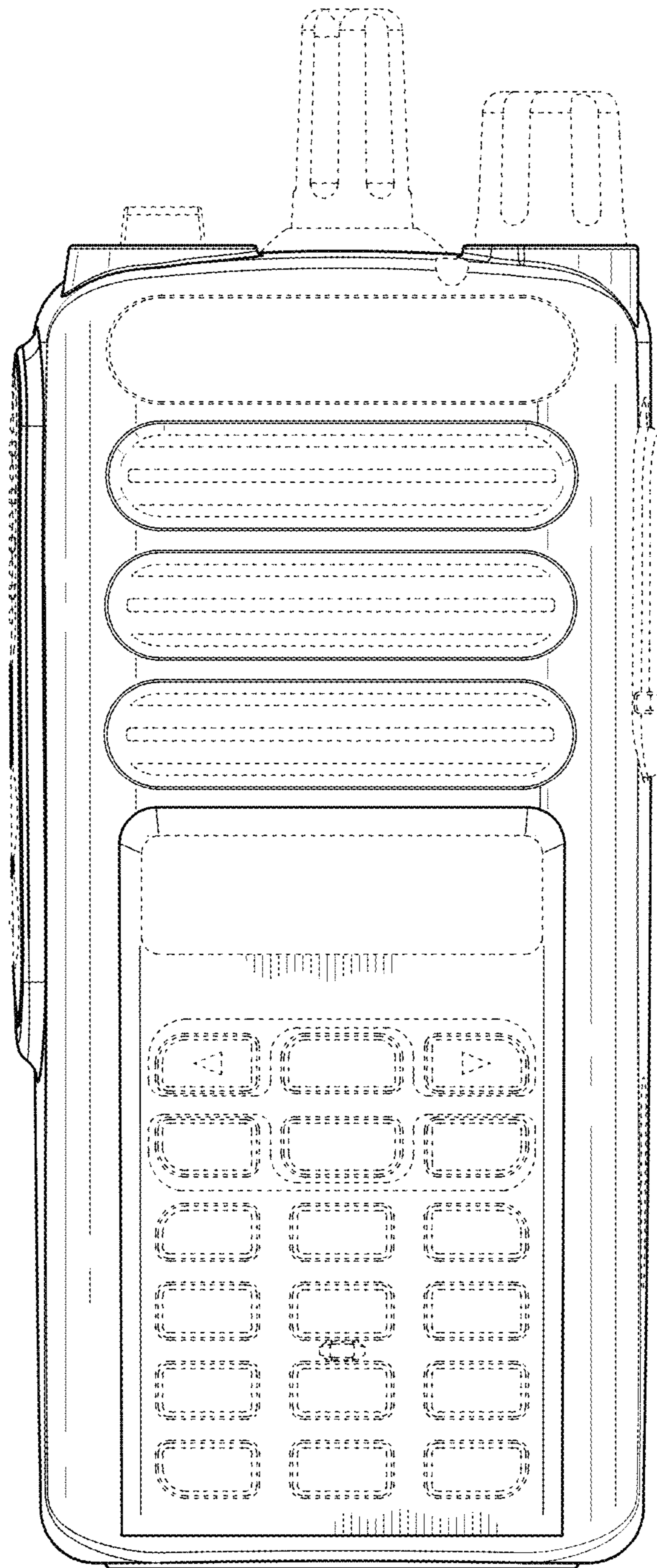


FIG. 3

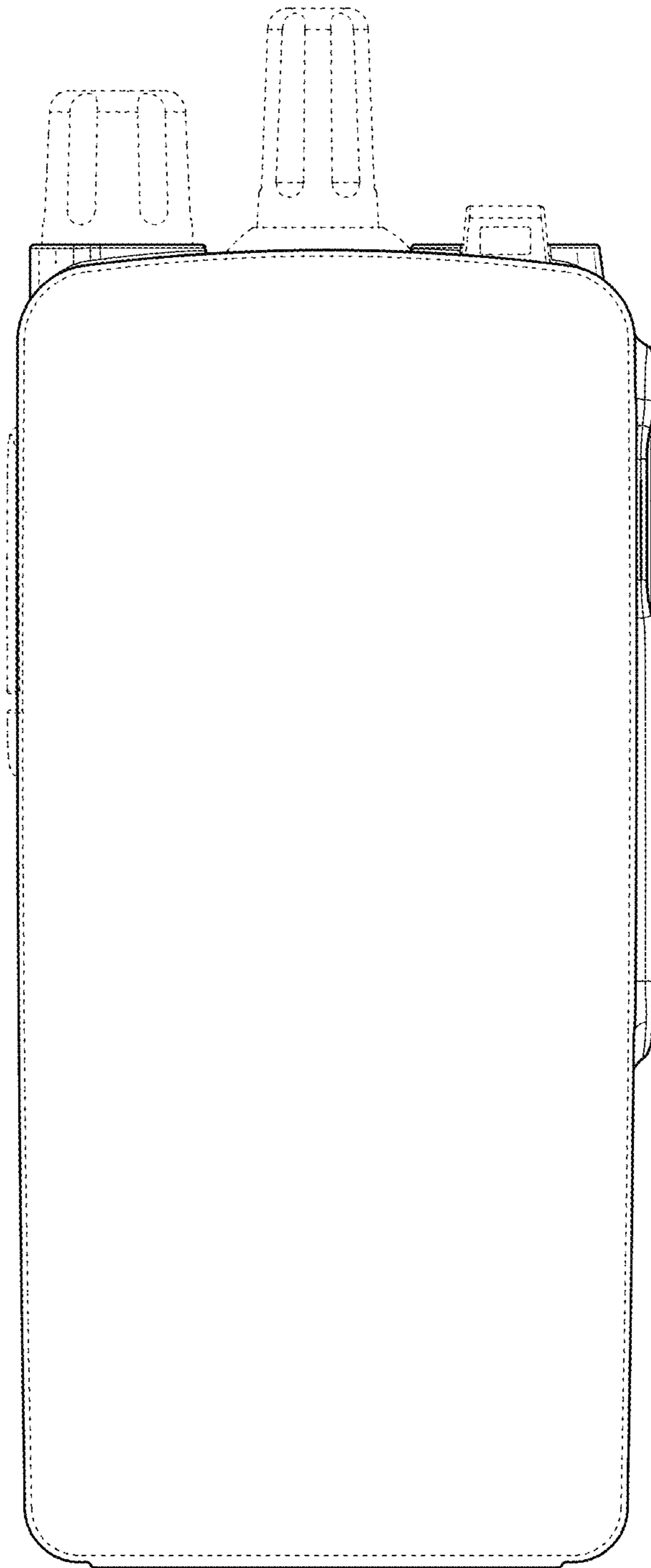


FIG. 4

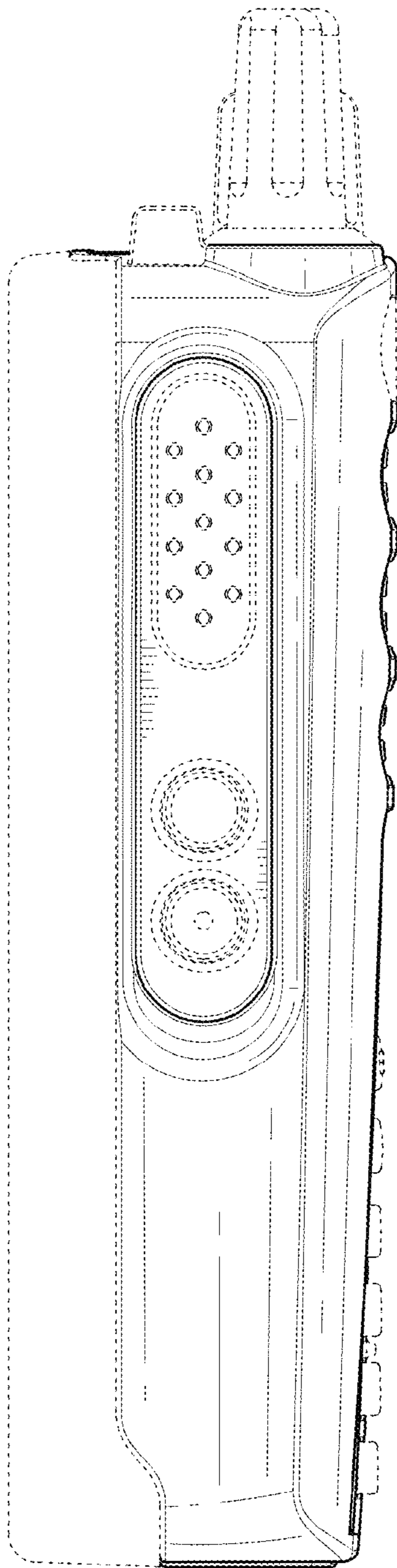


FIG. 5

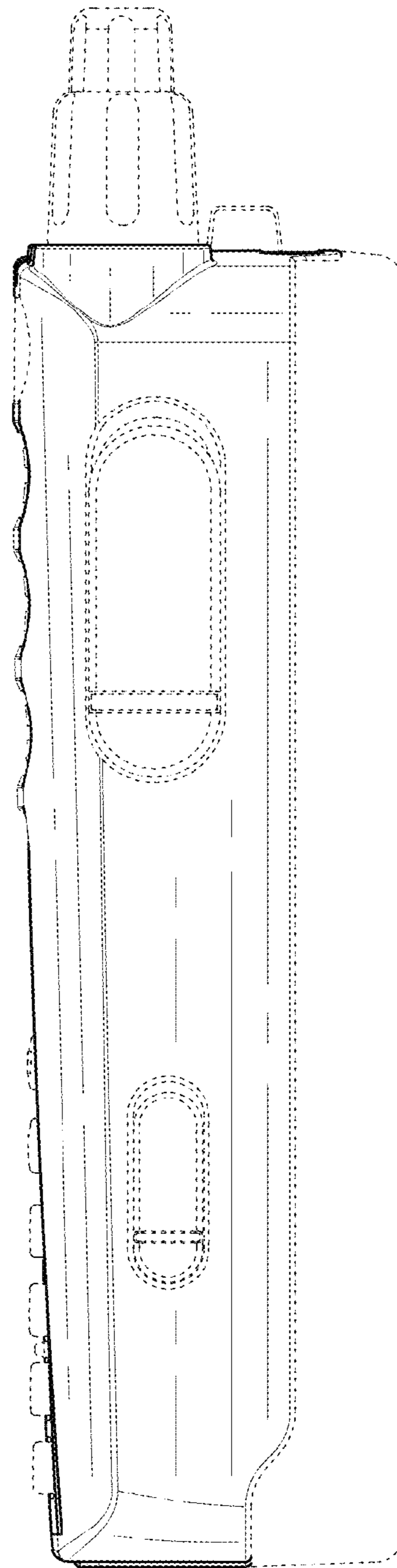


FIG. 6

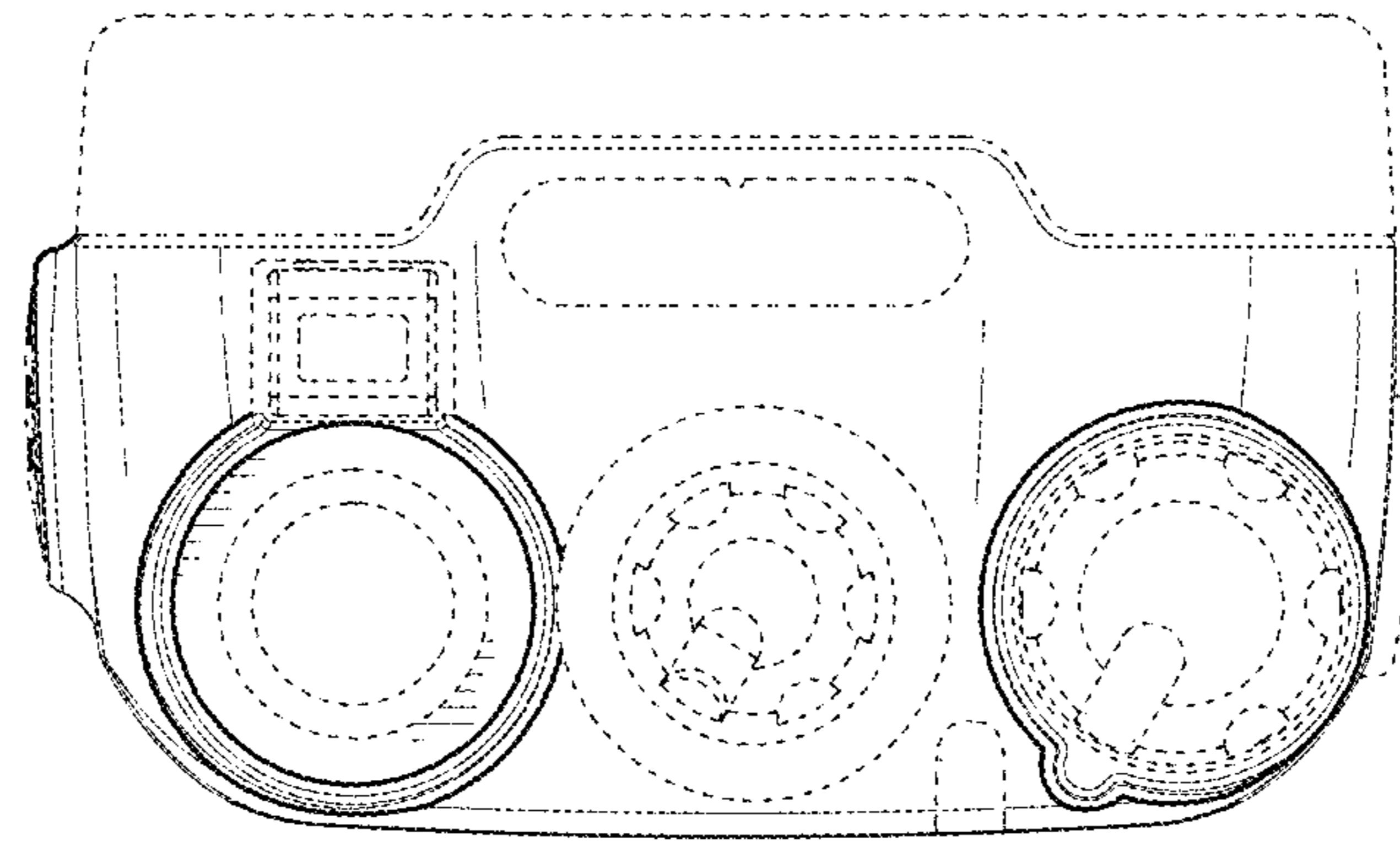


FIG. 7

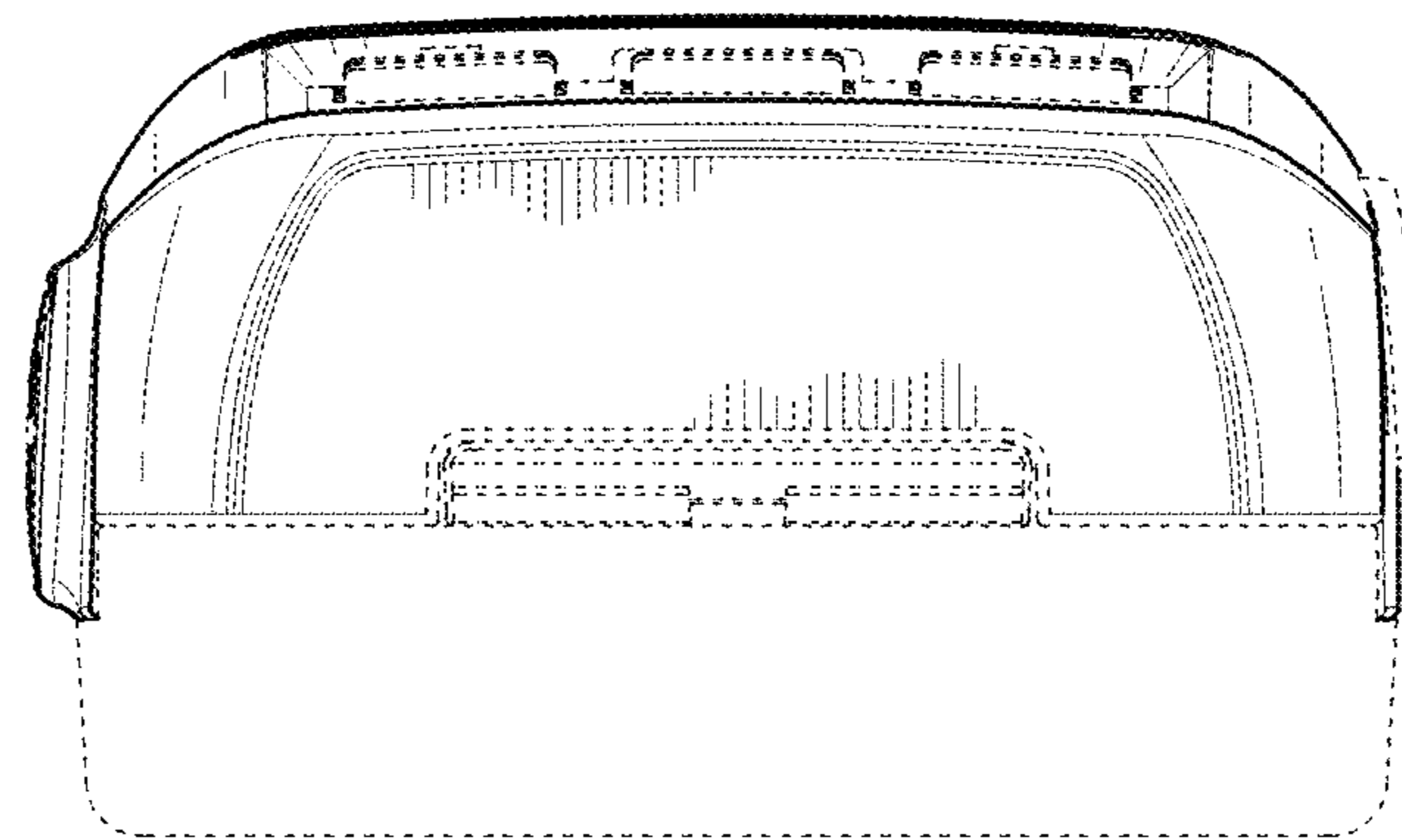


FIG. 8