



US00D752530S

(12) **United States Design Patent**  
**Locke et al.**

(10) **Patent No.:** **US D752,530 S**  
(45) **Date of Patent:** **\*\* Mar. 29, 2016**

(54) **VIDEO FADER HANDLE**

(56) **References Cited**

(71) Applicant: **ROSS VIDEO LIMITED**, Iroquois,  
Ontario (CA)

U.S. PATENT DOCUMENTS

(72) Inventors: **Donald Michael Douglas Locke**, Smith  
Falls (CA); **Trevor Charles May**,  
Ottawa (CA); **Seaho Song**, Kanata (CA);  
**David Allan Ross**, Nepean (CA); **Leslie**  
**Vincent O'Reilly**, Ottawa (CA)

D277,381	S	1/1985	Imazeki	
5,489,246	A *	2/1996	Moody et al.	477/96
6,082,286	A *	7/2000	Kovach et al.	116/28.1
D455,731	S *	4/2002	Mackie et al.	D14/217
D532,774	S *	11/2006	Dawson	D14/217
7,421,923	B2 *	9/2008	Kim	74/473.12
D584,282	S *	1/2009	Ishizaki et al.	D14/188
7,571,661	B2 *	8/2009	Blondeel et al.	74/473.1
D607,425	S *	1/2010	Asai	D14/125
D619,576	S *	7/2010	Kawano	D14/396
D636,244	S *	4/2011	Keller	D8/62
D680,086	S *	4/2013	Kaku	D14/125

(73) Assignee: **ROSS VIDEO LIMITED**, Ontario (CA)

(\*\*) Term: **14 Years**

\* cited by examiner

(21) Appl. No.: **29/498,501**

*Primary Examiner* — Randall Gholson

(22) Filed: **Aug. 5, 2014**

(74) *Attorney, Agent, or Firm* — Nixon Peabody LLP;  
Jeffrey L. Costellia

(51) **LOC (10) Cl.** ..... **14-03**

(57) **CLAIM**

(52) **U.S. Cl.**

The ornamental design for a video fader handle, as shown and described.

USPC ..... **D14/125**

**DESCRIPTION**

(58) **Field of Classification Search**

USPC ..... D14/125-134, 239, 371, 136, 374-377,  
D14/135, 492, 299, 356, 361-363, 365, 496,  
D14/156, 157, 160; 312/7.2, 208.1-223.2;  
348/836, 838, 180, 184, 325, 739, 10,  
348/460; 341/12; 248/917-924, 465,  
248/123.11; 345/104, 133, 156, 168, 87,  
345/173, 169; 349/1, 2, 11, 62; 720/605,  
720/669, 600, 655, 99, 197; 455/344-347;  
361/690-696; 369/75.1-77.2

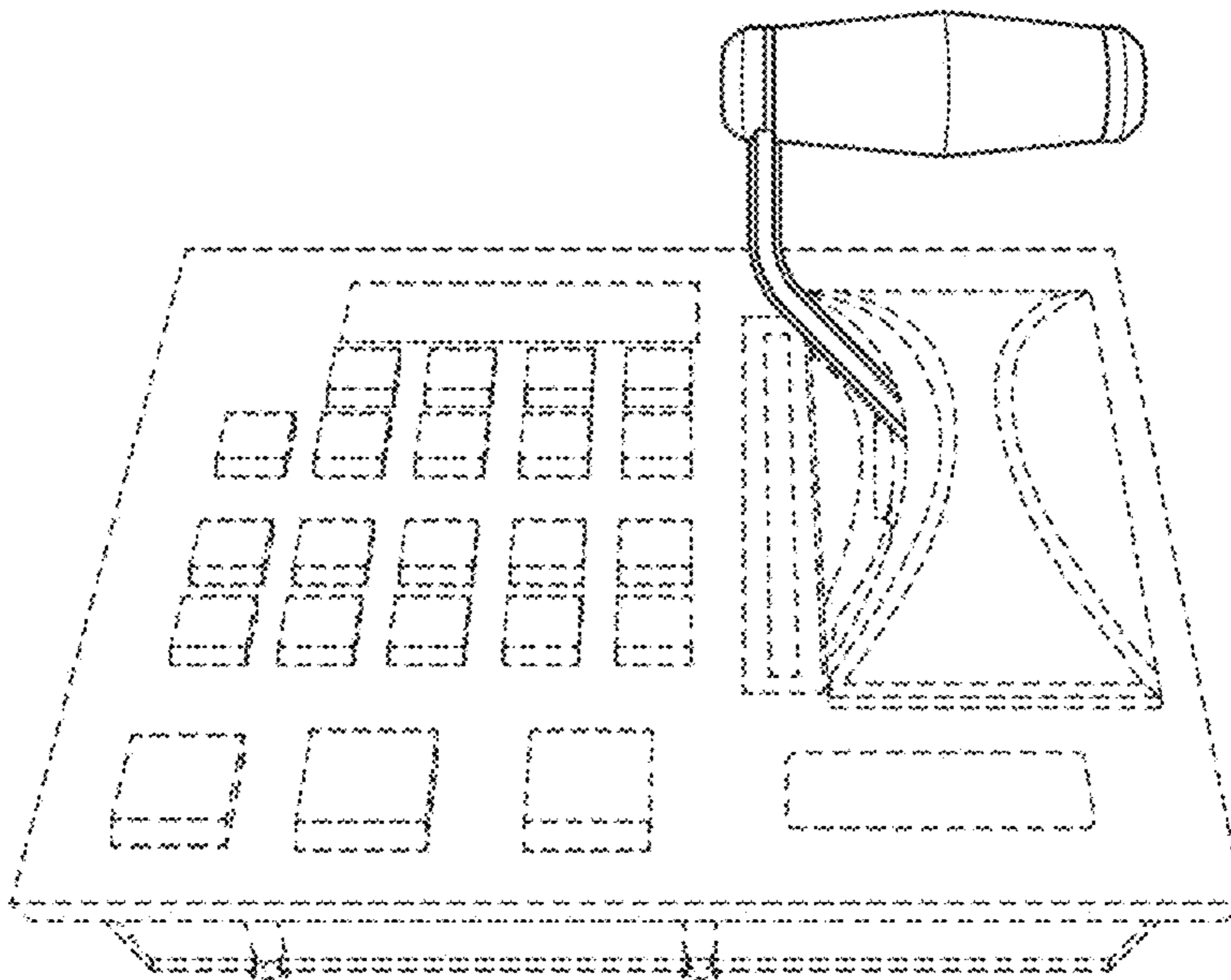
FIG. 1 is a front perspective view of a video fader handle showing our new design;  
FIG. 2 is a top view thereof;  
FIG. 3 is a front view thereof;  
FIG. 4 is a rear view thereof;  
FIG. 5 is a left side view thereof;  
FIG. 6 is a right side view thereof; and,  
FIG. 7 is a bottom view thereof.

CPC ..... G05G 1/06; H04N 5/262

The broken line showing of a fader system for the video fader handle is for the purpose of illustrating environmental structure and forms no part of the claimed design.

See application file for complete search history.

**1 Claim, 4 Drawing Sheets**



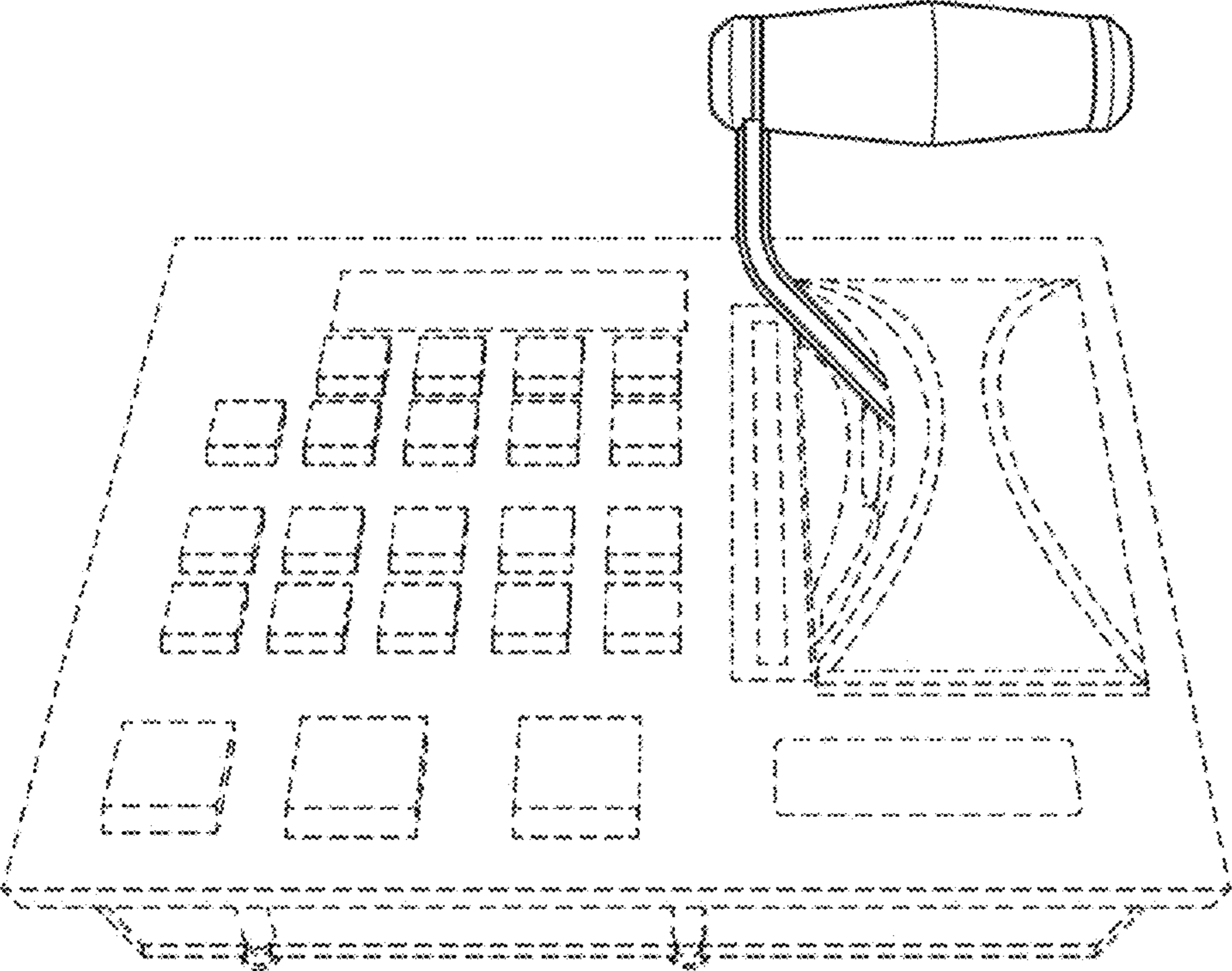
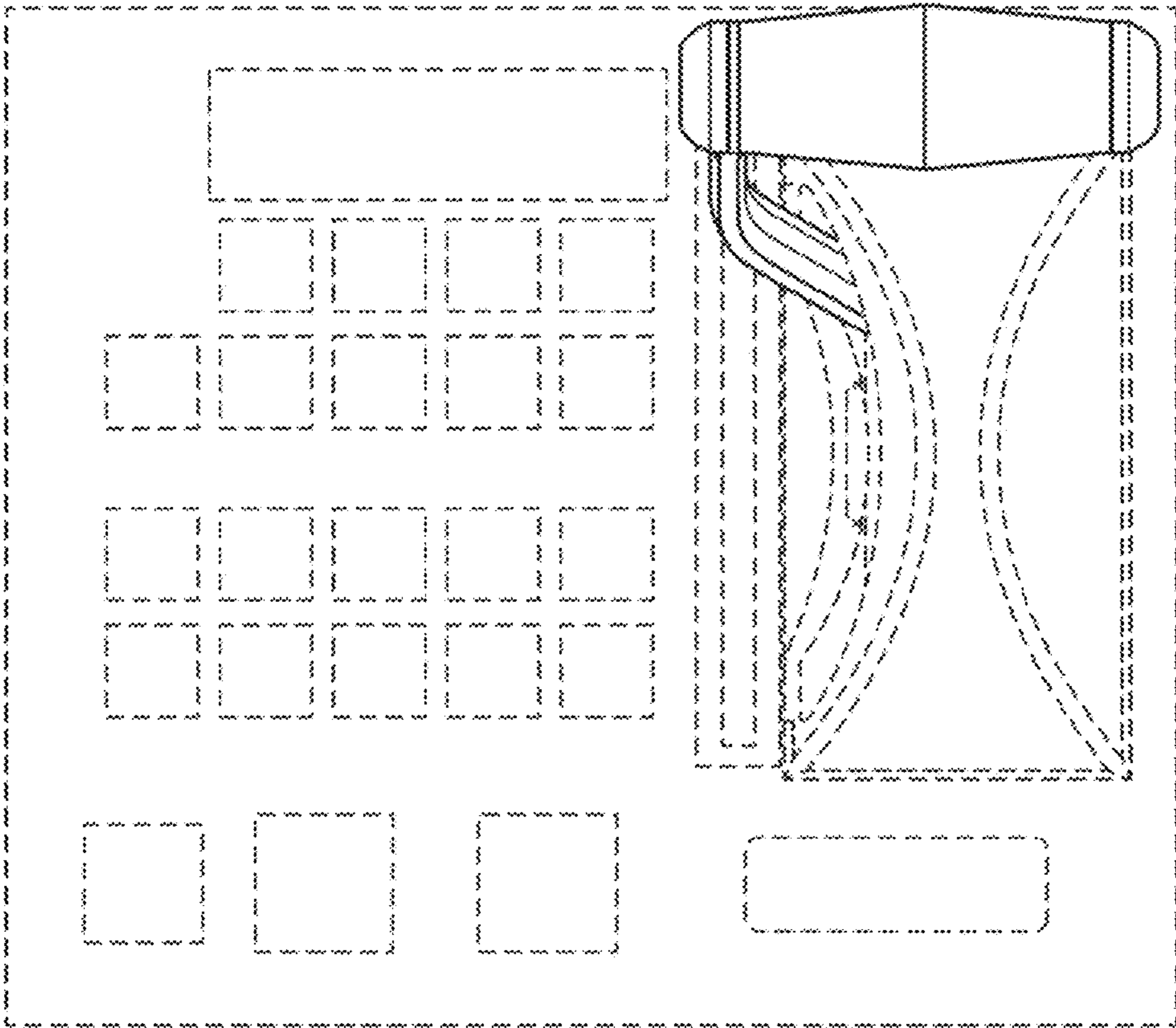
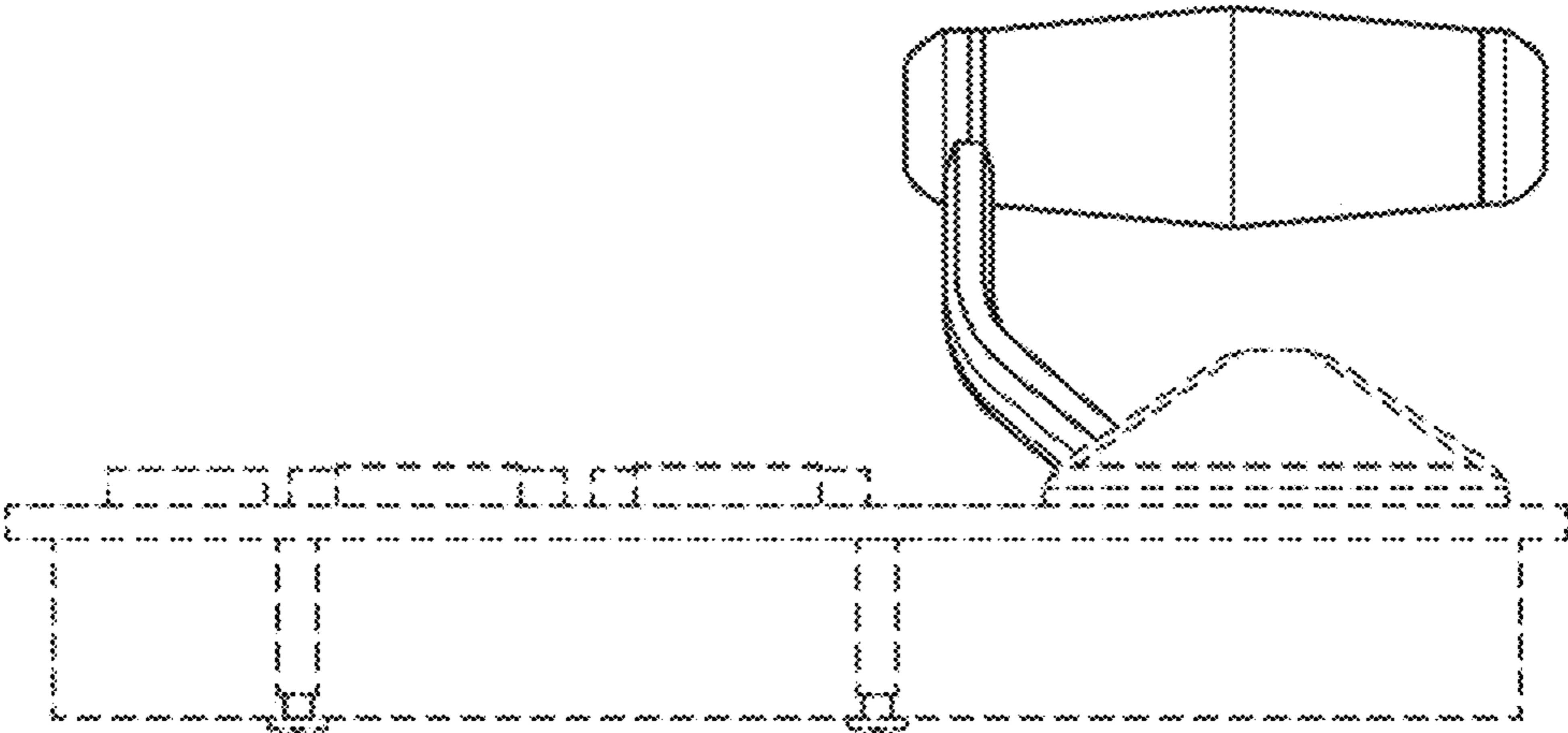


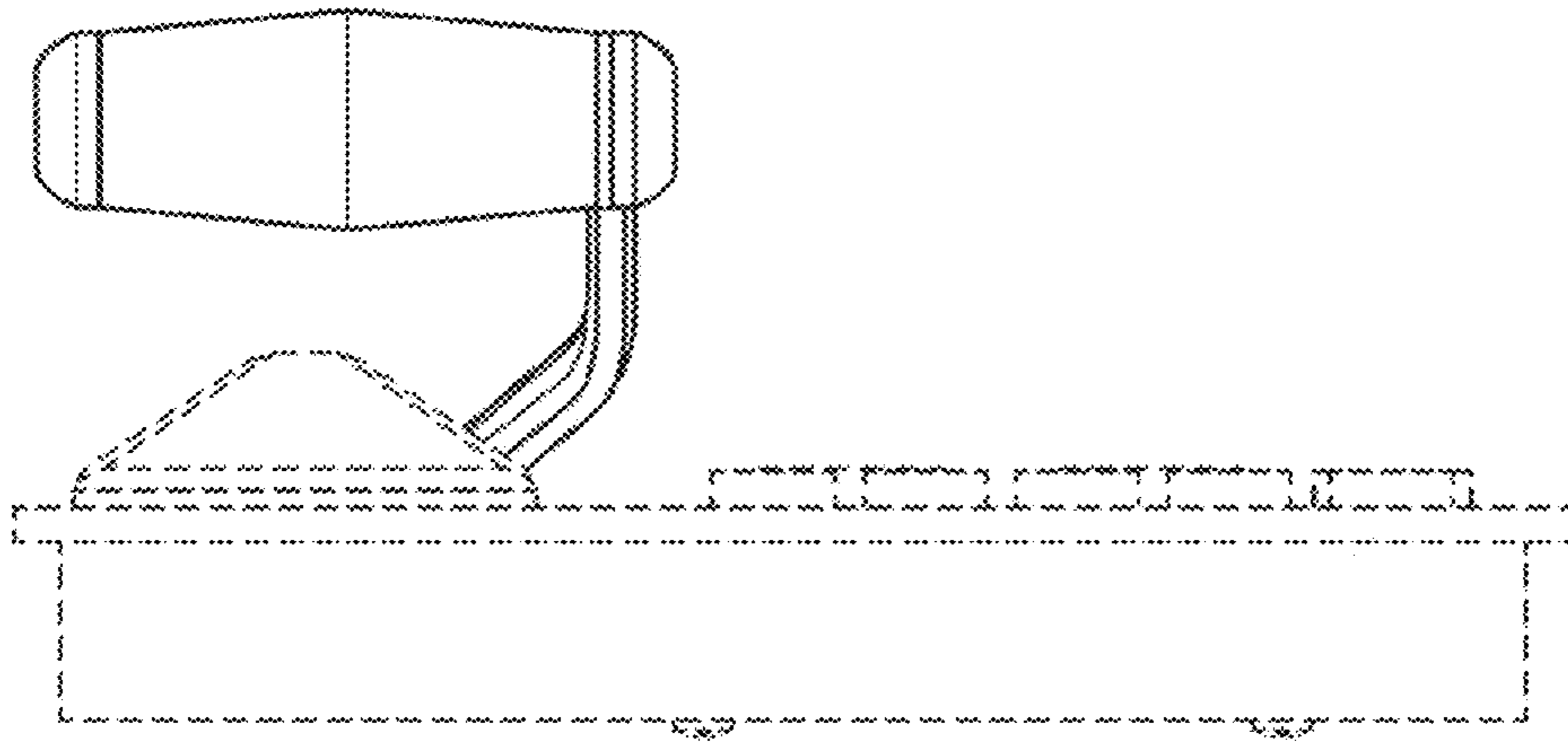
FIG. 1



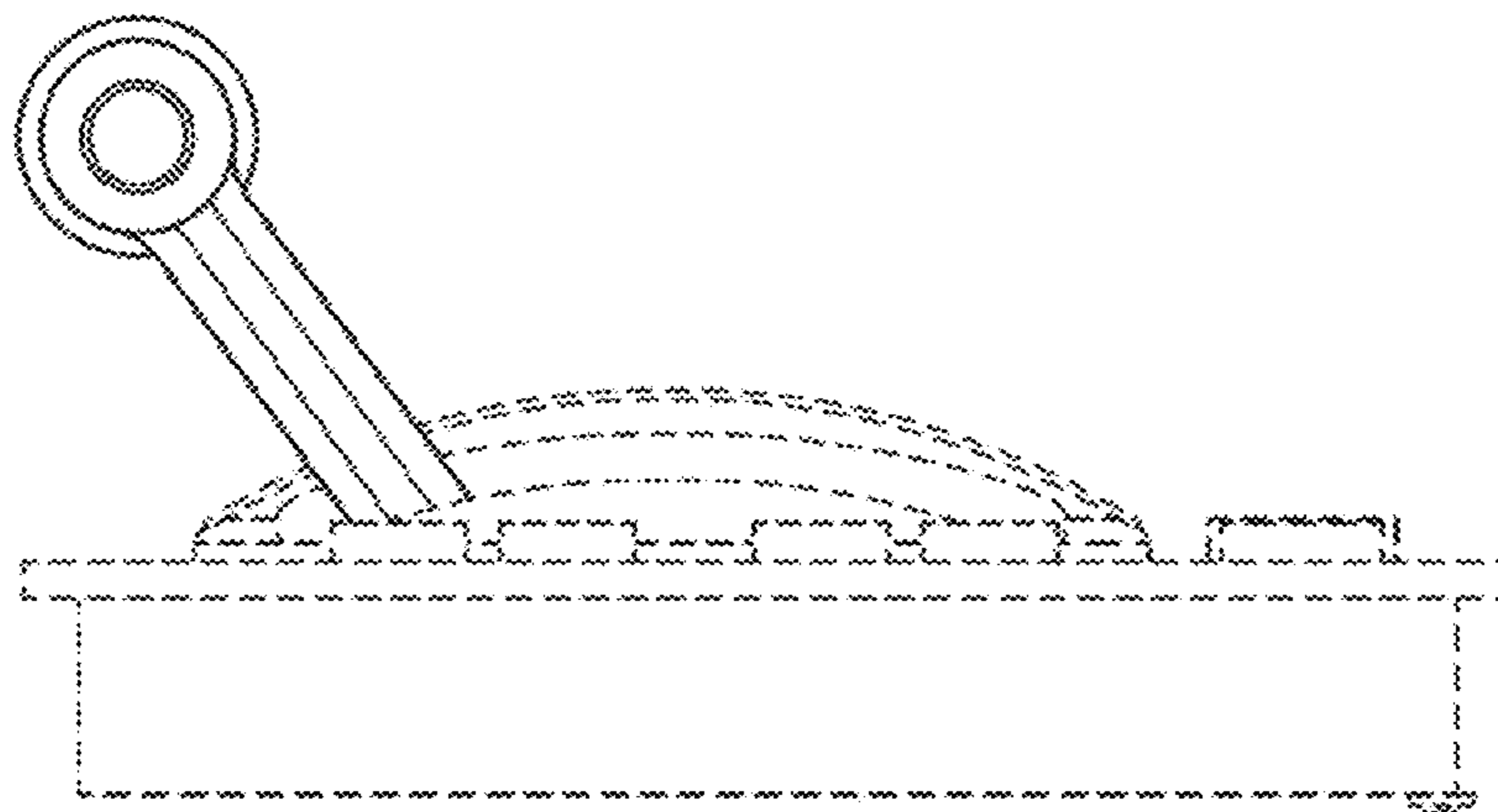
**FIG. 2**



**FIG. 3**



**FIG. 4**



**FIG. 5**

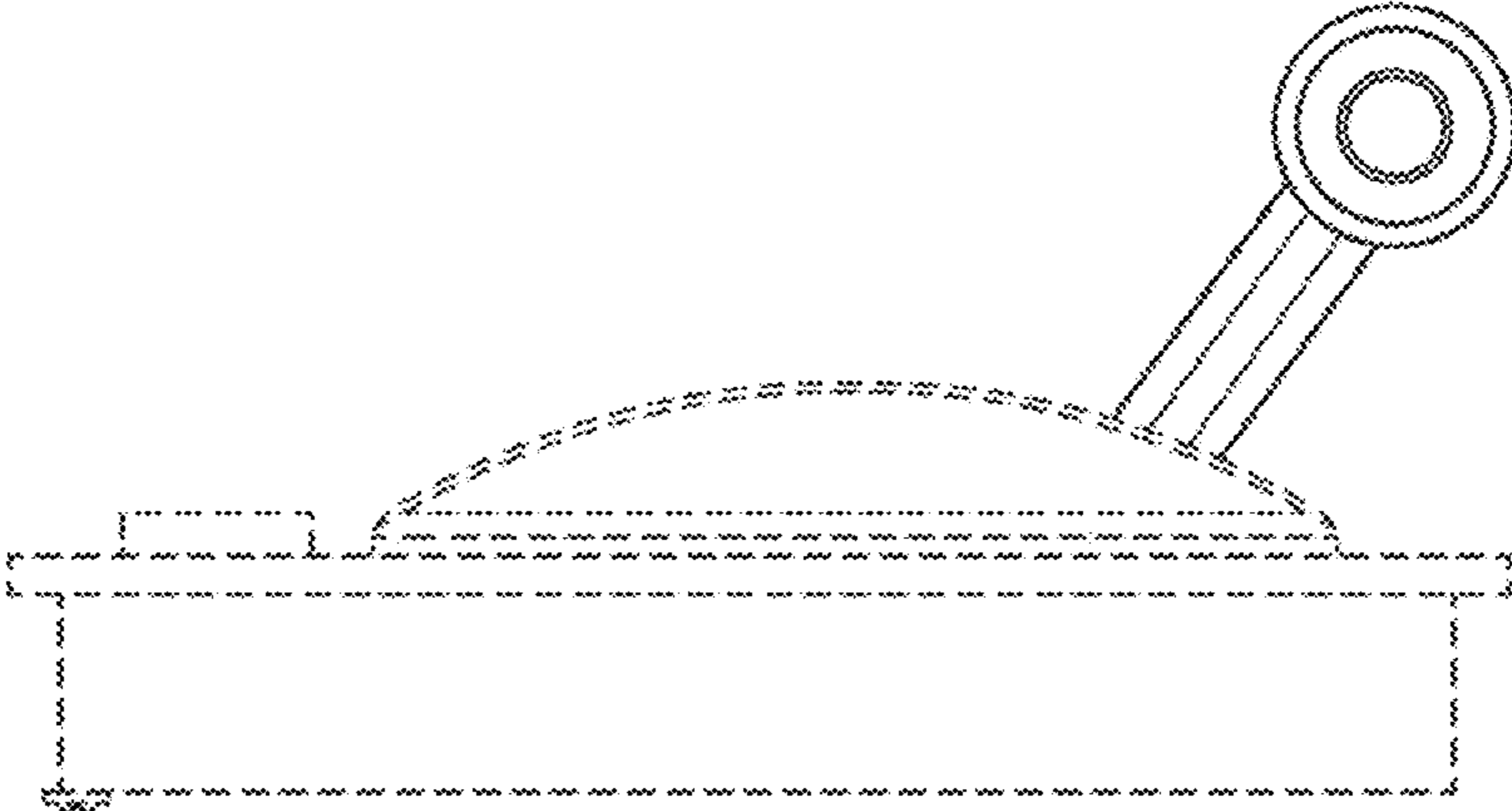


FIG. 6

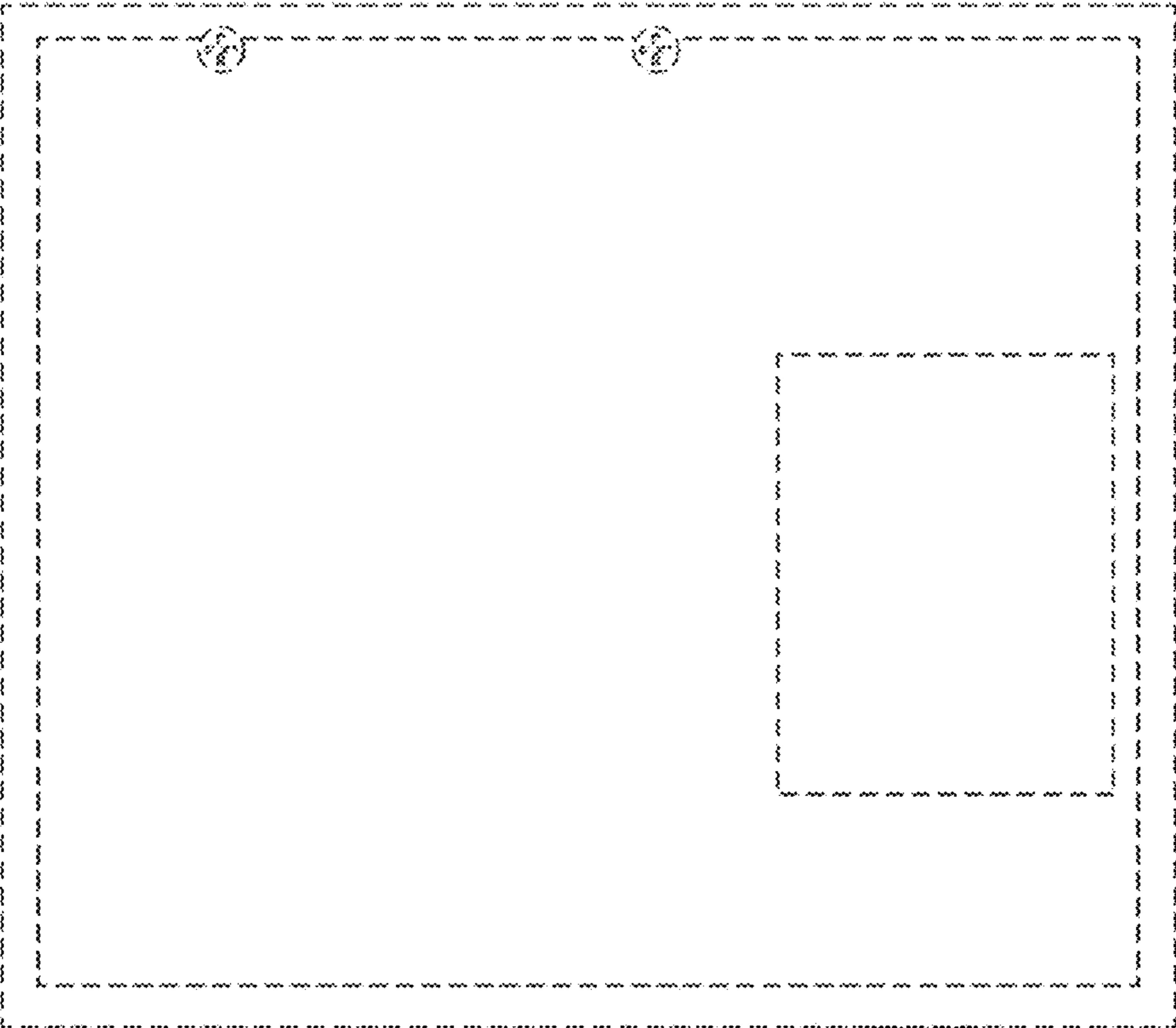


FIG. 7