



US00D752529S

(12) **United States Design Patent**
Loretan et al.

(10) **Patent No.:** **US D752,529 S**
(45) **Date of Patent:** **** Mar. 29, 2016**

(54) **ELECTRONIC HOUSING WITH ILLUMINATED REGION**

Primary Examiner — Randall Gholson
(74) *Attorney, Agent, or Firm* — Banner & Witcoff, Ltd.

(71) Applicant: **Comcast Cable Communications, LLC**, Philadelphia, PA (US)

(57) **CLAIM**
The ornamental design for an electronic housing with illuminated region, as shown and described.

(72) Inventors: **Thomas Loretan**, Philadelphia, PA (US); **Edward Grauch**, Philadelphia, PA (US); **Michael Jou**, Philadelphia, PA (US); **Christopher Stone**, Newtown, PA (US); **Ashley Moran**, Philadelphia, PA (US)

DESCRIPTION

(73) Assignee: **Comcast Cable Communications, LLC**, Philadelphia, PA (US)

FIG. 1 is a front perspective view of an electronic housing with illumination region in a non-illuminated state showing our new design;
FIG. 2 is a top view thereof;
FIG. 3 is a front view thereof;
FIG. 4 is a rear view thereof;
FIG. 5 is a right side view thereof;
FIG. 6 is a left side view thereof;
FIG. 7 is a bottom view thereof;
FIG. 8 is a front perspective view of an electronic housing of FIGS. 1-7 showing the illumination region in an illuminated state;
FIG. 9 is a top view thereof;
FIG. 10 is a front view thereof;
FIG. 11 is a rear view thereof;
FIG. 12 is a right side view thereof;
FIG. 13 is a left side view thereof;
FIG. 14 is a bottom view thereof;
FIG. 15 is a front perspective view of an electronic housing of FIGS. 1-7 showing the illumination region in an illuminated state in grayscale;
FIG. 16 is a top view thereof;
FIG. 17 is a front view thereof;
FIG. 18 is a rear view thereof;
FIG. 19 is a right side view thereof;
FIG. 20 is a left side view thereof; and,
FIG. 21 is a bottom view thereof.

(**) Term: **14 Years**

(21) Appl. No.: **29/493,417**

(22) Filed: **Jun. 9, 2014**

(51) **LOC (10) Cl.** **14-03**

(52) **U.S. Cl.**
USPC **D14/125**

(58) **Field of Classification Search**
USPC D14/125, 357-358, 496, 188, 242, 432;
D13/184; 348/10, 460, 706, 731;
340/825.03; 455/6.1, 6.2; 312/223.1, 312/7.2
CPC H04N 7/00
See application file for complete search history.

The broken line showing of various features of the electronic housing with illuminated region are for environmental purposes only and form no part of the claimed design. The radiating lines emanating from the rectangular element in FIGS. 8-14, and the rectangular element shown in grayscale in FIGS. 15-21 represent illumination.

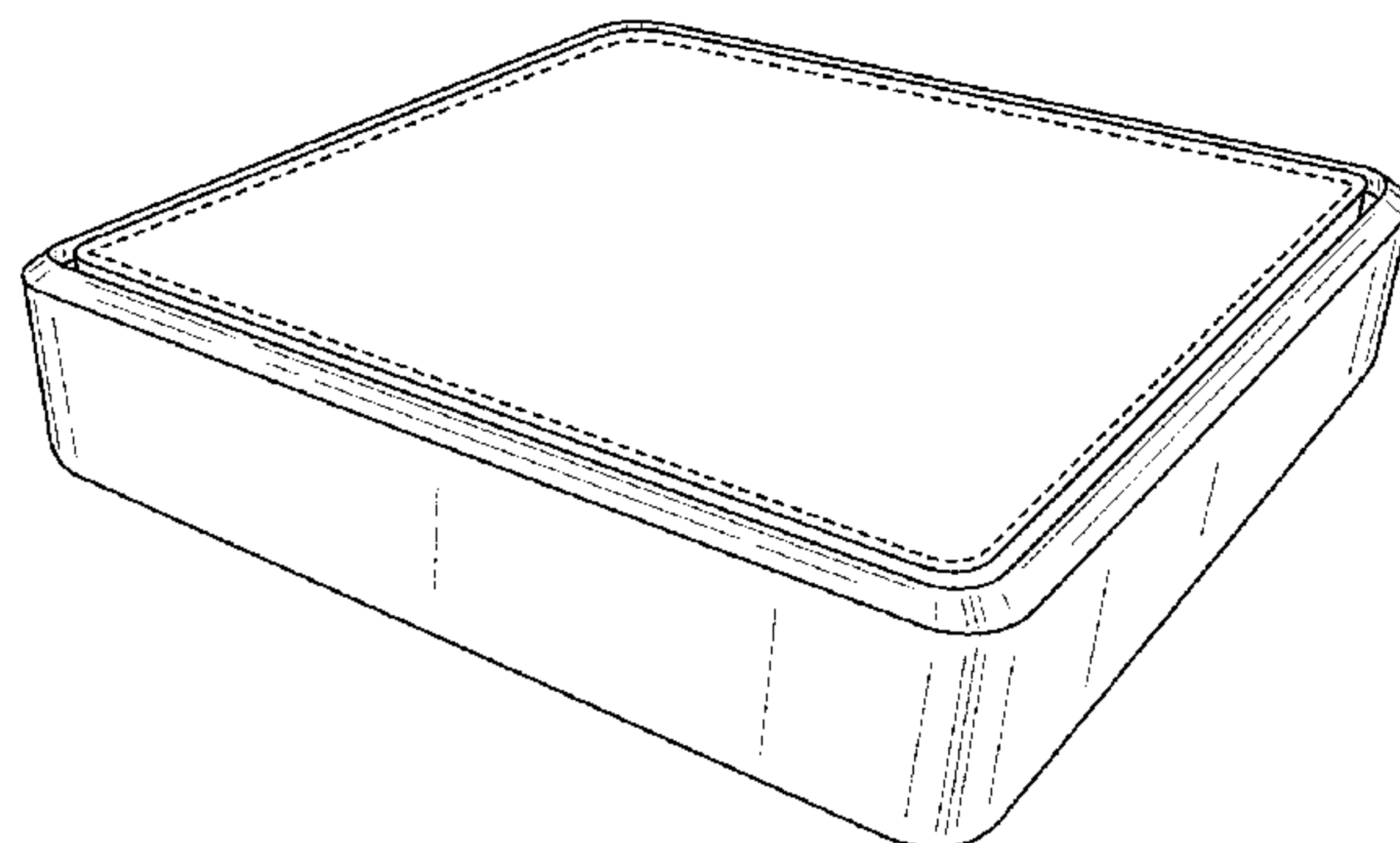
(56) **References Cited**

U.S. PATENT DOCUMENTS

D624,912 S	*	10/2010	Chen et al.	D14/356
D641,327 S	*	7/2011	Falakfarsa et al.	D14/125
D641,363 S	*	7/2011	Dublin	D14/356
D643,822 S	*	8/2011	Crosby et al.	D14/125
D647,896 S	*	11/2011	Chen et al.	D14/314
D648,722 S	*	11/2011	Meyerhoffer et al.	D14/346
D653,662 S	*	2/2012	Park et al.	D14/358
D655,271 S	*	3/2012	Park et al.	D14/188
D692,849 S	*	11/2013	Choi	D14/188

(Continued)

1 Claim, 12 Drawing Sheets



US D752,529 S

Page 2

(56)

References Cited

U.S. PATENT DOCUMENTS

D701,699 S * 4/2014 Bonacina et al. D3/304
D705,746 S * 5/2014 Lin et al. D14/125

D693,798 S * 11/2013 Chuang et al. D14/240 * cited by examiner

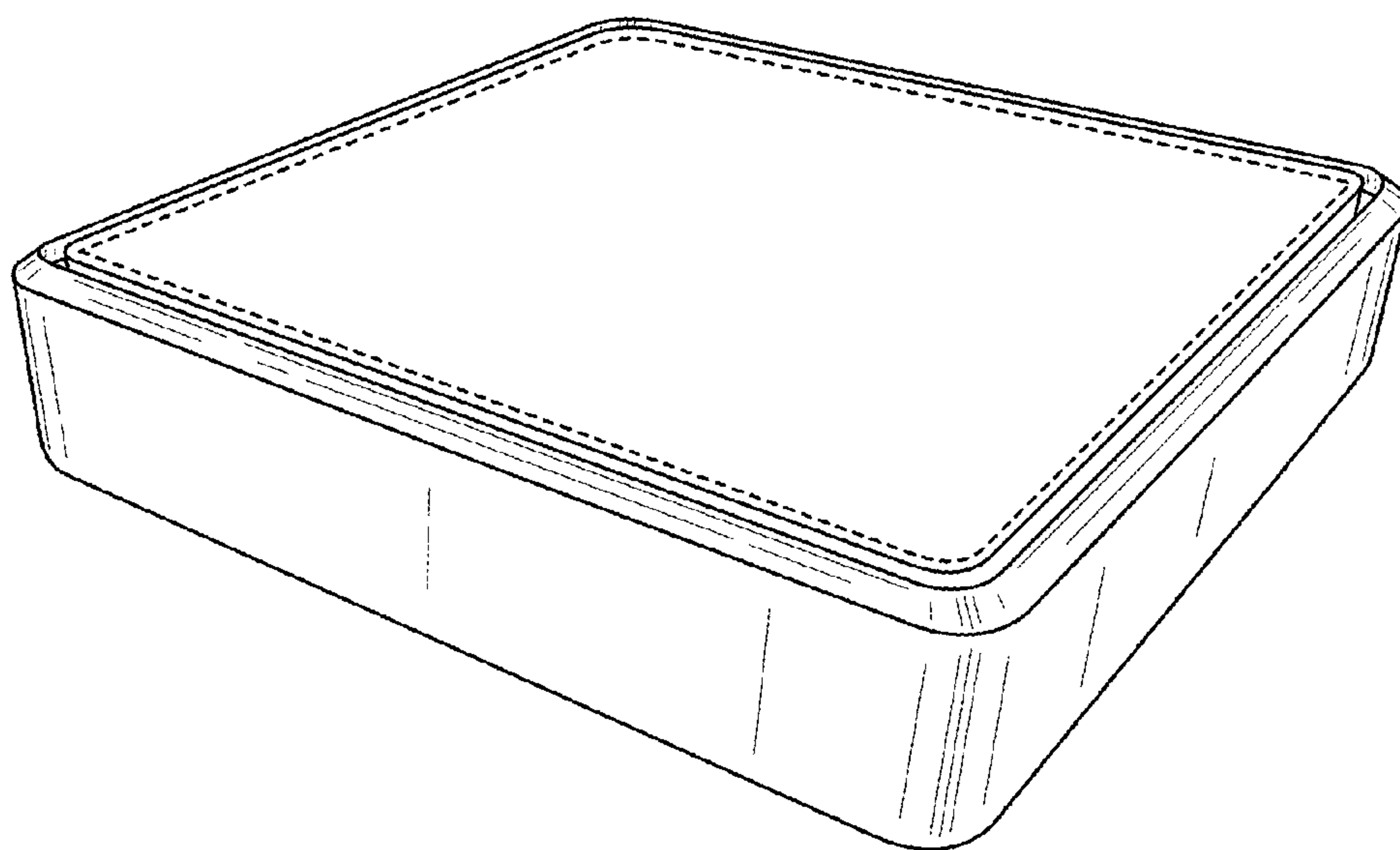


FIG. 1

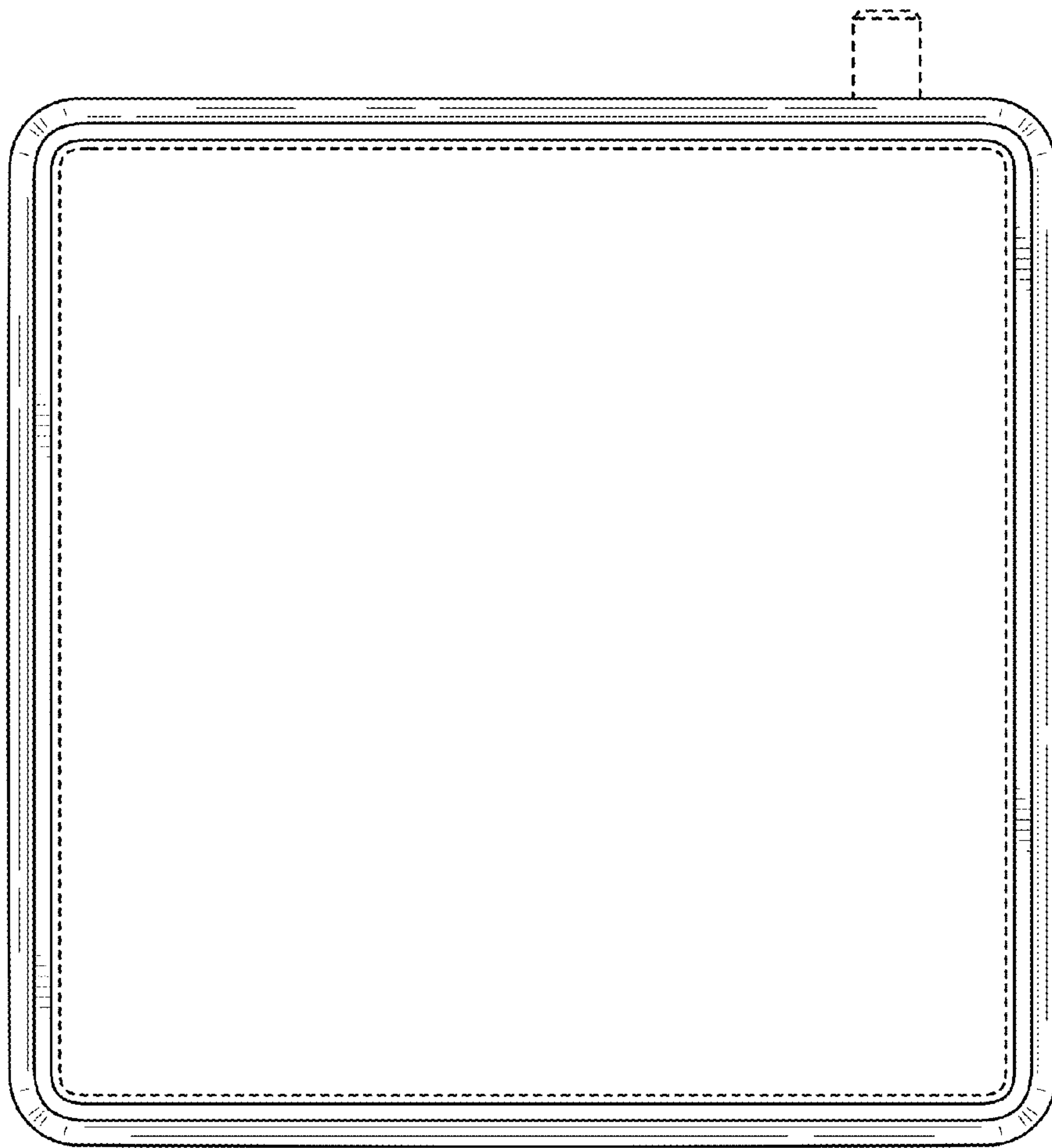


FIG. 2

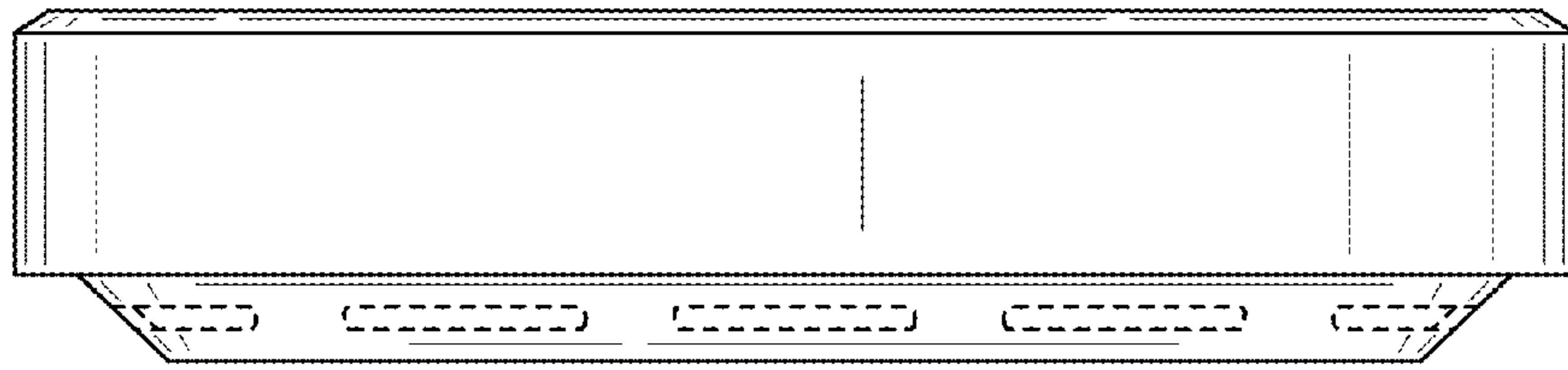


FIG. 3

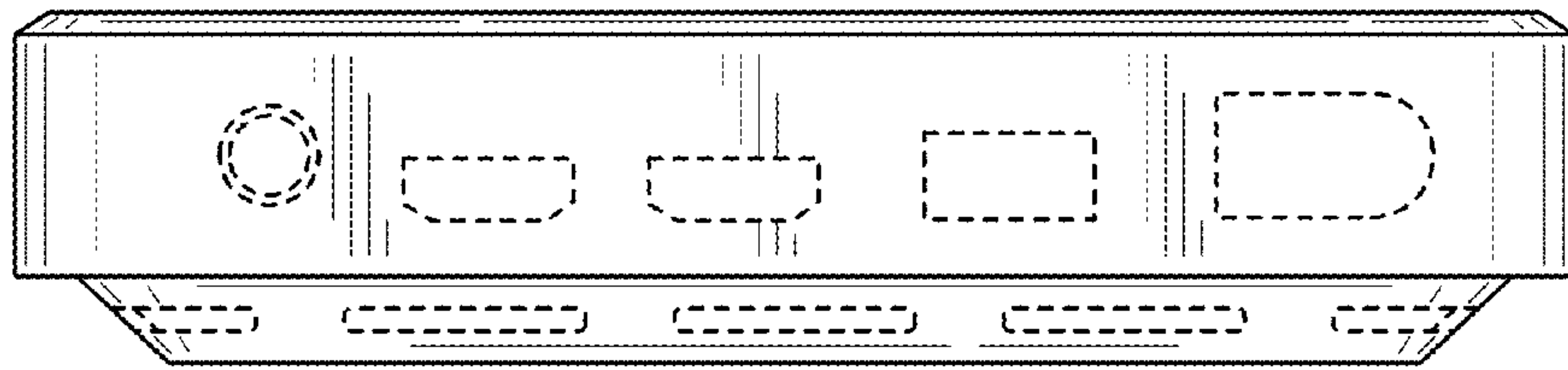


FIG. 4

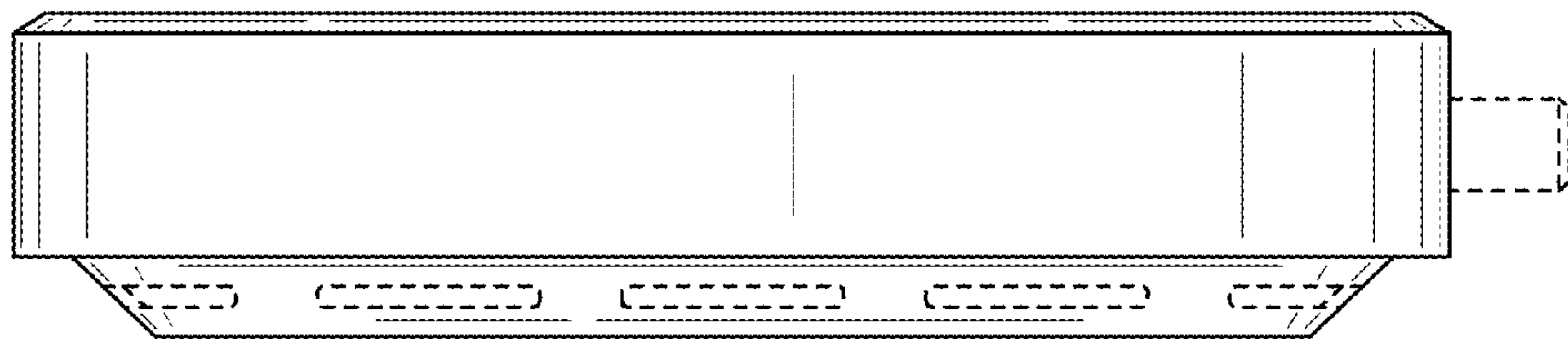


FIG. 5

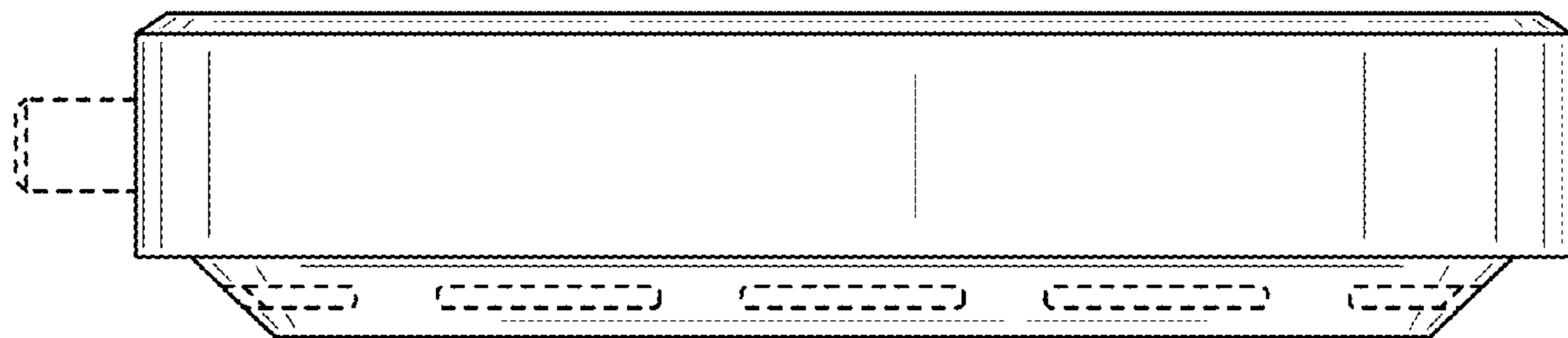


FIG. 6

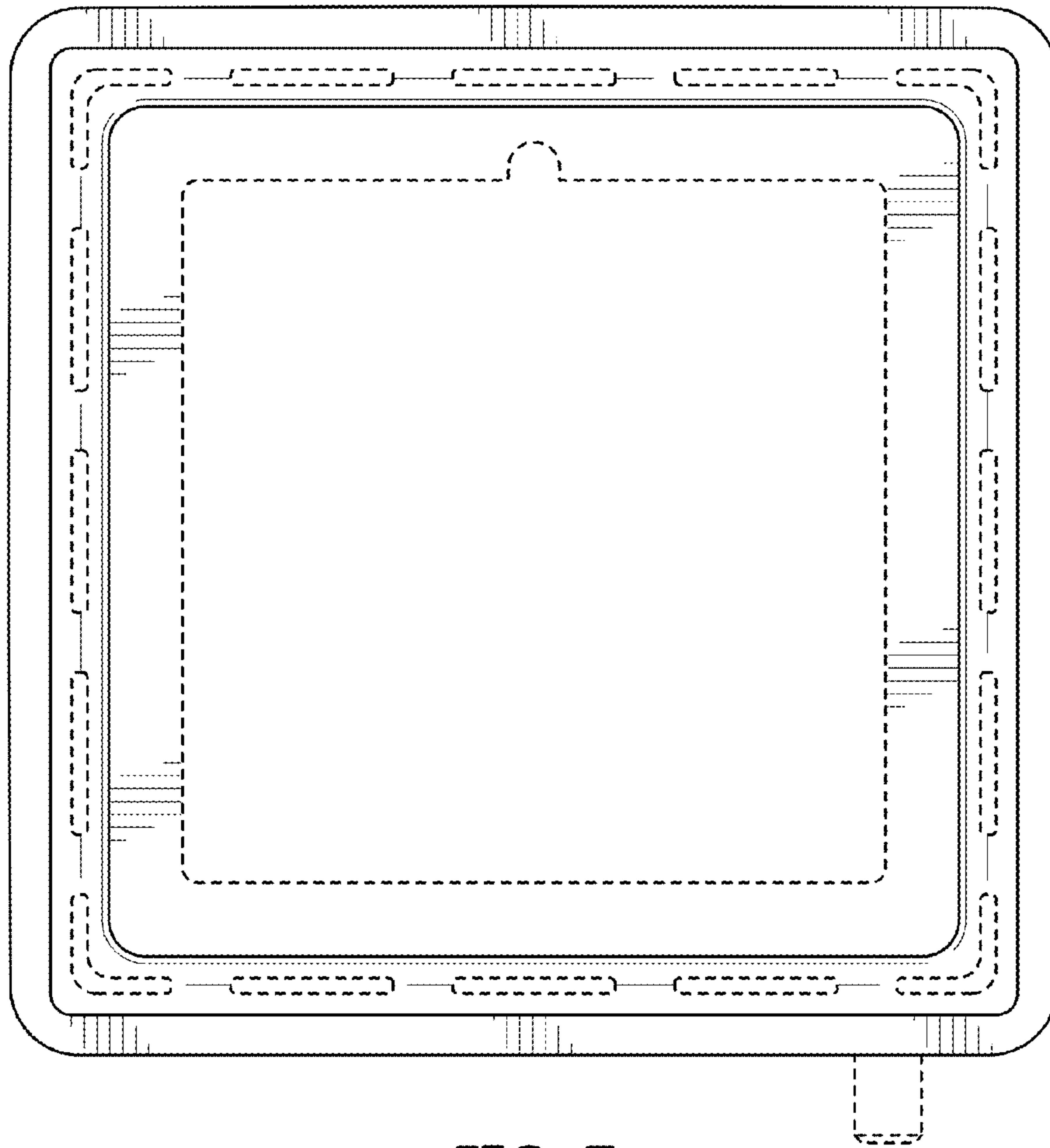


FIG. 7

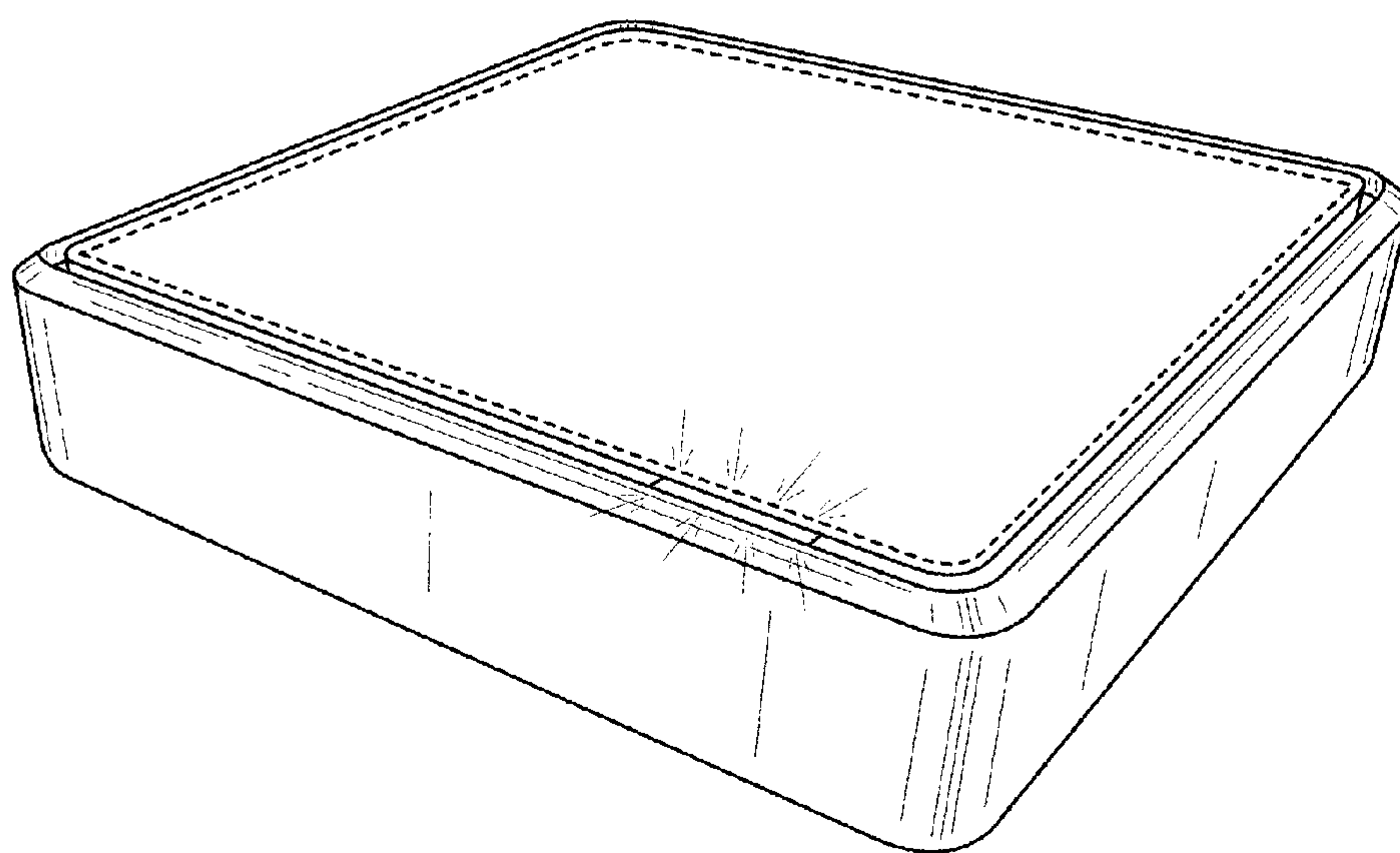


FIG. 8

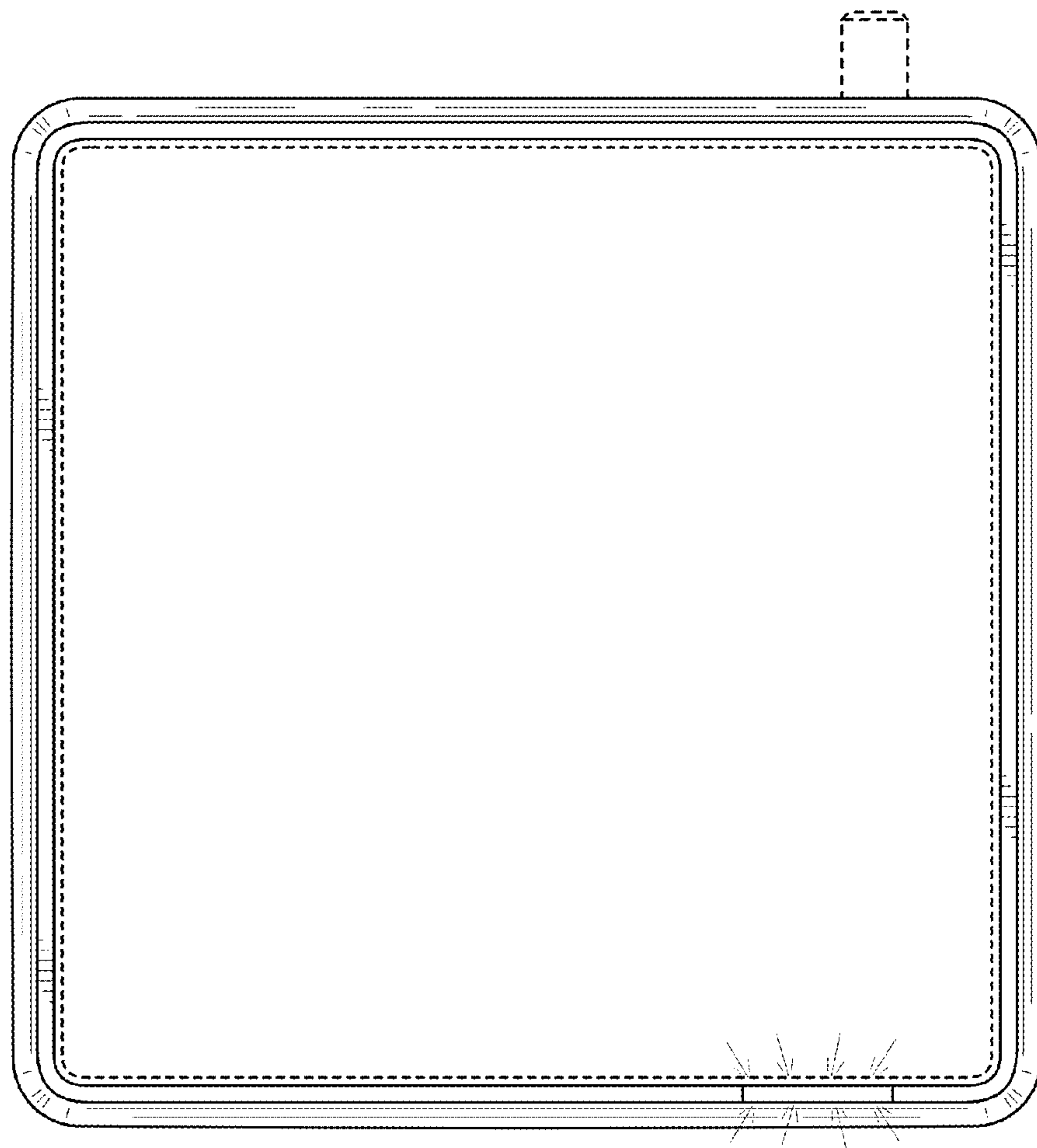


FIG. 9

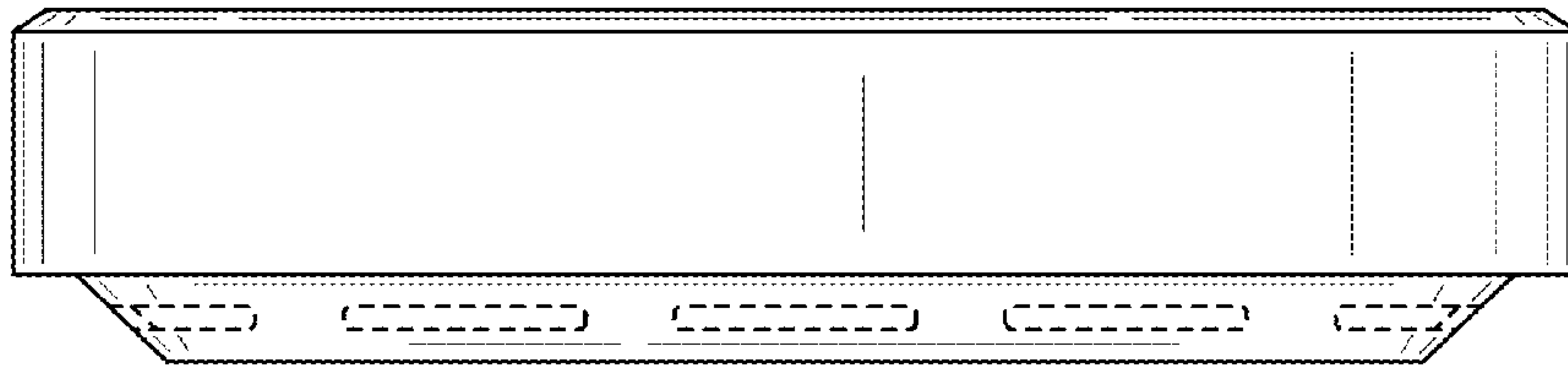


FIG. 10

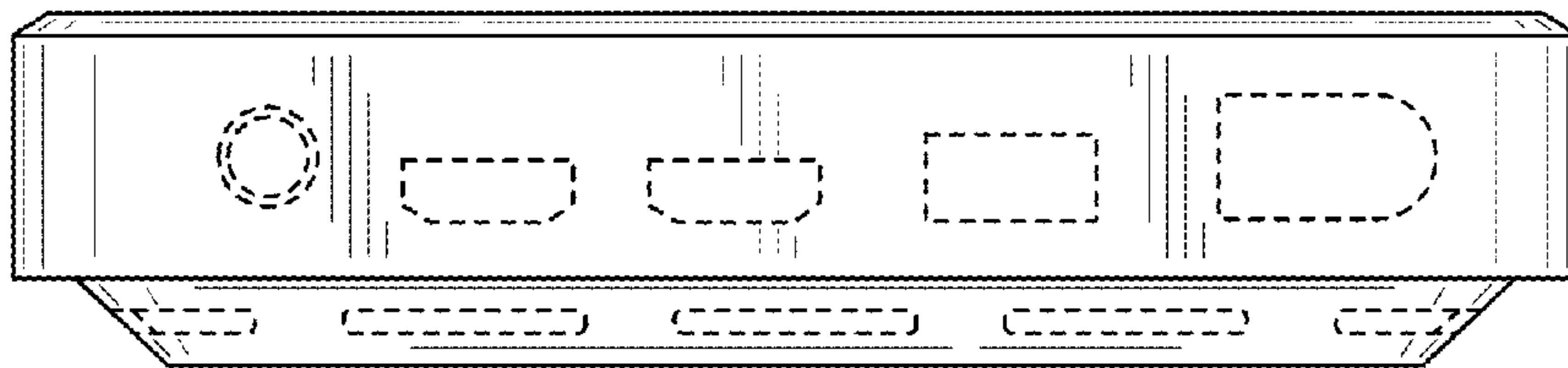


FIG. 11

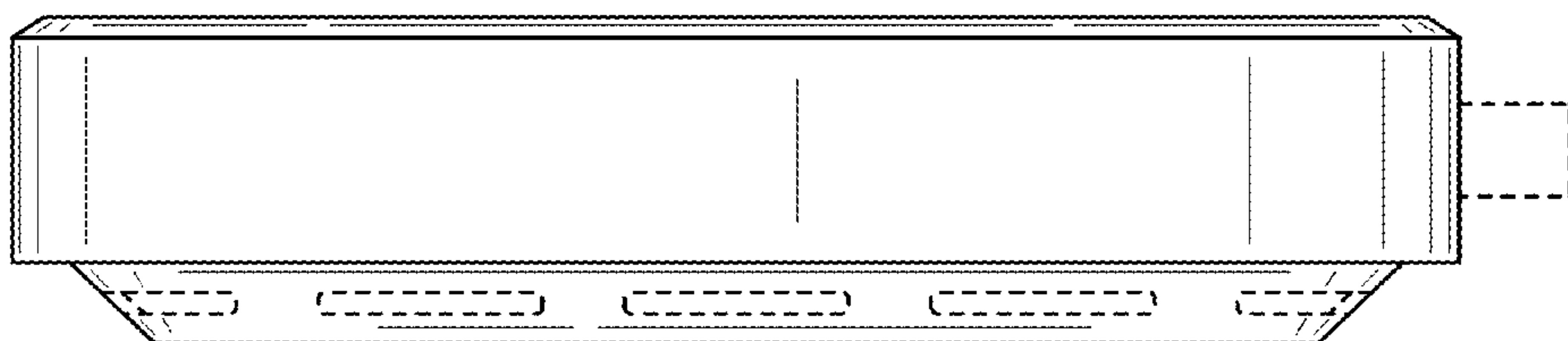


FIG. 12

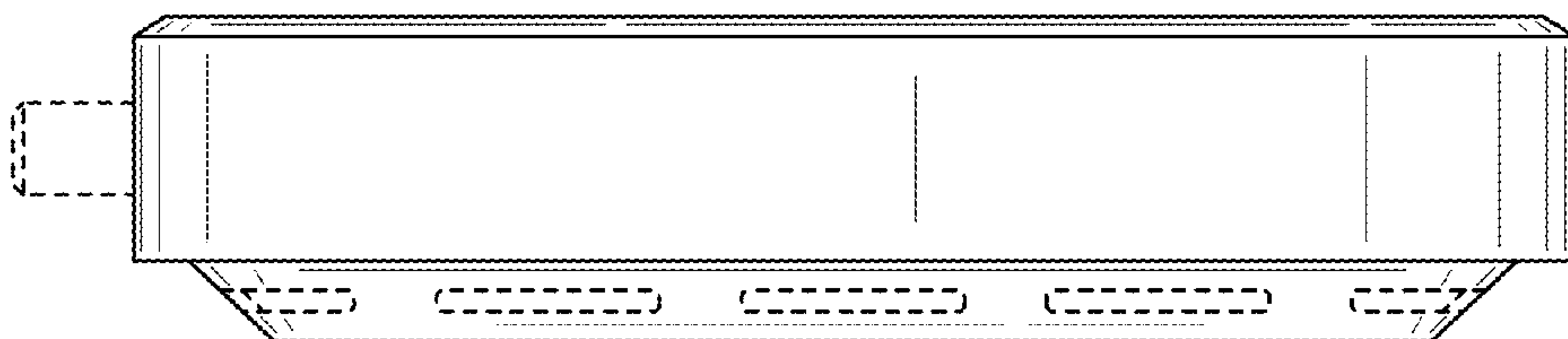


FIG. 13

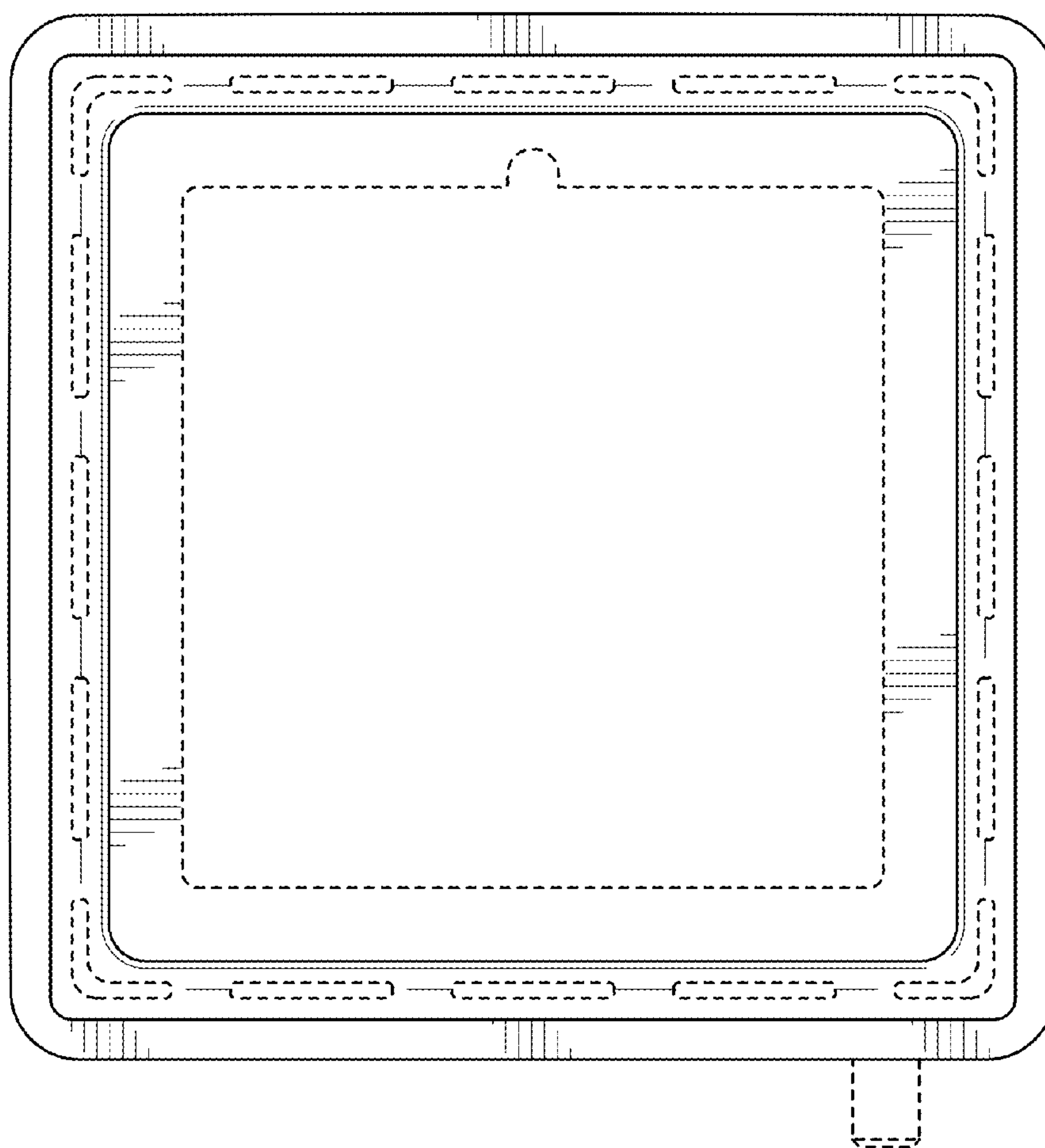


FIG. 14

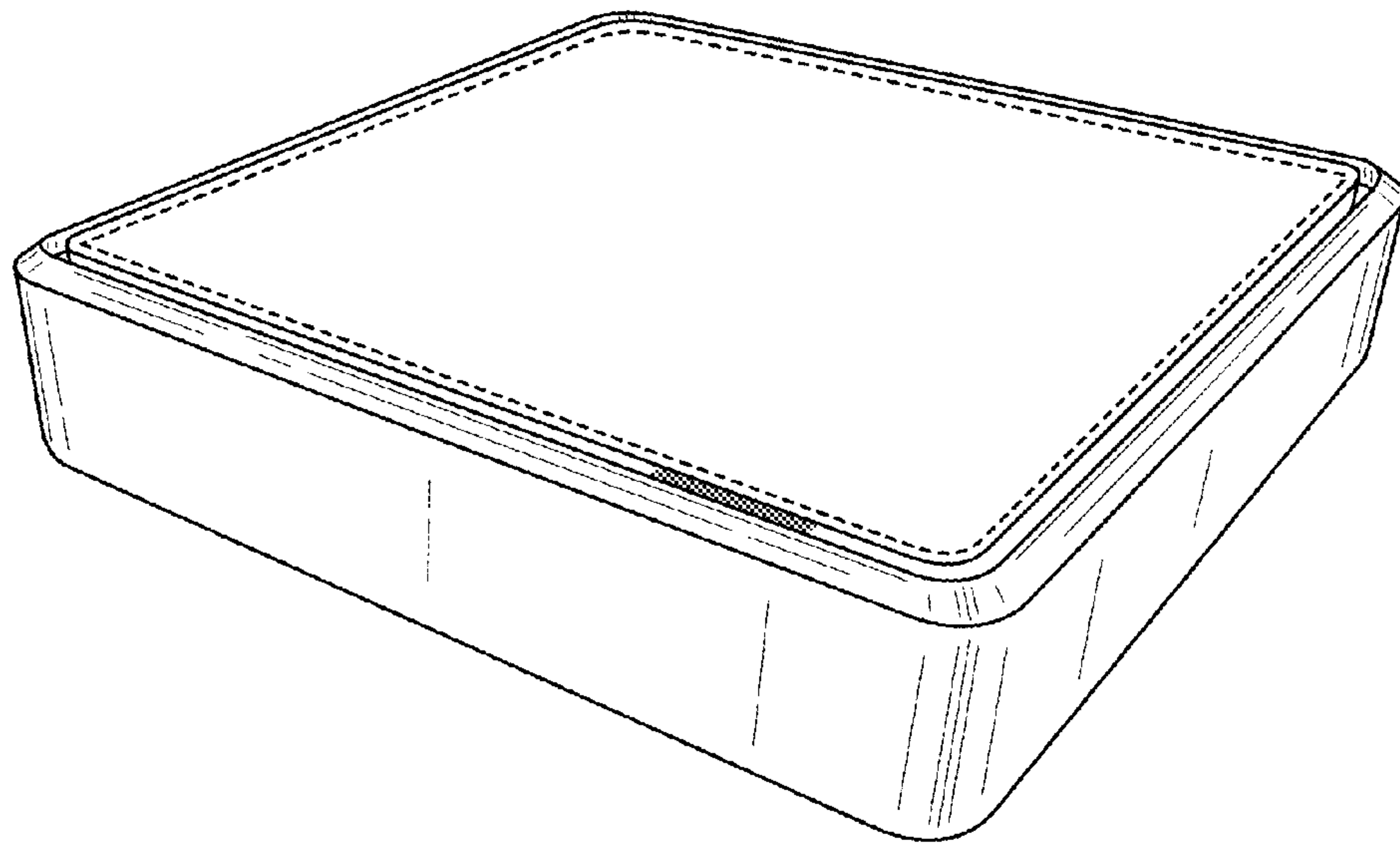


FIG. 15

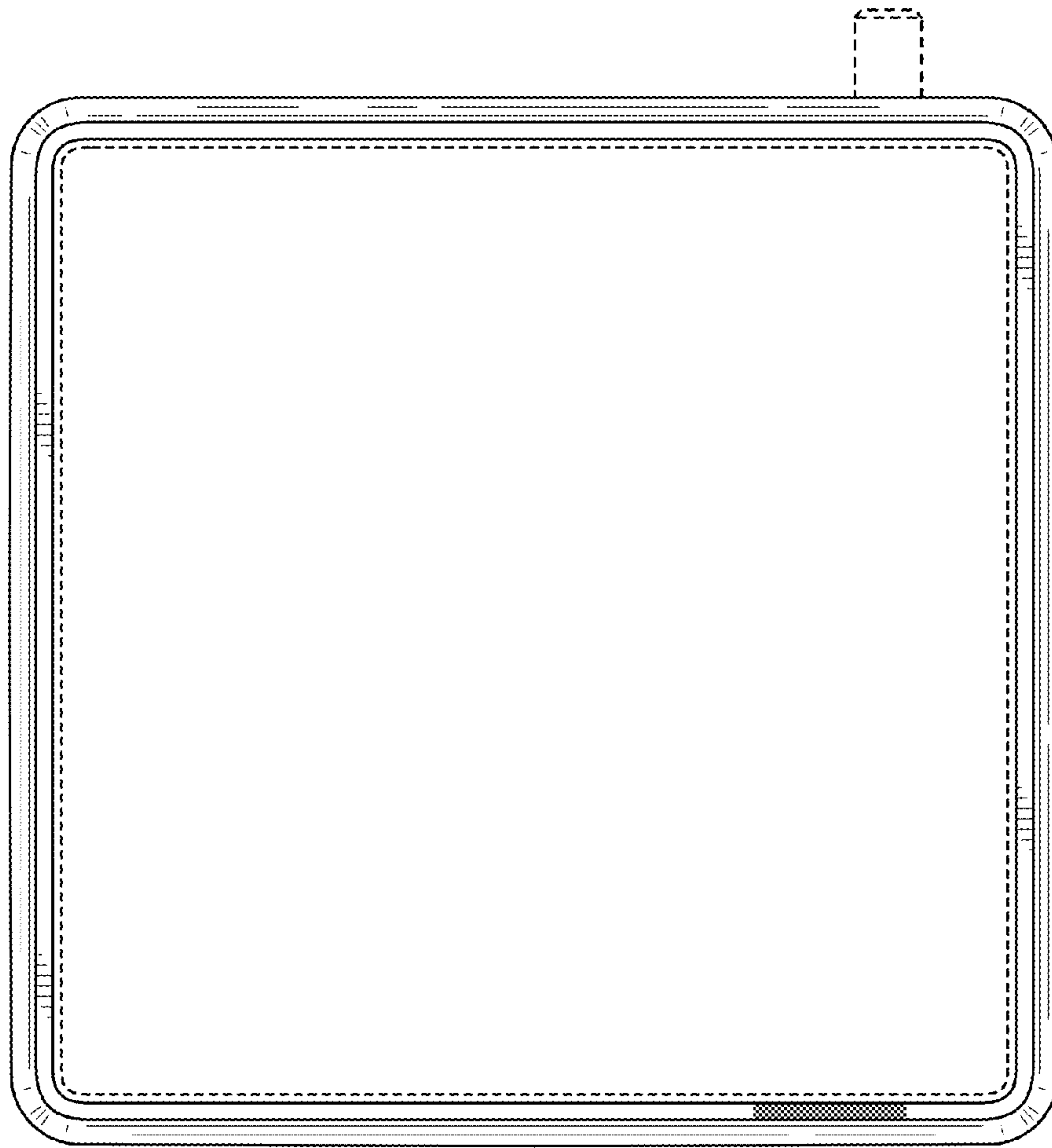


FIG. 16

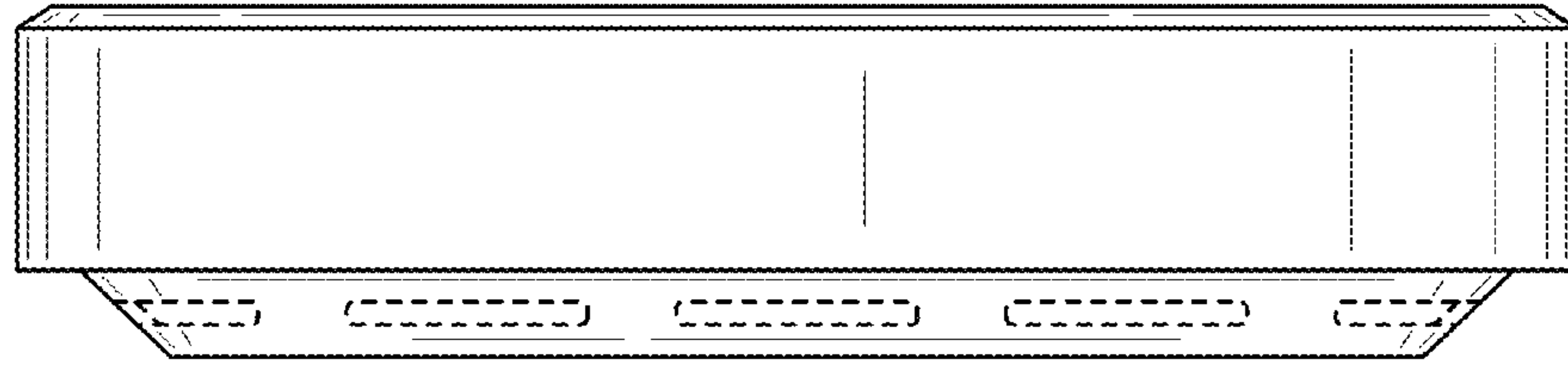


FIG. 17

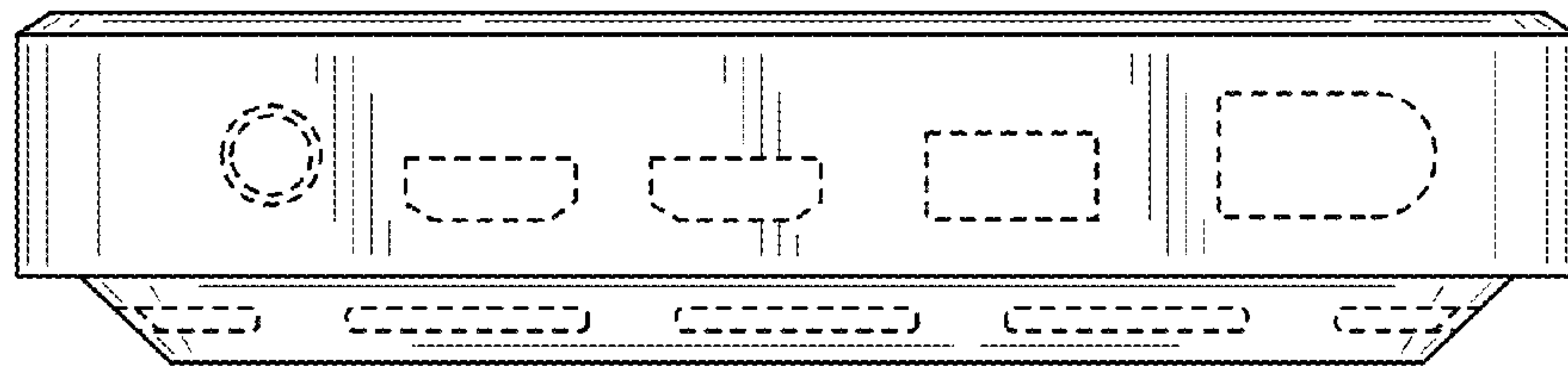


FIG. 18

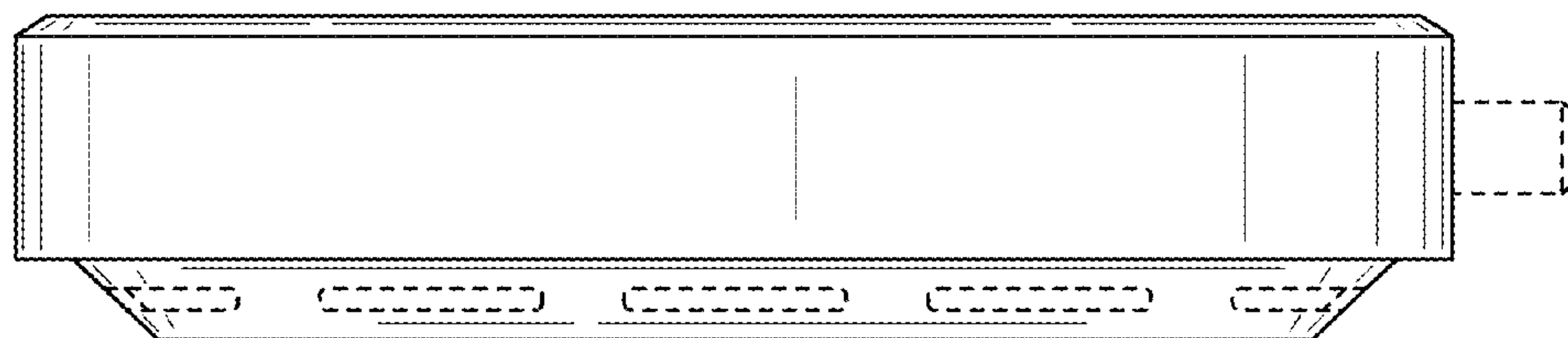


FIG. 19

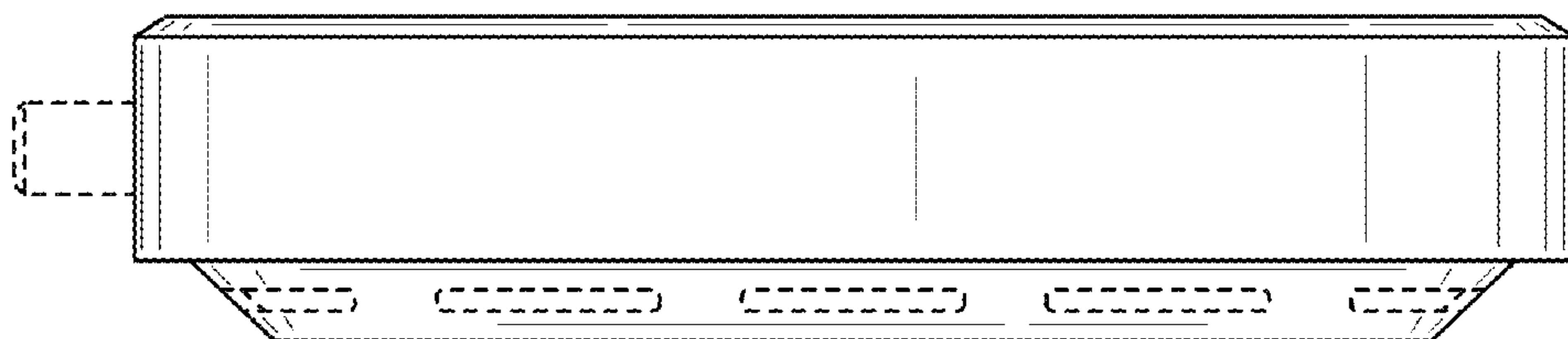


FIG. 20

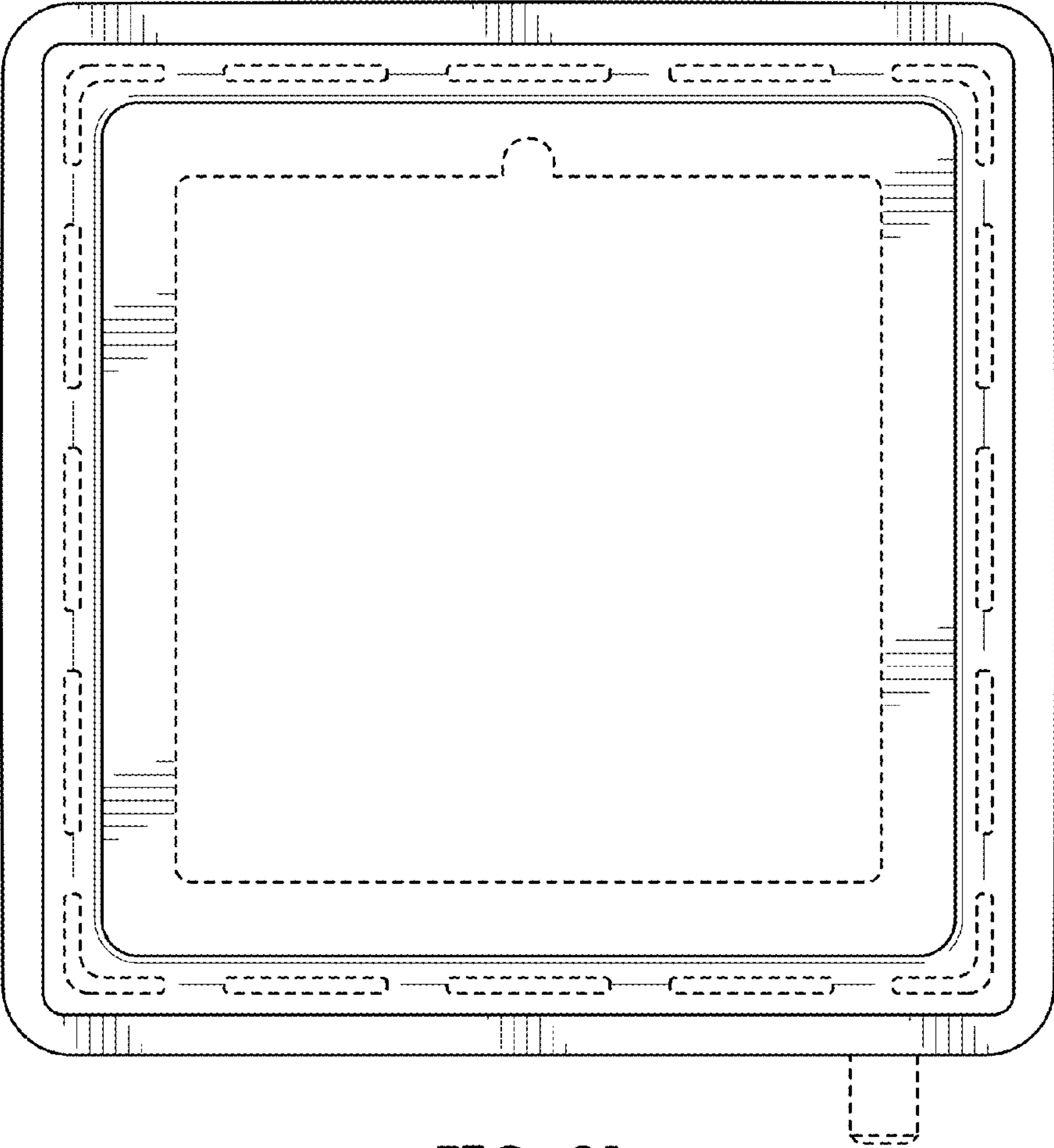


FIG. 21