



US00D752527S

(12) **United States Design Patent**
Chen et al.

(10) **Patent No.:** **US D752,527 S**
(45) **Date of Patent:** **** Mar. 29, 2016**

- (54) **LIGHT-EMITTING DIODE DEVICE**
- (71) Applicant: **EPISTAR CORPORATION**, Hsinchu (TW)
- (72) Inventors: **Chao Hsing Chen**, Hsinchu (TW); **Tsun Kai Ko**, Hsinchu (TW); **Chien Fu Shen**, Hsinchu (TW); **Jia Kuen Wang**, Hsinchu (TW); **Chien Chih Liao**, Hsinchu (TW); **Tsung Hsun Chiang**, Hsinchu (TW)
- (73) Assignee: **EPISTAR CORPORATION**, Hsinchu (TW)
- (**) Term: **14 Years**
- (21) Appl. No.: **29/503,562**
- (22) Filed: **Sep. 26, 2014**

8,168,995	B2 *	5/2012	Ko	H01L 33/38	257/99
D674,356	S *	1/2013	Inoue	D13/180	
8,436,369	B2 *	5/2013	Seo	H01L 33/08	257/79
D698,743	S *	2/2014	Hon	D13/180	
8,704,249	B2 *	4/2014	Kamiya	H01L 33/38	257/91
8,823,039	B2 *	9/2014	Shen	H01L 33/20	257/91
8,884,328	B2 *	11/2014	Lim	H01L 33/20	257/88
D725,052	S *	3/2015	Chen	D13/180	
D733,079	S *	6/2015	Chen	D13/180	
D740,240	S *	10/2015	Chen	D13/180	
2011/0121329	A1 *	5/2011	Chen	H01L 25/0753	257/91
2014/0209938	A1 *	7/2014	Emura	H01L 27/156	257/88

* cited by examiner

Primary Examiner — Selina Sikder
(74) *Attorney, Agent, or Firm* — Muncy, Geissler, Olds & Lowe, P.C.

Related U.S. Application Data

- (63) Continuation-in-part of application No. 29/489,451, filed on Apr. 30, 2014.
- (51) **LOC (10) Cl.** **13-03**
- (52) **U.S. Cl.**
USPC **D13/180**
- (58) **Field of Classification Search**
USPC D13/180; D26/1
CPC ... H01L 25/167; H01L 25/0753; H01L 27/15;
H01L 27/156; H01L 31/02; H01L 33/00;
H01L 33/04; H01L 33/08; H01L 33/10;
H01L 33/20; H01L 33/38; H01L 33/42;
H01L 33/483; H01L 33/4868
See application file for complete search history.

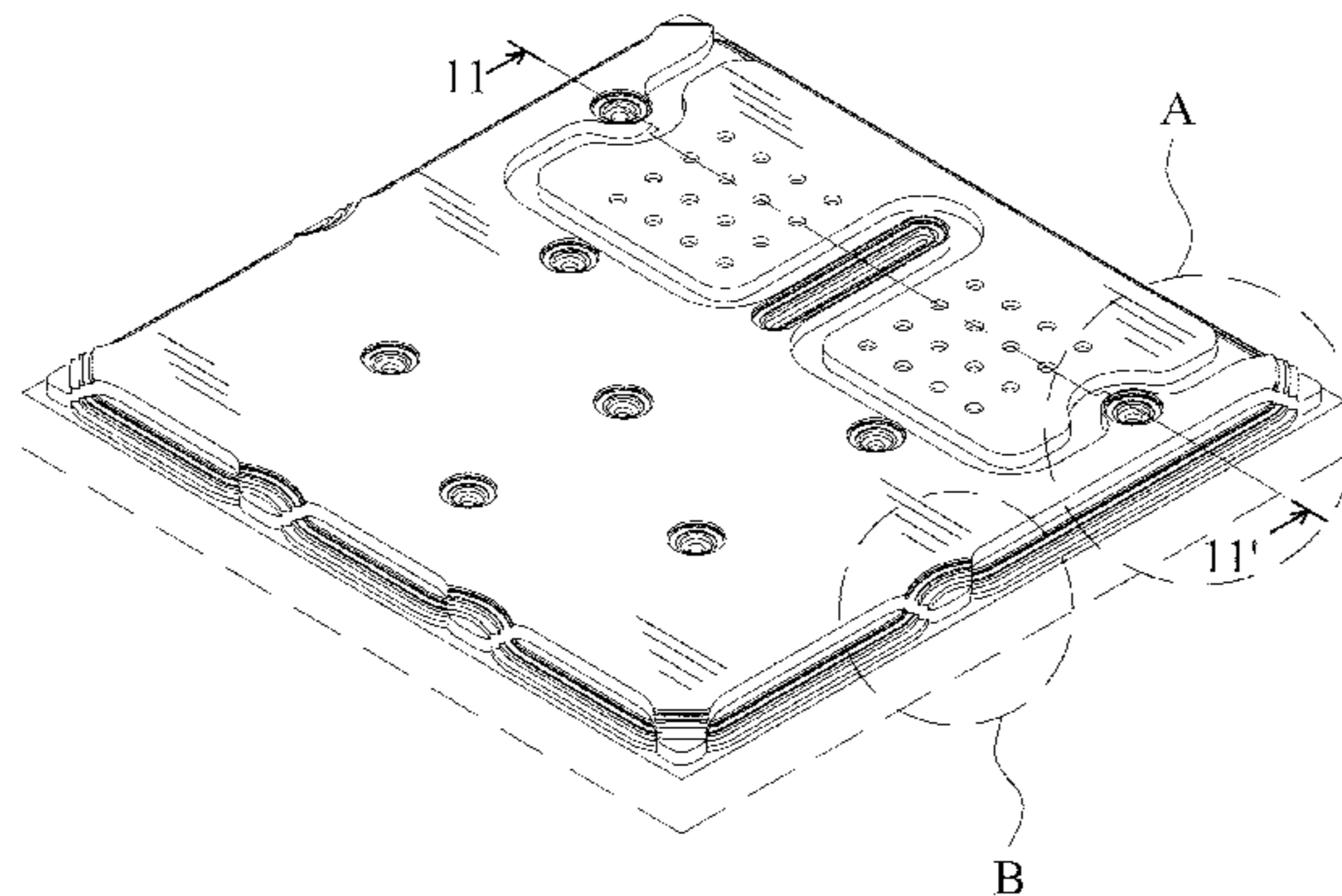
(57) **CLAIM**

The ornamental design for a light-emitting diode device, as shown and described.

DESCRIPTION

FIG. 1 is a perspective view of a light-emitting diode device showing our first example of the new design;
 FIG. 2 is another perspective view thereof;
 FIG. 3 is a front elevational view thereof;
 FIG. 4 is a rear elevational view thereof;
 FIG. 5 is a left side view thereof;
 FIG. 6 is a right side view thereof;
 FIG. 7 is a top plan view thereof;
 FIG. 8 is a bottom plan view thereof;
 FIG. 9 is an enlarged partial view thereof at section A in FIG. 1;
 FIG. 10 is an enlarged partial view thereof at section B in FIG. 1; and,
 FIG. 11 is a cross-sectional view thereof at line 11-11 in FIG. 1.
 The broken line showing is for the purpose of illustrating environmental structure only and forms no part of the claimed design.

1 Claim, 9 Drawing Sheets



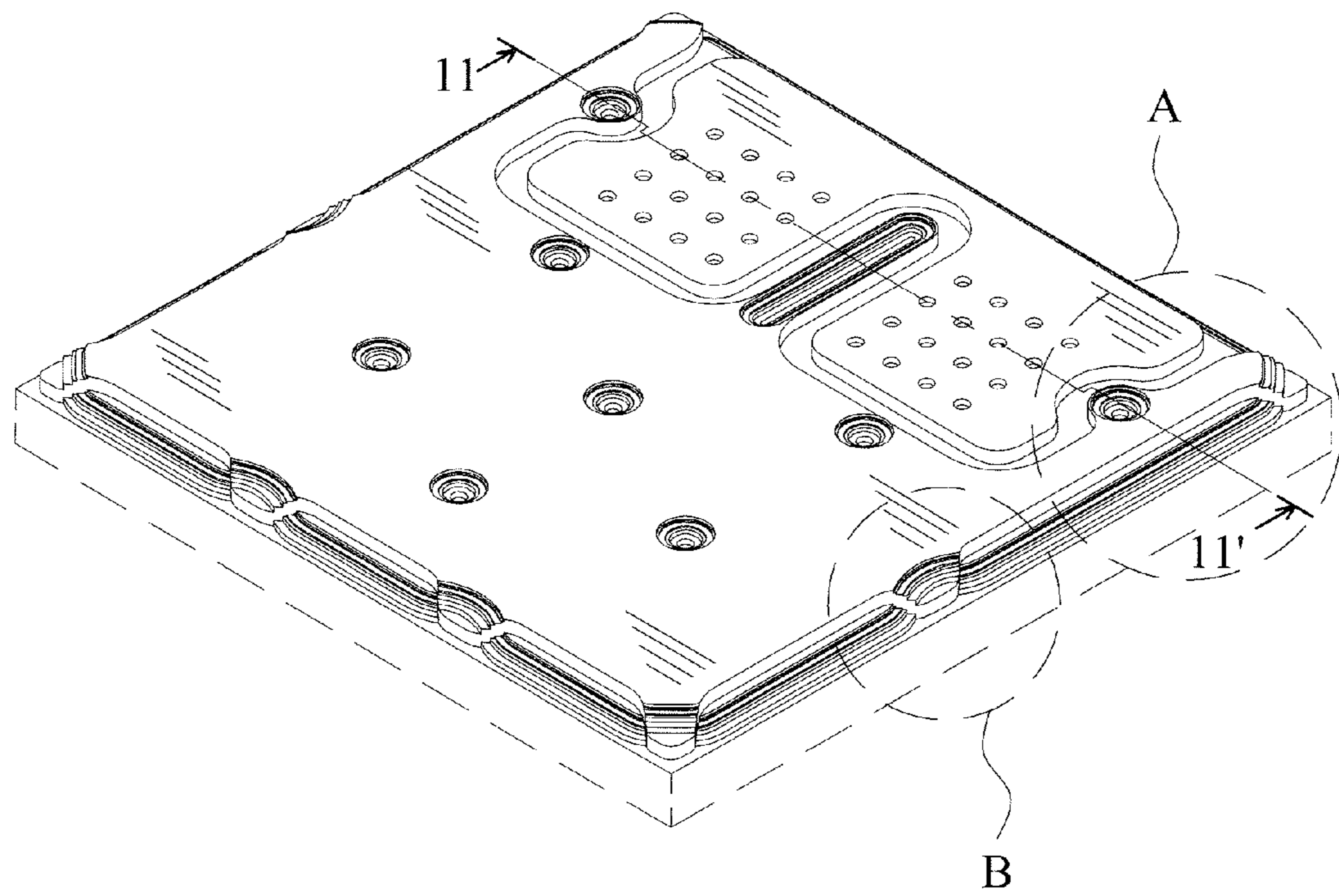


FIG. 1

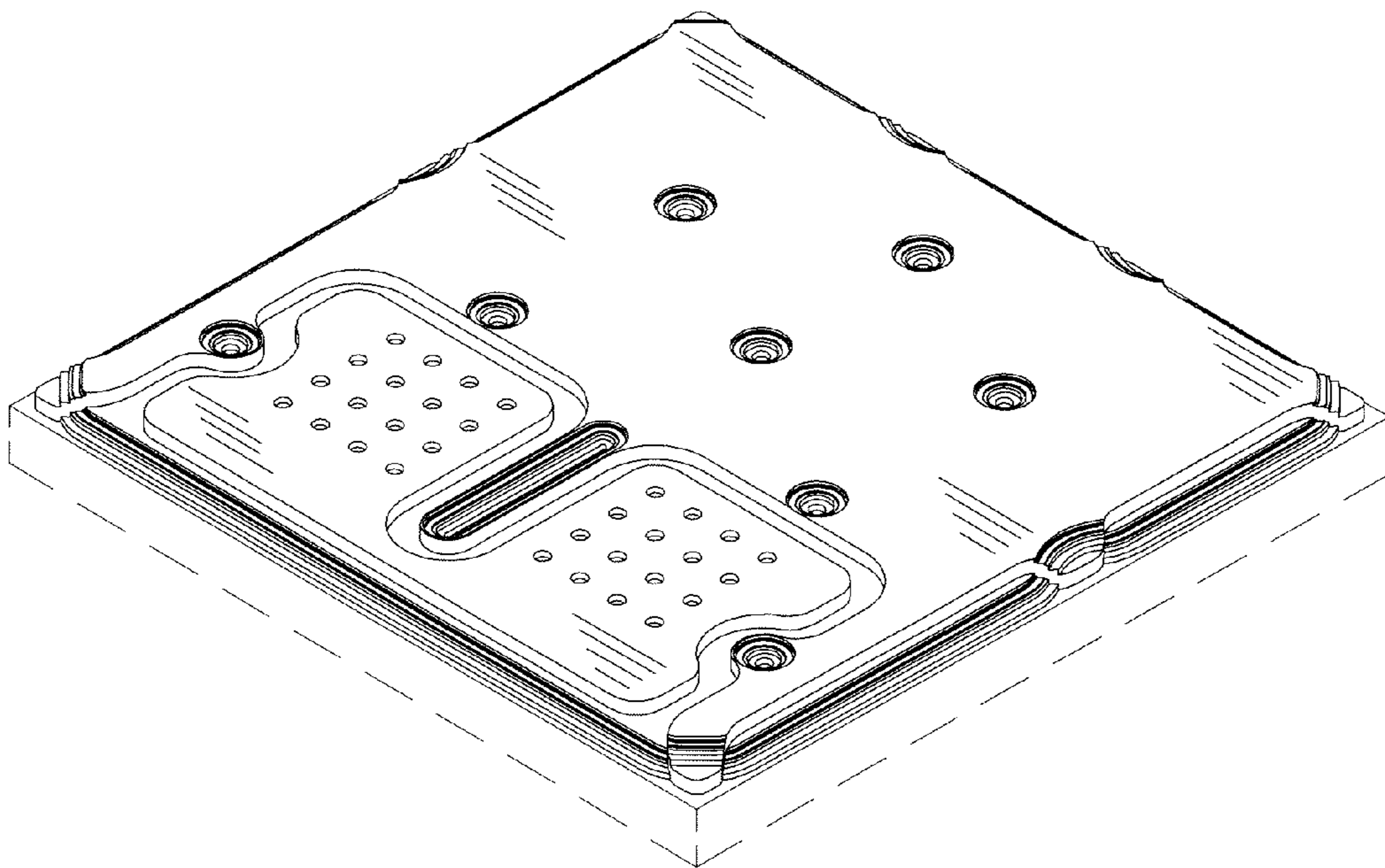


FIG. 2

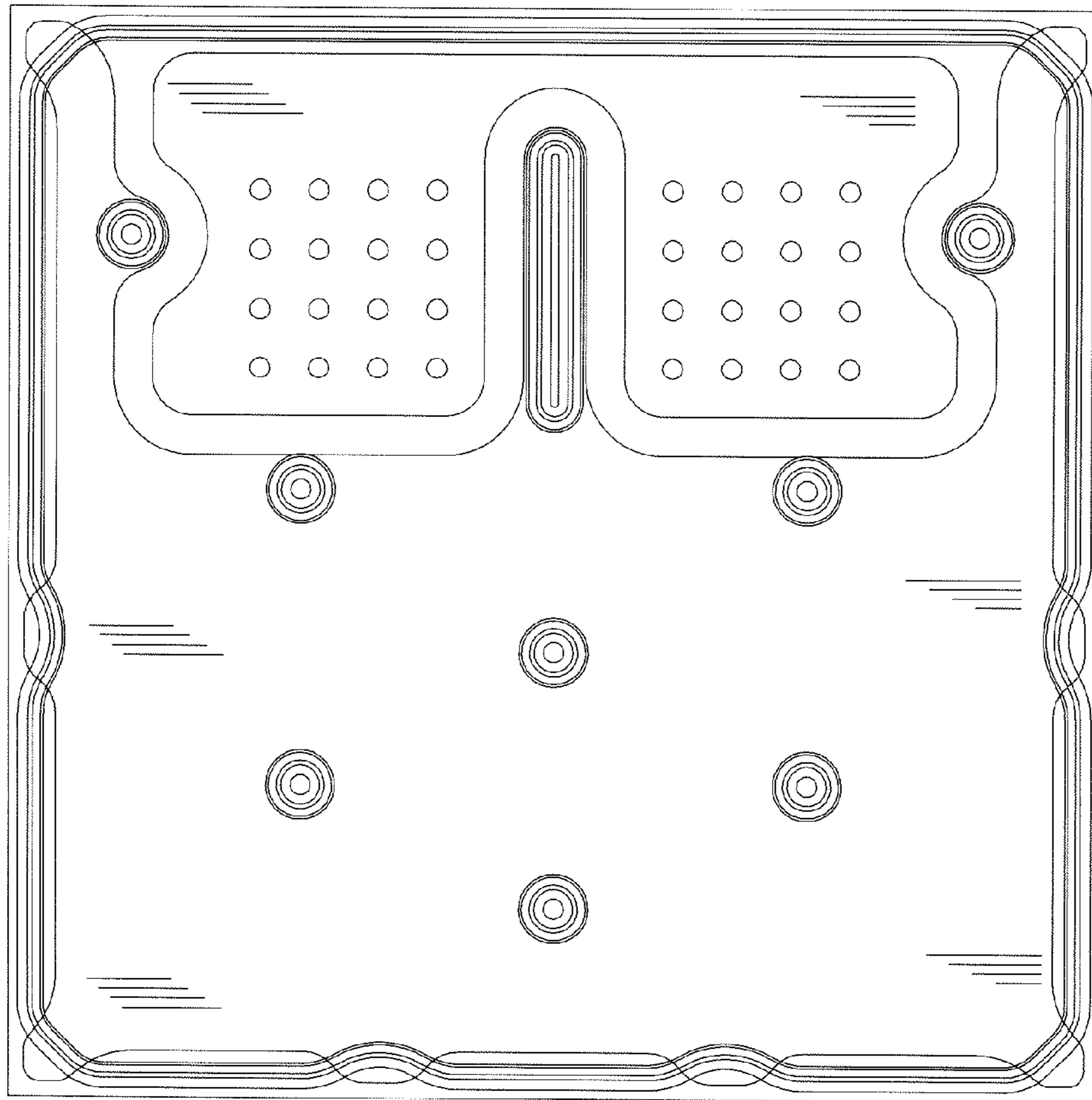


FIG. 3

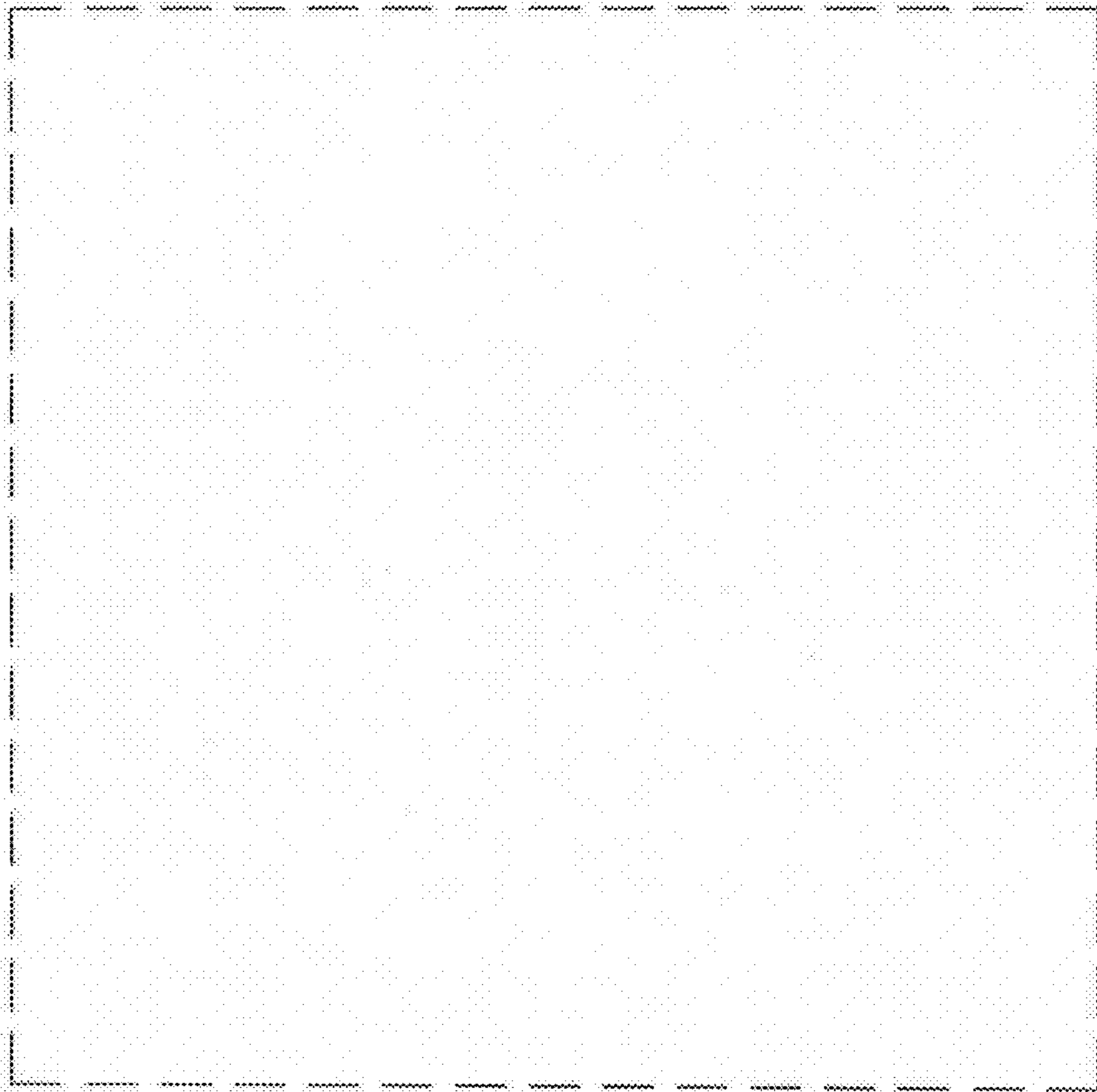


FIG. 4



FIG. 5

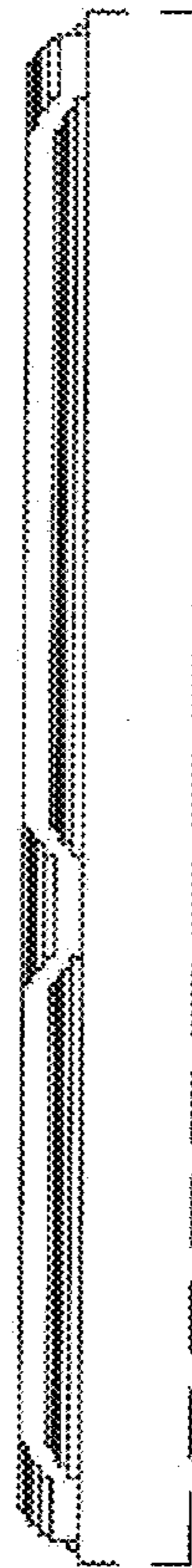


FIG. 6



FIG. 7

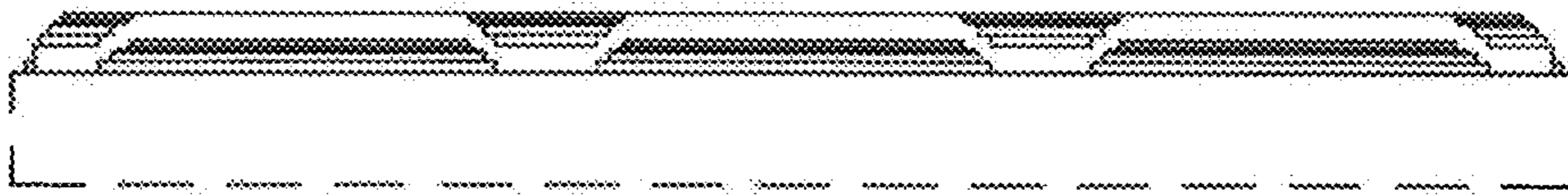


FIG. 8

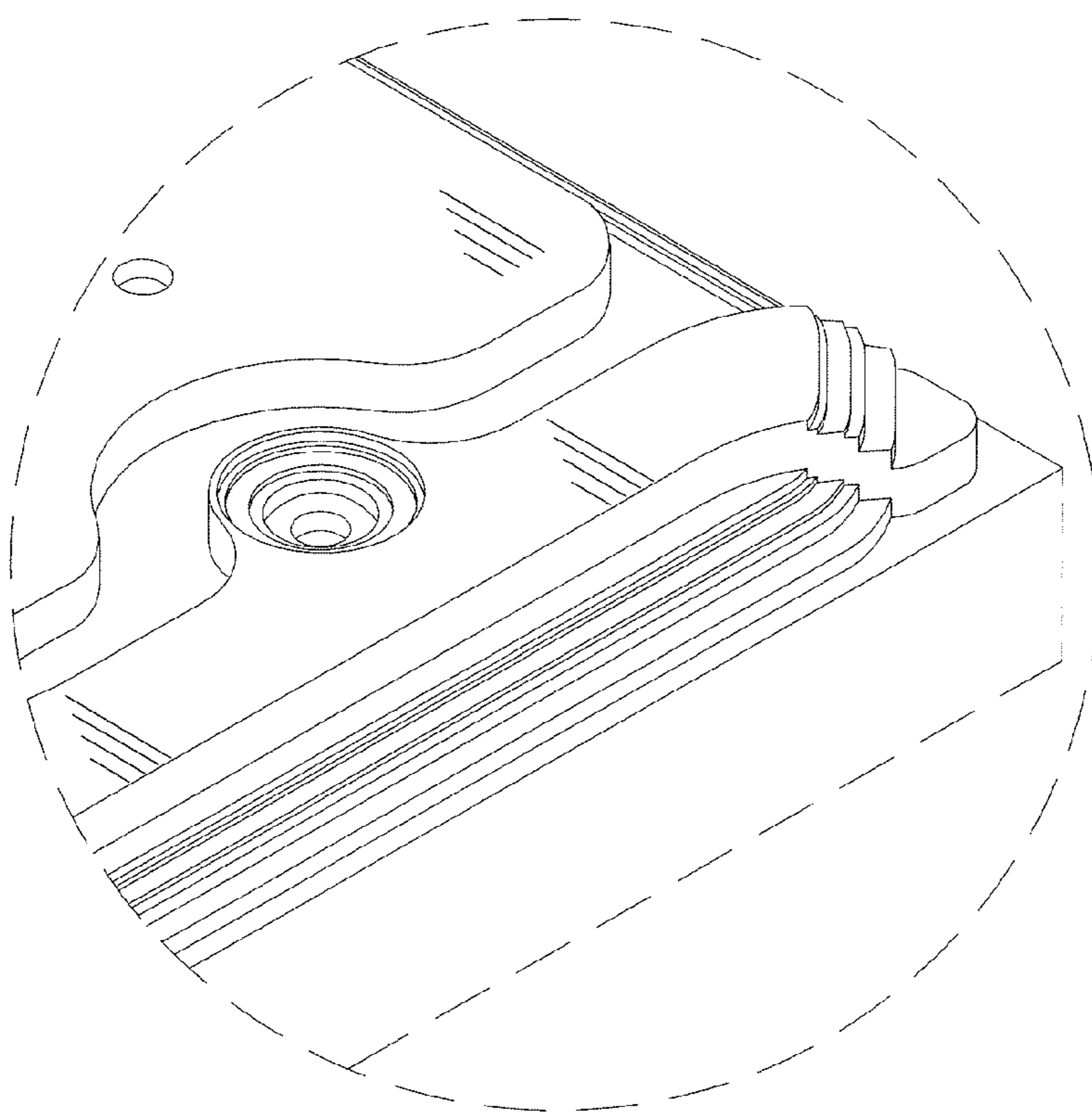


FIG. 9

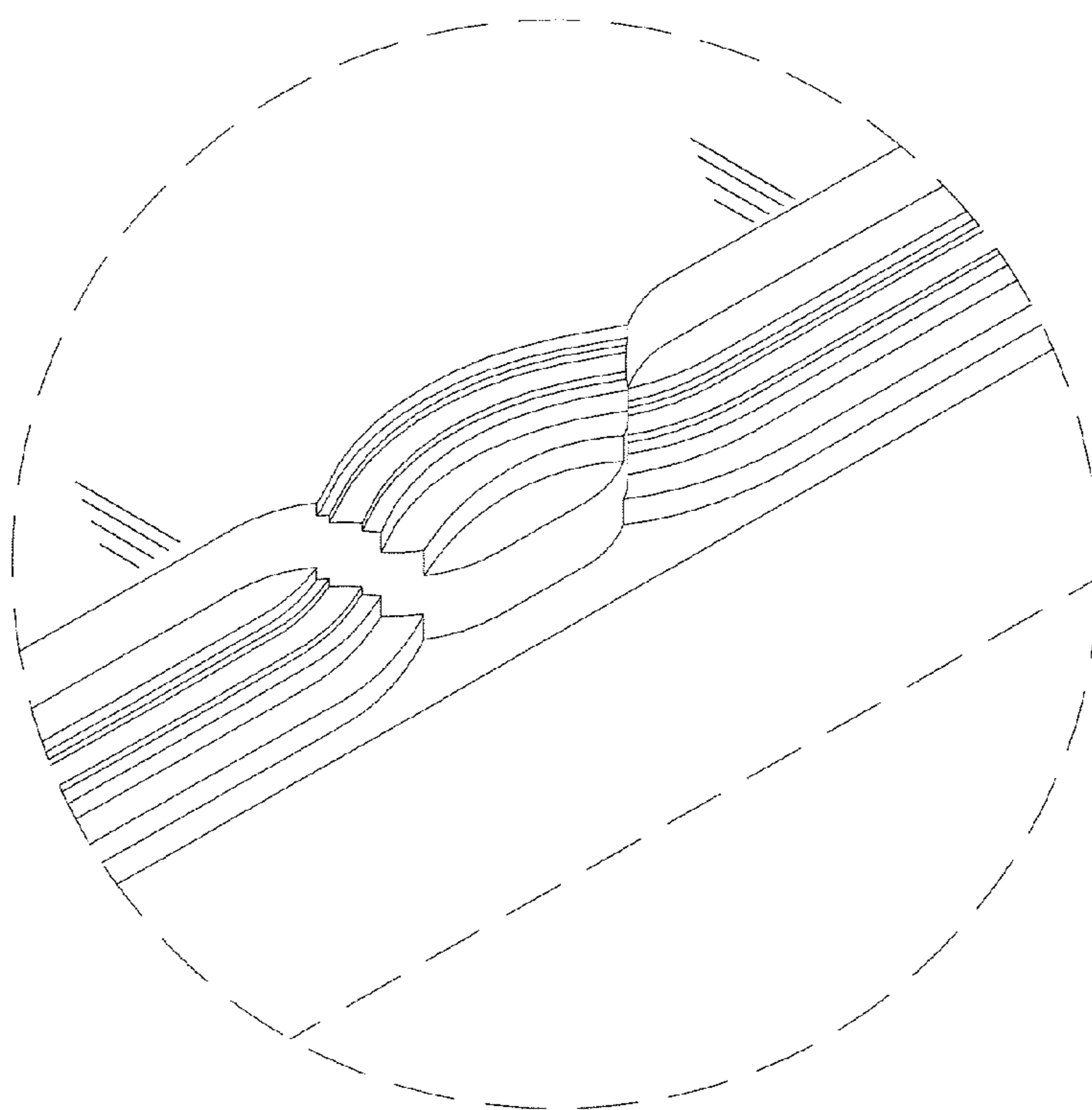
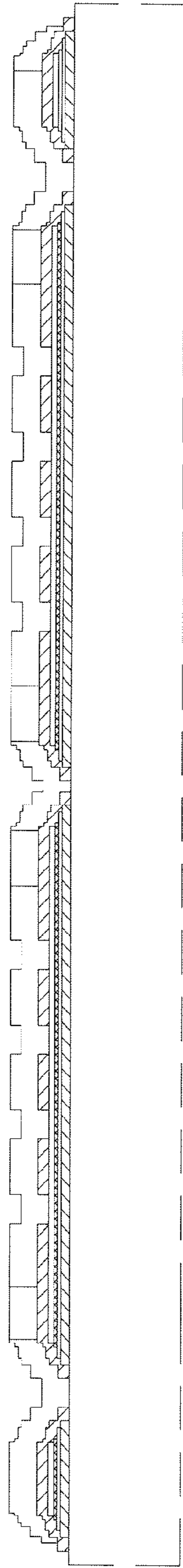


FIG. 10



11-11'

FIG. 11