



US00D752521S

(12) **United States Design Patent**  
**Place**

(10) **Patent No.:** **US D752,521 S**  
(45) **Date of Patent:** **\*\* Mar. 29, 2016**

(54) **JUMP CABLE**

(71) Applicant: **Design Pool Limited**, Hong Kong (CN)

(72) Inventor: **Christopher Peter Place**, Hong Kong (CN)

(73) Assignee: **Design Pool Limited**, Hong Kong (CN)

(\*\*) Term: **14 Years**

(21) Appl. No.: **29/492,714**

(22) Filed: **Jun. 2, 2014**

(30) **Foreign Application Priority Data**

Dec. 18, 2013 (HK) ..... 1302266.0

(51) **LOC (10) Cl.** ..... **13-03**

(52) **U.S. Cl.**  
USPC ..... **D13/153**

(58) **Field of Classification Search**  
USPC ..... D13/152–155, 139.1–139.7,  
D13/137.1–137.4, 133, 110, 149, 108, 170;  
D10/72; D8/356, 358; 211/26;  
320/111, 170; 242/378.1; 438/367,  
438/501; D14/434, 358, 433  
CPC ..... H05K 7/183; H02J 7/0042; H02G 11/02;  
H01L 29/66272; H01L 21/00; Y02E 60/12  
See application file for complete search history.

(56) **References Cited**

**U.S. PATENT DOCUMENTS**

3,853,285 A \* 12/1974 Woodring ..... 242/378.1  
D264,447 S \* 5/1982 Henkels ..... D10/72  
D316,666 S \* 5/1991 Ishimaru ..... D8/358  
5,531,333 A \* 7/1996 Vara ..... 211/26  
5,923,147 A \* 7/1999 Martensson ..... 320/111  
6,328,243 B1 \* 12/2001 Yamamoto ..... 242/378.1

D488,448 S \* 4/2004 Ranger ..... D13/154  
D505,859 S \* 6/2005 Suzuki ..... D8/358  
7,029,312 B2 \* 4/2006 Reid ..... 439/367  
D522,967 S \* 6/2006 St. Clair ..... D13/139.7  
7,077,693 B1 \* 7/2006 Symons ..... 439/501  
D542,123 S \* 5/2007 Symons ..... D8/356  
D556,019 S \* 11/2007 Symons ..... D8/356  
D561,565 S \* 2/2008 Mitchell ..... D8/358  
D561,762 S \* 2/2008 Mori ..... D14/434  
D569,233 S \* 5/2008 Kishimoto et al. .... D8/358  
D591,678 S \* 5/2009 Whitley et al. .... D13/133  
D599,737 S \* 9/2009 Amidei et al. .... D13/110  
D599,738 S \* 9/2009 Amidei et al. .... D13/110  
D613,697 S \* 4/2010 Symons ..... D13/149  
D618,614 S \* 6/2010 Symons ..... D13/108

(Continued)

*Primary Examiner* — Holly Baynham

*Assistant Examiner* — Rhea Shields

(74) *Attorney, Agent, or Firm* — Miles & Stockbridge P.C.

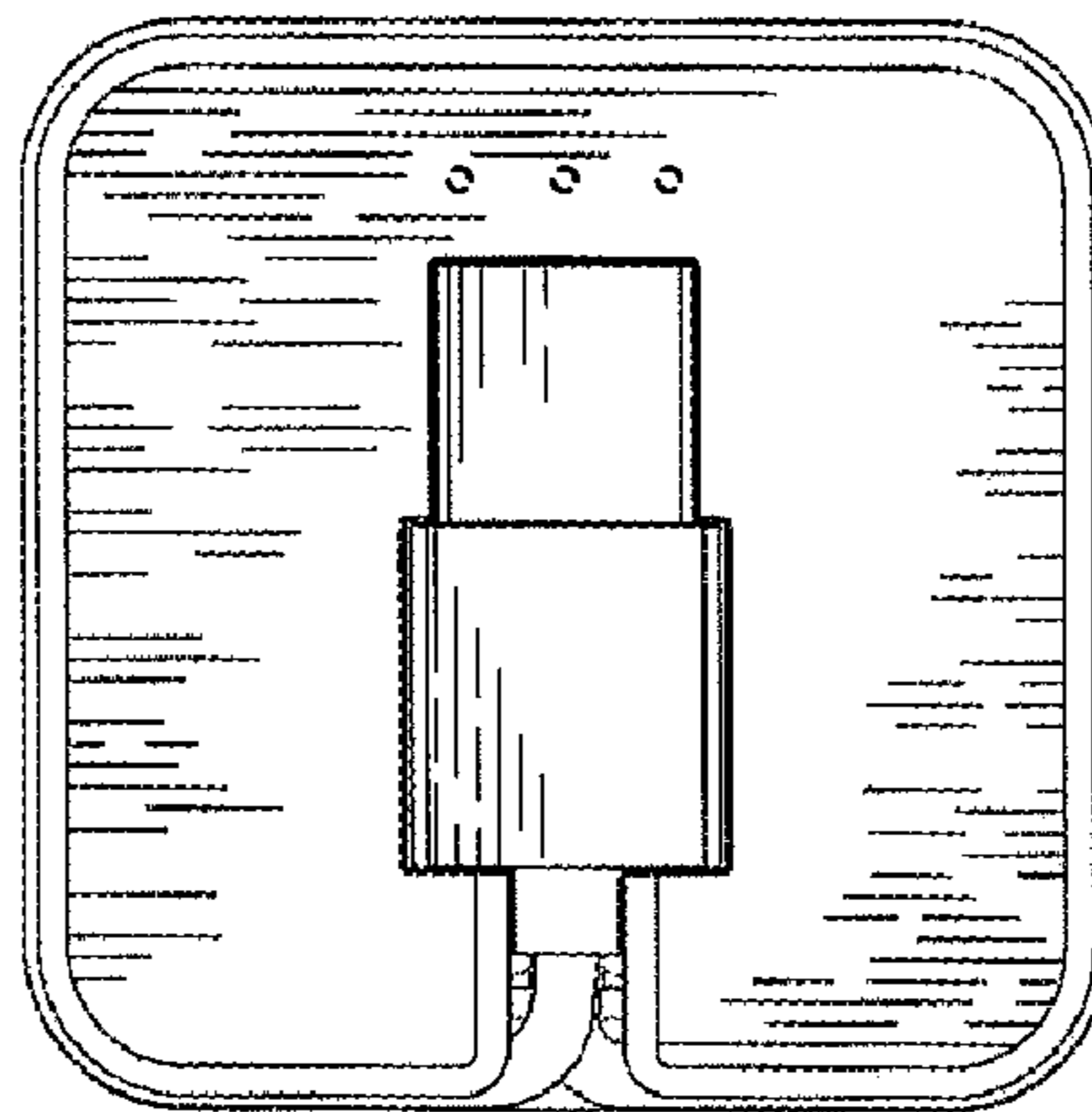
(57) **CLAIM**

The ornamental design for a jump cable, as shown and described.

**DESCRIPTION**

FIG. 1 is a bottom view of the design for a jump cable.  
FIG. 2 is a top view of the design for a jump cable.  
FIG. 3 is a right edge view of the design for a jump cable.  
FIG. 4 is a left edge view of the design for a jump cable.  
FIG. 5 is a back edge view of the design for a jump cable.  
FIG. 6 is a front edge view of the design for a jump cable.  
FIG. 7 is a front perspective view of the design for a jump cable; and,  
FIG. 8 is a front view showing front and back cables in their extended position of the design for a jump cable.  
In the drawings, the broken lines are for the purpose of illustrating environment only and form no part of the claimed design.

**1 Claim, 5 Drawing Sheets**



(56)

**References Cited**

U.S. PATENT DOCUMENTS

7,746,029	B2 *	6/2010	Toya	.....	320/107	D654,879	S *	2/2012	Li et al.	.....	D13/170
D624,020	S *	9/2010	Kovacik et al.	.....	D13/137.4	D656,936	S *	4/2012	Saunders	.....	D14/358
D628,152	S *	11/2010	Fujii et al.	.....	D13/108	D675,563	S *	2/2013	Hoehn et al.	.....	D13/110
D648,685	S *	11/2011	Symons	.....	D13/155	D682,835	S *	5/2013	Daniel	.....	D14/433
						D718,716	S *	12/2014	Barbu et al.	.....	D13/110
						D719,092	S *	12/2014	Huang	.....	D13/110
						2007/0020993	A1 *	1/2007	Symons	.....	439/501

\* cited by examiner

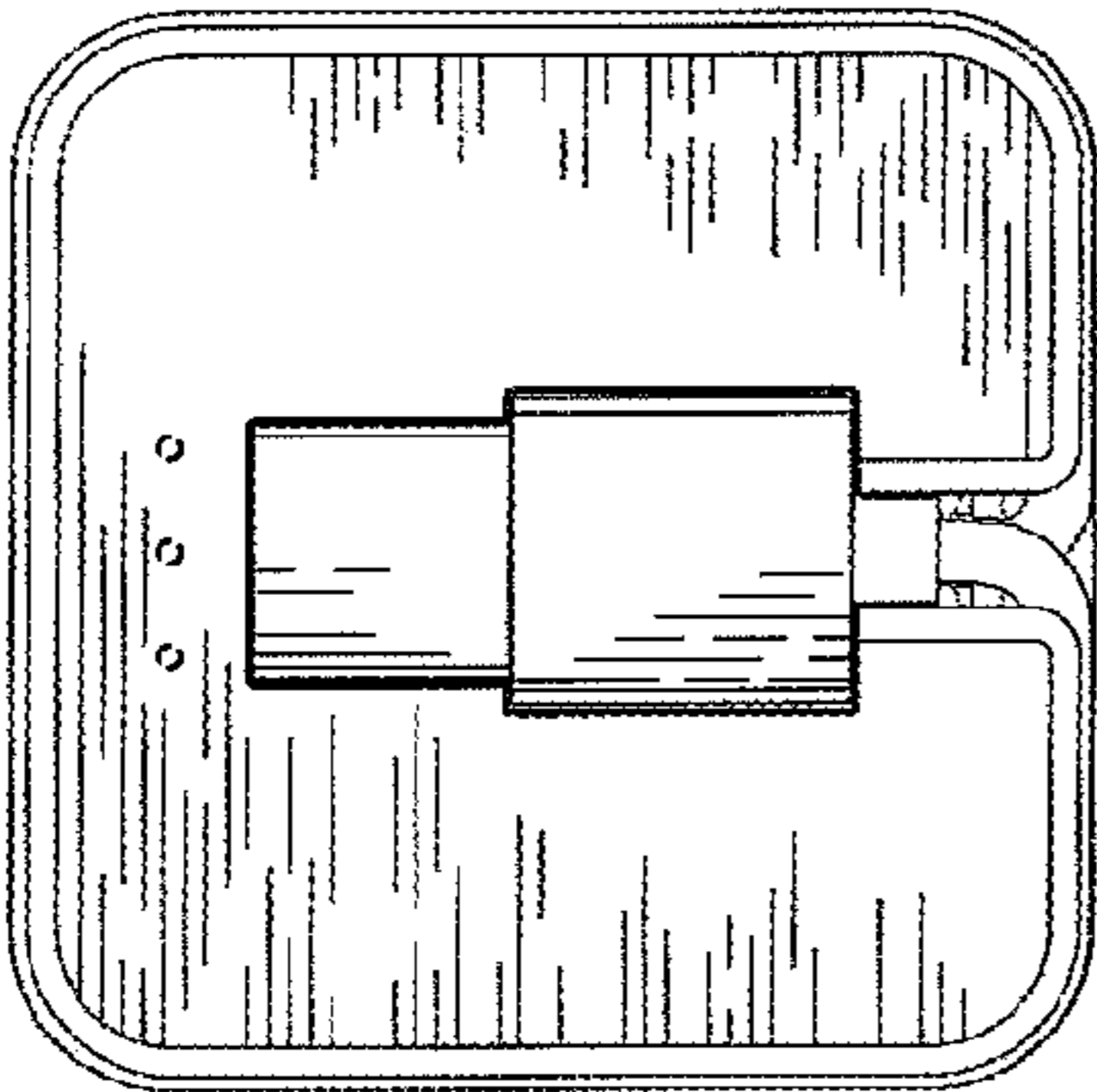


Fig.1

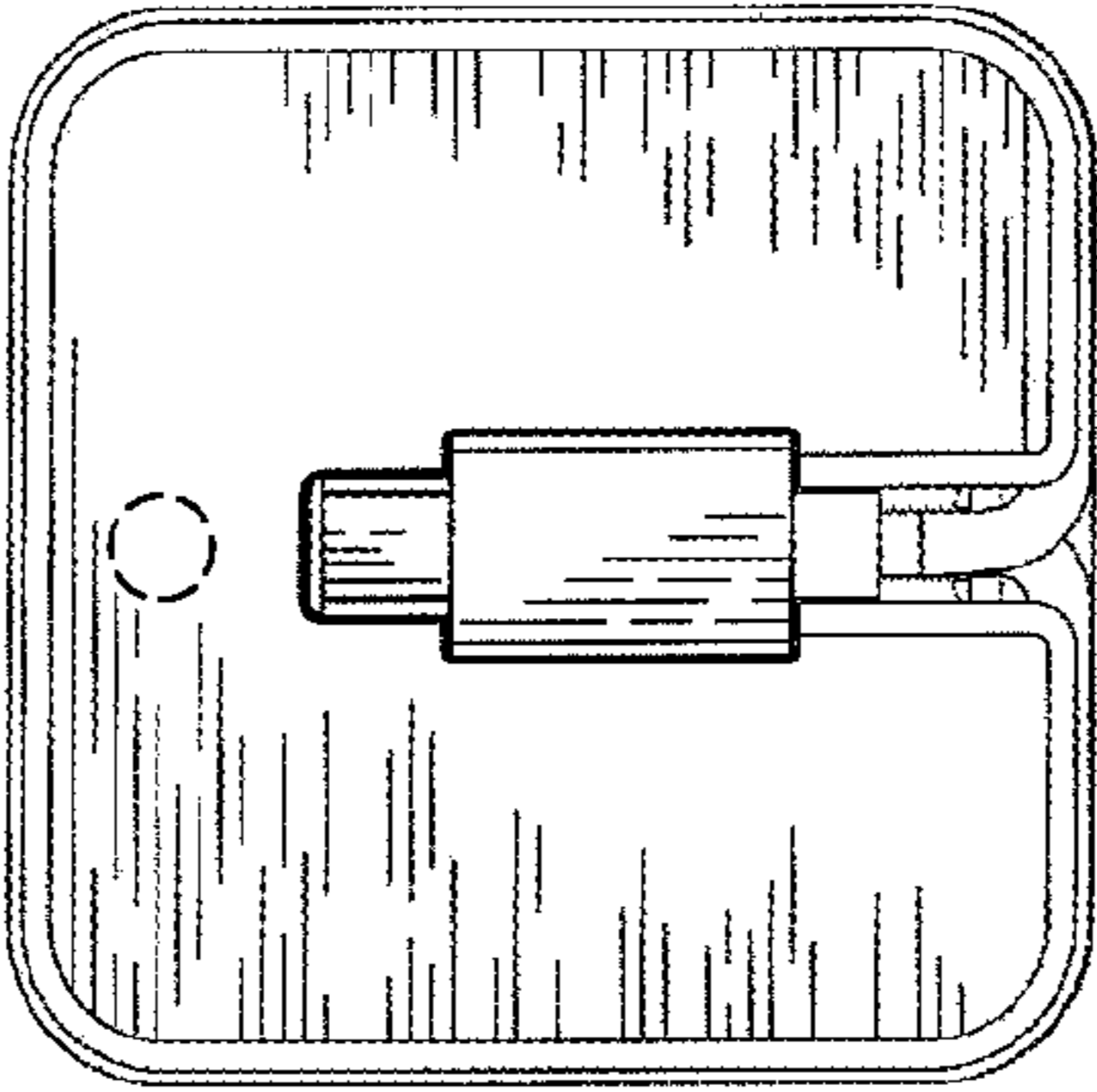


Fig.2

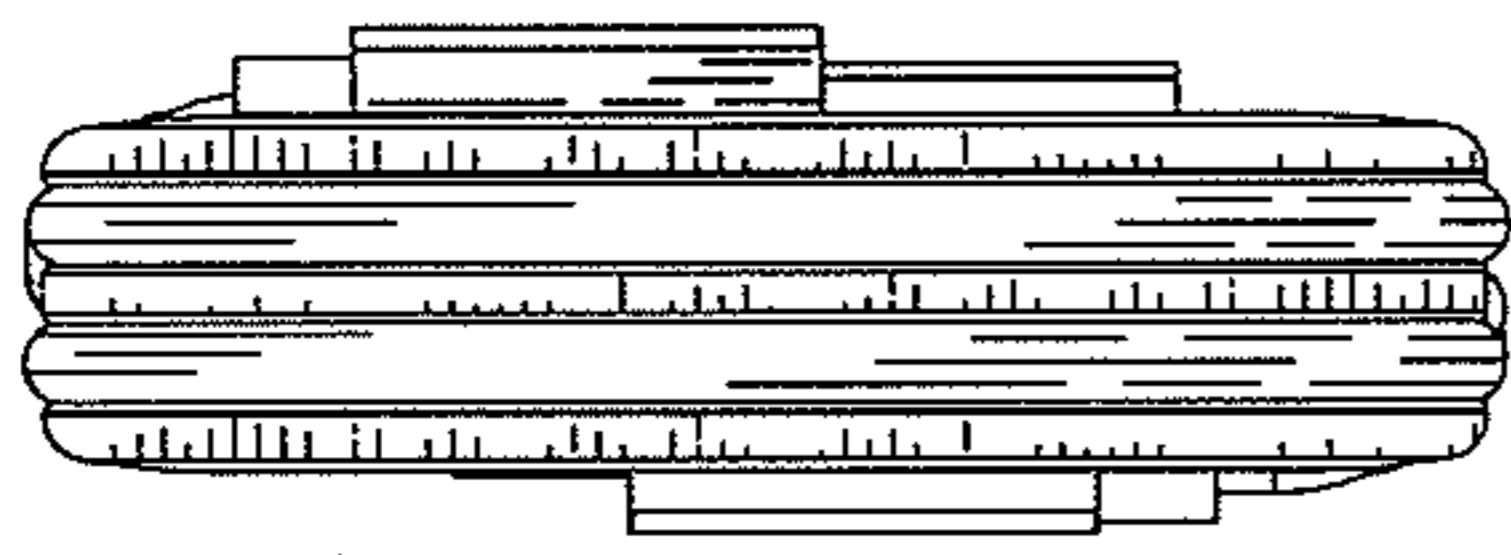


Fig. 3

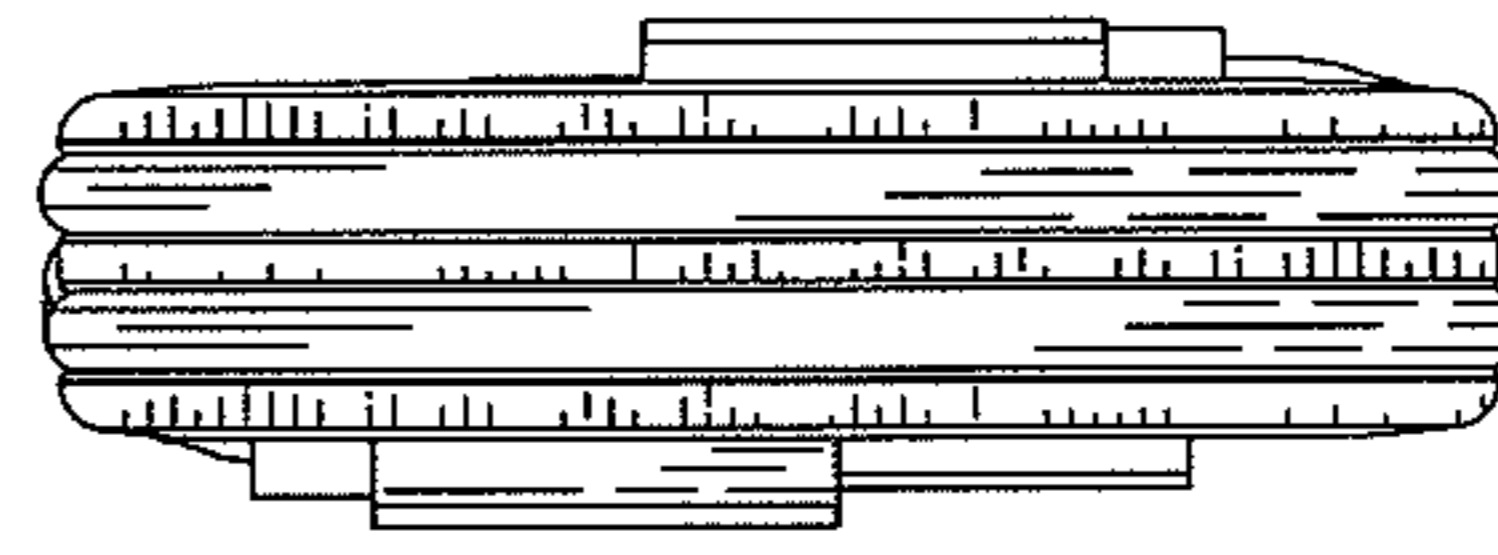


Fig. 4

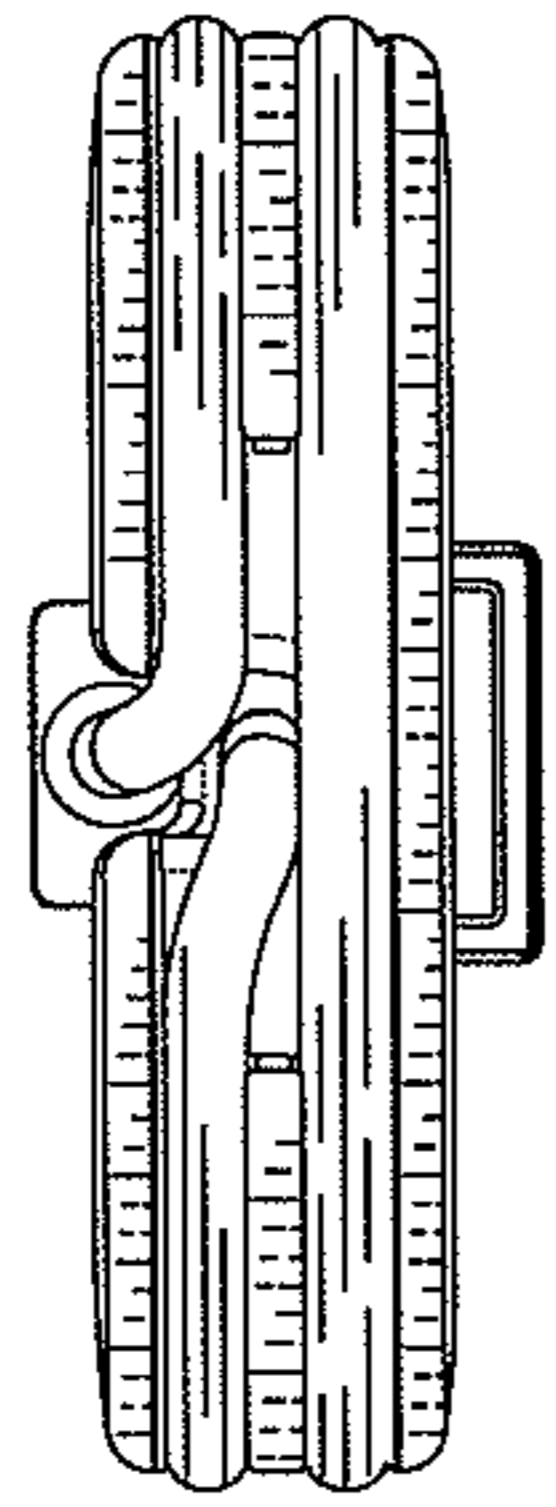


Fig. 5

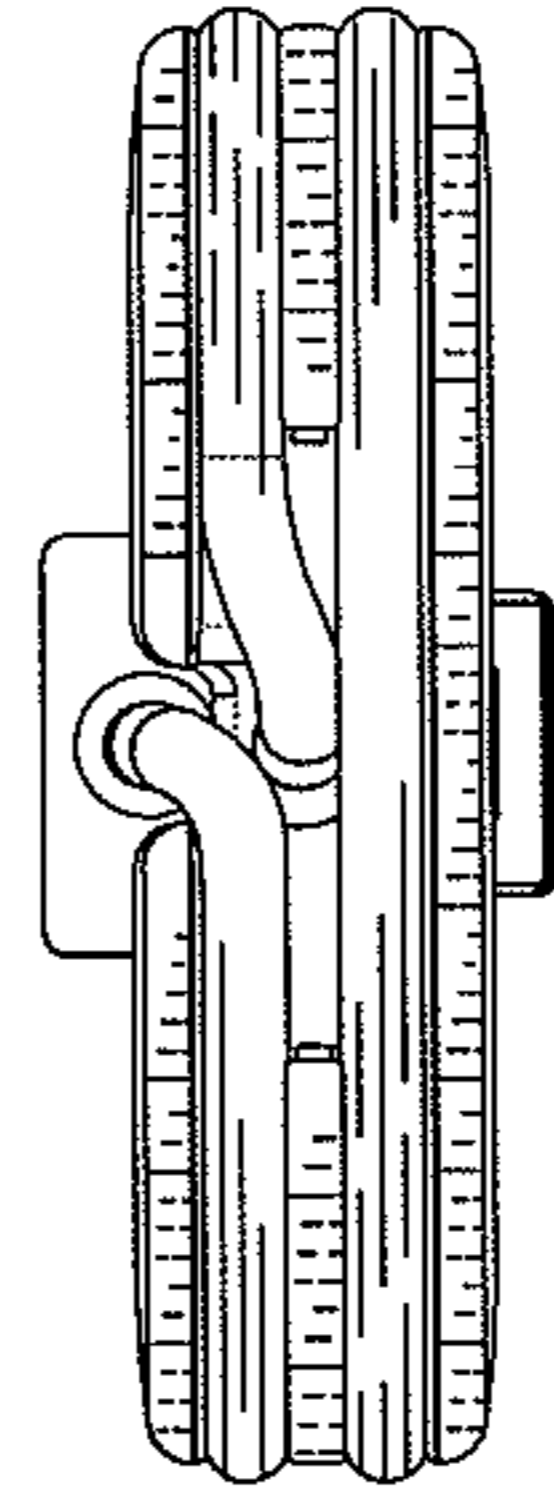


Fig. 6

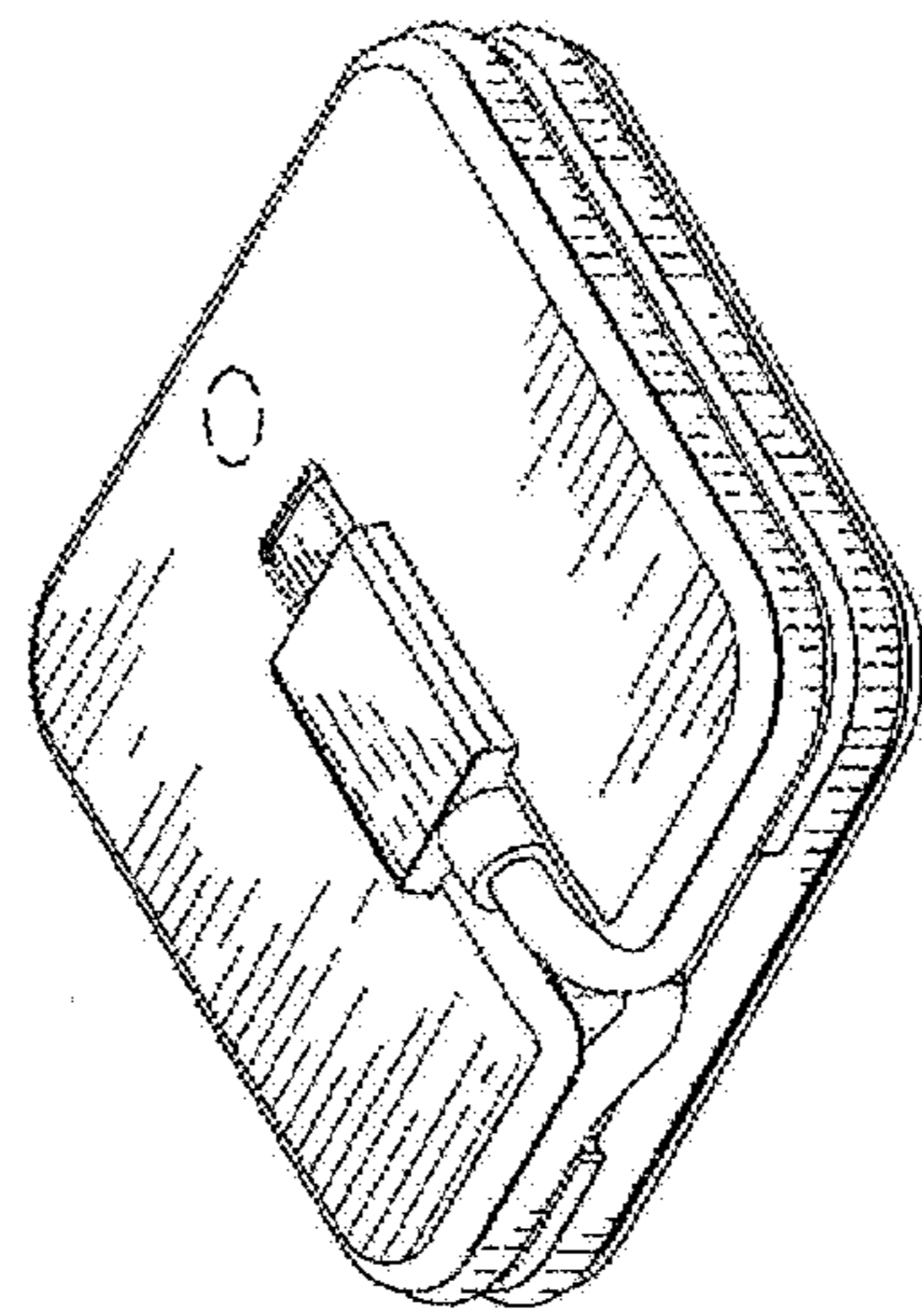


Fig.7

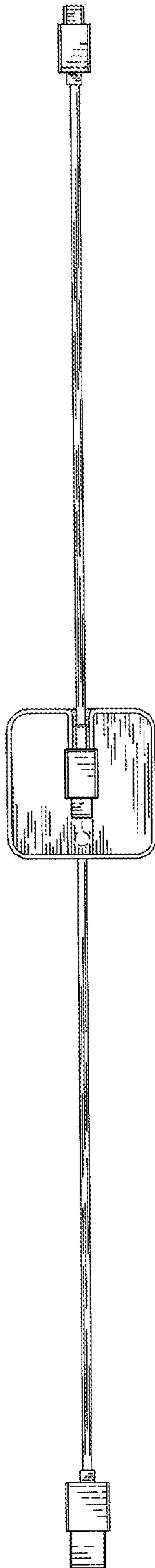


Fig. 8