



US00D752520S

(12) **United States Design Patent**
Hagarty

(10) **Patent No.:** **US D752,520 S**
(45) **Date of Patent:** **** Mar. 29, 2016**

(54) **JUNCTION BOX WITH CABLE KEEPERS**

(56) **References Cited**

(71) Applicant: **RANDL Industries, Inc.**, Spokane Valley, WA (US)

(72) Inventor: **Robert J. Hagarty**, Spokane, WA (US)

(73) Assignee: **RANDL Industries, Inc.**, Spokane Valley, WA (US)

(**) Term: **15 Years**

(21) Appl. No.: **29/534,245**

(22) Filed: **Jul. 27, 2015**

U.S. PATENT DOCUMENTS

3,023,920	A *	3/1962	Cook	H02G 3/123 220/3.6
4,790,505	A	12/1988	Rose	
D342,938	S	1/1994	Cheatham	
D379,622	S	6/1997	Lynn	
6,066,803	A	5/2000	Hagarty	
6,103,972	A	8/2000	Hagarty	
6,379,166	B1	4/2002	Hagarty	
6,384,334	B1	5/2002	Webb	
D468,697	S *	1/2003	Straub, Jr.	D13/152

(Continued)

OTHER PUBLICATIONS

Hagarty, R.J., "Plaster Ring," U.S. Appl. No. 29/447,297, filed Mar. 1, 2013.

(Continued)

Related U.S. Application Data

(60) Division of application No. 29/504,195, filed on Oct. 2, 2014, now Pat. No. Des. 735,142, which is a continuation-in-part of application No. 29/491,788, filed on May 23, 2014, now Pat. No. Des. 723,473, which is a continuation-in-part of application No. 29/486,897, filed on Apr. 3, 2014, now Pat. No. Des. 722,977, and a continuation-in-part of application No. 29/487,306, filed on Apr. 7, 2014, now Pat. No. Des. 722,978.

(51) **LOC (10) Cl.** **13-03**

(52) **U.S. Cl.**
USPC **D13/152**

(58) **Field of Classification Search**
USPC D13/152, 153, 155, 156, 137.1, 137.4,
D13/139.3, 139.2, 133, 184; 220/3.2, 3.3,
220/3.4-3.9, 3.92, 3.94; 174/58, 50.56, 51;
439/675, 668, 623
CPC H02G 3/123

See application file for complete search history.

Primary Examiner — Holly Baynham

Assistant Examiner — Rhea Shields

(74) *Attorney, Agent, or Firm* — Christensen O'Connor Johnson Kindness PLLC

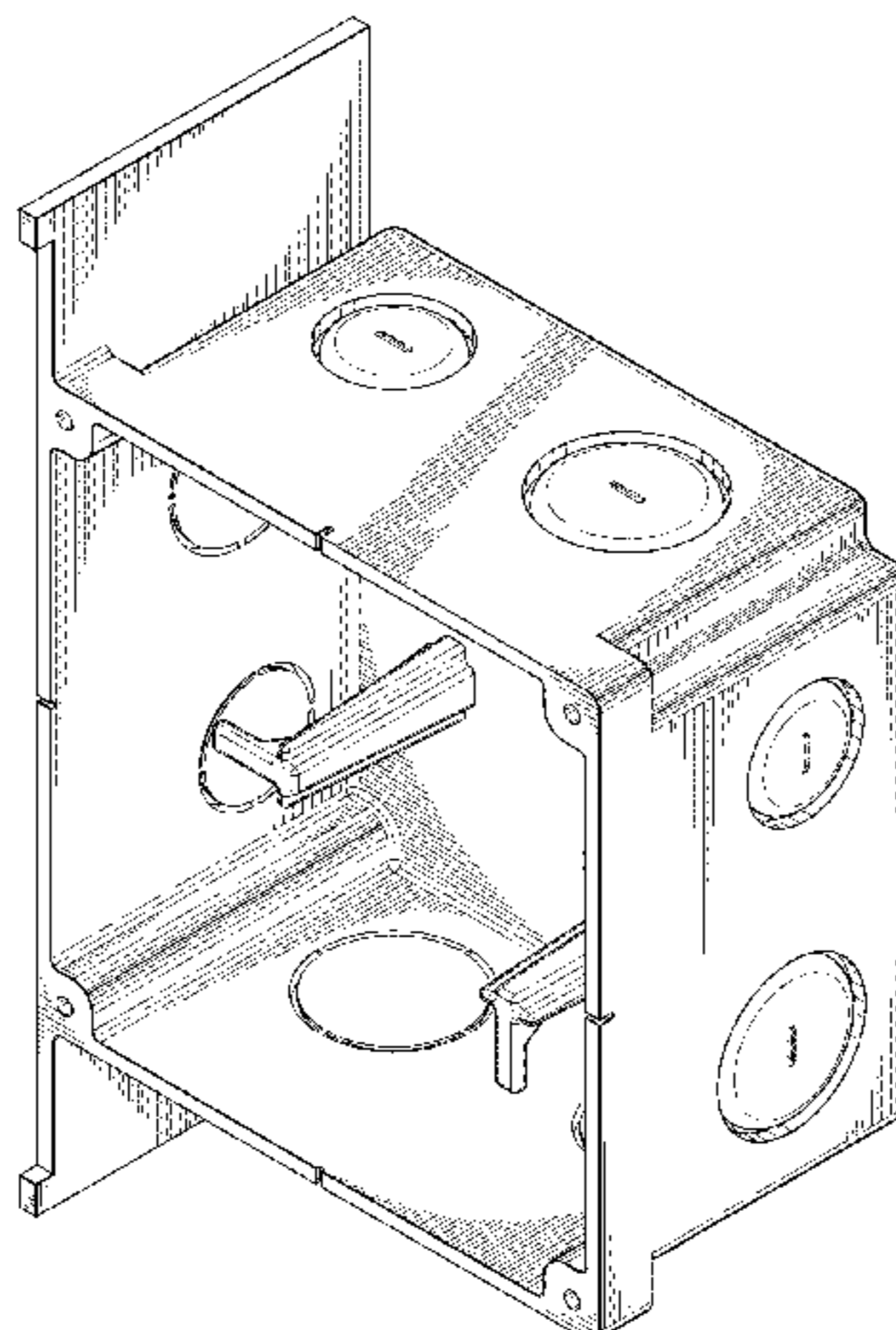
(57) **CLAIM**

The ornamental design for a junction box with cable keepers, as shown.

DESCRIPTION

FIG. 1 is a perspective view of a junction box with cable keepers in accordance with the present design;
FIG. 2 is a front view of the junction box with cable keepers shown in FIG. 1;
FIG. 3 is a rear view of the junction box with cable keepers shown in FIG. 1;
FIG. 4 is a plan view of the junction box with cable keepers shown in FIG. 1;
FIG. 5 is a bottom view of the junction box with cable keepers shown in FIG. 1
FIG. 6 is a left side view of the junction box with cable keepers shown in FIG. 1; and,
FIG. 7 is a right side view of the junction box with cable keepers shown in FIG. 1.

1 Claim, 6 Drawing Sheets



(56)

References Cited

U.S. PATENT DOCUMENTS

D493,695 S 8/2004 Wengrower
6,858,802 B2 2/2005 Hagarty
D539,751 S * 4/2007 Kiely D13/152
D540,654 S 4/2007 Aubert Capella
7,271,336 B2 9/2007 Dinh
D555,108 S 11/2007 Strong
D595,659 S * 7/2009 Maurer D13/152
D601,096 S * 9/2009 Vigorito D13/152
8,253,040 B2 8/2012 Hopkins
D676,814 S * 2/2013 Paul D13/152
D677,634 S * 3/2013 Korcz D13/152

D679,252 S * 4/2013 Wagner D13/152
D684,935 S * 6/2013 DeCosta D13/152
D698,737 S 2/2014 Hagarty
D702,198 S * 4/2014 Gretz D13/152
D707,635 S 6/2014 Hagarty
D719,528 S 12/2014 Hagarty

OTHER PUBLICATIONS

Hagarty, R.J., "Plaster Ring With Wide Flange," U.S. Appl. No. 29/471,962, filed Nov. 6, 2013.

Hagarty, R.J., "Junction Box With Cable Management," U.S. Appl. No. 29/486,897, filed Apr. 3, 2014.

* cited by examiner

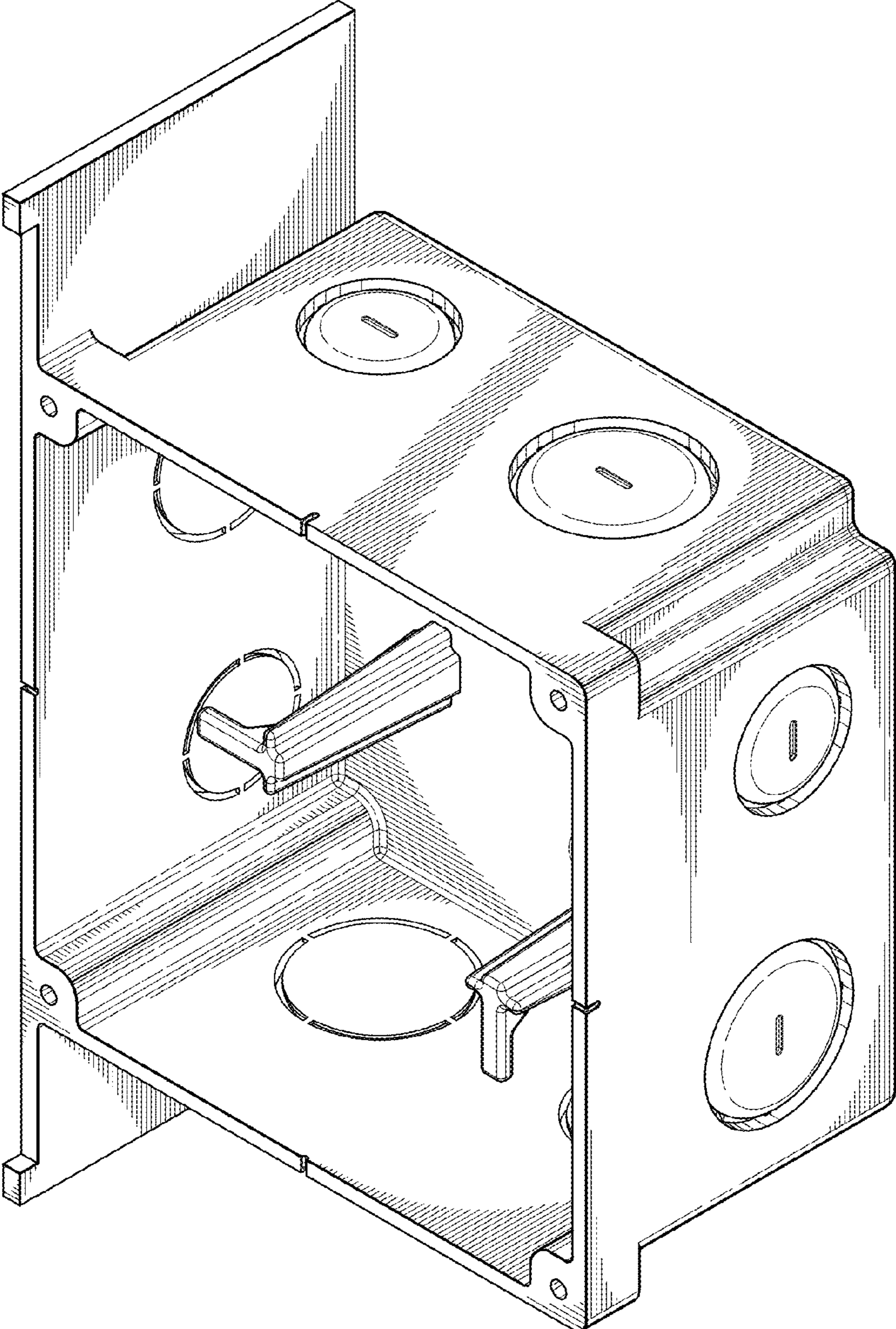


Fig. 1.

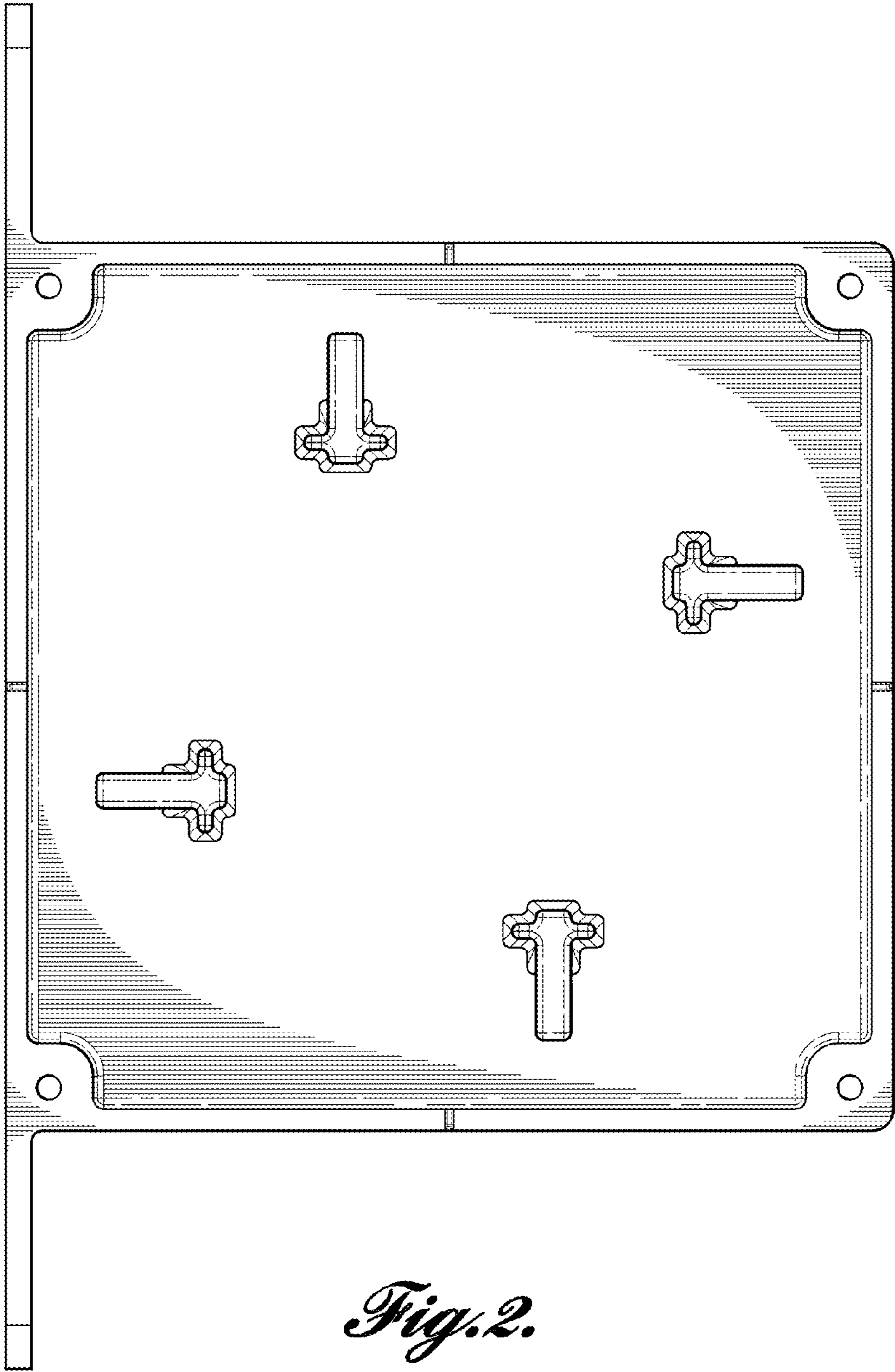


Fig. 2.

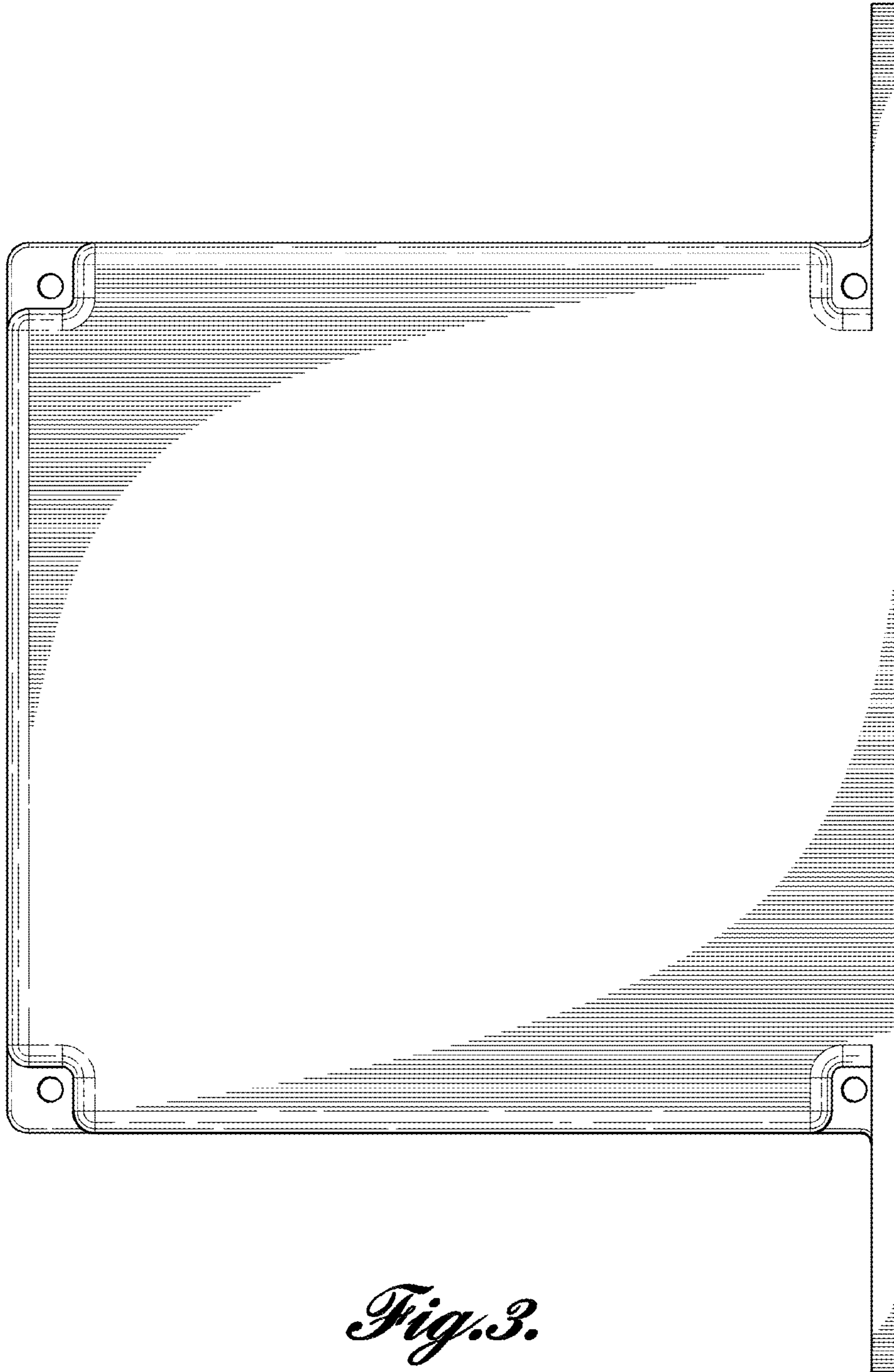


Fig. 3.

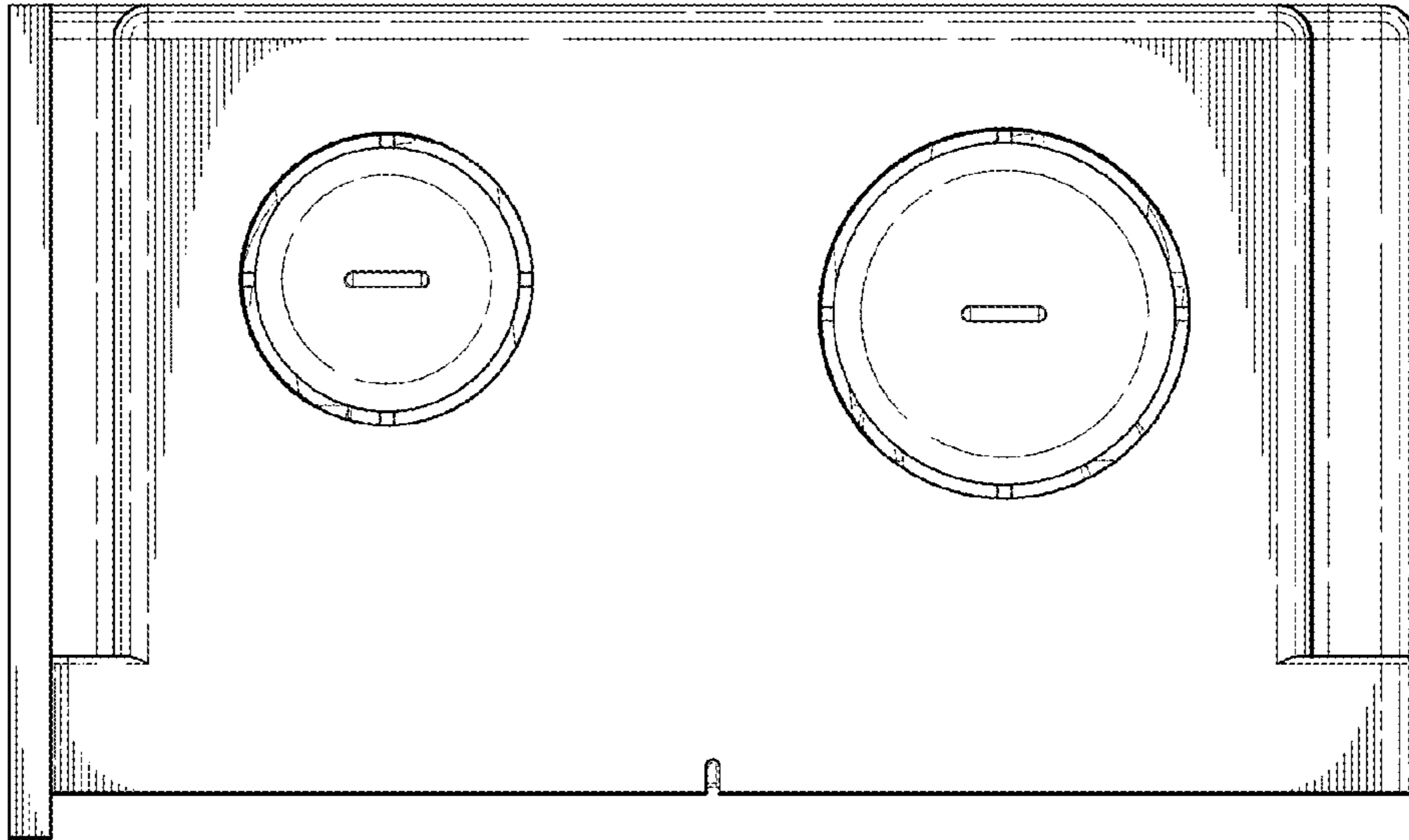


Fig. 4.

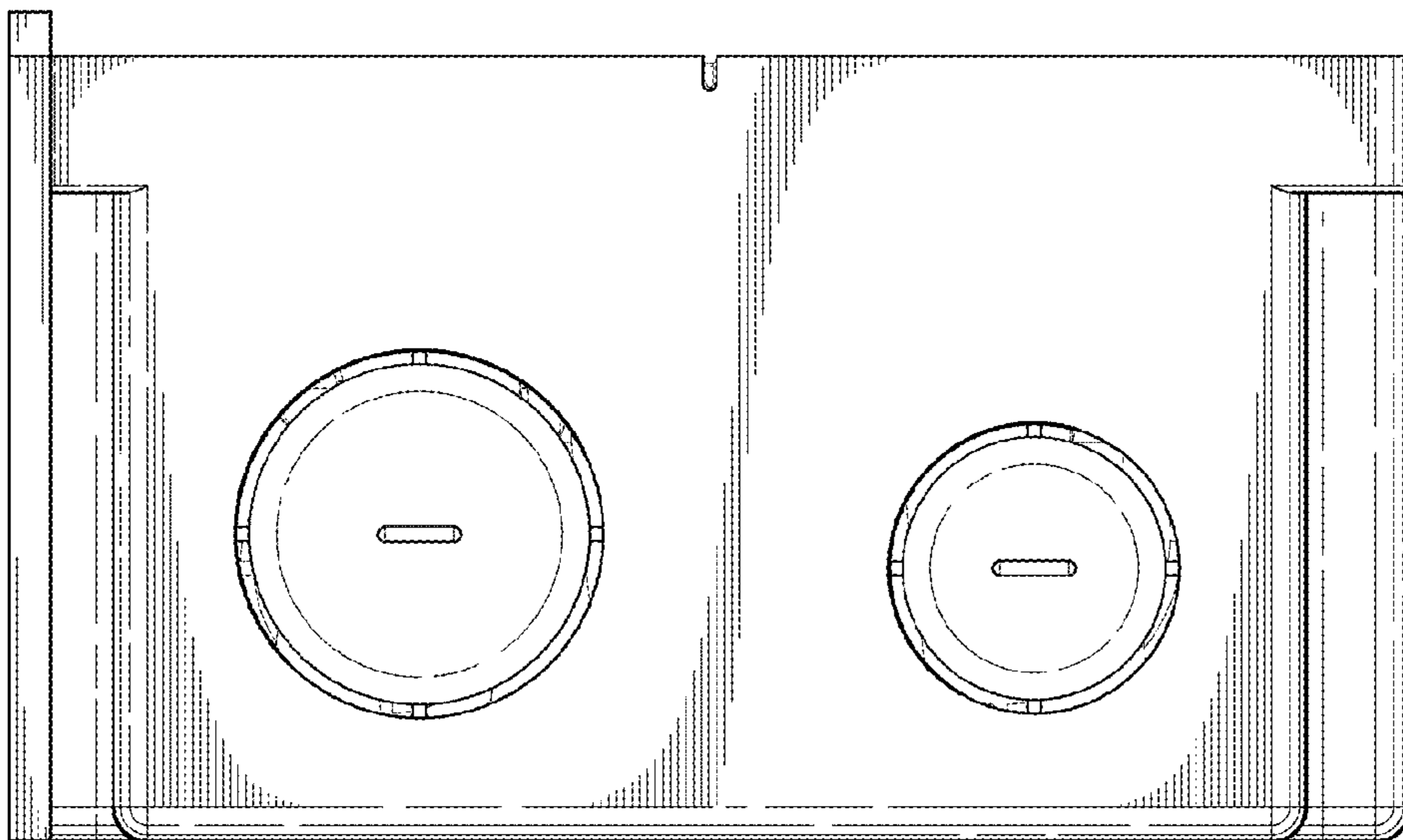


Fig. 5.

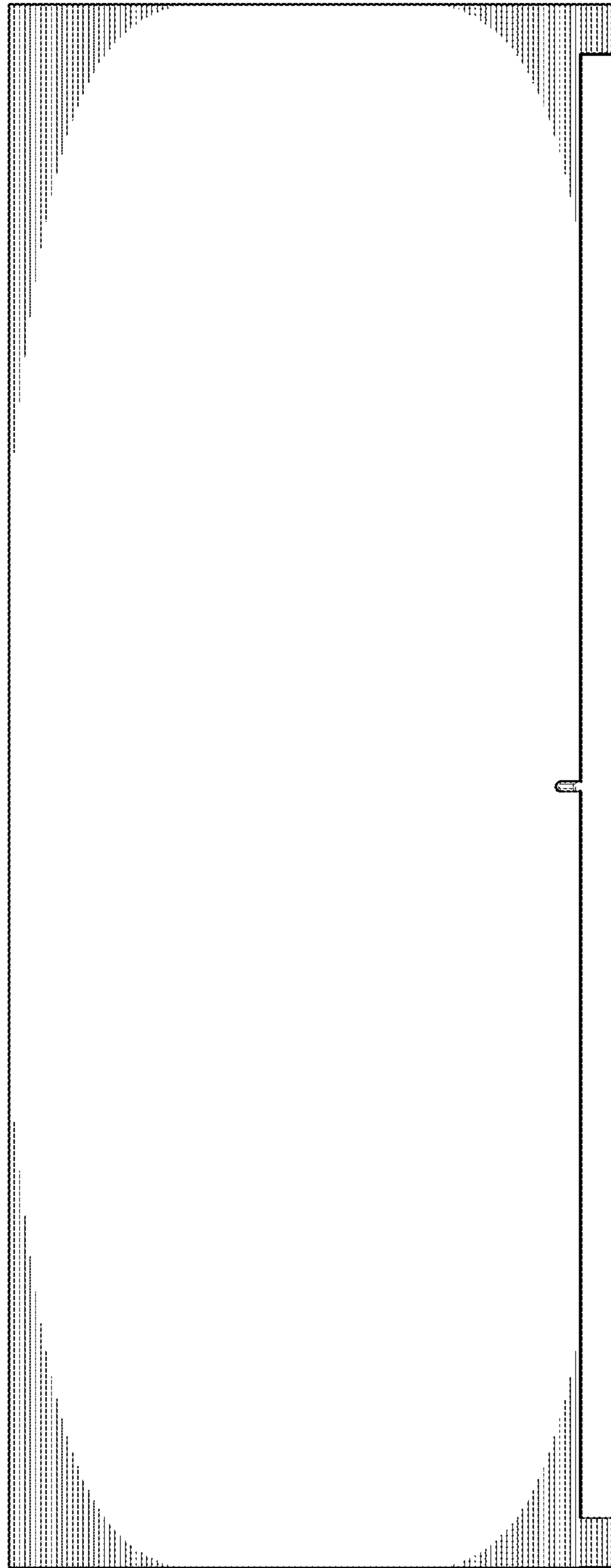


Fig. 6.

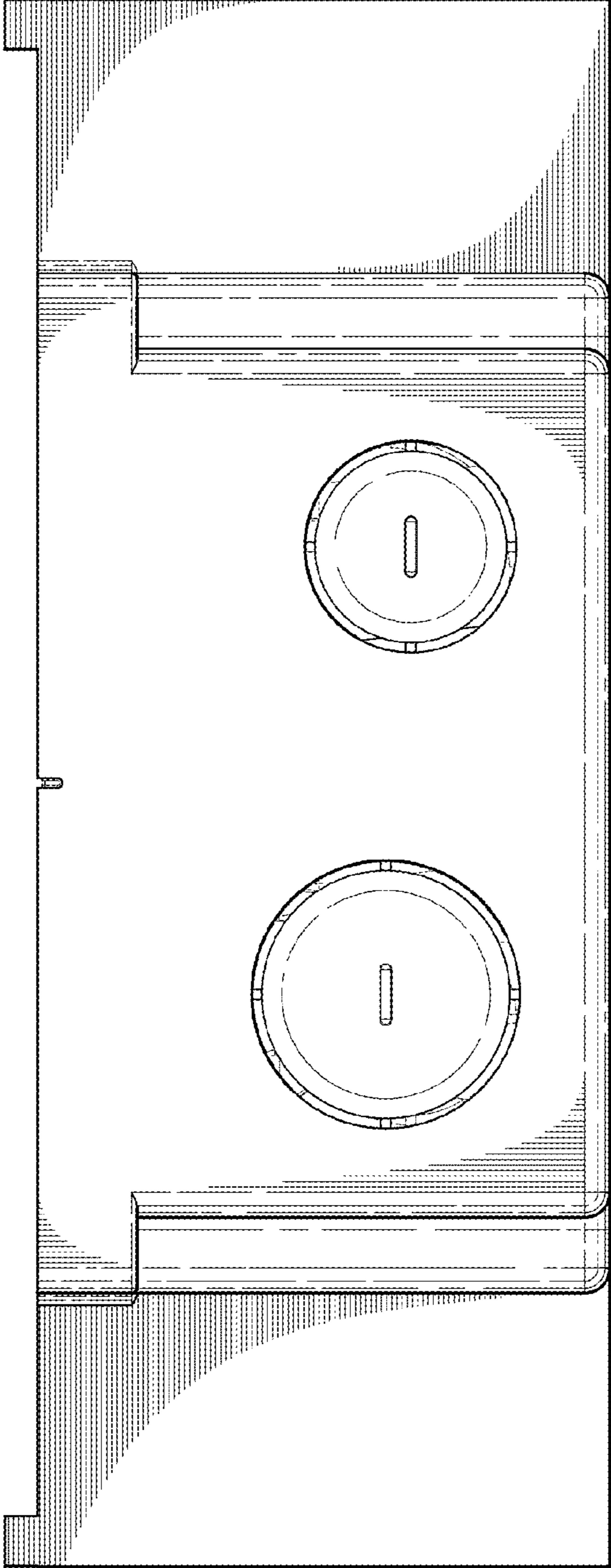


Fig. 7