



US00D752517S

(12) **United States Design Patent**
Scott et al.

(10) **Patent No.:** **US D752,517 S**
(45) **Date of Patent:** **** Mar. 29, 2016**

(54) **DESKTOP RECEPTACLE**

(71) Applicant: **Group Dekko, Inc.**, Garrett, IN (US)

(72) Inventors: **Sean J. Scott**, Chicago, IL (US); **Jillian Pai**, Chicago, IL (US)

(73) Assignee: **Group Dekko, Inc.**, Garrett, IN (US)

(**) Term: **14 Years**

(21) Appl. No.: **29/497,707**

(22) Filed: **Jul. 28, 2014**

(51) **LOC (10) Cl.** **13-03**

(52) **U.S. Cl.**
USPC **D13/139.4**; D19/75

(58) **Field of Classification Search**
USPC D19/75, 77, 78, 79, 80, 81, 82, 83, 84,
D19/85; D3/201, 273, 274, 905; D9/432;
D13/139.1, 139.4
CPC .. A47B 21/06; B43M 99/001; B43M 99/003;
B43M 99/004; B43M 99/005; B43M 99/006;
B43M 99/007; B43M 99/008; B43M 99/009;
A45C 11/34
See application file for complete search history.

D437,827 S * 2/2001 Gershfeld D13/139.4
D460,736 S * 7/2002 Pincek D13/139.4
D468,701 S * 1/2003 Byrne D13/156
6,979,209 B2 * 12/2005 Griepentrog H01R 13/447
174/57
D513,871 S * 1/2006 Rosine D3/273
D531,798 S * 11/2006 Ringo D3/273
D556,450 S * 12/2007 Bentley D3/276
7,614,889 B1 * 11/2009 Black H01R 13/5213
174/67
D615,858 S * 5/2010 Prevost D9/415
D639,244 S * 6/2011 Byrne D13/139.4
8,082,856 B1 * 12/2011 Hayden A47B 21/06
108/25
8,295,036 B2 * 10/2012 Byrne H01R 25/003
174/57
8,356,725 B2 * 1/2013 Kies A01G 9/02
220/212
D716,232 S * 10/2014 Byrne D13/139.4
9,112,298 B1 * 8/2015 Hayden H02G 3/185
2011/0155023 A1 * 6/2011 Krause A47B 17/00
108/26

* cited by examiner

Primary Examiner — Elizabeth Albert
(74) *Attorney, Agent, or Firm* — Taylor IP, P.C.

(57) **CLAIM**
The ornamental design for a desktop receptacle, as shown and described.

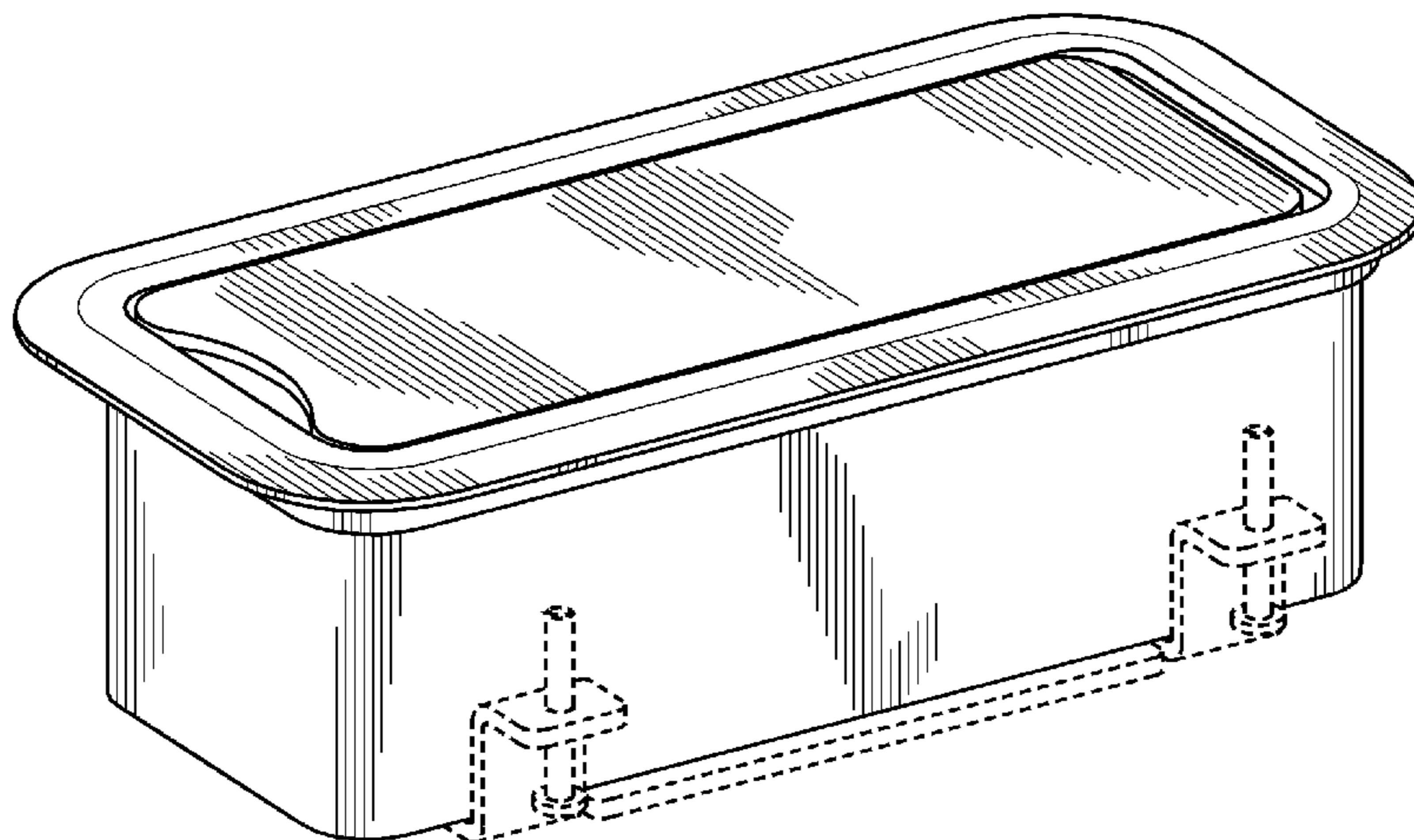
(56) **References Cited**
U.S. PATENT DOCUMENTS

D246,771 S * 12/1977 Daniels D11/143
5,575,668 A 11/1996 Timmerman
D389,307 S * 1/1998 Zimmerman D3/273
5,709,156 A * 1/1998 Gevaert A47B 21/06
108/26
D392,254 S * 3/1998 Gevaert D13/139.4
5,851,484 A * 12/1998 Forno A61L 2/26
206/363
6,028,267 A 2/2000 Byrne
D422,412 S * 4/2000 Greene D3/201
6,046,405 A * 4/2000 Obermann H02G 3/185
174/17 CT
6,085,667 A * 7/2000 Gevaert A47B 21/06
108/50.02

DESCRIPTION

FIG. 1 is a perspective view of a desktop receptacle showing our new design;
FIG. 2 is a side view thereof, the opposite side being identical;
FIG. 3 is a top view thereof;
FIG. 4 is a bottom view thereof;
FIG. 5 is a front view thereof; and,
FIG. 6 is a rear view thereof.
The support structure in broken lines is included for the purpose of showing features that form no part of the claimed design.

1 Claim, 3 Drawing Sheets



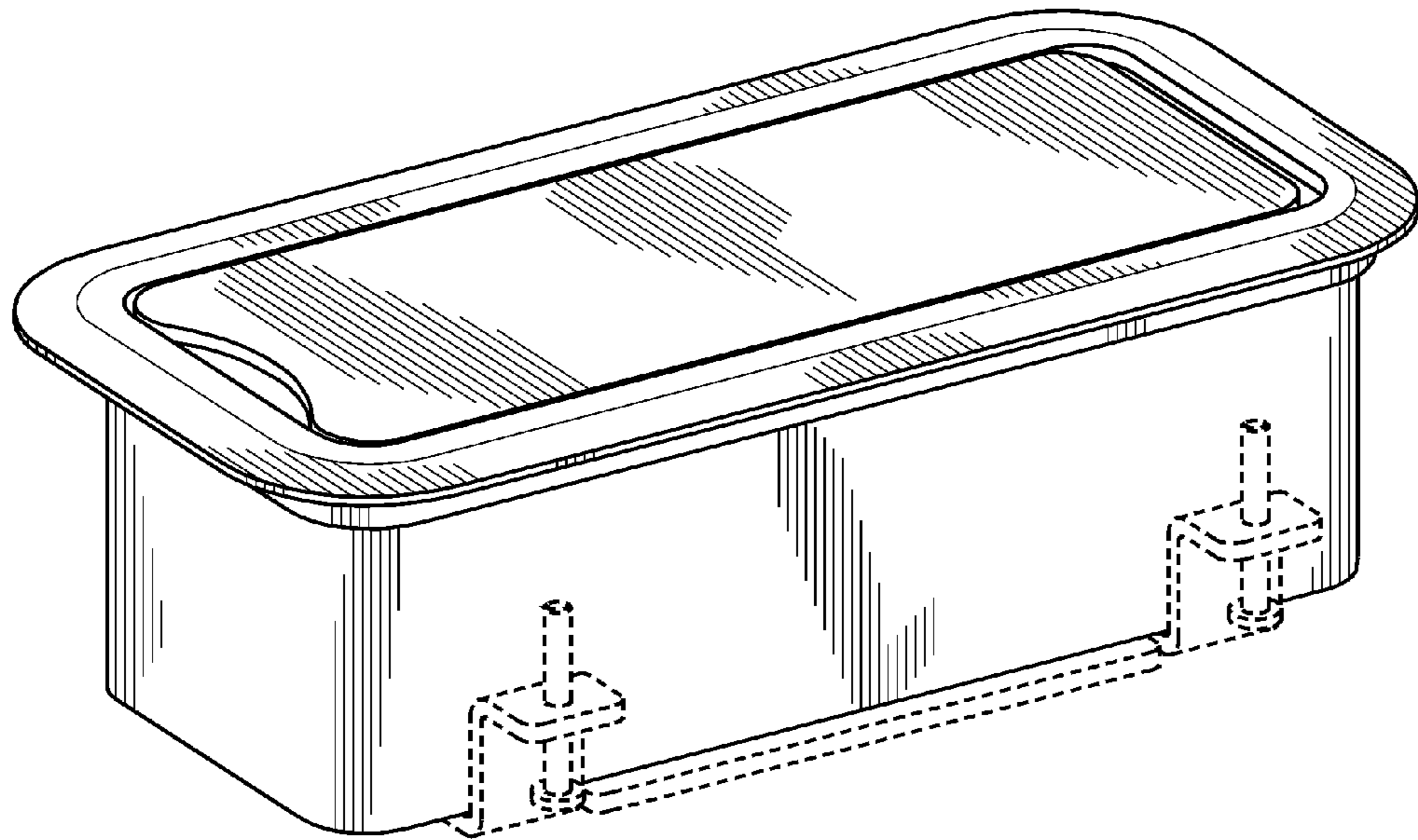


Fig. 1

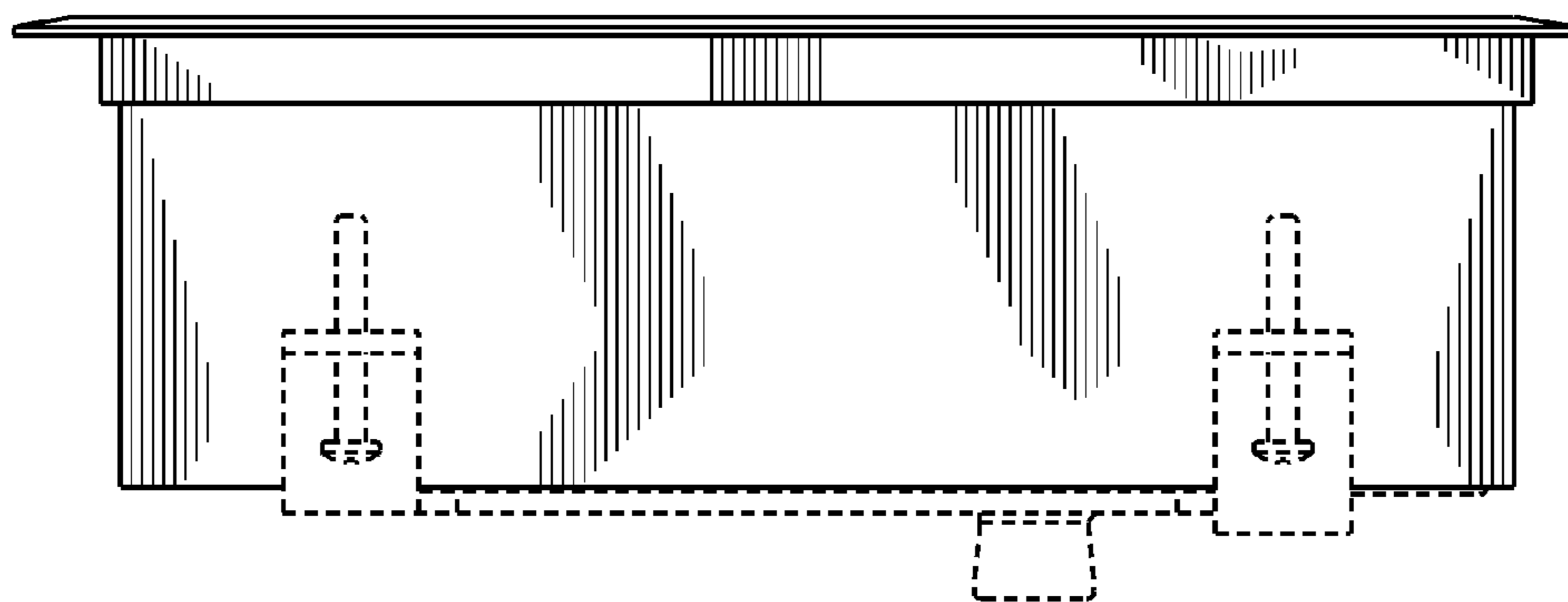


Fig. 2

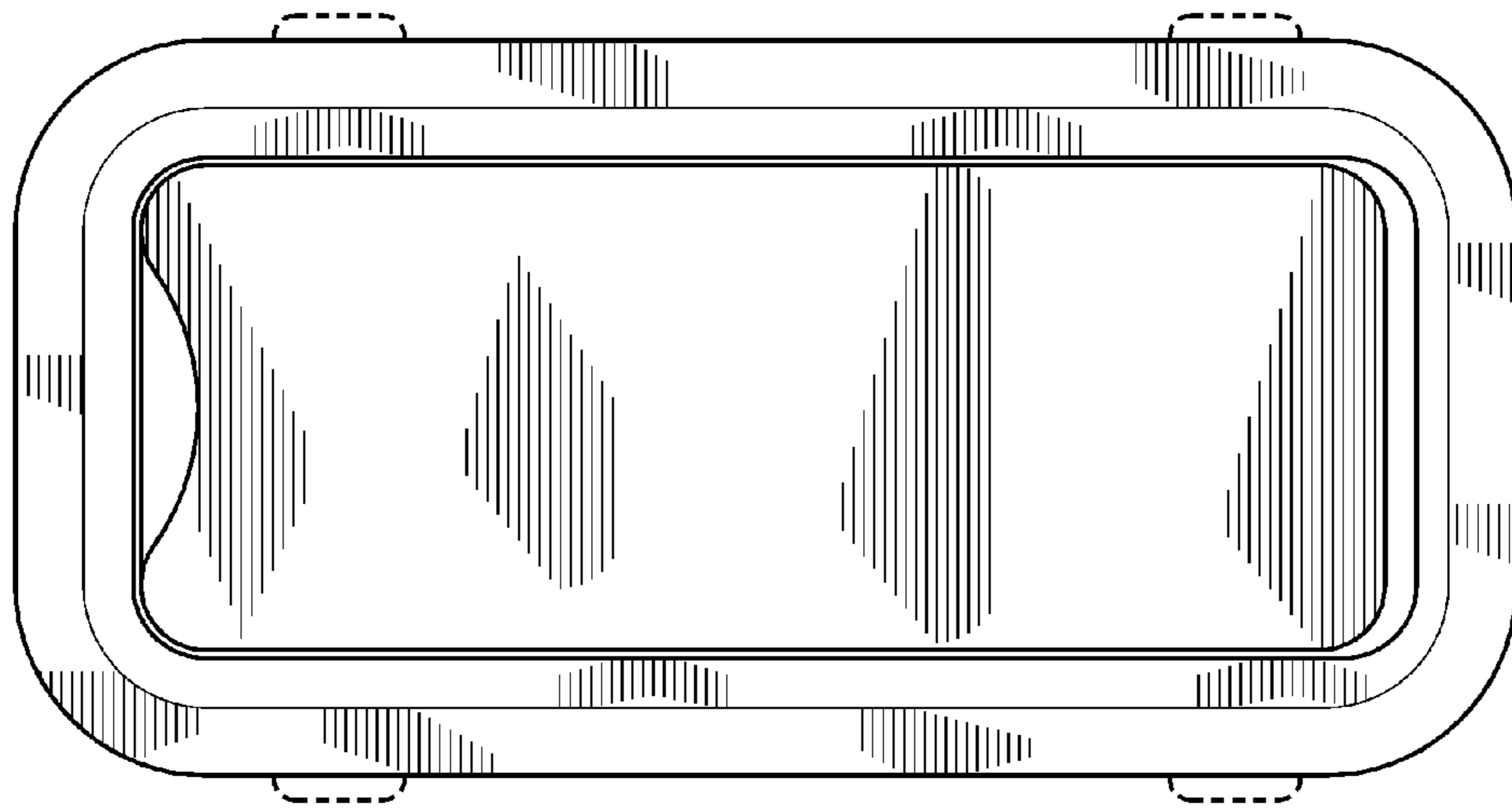


Fig. 3

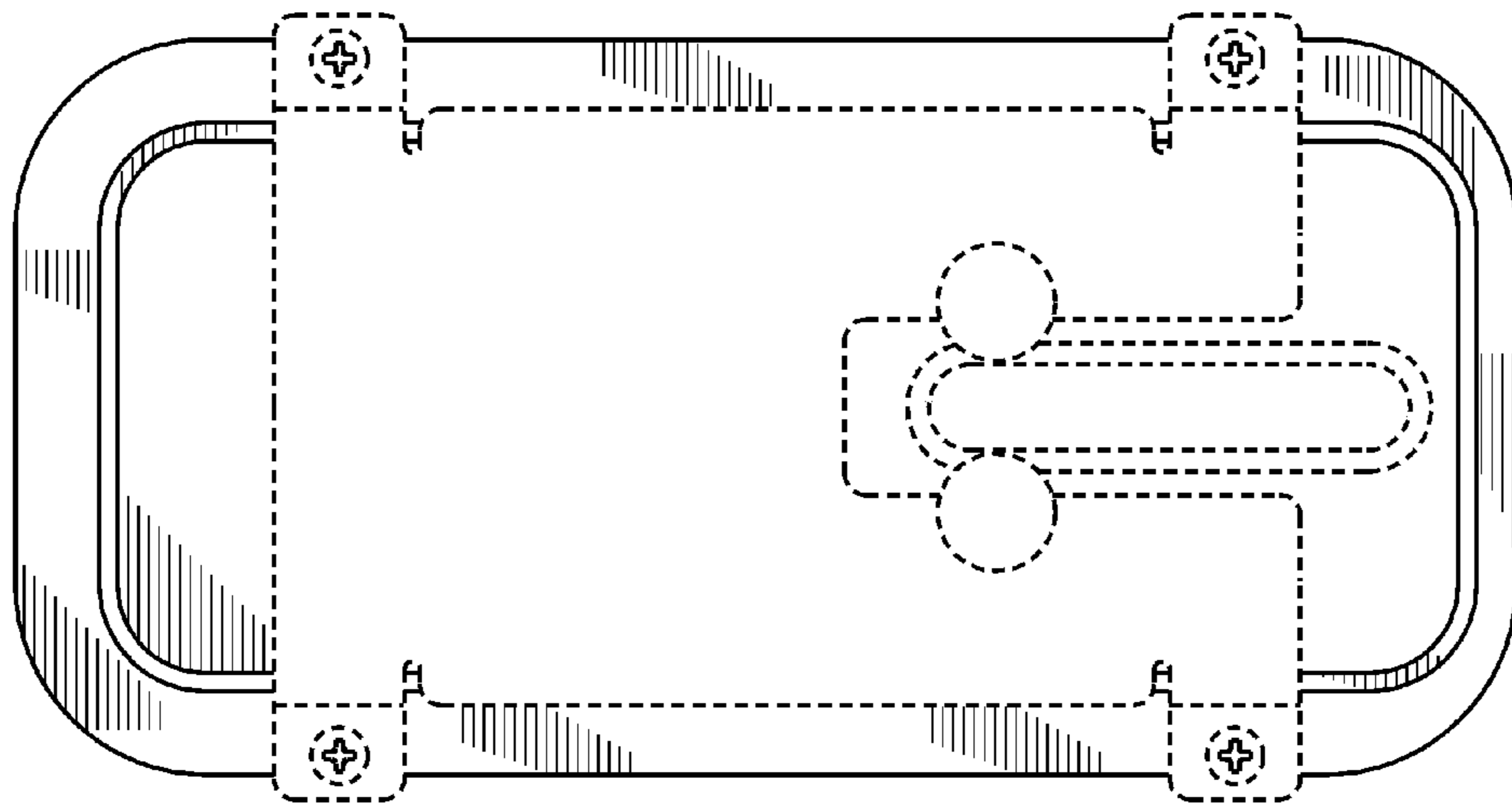


Fig. 4

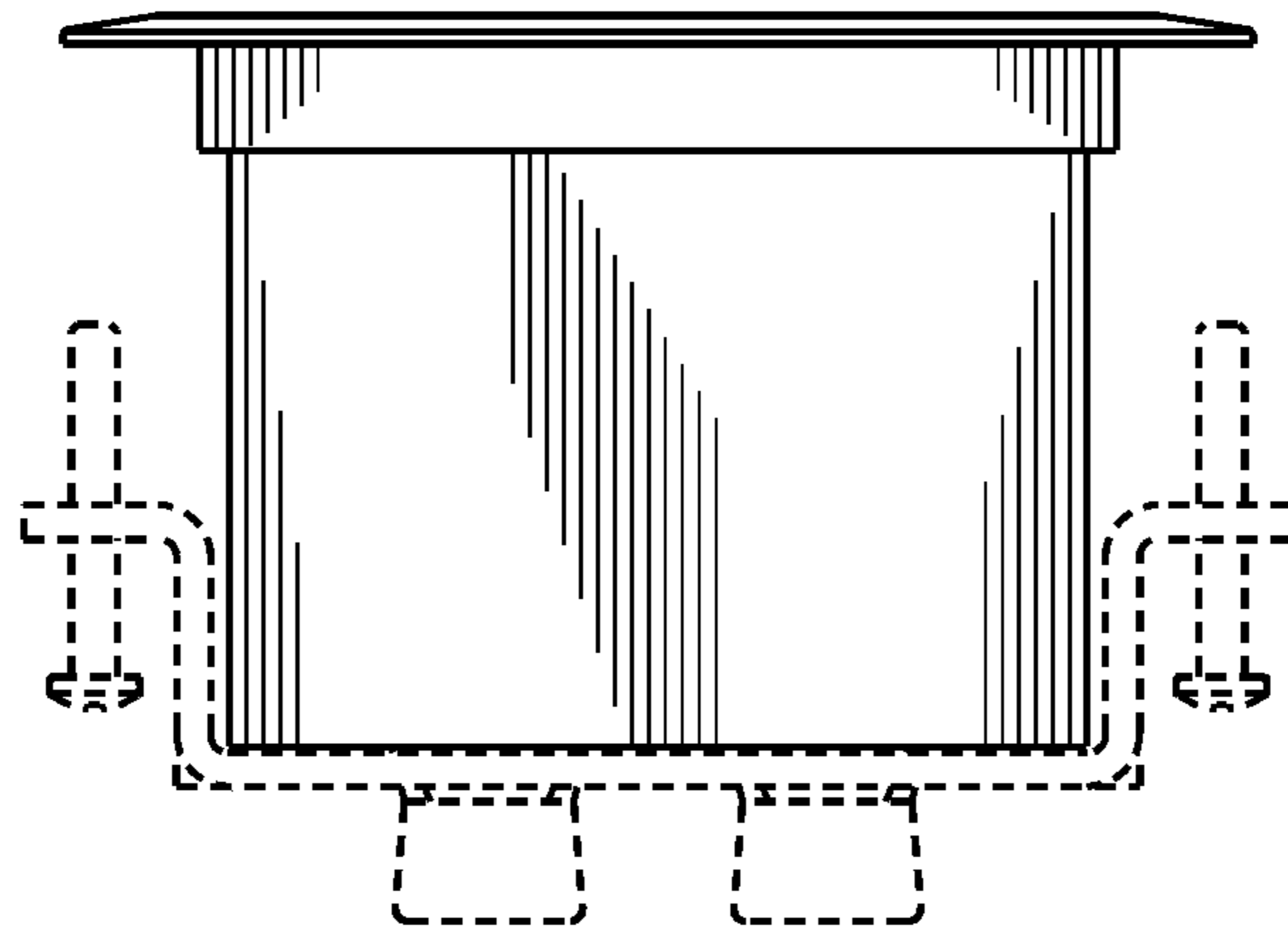


Fig. 5

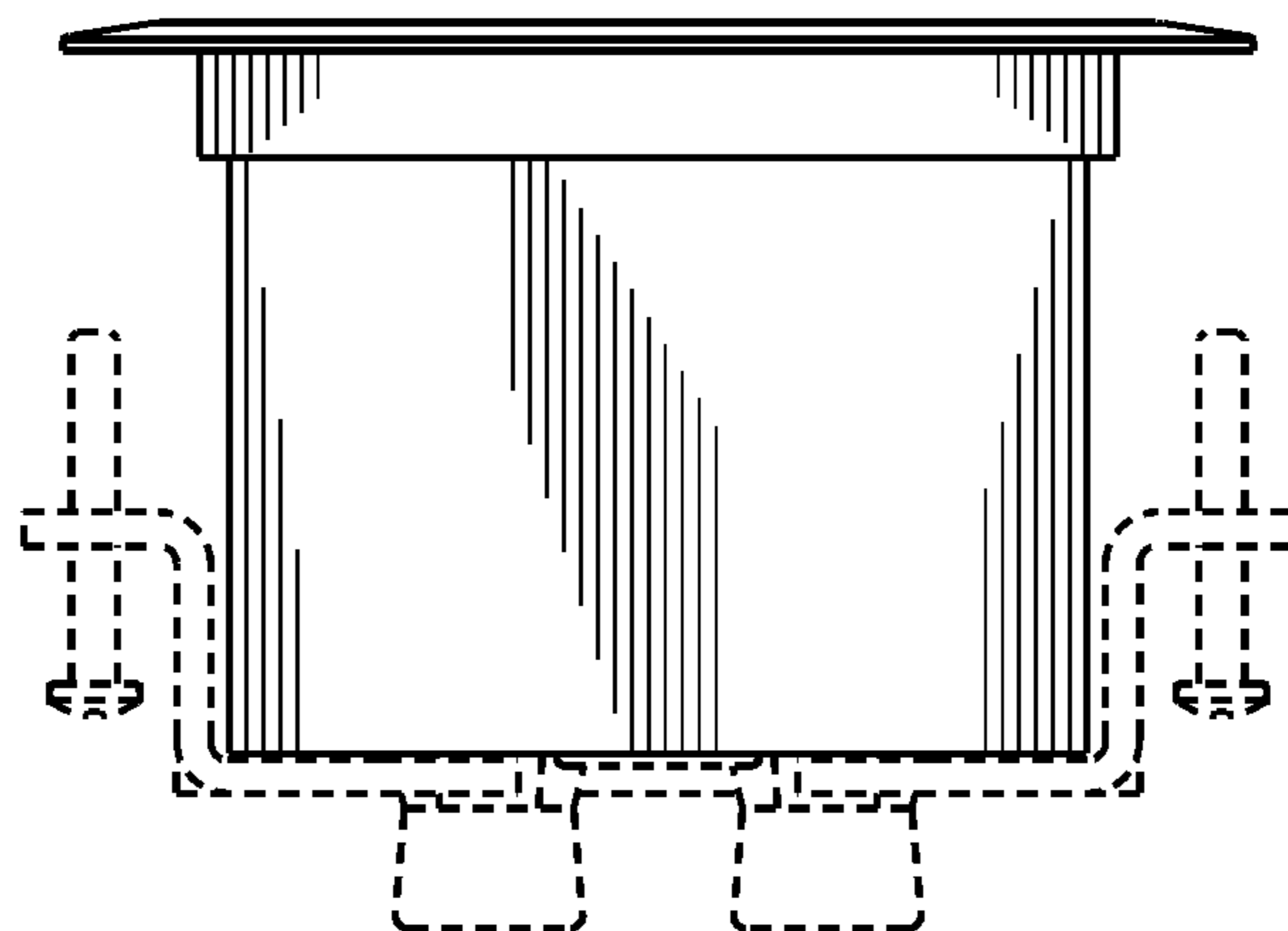


Fig. 6