



US00D752514S

(12) **United States Design Patent**
Hoppmann et al.

(10) **Patent No.:** **US D752,514 S**
(45) **Date of Patent:** **** Mar. 29, 2016**

(54) **ELECTRICAL CONNECTOR**

(71) Applicant: **Phoenix Contact GmbH & Co. KG**,
Blomberg (DE)

(72) Inventors: **Ralph Hoppmann**, Bad Oeynhausen
(DE); **Martin Gebhardt**, Porta
Westfalica (DE); **Detlef Toeberich**,
Luegde (DE); **Holger Steinhage**,
Steinheim (DE)

(73) Assignee: **PHOENIX CONTACT GMBH & CO.**
KG, Blomberg (DE)

(**) Term: **14 Years**

(21) Appl. No.: **29/466,452**

(22) Filed: **Sep. 9, 2013**

(30) **Foreign Application Priority Data**

Mar. 11, 2013 (EM) 002200451-0006
Mar. 11, 2013 (EM) 002200451-0011

(51) **LOC (10) Cl.** **13-03**

(52) **U.S. Cl.**
USPC **D13/133; D13/160**

(58) **Field of Classification Search**
USPC D13/110, 123, 133, 146, 147, 158-160,
D13/184, 199
CPC H01R 13/627; H01R 43/20; H01R 24/38;
H01R 24/46; H01R 4/00; H01R 13/62;
H01R 13/40; H01R 9/05; H01R 13/52;
H01R 13/213

See application file for complete search history.

(56) **References Cited**

U.S. PATENT DOCUMENTS

D215,545 S * 10/1969 Huska D13/133
D550,630 S * 9/2007 Wang et al. D13/160
D658,135 S * 4/2012 Weber et al. D13/160
D706,725 S * 6/2014 Majewski D13/160
2013/0052884 A1 * 2/2013 Hanses 439/816
2014/0127932 A1 * 5/2014 Hoppmann et al. 439/370
2014/0132281 A1 * 5/2014 Bent et al. 324/555

* cited by examiner

Primary Examiner — Thomas Johannes

Assistant Examiner — Shawn T Gingrich

(74) *Attorney, Agent, or Firm* — Leydig, Voit & Mayer, Ltd.

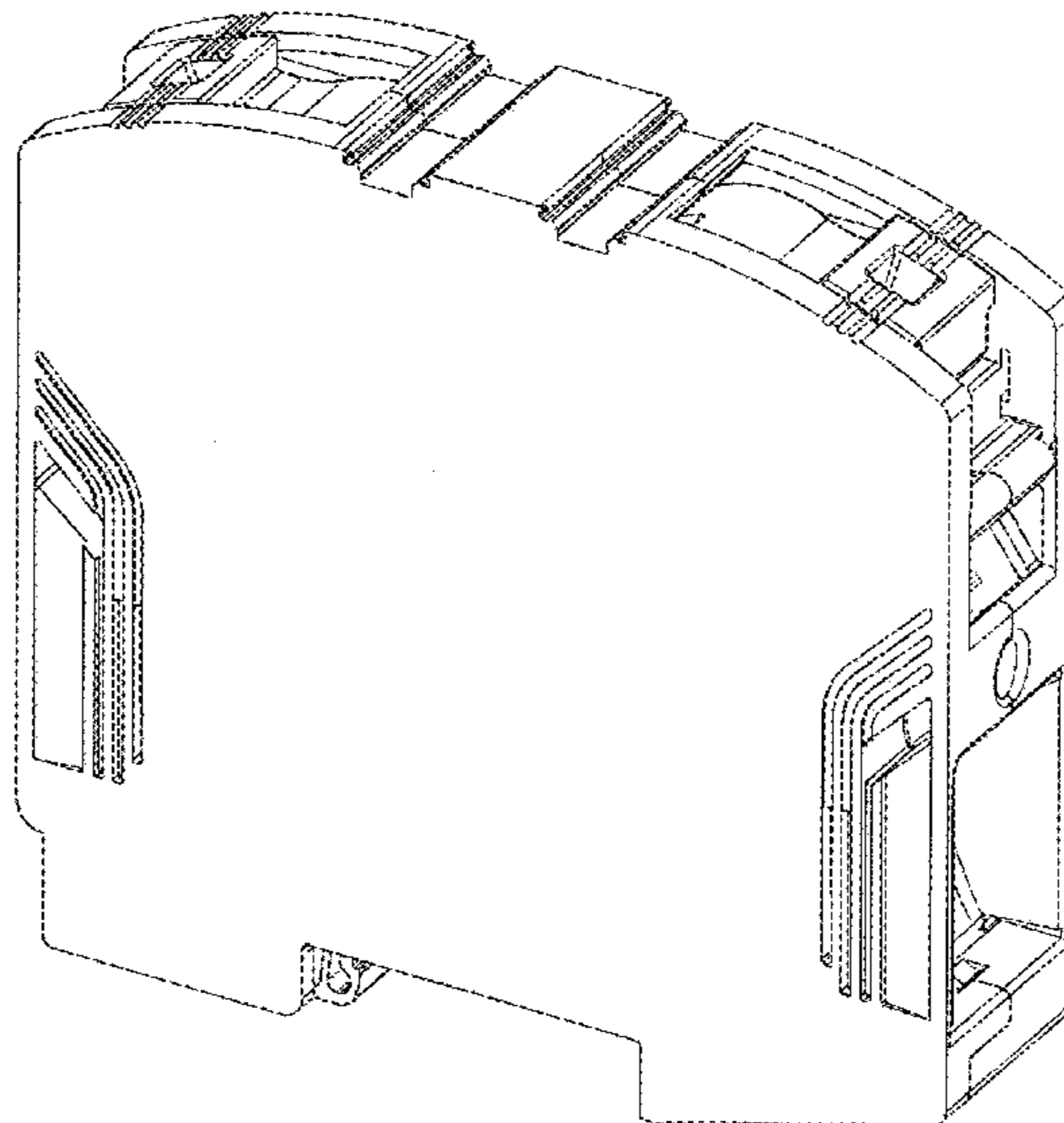
(57) **CLAIM**

The ornamental design for an electrical connector, as shown and described.

DESCRIPTION

FIG. 1 is a top left front perspective view of the electrical connector showing our new design; FIG. 2 is a bottom plan view thereof; FIG. 3 is a front elevational view thereof; FIG. 4 is a left side elevational view thereof; FIG. 5 is a rear elevational view thereof; FIG. 6 is a right side elevational view thereof; and, FIG. 7 is a top plan view thereof. The broken line portions of the figures are included to show unclaimed subject matter only and form no part of the claimed design.

1 Claim, 7 Drawing Sheets



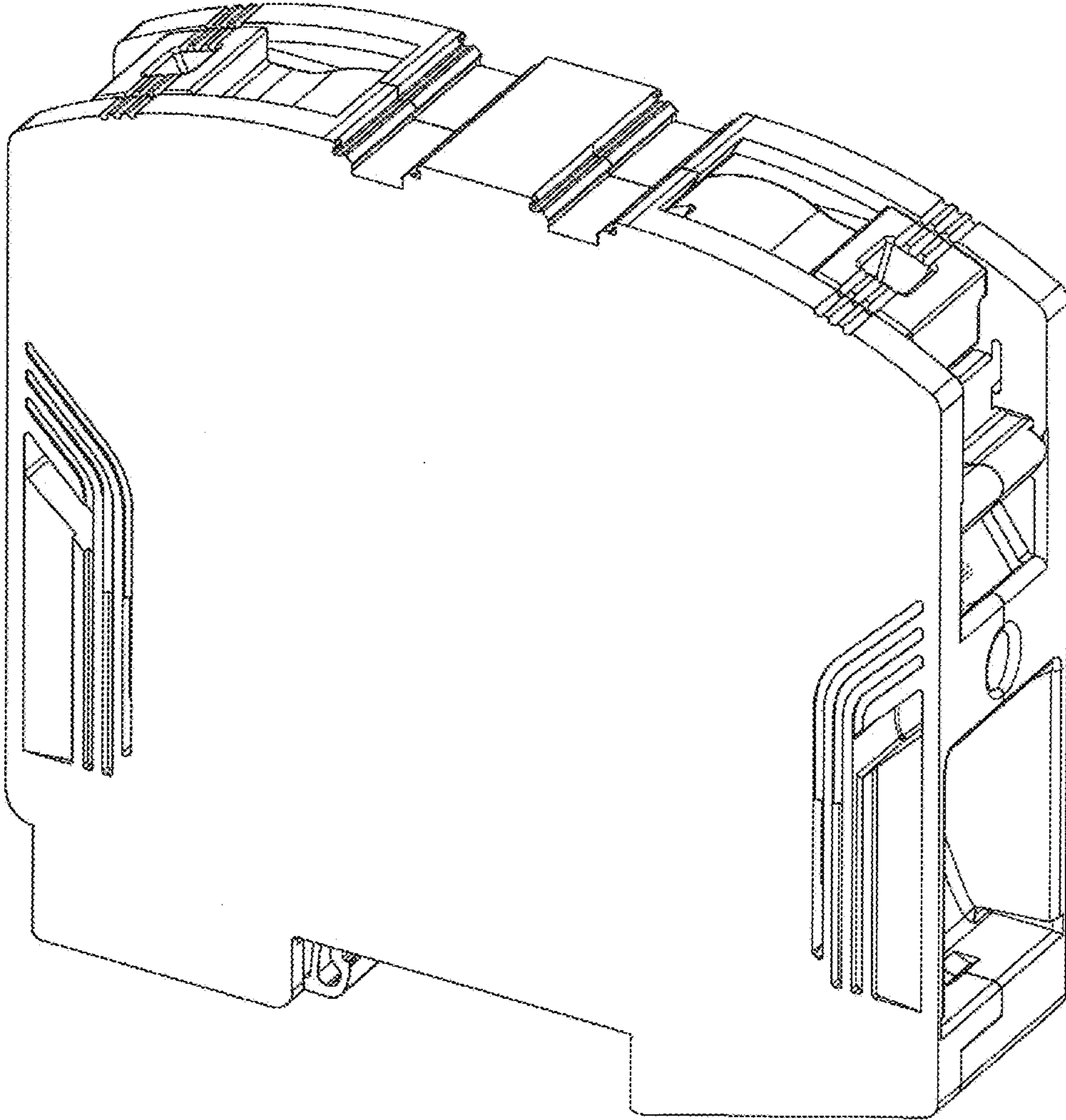


Fig. 1

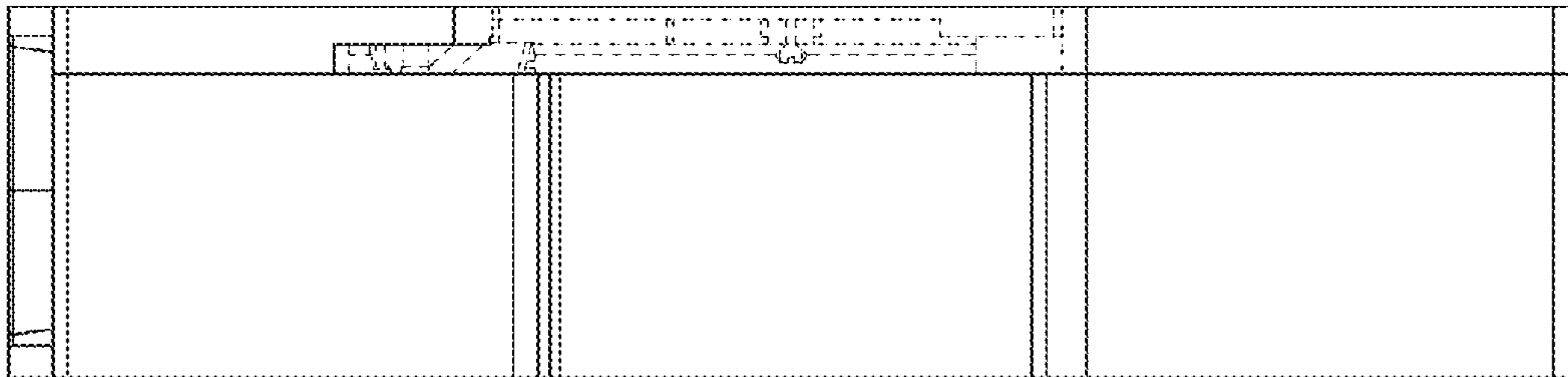


Fig. 2

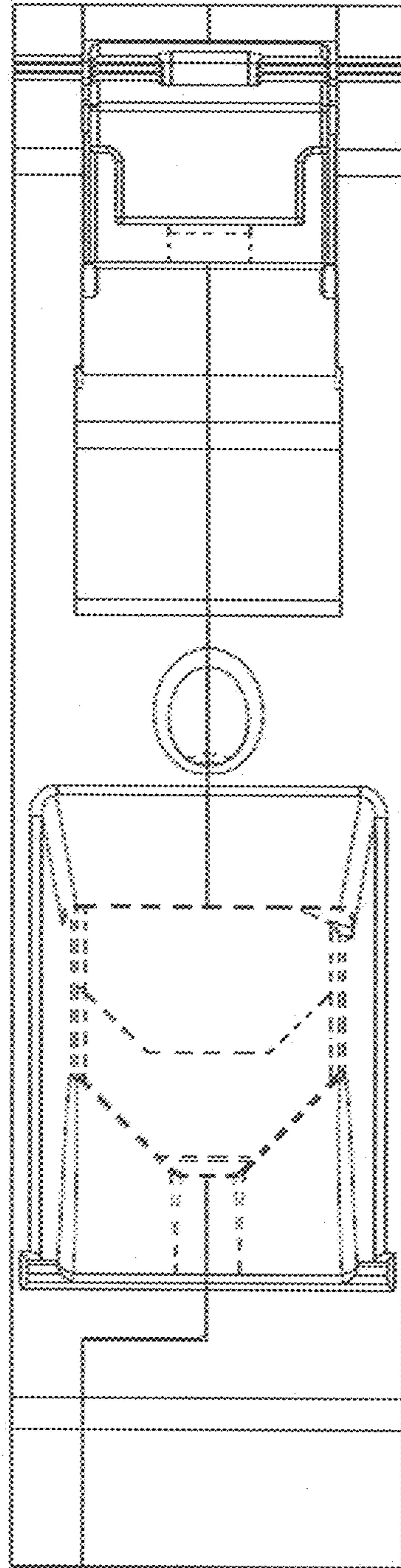


Fig. 3

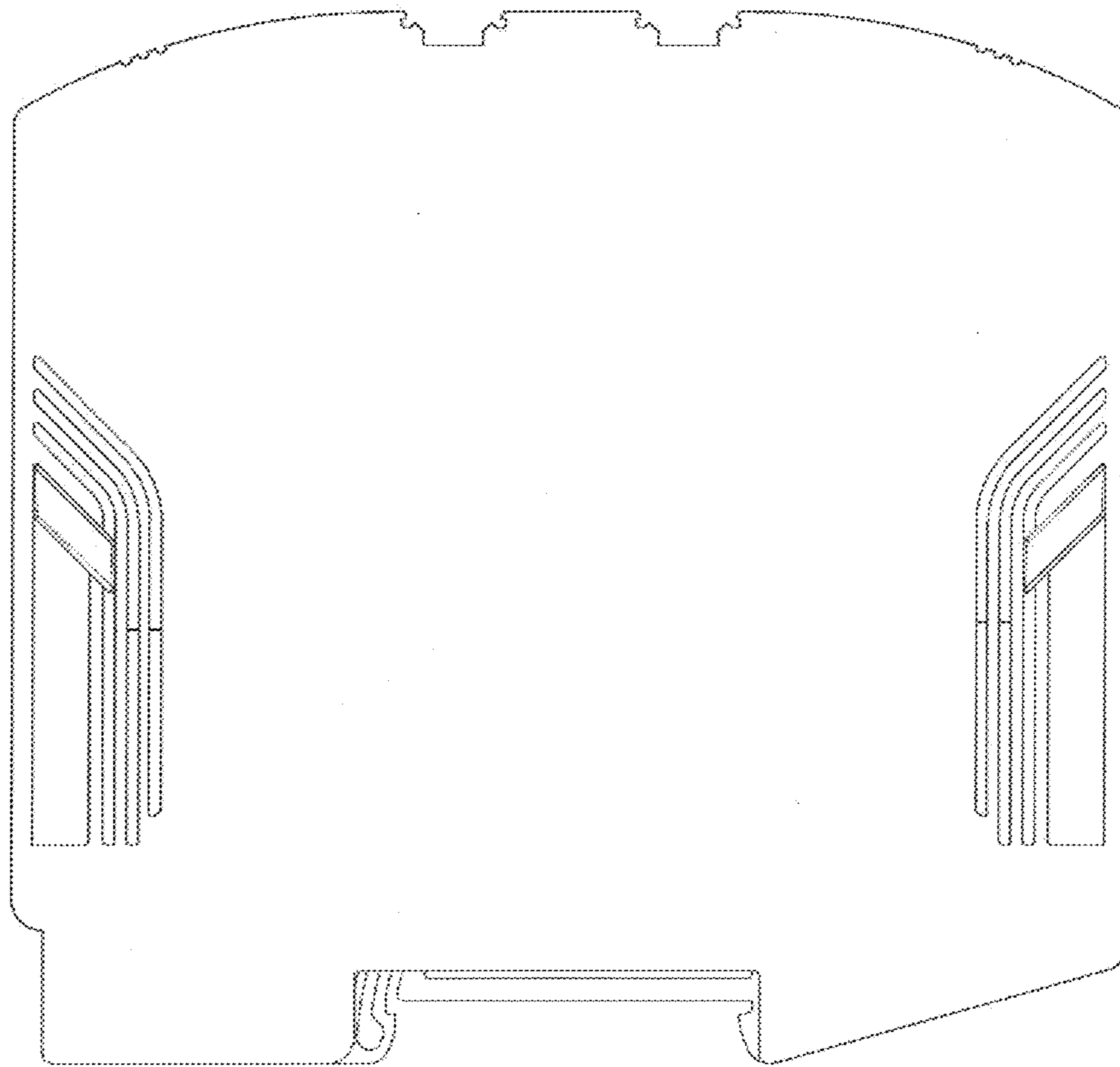


Fig. 4

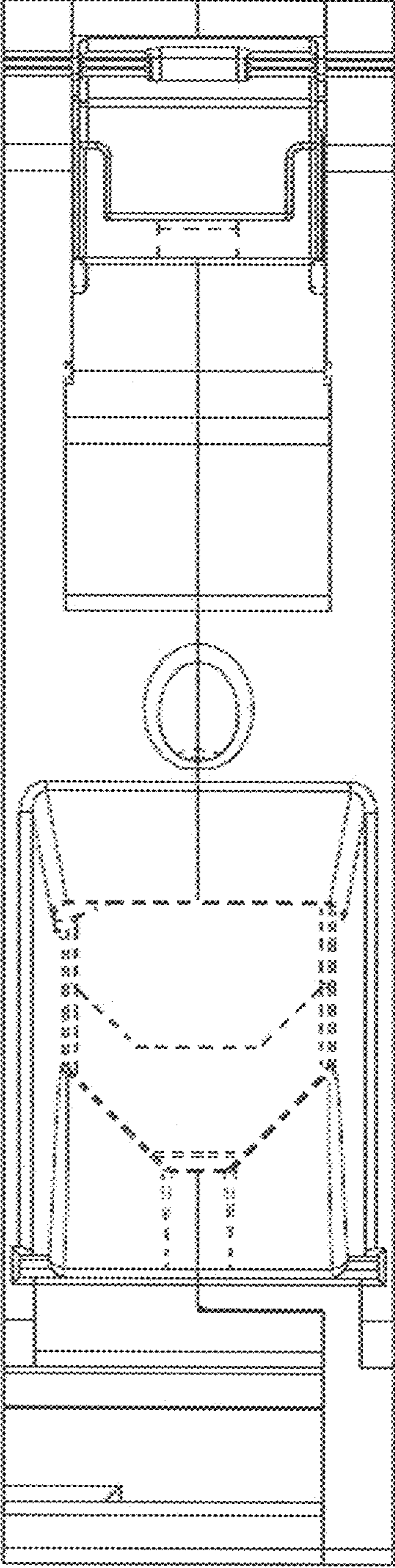


Fig. 5

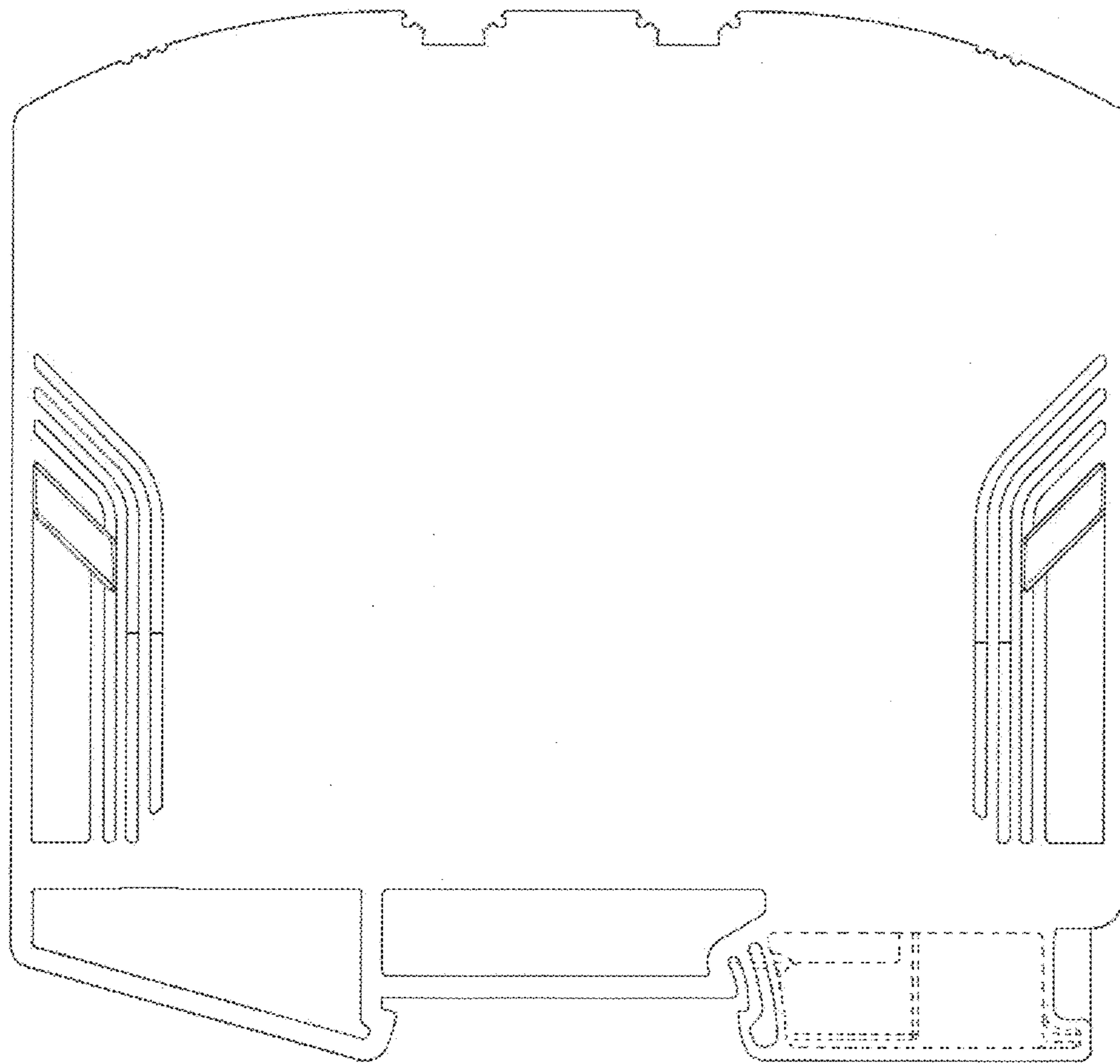


Fig. 6

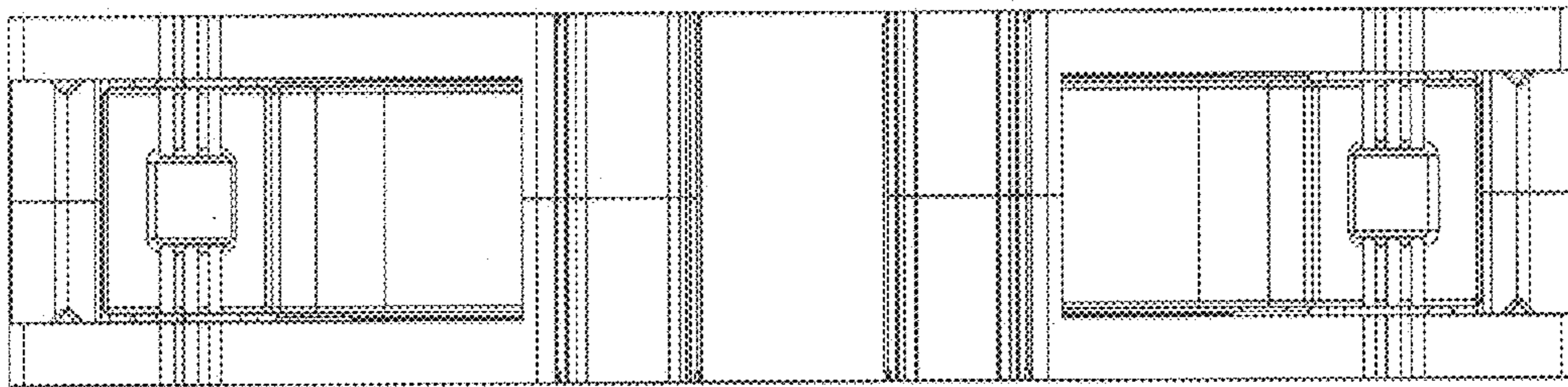


Fig. 7