



US00D752513S

(12) **United States Design Patent**
Willard et al.

(10) **Patent No.:** **US D752,513 S**
(45) **Date of Patent:** **** Mar. 29, 2016**

(54) **MULTI-VOLTAGE DC POWER SUPPLY
MODULE**

(71) Applicants: **Hugh C. Willard**, Raleigh, NC (US);
Michael R. Willard, Charlotte, NC (US)

(72) Inventors: **Hugh C. Willard**, Raleigh, NC (US);
Michael R. Willard, Charlotte, NC (US)

(**) Term: **14 Years**

(21) Appl. No.: **29/506,457**

(22) Filed: **Oct. 15, 2014**

(51) **LOC (10) Cl.** **13-02**

(52) **U.S. Cl.**
USPC **D13/110**

(58) **Field of Classification Search**
USPC D13/110, 103, 107, 108, 118, 119, 123,
D13/133, 137.1, 184, 199; D14/188, 240,
D14/251, 356, 432, 433, 434; 174/59;
220/3.8, 4.02; 320/103, 113, 108, 111;
307/104, 150; 361/679.01, 679.21,
361/679.54, 724
CPC Y10T 307/625; H01R 13/447; H01R
13/6675; H01R 31/065; H02J 5/005; H02M
1/10

See application file for complete search history.

(56) **References Cited**

U.S. PATENT DOCUMENTS

D215,605 S	10/1969	Shmurak et al.	
D259,708 S *	6/1981	Swinstead	D10/80
D260,762 S *	9/1981	Peroni	D10/103
D267,796 S	2/1983	Litt et al.	
D278,999 S *	5/1985	Zimmerman	D13/184
4,652,969 A *	3/1987	Stegenga	361/694
D330,698 S *	11/1992	Thompson	D13/123
D365,529 S *	12/1995	Peroni	D10/103
D402,641 S *	12/1998	Heijnen	D13/184
D413,567 S *	9/1999	Person et al.	D13/110
D418,812 S *	1/2000	Imamura	D13/123
D436,919 S *	1/2001	Wakefield et al.	D13/110

D445,789 S *	7/2001	Zmehrir	D14/356
D452,677 S	1/2002	Weng	
D454,110 S *	3/2002	Andre et al.	D13/110
D505,915 S *	6/2005	Hussaini et al.	D13/110
D523,014 S *	6/2006	Liu et al.	D14/433
D534,119 S *	12/2006	Miller et al.	D13/107
7,304,852 B2 *	12/2007	Hernandez et al.	361/714
D562,235 S *	2/2008	Hussaini et al.	D13/110
D606,018 S	12/2009	Steinhorn et al.	
D654,870 S *	2/2012	Pehlari	D13/110
D727,846 S *	4/2015	Wen	D13/110
2006/0103242 A1 *	5/2006	Lin	307/66
2008/0012427 A1 *	1/2008	Wilson et al.	307/66

OTHER PUBLICATIONS

Unpublished U.S. Appl. No. 14/515,478, filed Oct. 15, 2014.

* cited by examiner

Primary Examiner — Derrick Holland

Assistant Examiner — Jennifer O King

(74) *Attorney, Agent, or Firm* — Hultquist IP; Steven J. Hultquist

(57) **CLAIM**

The ornamental design for a multi-voltage DC power supply module, as shown and described.

DESCRIPTION

FIG. 1 is a front perspective view of a multi-voltage DC power supply module showing my new design in environmental use;

FIG. 2 is a rear perspective view thereof, shown in environmental use;

FIG. 3 is a front elevation view thereof;

FIG. 4 is a rear elevation view thereof;

FIG. 5 is a top plan view thereof;

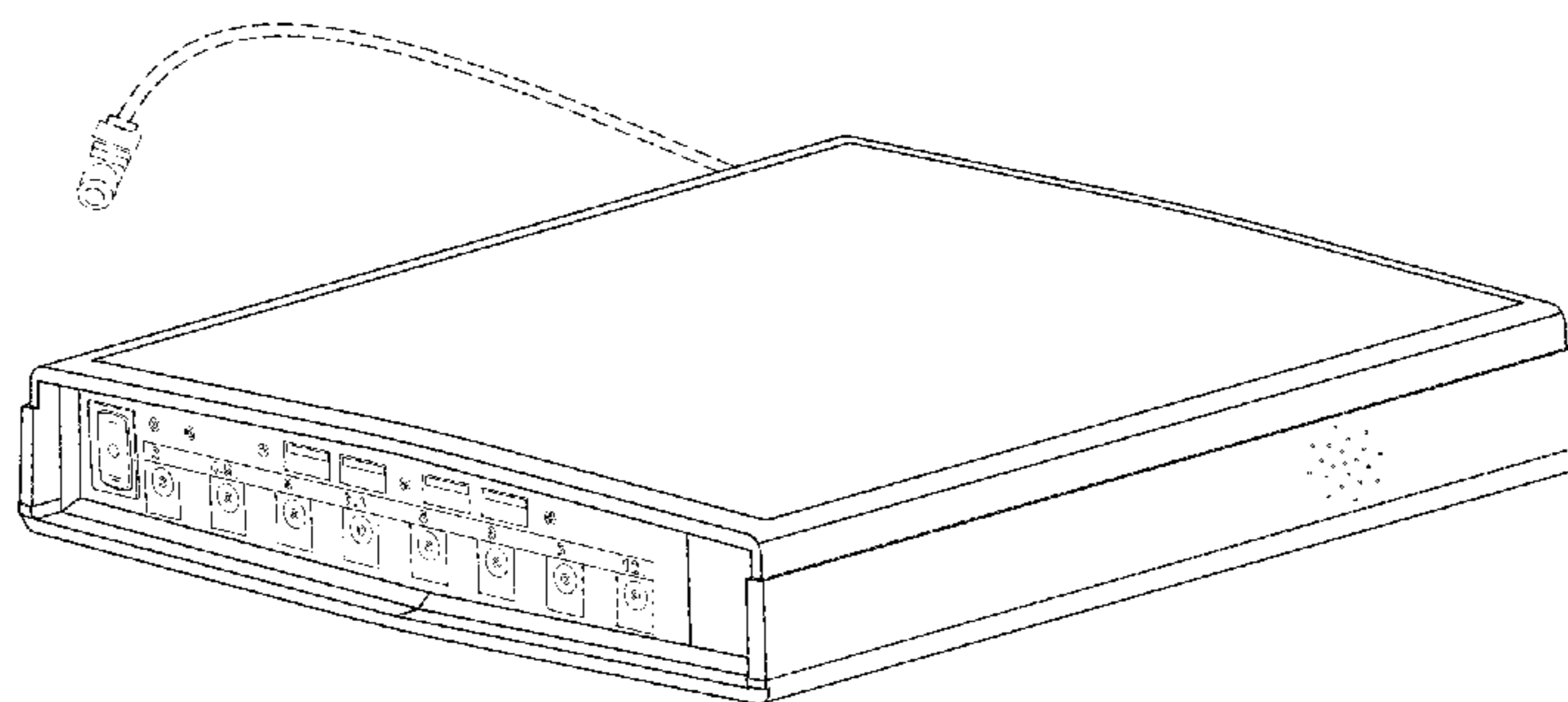
FIG. 6 is a bottom plan view thereof;

FIG. 7 is a left-hand elevation view thereof; and,

FIG. 8 is a right-hand elevation view thereof.

The broken lines shown represent unclaimed subject matter and form no part of the claimed design.

1 Claim, 6 Drawing Sheets



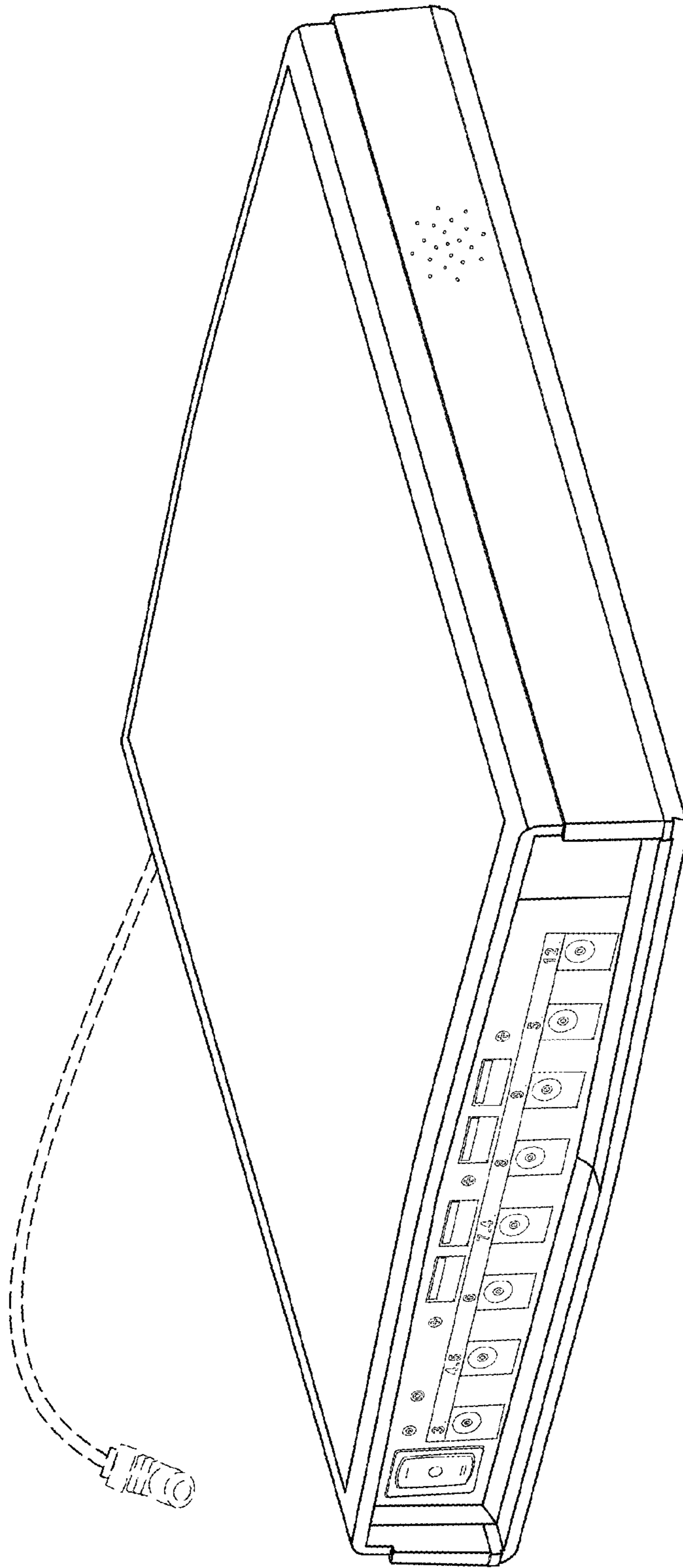


FIG. 1

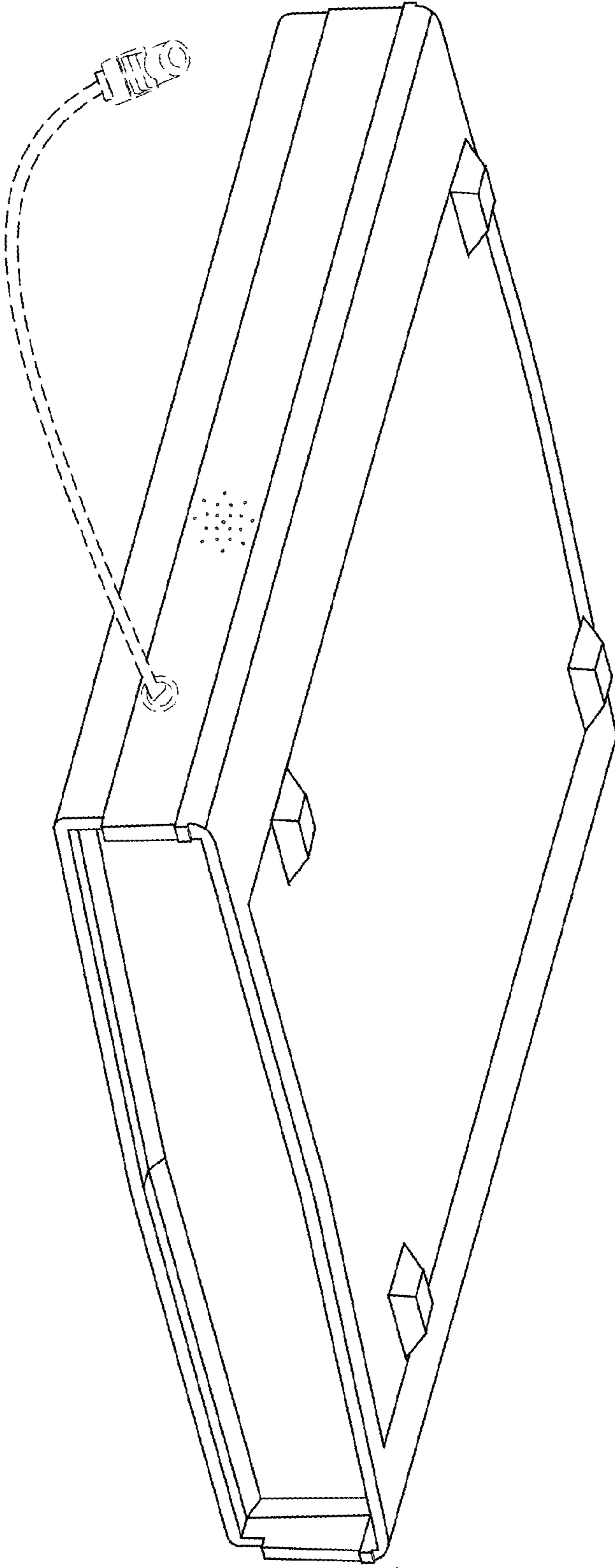


FIG.2

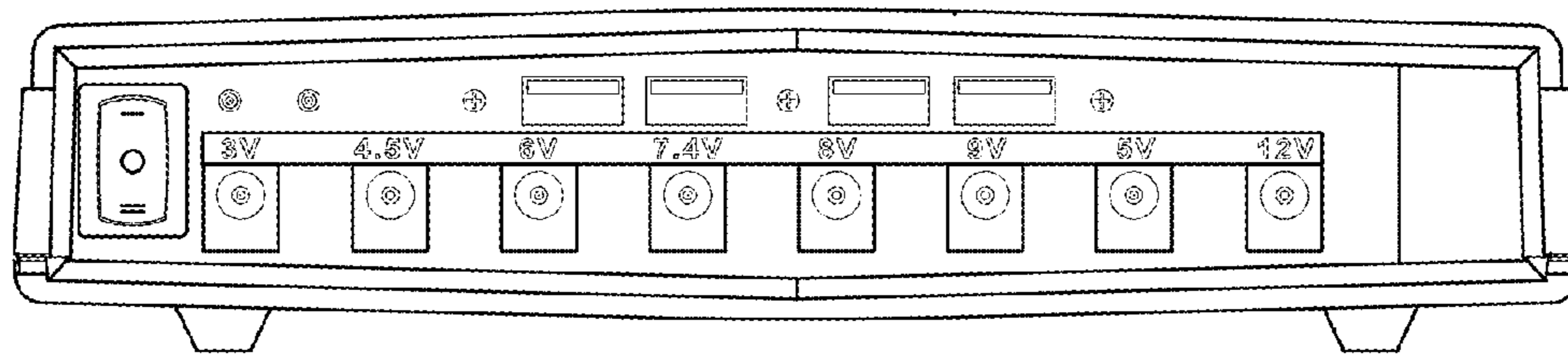


FIG.3

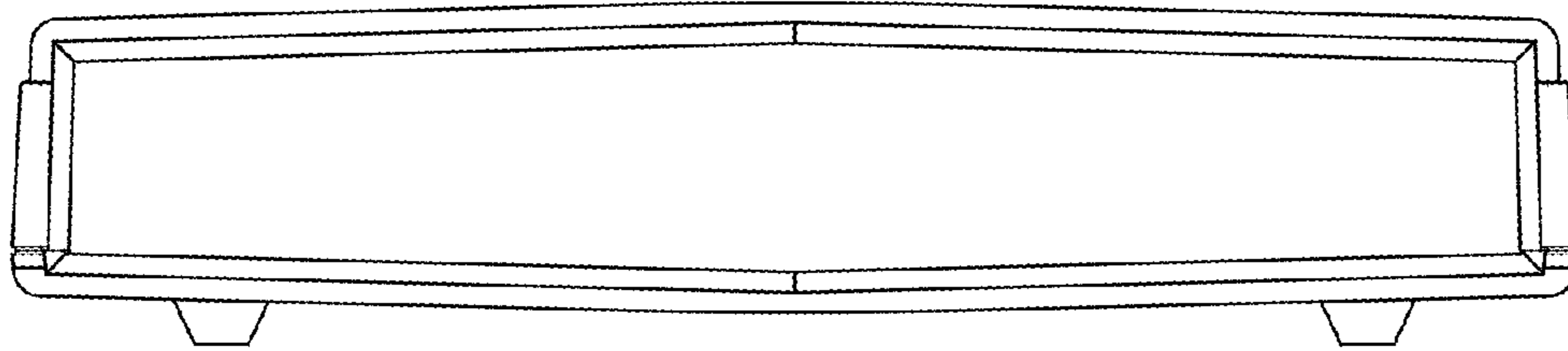


FIG.4

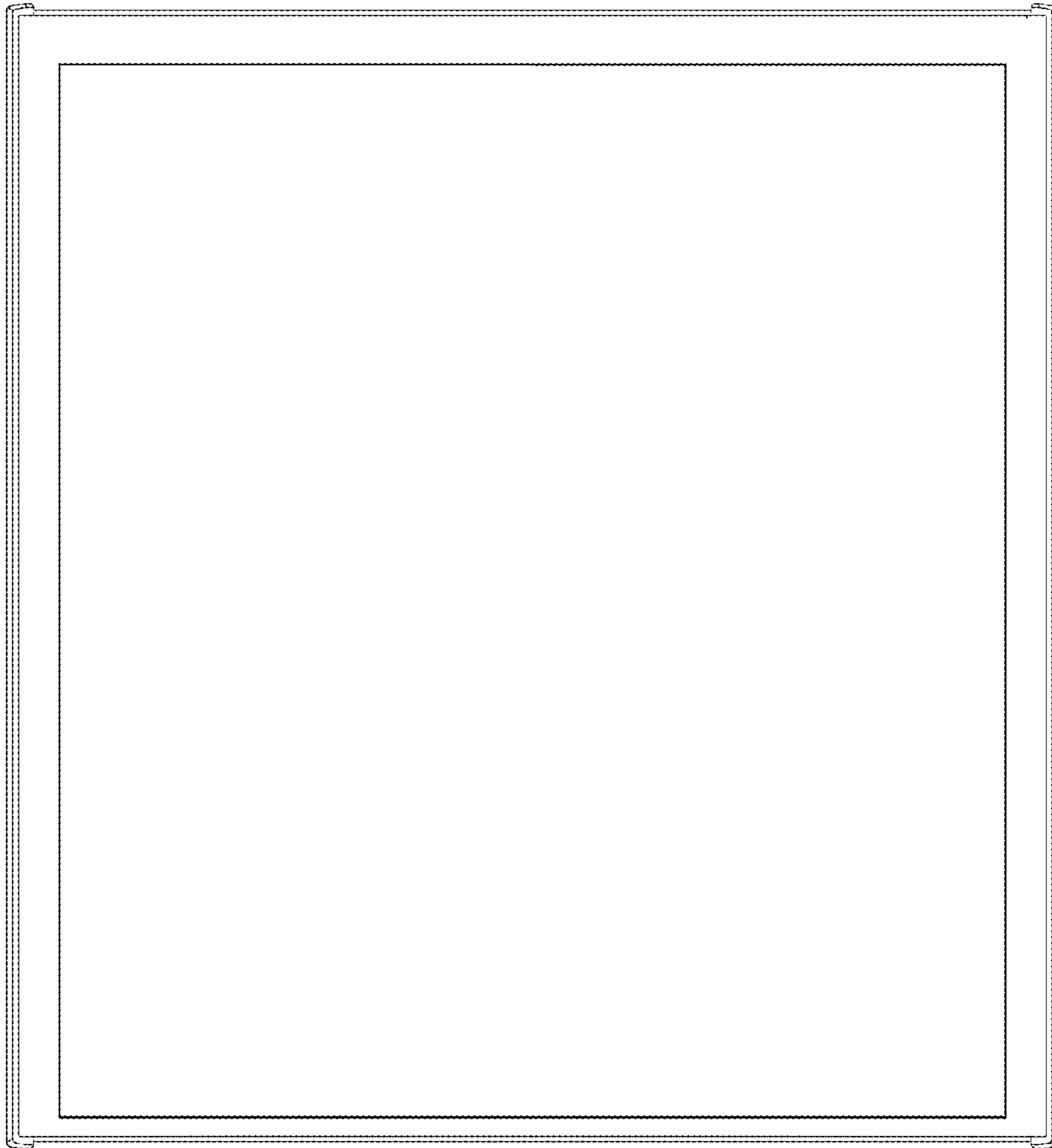


FIG.5

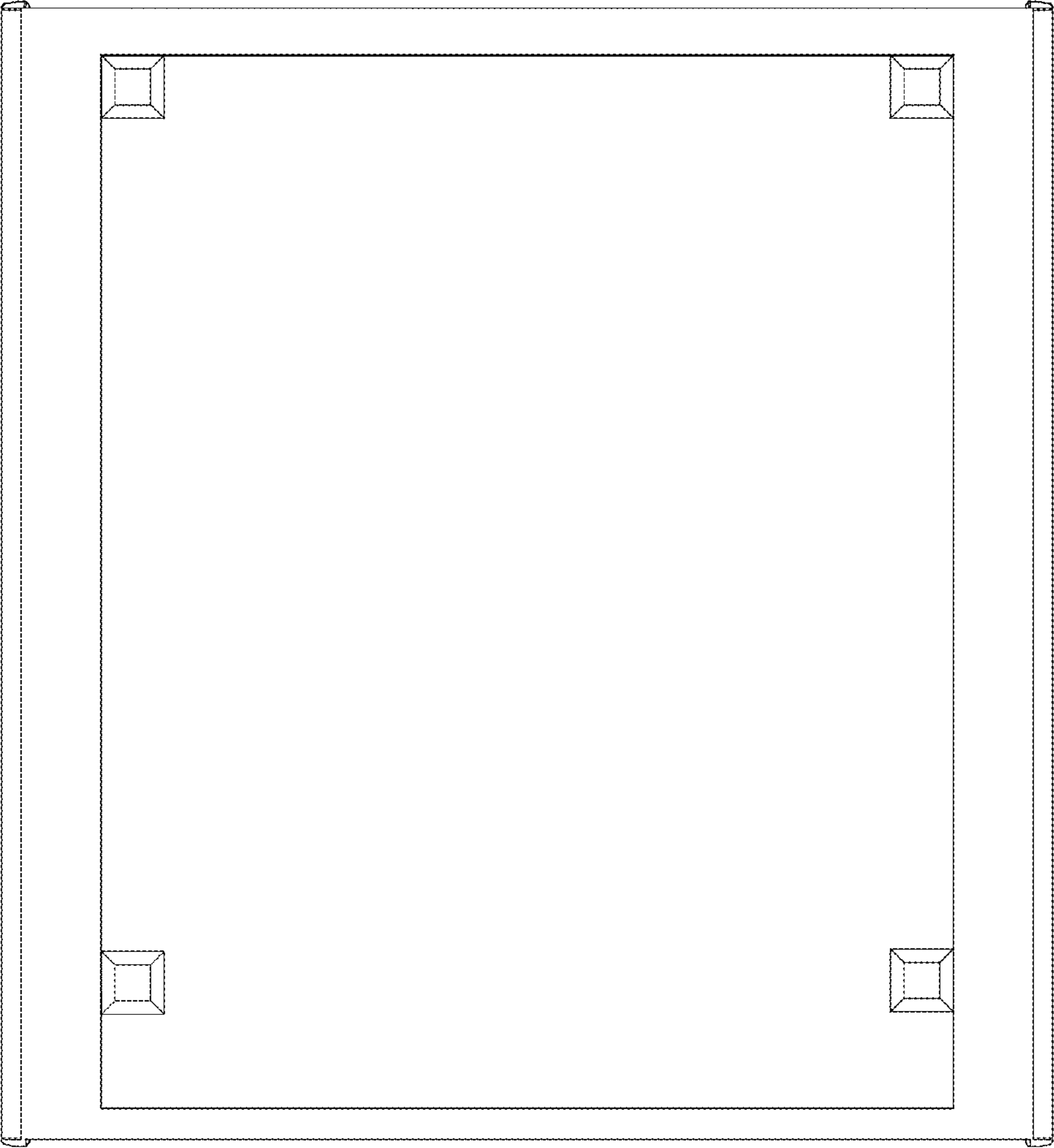


FIG.6

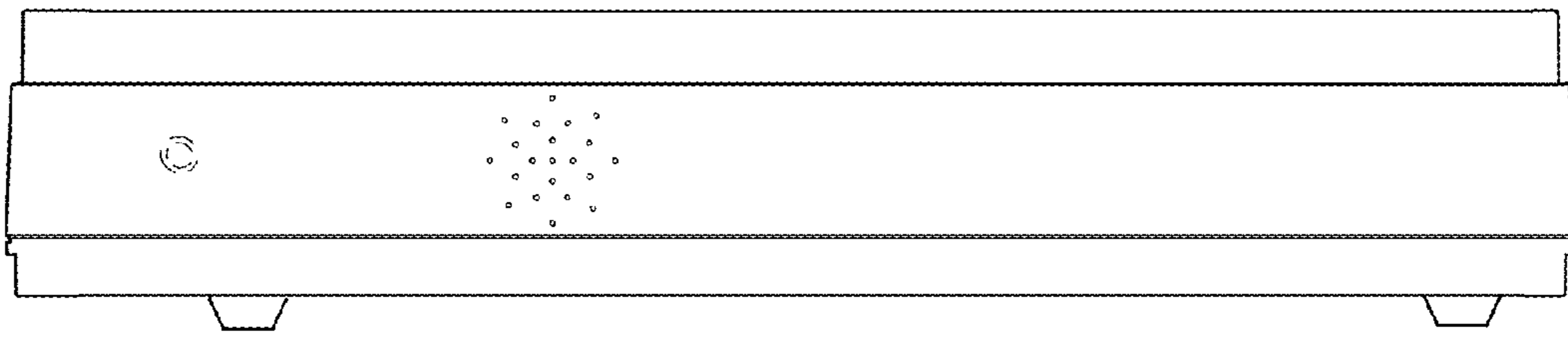


FIG. 7

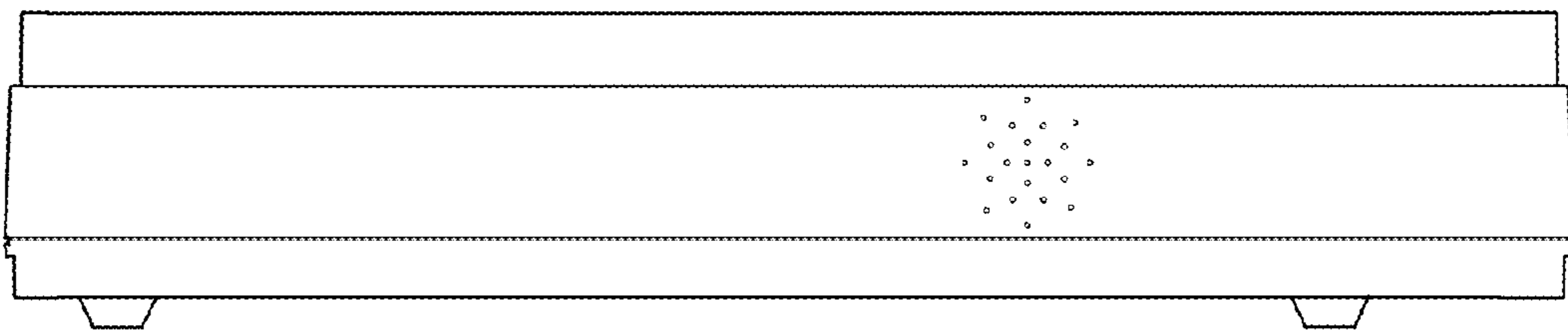


FIG. 8