



US00D752509S

(12) **United States Design Patent**
Lin

(10) **Patent No.:** **US D752,509 S**
(45) **Date of Patent:** **** Mar. 29, 2016**

(54) **RECHARGEABLE BATTERY DEVICE**
(71) Applicant: **Limefuel, LLC**, Boulder, CO (US)
(72) Inventor: **Paul Lin**, Boulder, CO (US)
(73) Assignee: **Limefuel, LLC**, Boulder, CO (US)
(**) Term: **14 Years**
(21) Appl. No.: **29/502,988**

D375,933 S 11/1996 Kao
D382,536 S 8/1997 Amero, Jr.
D409,136 S * 5/1999 Sumita D13/103
D409,623 S 5/1999 Bianco
6,394,343 B1 5/2002 Berg et al.
6,406,811 B1 6/2002 Hall et al.
6,499,190 B2 12/2002 Ruiz Rodriguez
D468,720 S 1/2003 Birkholz
D496,906 S * 10/2004 Vinciarelli D13/110
D506,438 S * 6/2005 Vinciarelli D13/110
D509,472 S * 9/2005 Vinciarelli D13/110
D517,476 S 3/2006 Green
D524,242 S * 7/2006 Adams D13/103
D531,133 S 10/2006 McCord et al.

(Continued)

(22) Filed: **Sep. 22, 2014**
(51) **LOC (10) Cl.** **13-02**
(52) **U.S. Cl.**
USPC **D13/103**

OTHER PUBLICATIONS

U.S. Appl. No. 29/479,883, filed Jan. 21, 2014, Lin.

(Continued)

(58) **Field of Classification Search**
USPC D13/102-110, 118-119, 184, 199;
D14/356, 432, 251, 253, 434;
320/107-115, 135, 138, 140, 103-105
CPC Y02E 60/12; Y02E 60/122; Y02E 60/124;
Y02E 60/50; H01M 2/02; H01M 2/022;
H01M 2/0202; H01M 2/0207; H01M 2/0212;
H01M 2/1061; H01M 2/1022; H01M 2/1055;
H01M 2/1066; H01M 2/105; H01M 2/204;
H01M 2/20; H01M 20/202; H01M 2/206;
H01M 10/4257; H01M 10/0436; H01M 10/48;
H01M 10/44; H01M 10/46; H01M 10/465;
H01M 10/482; H01M 2200/30; H01M
2250/30; H01M 2250/40; H02J 7/00; H02J
7/0003; H02J 7/0011; H02J 7/0013; H02J
7/0054; H02J 7/0055; H02J 7/0057; H02J
2007/0062

Primary Examiner — Rosemary K Tarcza
Assistant Examiner — Sanjeev Paul
(74) *Attorney, Agent, or Firm* — Sheridan Ross P.C.

See application file for complete search history.

(57) **CLAIM**
The ornamental design for a rechargeable battery device, as shown and described.

(56) **References Cited**

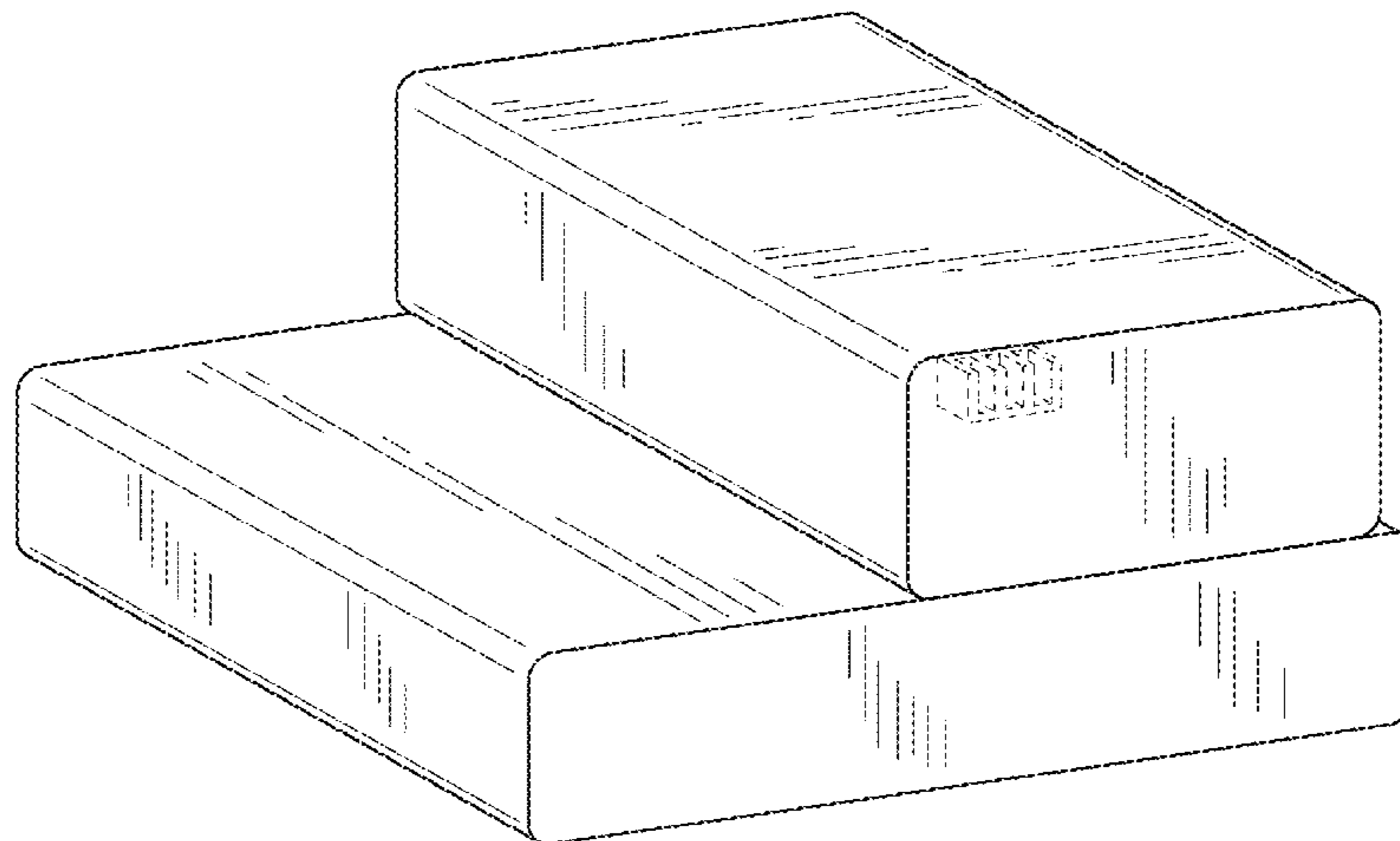
DESCRIPTION

U.S. PATENT DOCUMENTS

D311,373 S 10/1990 Morisse et al.
D320,212 S * 9/1991 Someya D13/184
D357,896 S 5/1995 Berry
D363,056 S * 10/1995 Vinciarelli D13/110

FIG. 1 is a front right perspective view of the rechargeable battery device;
FIG. 2 is a front left perspective view thereof;
FIG. 3 is a right elevation view thereof;
FIG. 4 is a left elevation view thereof;
FIG. 5 is a rear elevation view thereof;
FIG. 6 is a front elevation view thereof;
FIG. 7 is a top plan view thereof; and,
FIG. 8 is a bottom plan view thereof.
The broken lines showing a rechargeable battery device are included for the purpose of illustrating environment and form no part of the claimed design.

1 Claim, 4 Drawing Sheets



(56)

References Cited

U.S. PATENT DOCUMENTS

D580,953	S	11/2008	Andre et al.	
D593,489	S	6/2009	Yang	
D611,407	S *	3/2010	Webb	D13/108
D629,365	S	12/2010	Garcia De Vicuna	
D662,044	S *	6/2012	Lemelman	D13/103
D669,427	S *	10/2012	Ignor	D13/103
D682,778	S	5/2013	Baumgartner et al.	
D684,926	S *	6/2013	Murchison	D13/107
D685,319	S *	7/2013	Ignor	D13/103
D689,019	S	9/2013	Sato et al.	
D700,139	S *	2/2014	Chan	D13/103
D705,782	S *	5/2014	McParland	D14/435
D711,311	S *	8/2014	Corbin	D13/103
D715,219	S *	10/2014	Cepress	D13/103
D719,087	S *	12/2014	Bataillou	D13/103
D724,020	S *	3/2015	Kwon	D13/103
D724,528	S *	3/2015	Kwon	D13/103
D724,530	S *	3/2015	Kwon	D13/103
D724,533	S *	3/2015	Kwon	D13/103
D725,590	S	3/2015	Clyne et al.	
D729,727	S *	5/2015	Lin	D13/103
D731,419	S *	6/2015	Kao	D13/108
D733,051	S *	6/2015	Wang	D13/103
2009/0098443	A1	4/2009	Yamamoto et al.	
2011/0117418	A1 *	5/2011	Meintschel	H01M 2/0207 429/153
2013/0202932	A1	8/2013	Song et al.	
2014/0072850	A1 *	3/2014	Kwon	H01M 10/0413 429/94
2015/0288021	A1 *	10/2015	Kwon	H01M 10/052 429/94

OTHER PUBLICATIONS

Notice of Allowance for U.S. Appl. No. 29/491,238, mailed Jan. 5, 2015, 8 pages.

Notice of Allowance for U.S. Appl. No. 29/479,883, mailed Jan. 21, 2015 6 pages.

U.S. Appl. No. 29/491,238, filed May 19, 2014, Lin.

U.S. Appl. No. 29/514,954, filed Jan. 19, 2015, Lin.

U.S. Appl. No. 29/517,938, filed Feb. 18, 2015, Lin.

U.S. Appl. No. 29/517,939, filed Feb. 18, 2015, Lin.

U.S. Appl. No. 29/518,222, filed Feb. 20, 2015, Lin.

U.S. Appl. No. 29/502,977, filed Sep. 22, 2014, Lin.

U.S. Appl. No. 29/502,983, filed Sep. 22, 2014, Lin.

U.S. Appl. No. 29/502,985, filed Sep. 22, 2014, Lin.

U.S. Appl. No. 29/502,986, filed Sep. 22, 2014, Lin.

U.S. Appl. No. 29/502,990, filed Sep. 22, 2014, Lin.

Notice of Allowance for U.S. Appl. No. 29/502,977, mailed Nov. 2, 2015 11 pages.

Notice of Allowance for U.S. Appl. No. 29/502,983, mailed Nov. 13, 2015 8 pages.

Notice of Allowance for U.S. Appl. No. 29/502,985, mailed Nov. 10, 2015 11 pages.

Notice of Allowance for U.S. Appl. No. 29/502,986, mailed Nov. 4, 2015 12 pages.

Notice of Allowance for U.S. Appl. No. 29/502,990, mailed Nov. 2, 2015 11 pages.

* cited by examiner

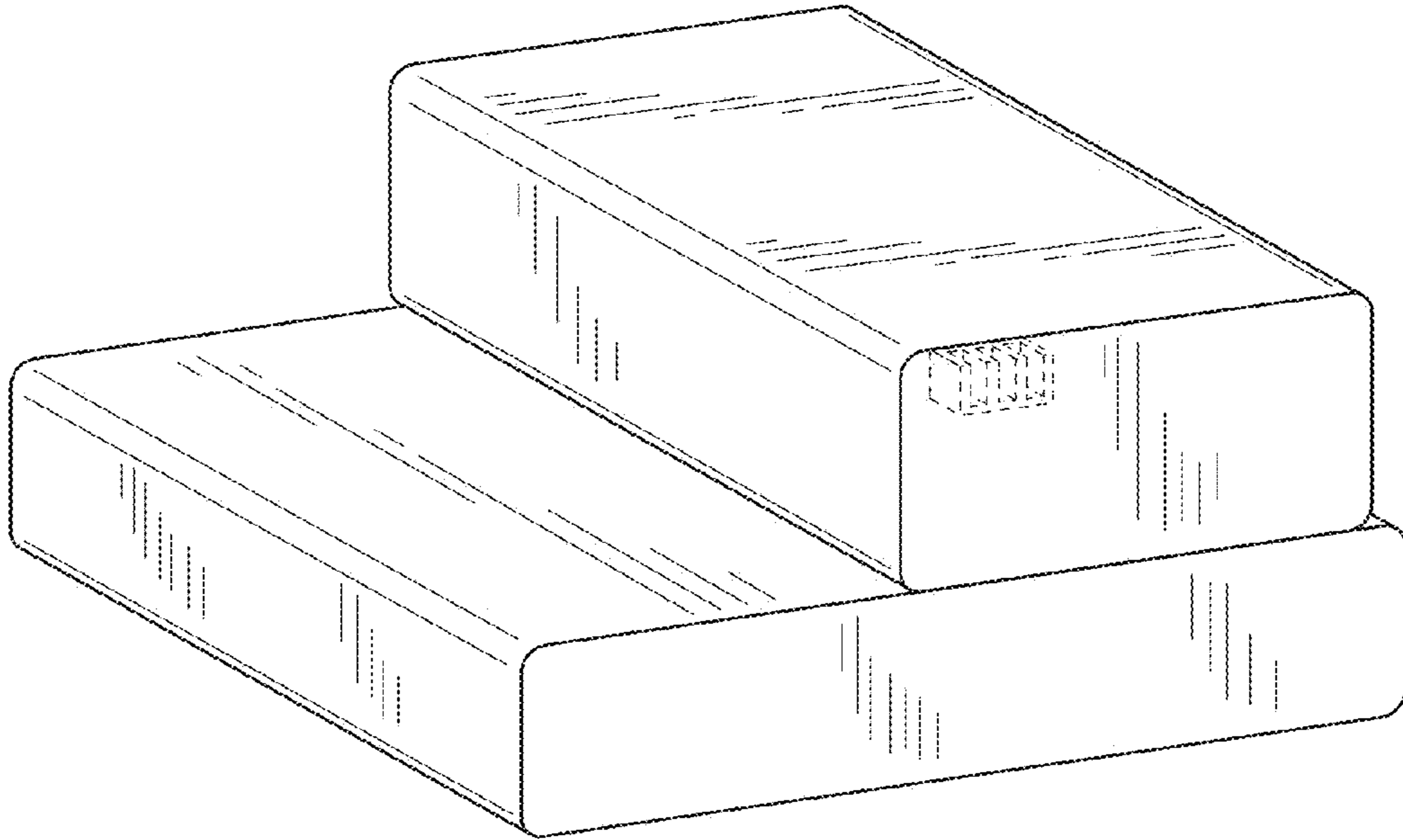


FIG. 1

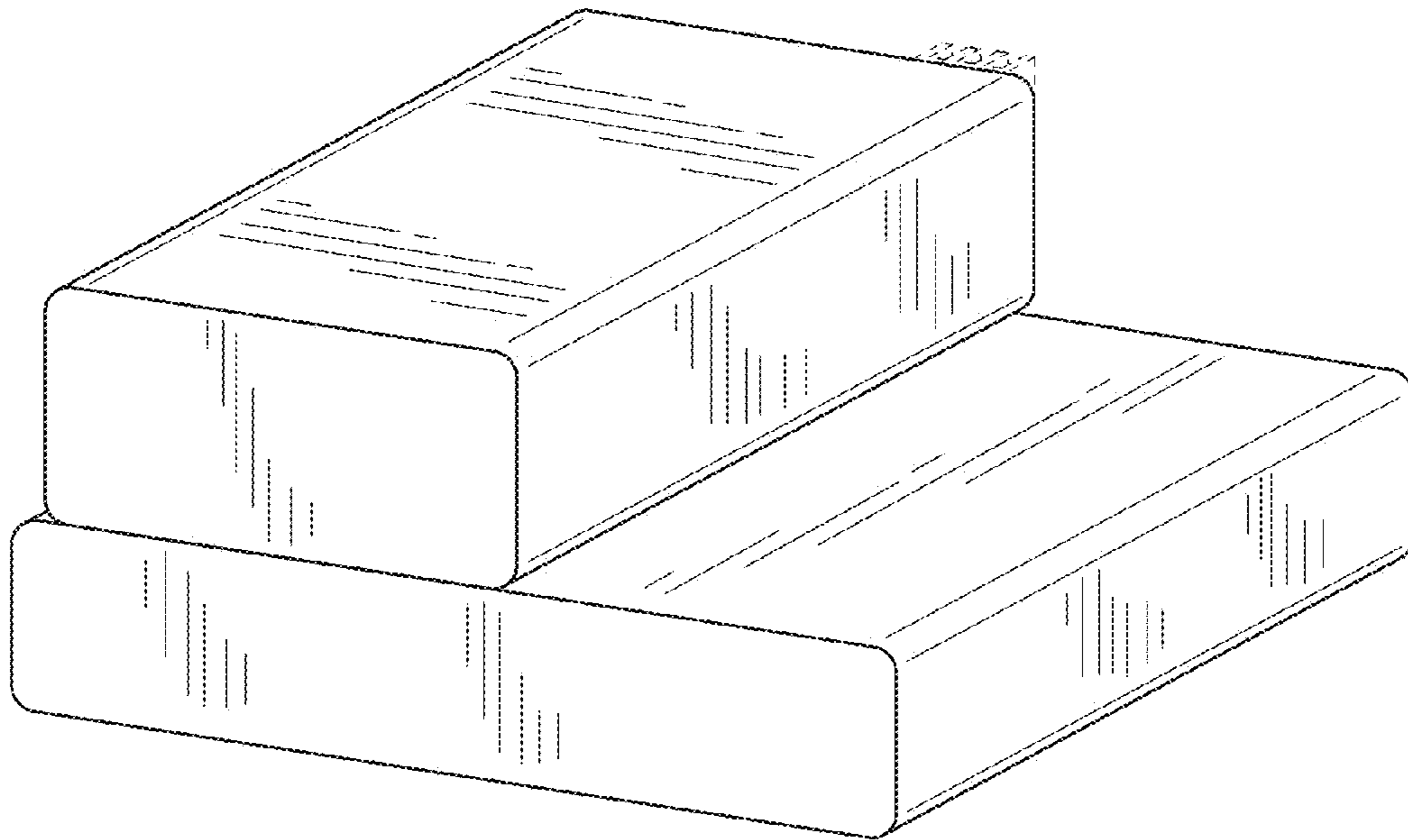


FIG. 2

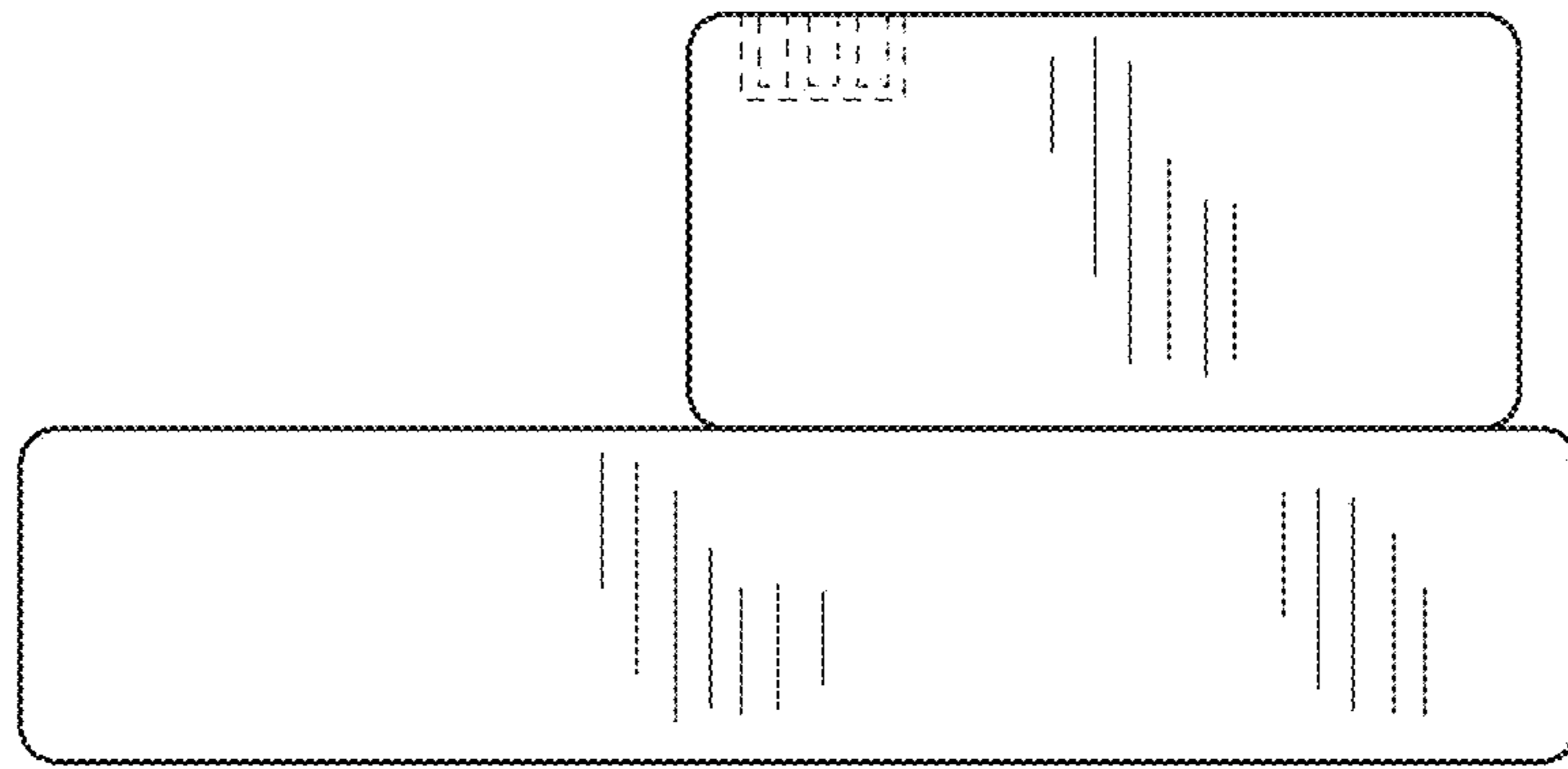


FIG.3

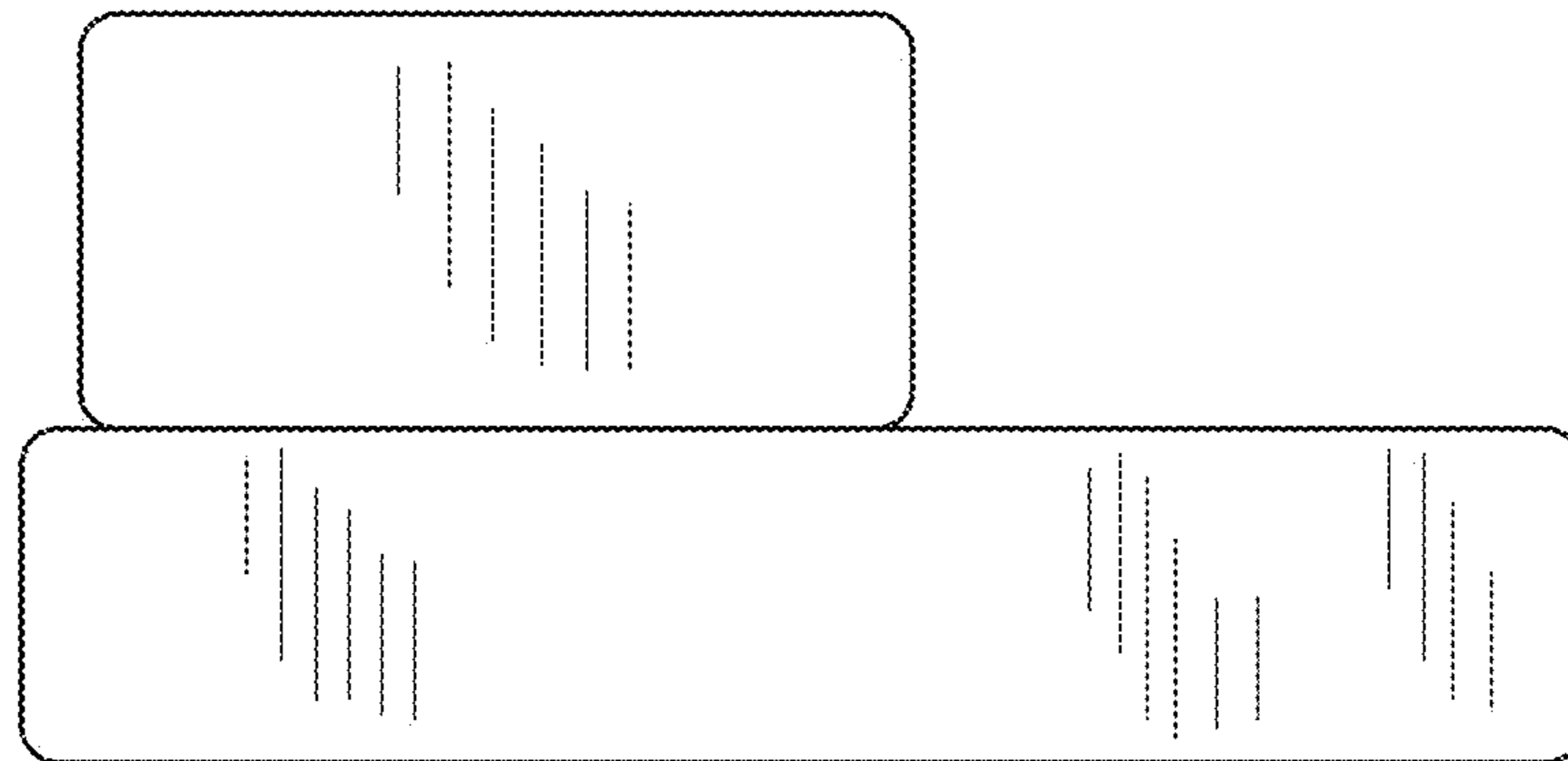


FIG.4

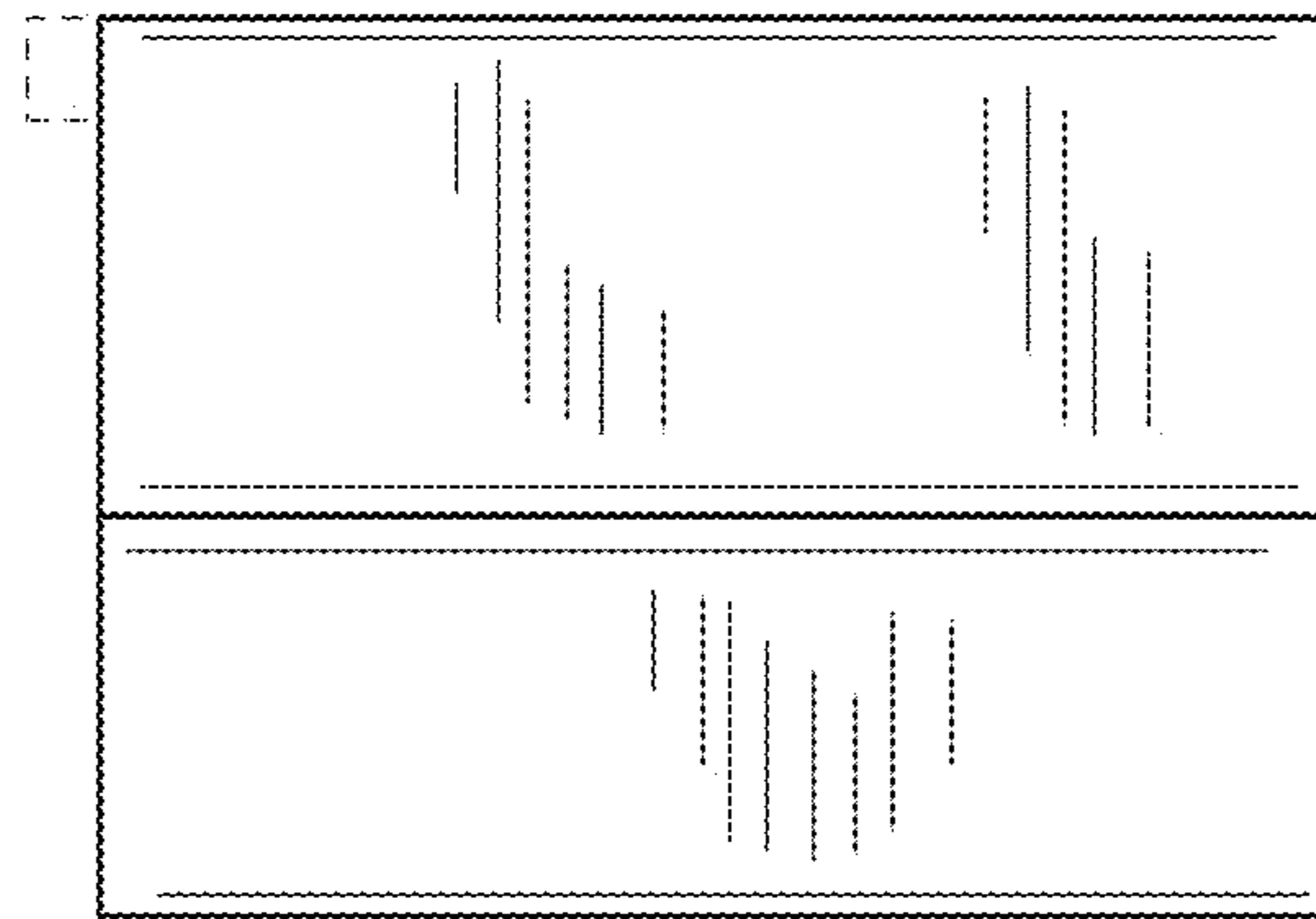


FIG. 5

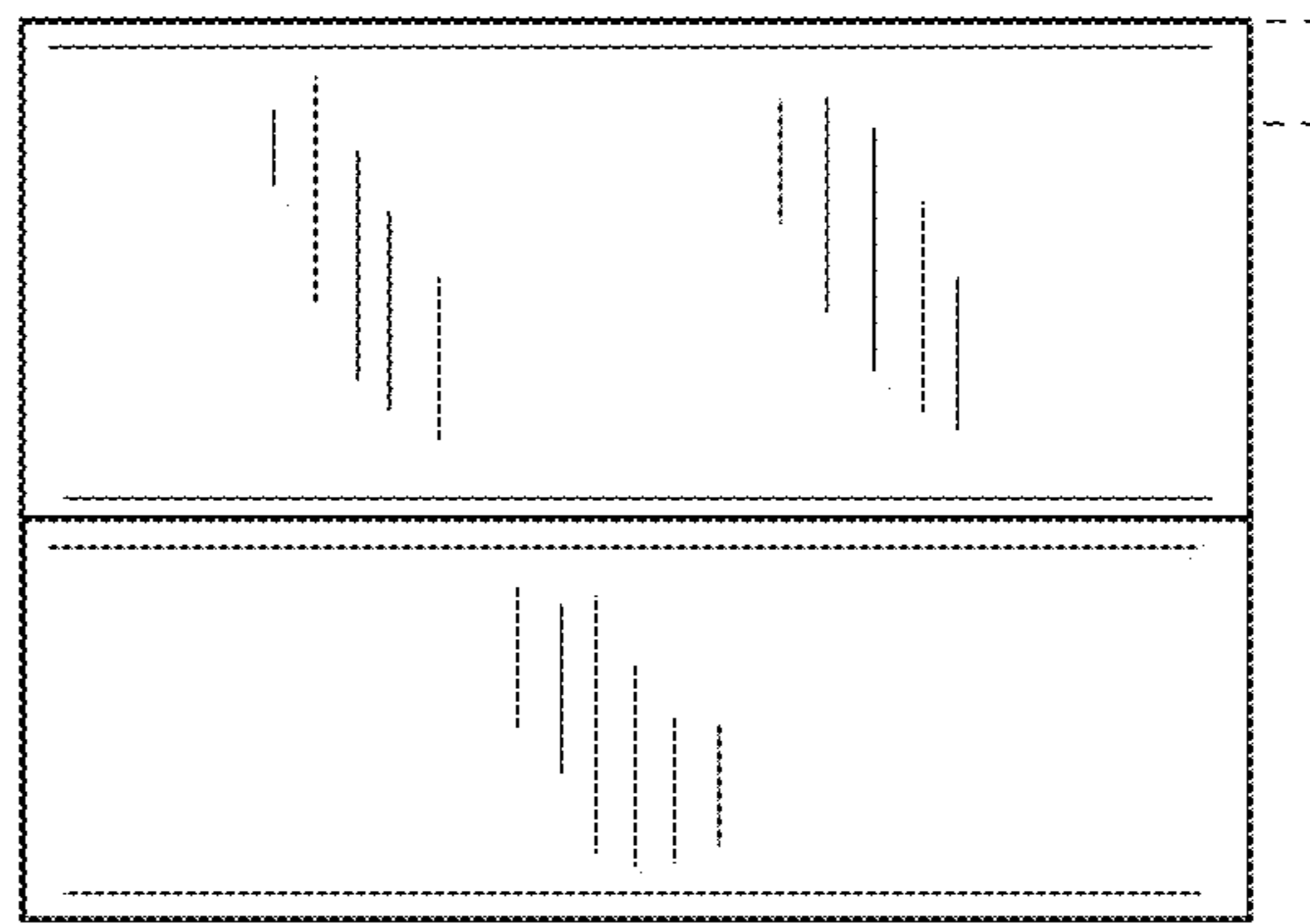


FIG. 6

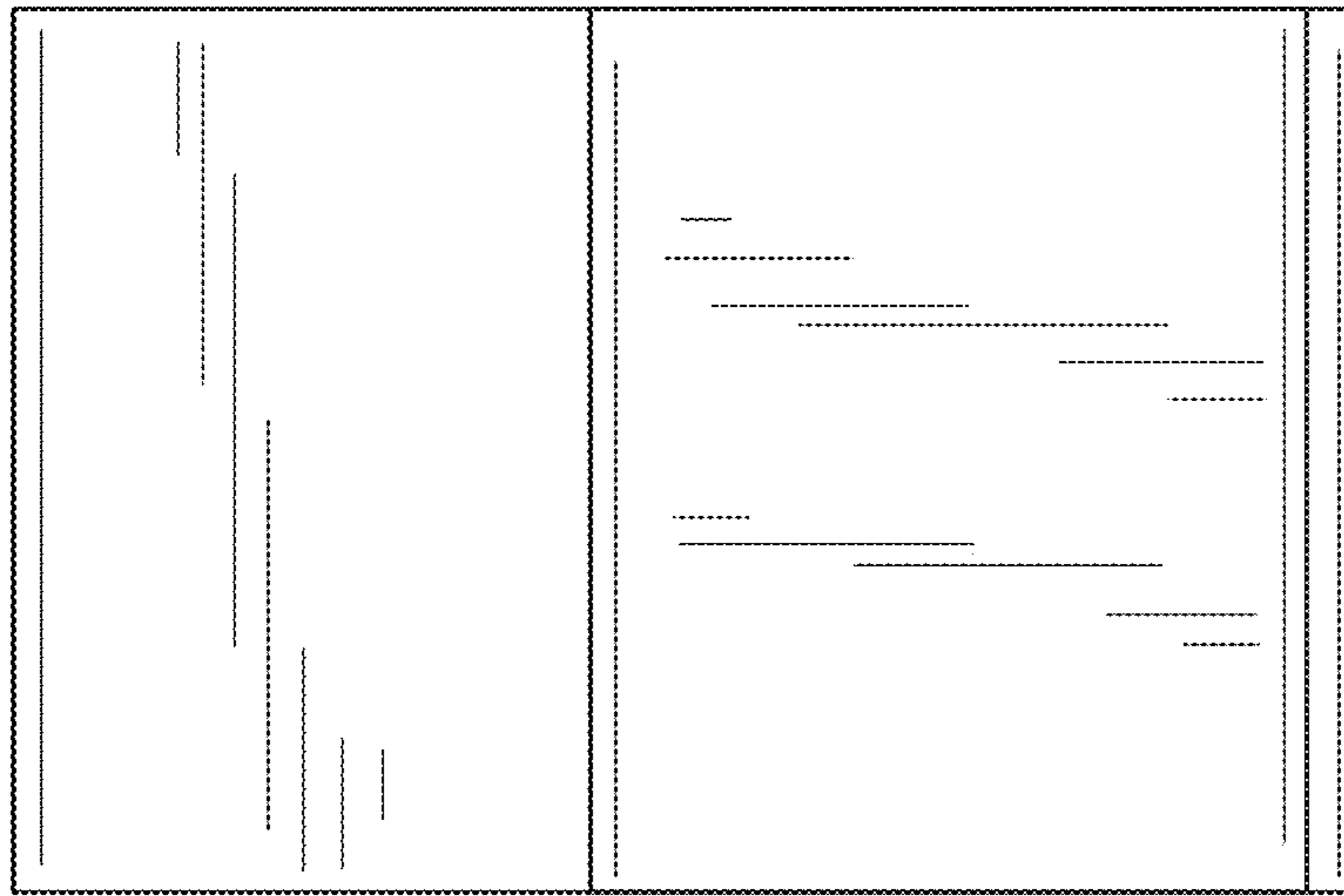


FIG. 7

FIG.7

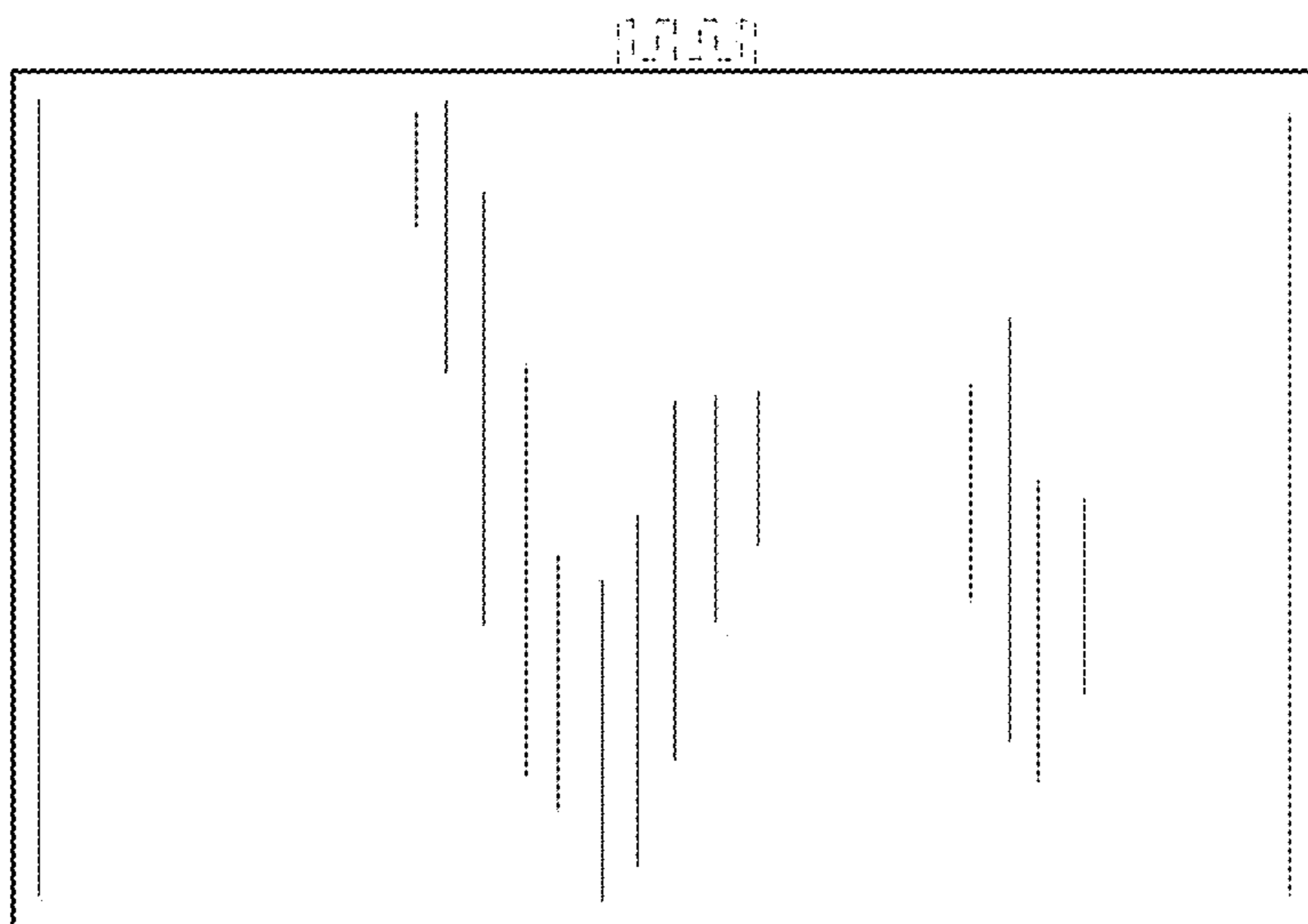


FIG. 8

FIG.8