



US00D752507S

(12) **United States Design Patent**
Takahashi et al.

(10) **Patent No.:** **US D752,507 S**
(45) **Date of Patent:** **** Mar. 29, 2016**

- (54) **ENERGY EXCHANGE CHAMBER**
- (71) Applicant: **EBARA CORPORATION**, Tokyo (JP)
- (72) Inventors: **Tamami Takahashi**, Tokyo (JP); **Akira Goto**, Tokyo (JP)
- (73) Assignee: **EBARA CORPORATION**, Tokyo (JP)
- (**) Term: **14 Years**
- (21) Appl. No.: **29/522,797**
- (22) Filed: **Apr. 2, 2015**

Related U.S. Application Data

- (62) Division of application No. 29/449,455, filed on Mar. 15, 2013.

Foreign Application Priority Data

- Dec. 21, 2012 (JP) 2012-31215
- Dec. 21, 2012 (JP) 2012-31216
- Dec. 21, 2012 (JP) 2012-31217

- (51) **LOC (10) Cl.** **13-02**
- (52) **U.S. Cl.**
USPC **D13/101**

- (58) **Field of Classification Search**
USPC D13/101, 110, 118, 178, 184, 199;
D15/199; D23/200, 207, 209;
210/170.11, 321.66, 652, 321.85, 251,
210/137; 203/10; 137/625.11-625.69
CPC B01D 61/025; B01D 61/06; B01D 61/10;
C02F 2103/08
See application file for complete search history.

(56) **References Cited**

U.S. PATENT DOCUMENTS

- 221,446 A * 11/1879 Cook 210/449
- 3,969,812 A * 7/1976 Beck 29/421.1

- D249,542 S * 9/1978 Aldridge et al. D23/209
- D255,896 S * 7/1980 Barth D13/101
- 4,219,426 A * 8/1980 Spekle et al. 210/232
- 4,746,430 A * 5/1988 Cooley 210/321.85
- D316,740 S 5/1991 Kopf
- D356,625 S * 3/1995 Petrucci et al. D23/209
- 5,720,411 A 2/1998 Darby et al.
- D433,094 S * 10/2000 Magnusson et al. D23/209
- D472,604 S 4/2003 Fritze

(Continued)

Primary Examiner — Derrick Holland

Assistant Examiner — Jennifer O King

(74) *Attorney, Agent, or Firm* — Pearne & Gordon LLP

(57) **CLAIM**

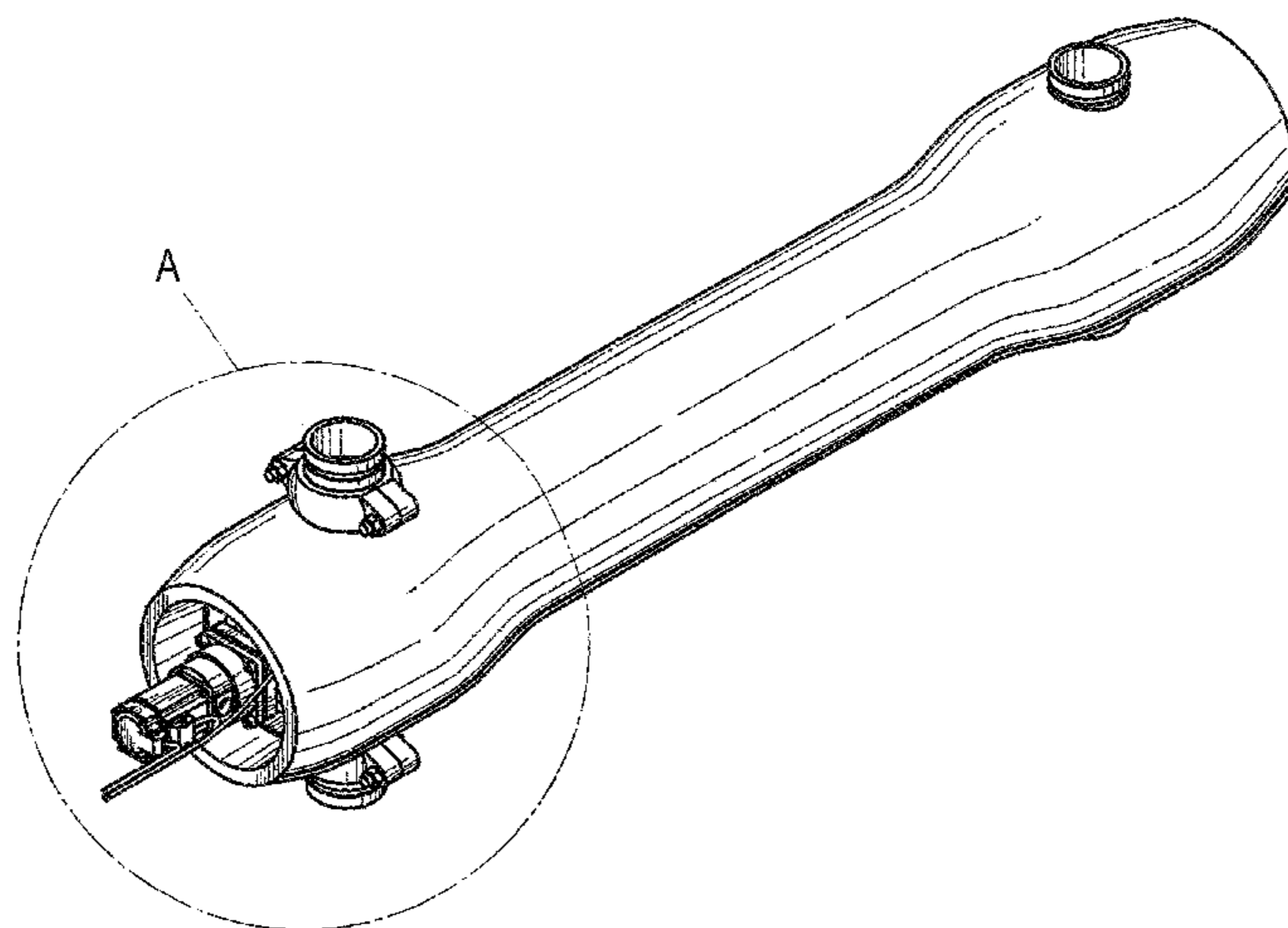
The ornamental design for an energy exchange chamber, as shown and described.

DESCRIPTION

FIG. 1 is a first perspective view of an energy exchange chamber showing our new design;
 FIG. 2 is a second perspective view thereof;
 FIG. 3 is a front elevation view thereof;
 FIG. 4 is a rear elevation view thereof;
 FIG. 5 is a bottom view thereof;
 FIG. 6 is a top view thereof;
 FIG. 7 is a right side view thereof;
 FIG. 8 is a left side view thereof;
 FIG. 9 is a first enlarged partial perspective view thereof taken at area A in FIG. 1;
 FIG. 10 is a second enlarged partial perspective view thereof taken at area A in FIG. 1 and shown rotated 270°;
 FIG. 11 is a third enlarged partial perspective view thereof taken at area A in FIG. 1 and shown rotated 180°;
 FIG. 12 is a fourth enlarged partial perspective view thereof taken at area A in FIG. 1 and shown rotated 90°; and,
 FIG. 13 is an enlarged left side view thereof, shown rotated 180°.

The broken lines shown represent unclaimed subject matter and form no part of the claimed design.

1 Claim, 10 Drawing Sheets



(56)

References Cited

U.S. PATENT DOCUMENTS

6,558,544 B1 5/2003 Eisberg et al.
6,733,675 B2 5/2004 Ando et al.
D546,412 S 7/2007 Kennedy et al.
7,306,437 B2 12/2007 Hauge
7,407,148 B2 8/2008 Bassett et al.
7,600,535 B2 10/2009 Baumgarten et al.
7,757,883 B2 7/2010 Gilbertson et al.
7,763,170 B2 7/2010 Bassett et al.

8,110,016 B2 * 2/2012 McCollam 55/502
8,262,825 B2 * 9/2012 Fahey et al. 156/172
D705,180 S * 5/2014 Arioka et al. D13/178
D713,331 S * 9/2014 Inman et al. D13/101
8,857,469 B2 * 10/2014 Wang 137/625.15
D726,105 S * 4/2015 Williams D13/101
9,038,651 B2 * 5/2015 Chang et al. 137/119.04
2005/0173319 A1 8/2005 Fritze et al.
2009/0194478 A1 * 8/2009 Saveliev et al. 210/636
2011/0006005 A1 * 1/2011 Thomson et al. 210/652

* cited by examiner

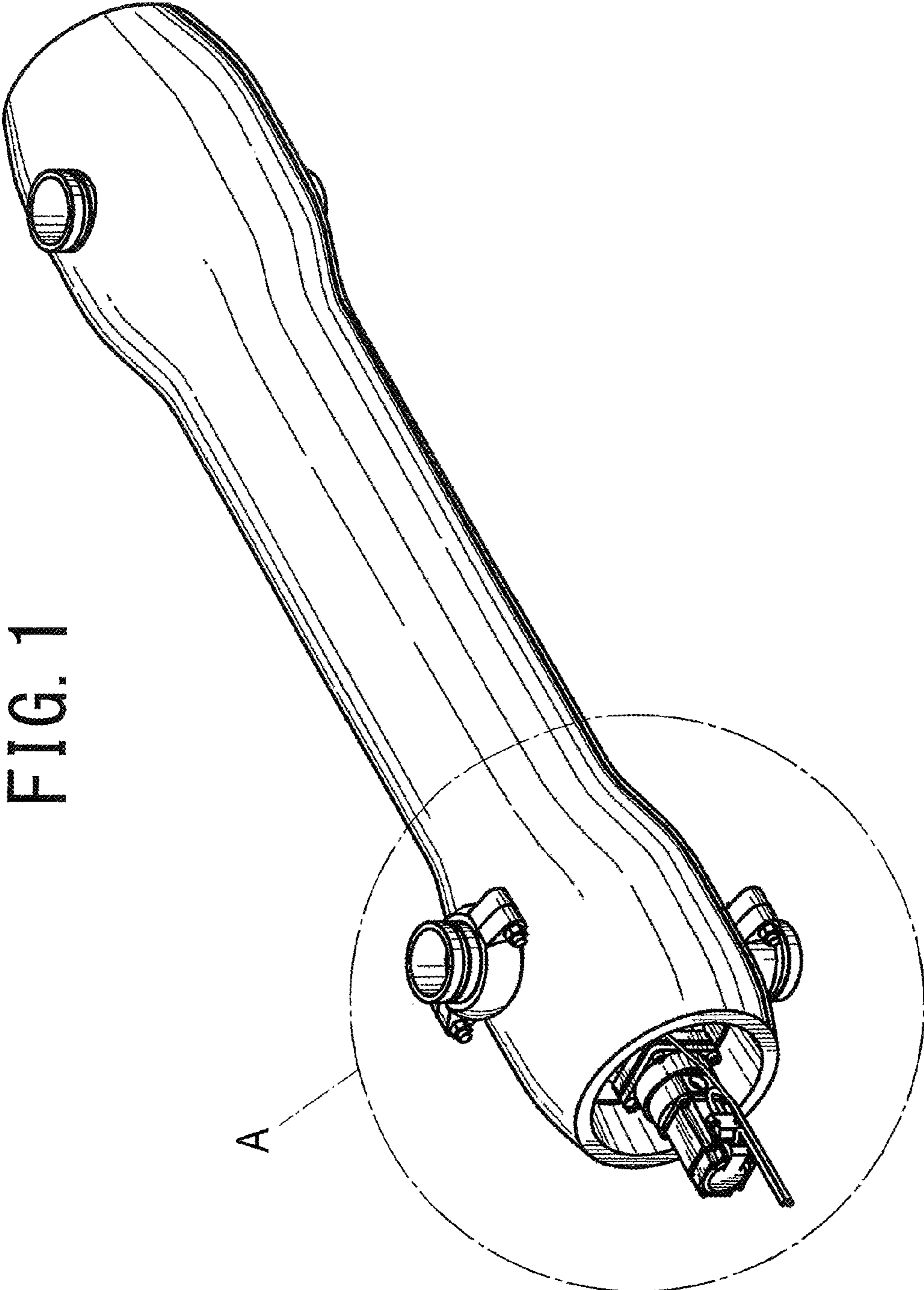


FIG. 1

FIG. 2

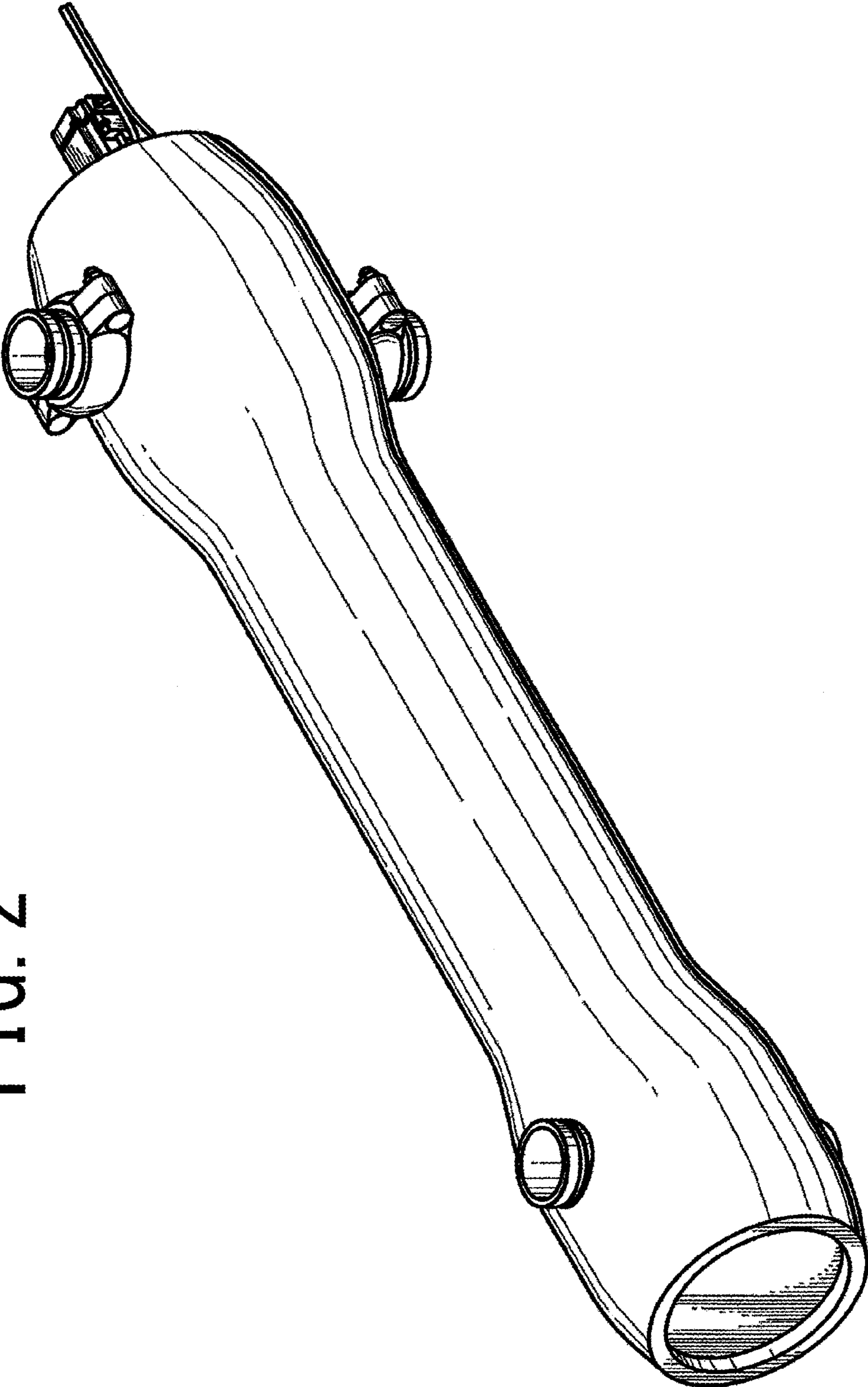


FIG. 3

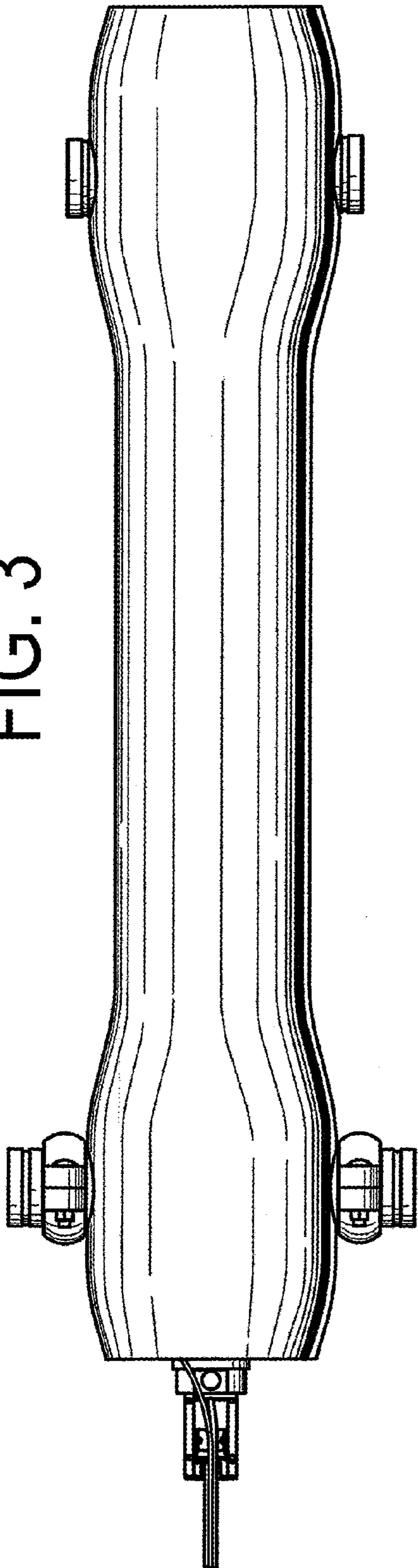


FIG. 4

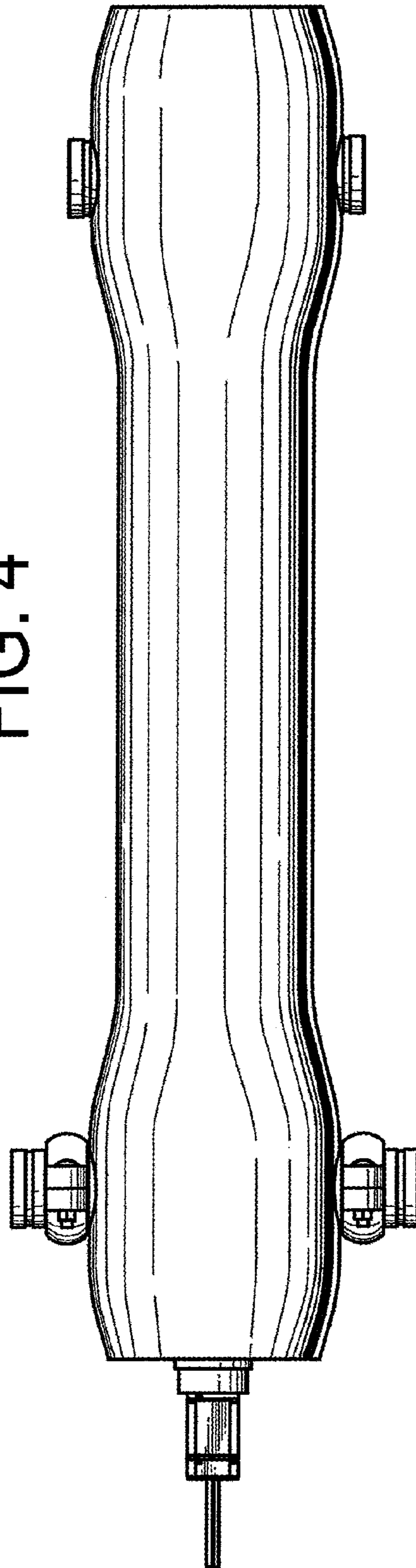


FIG. 5

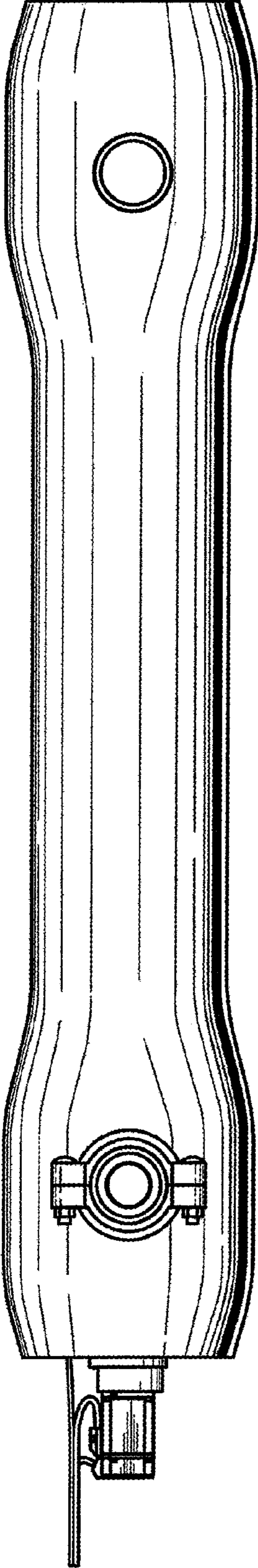


FIG. 6

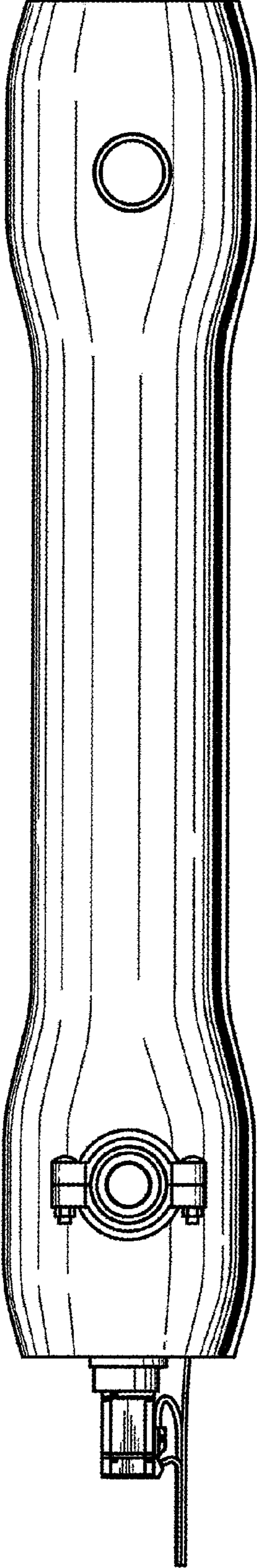


FIG. 7

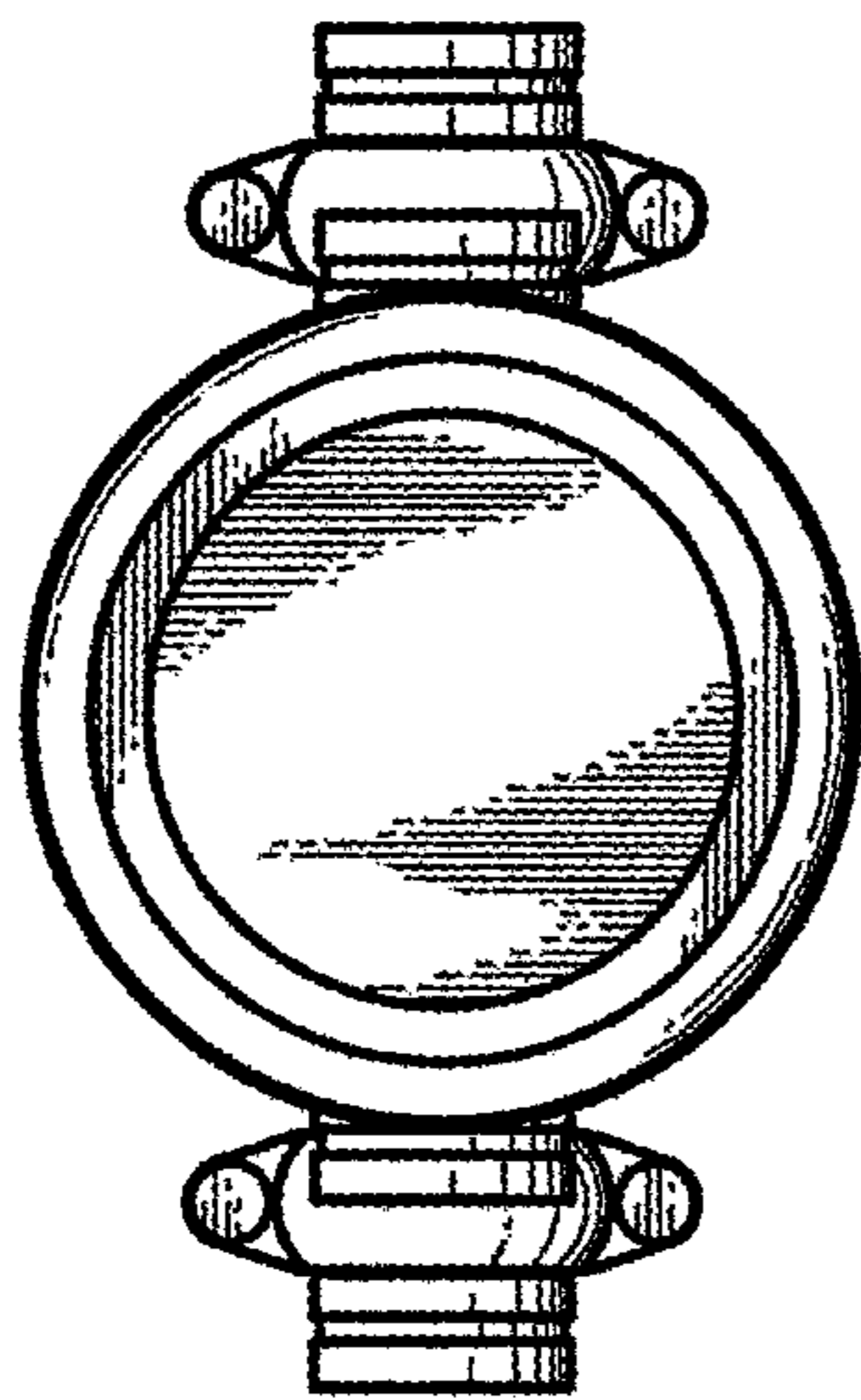
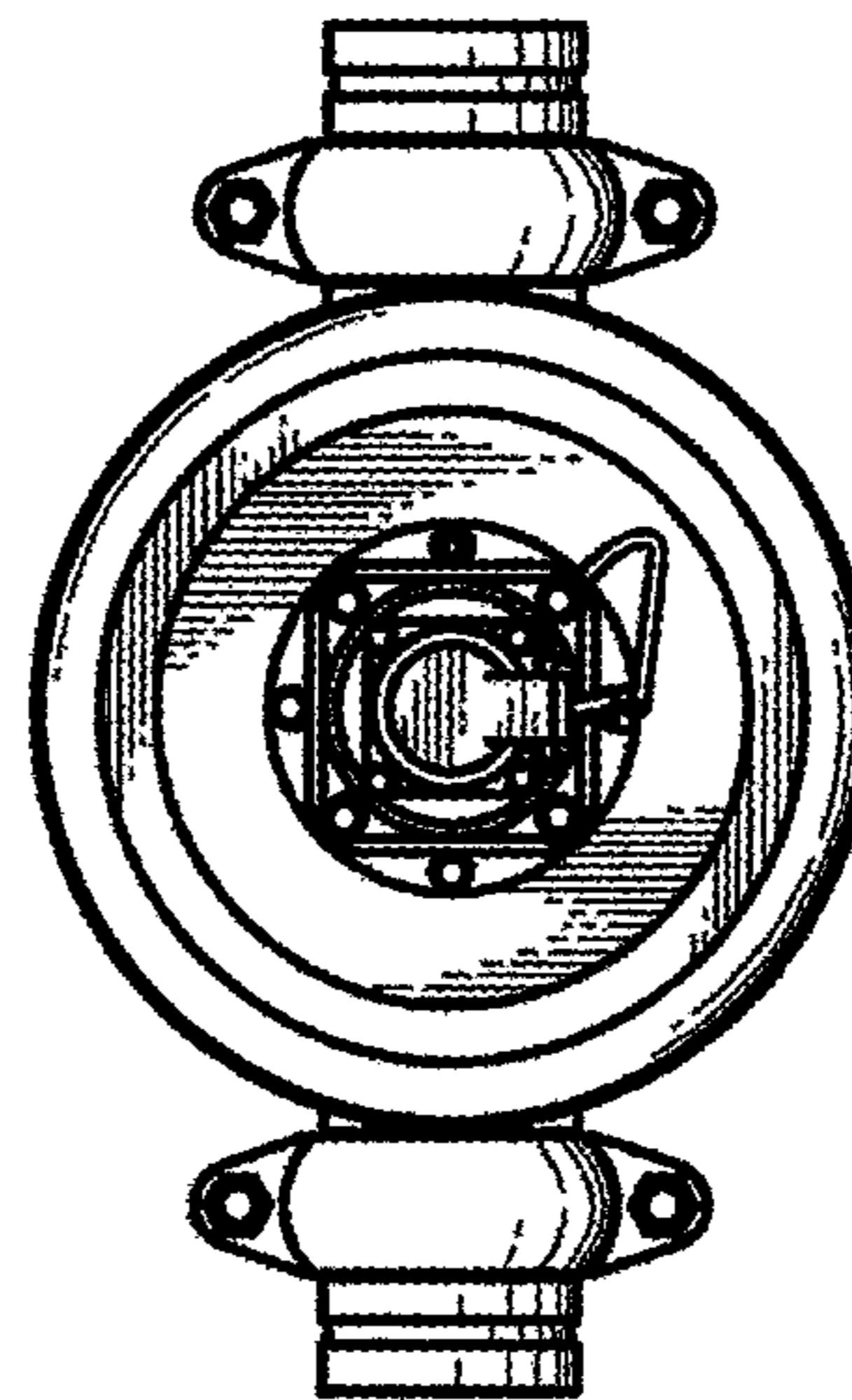


FIG. 8



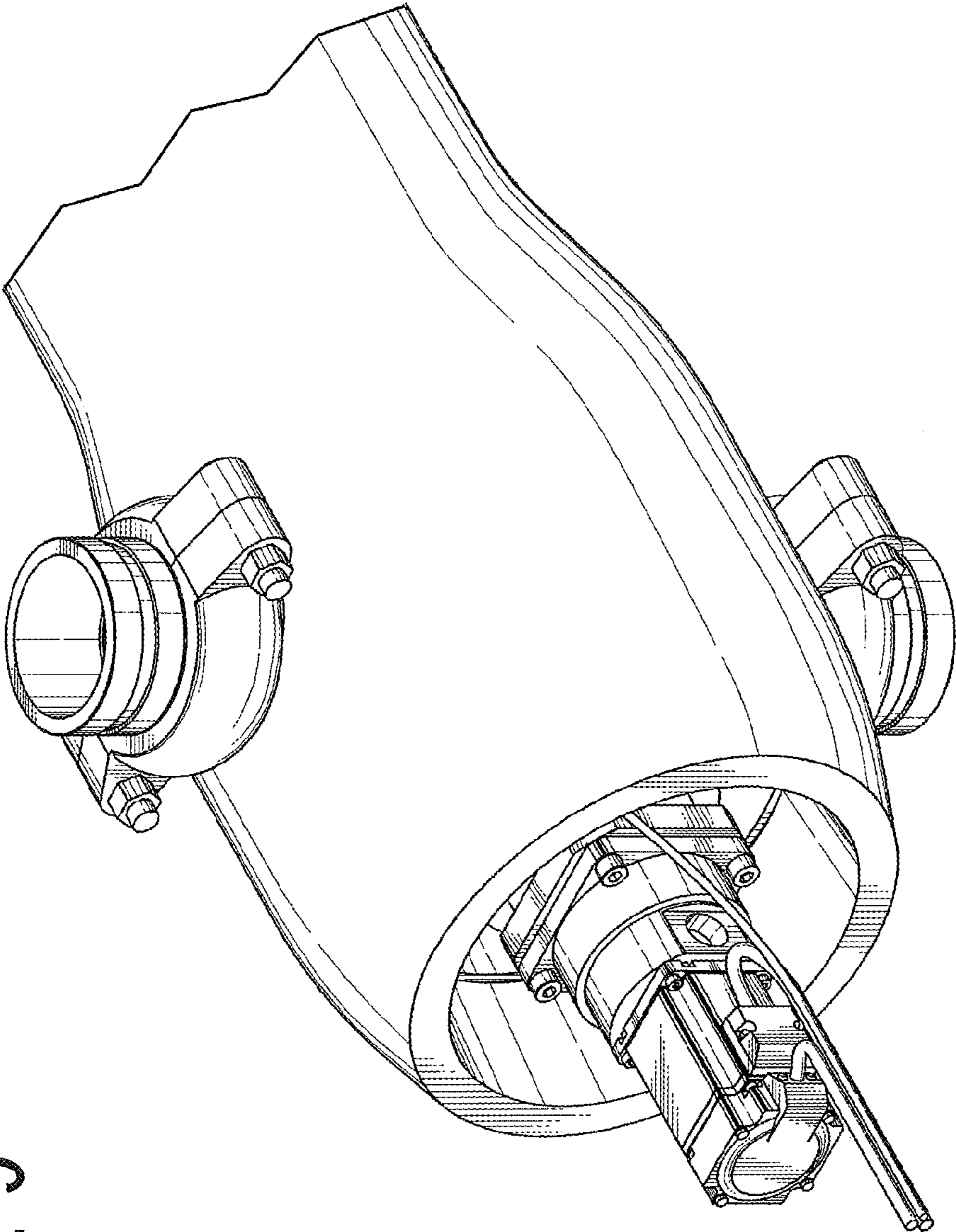


FIG. 9

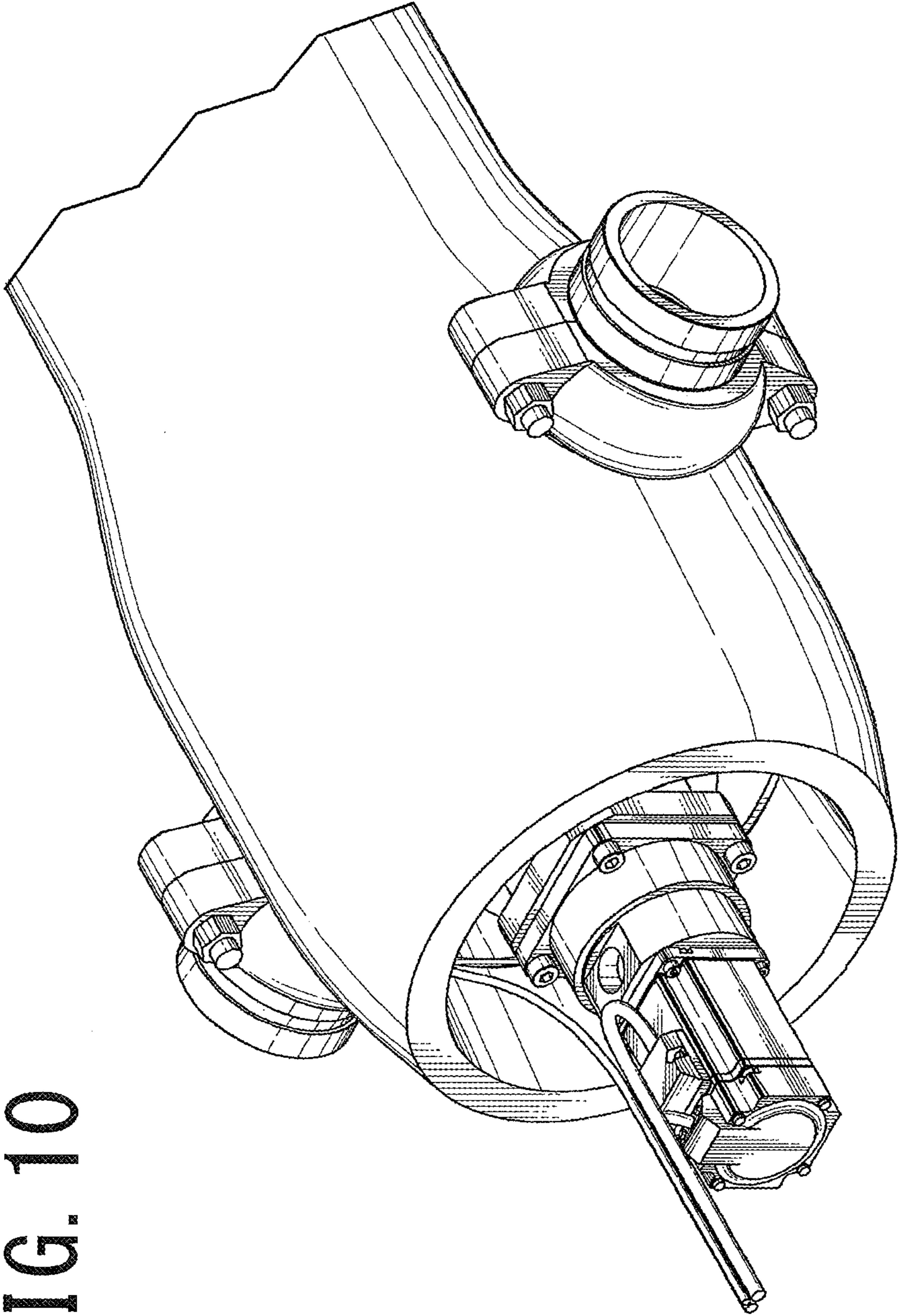


FIG. 10

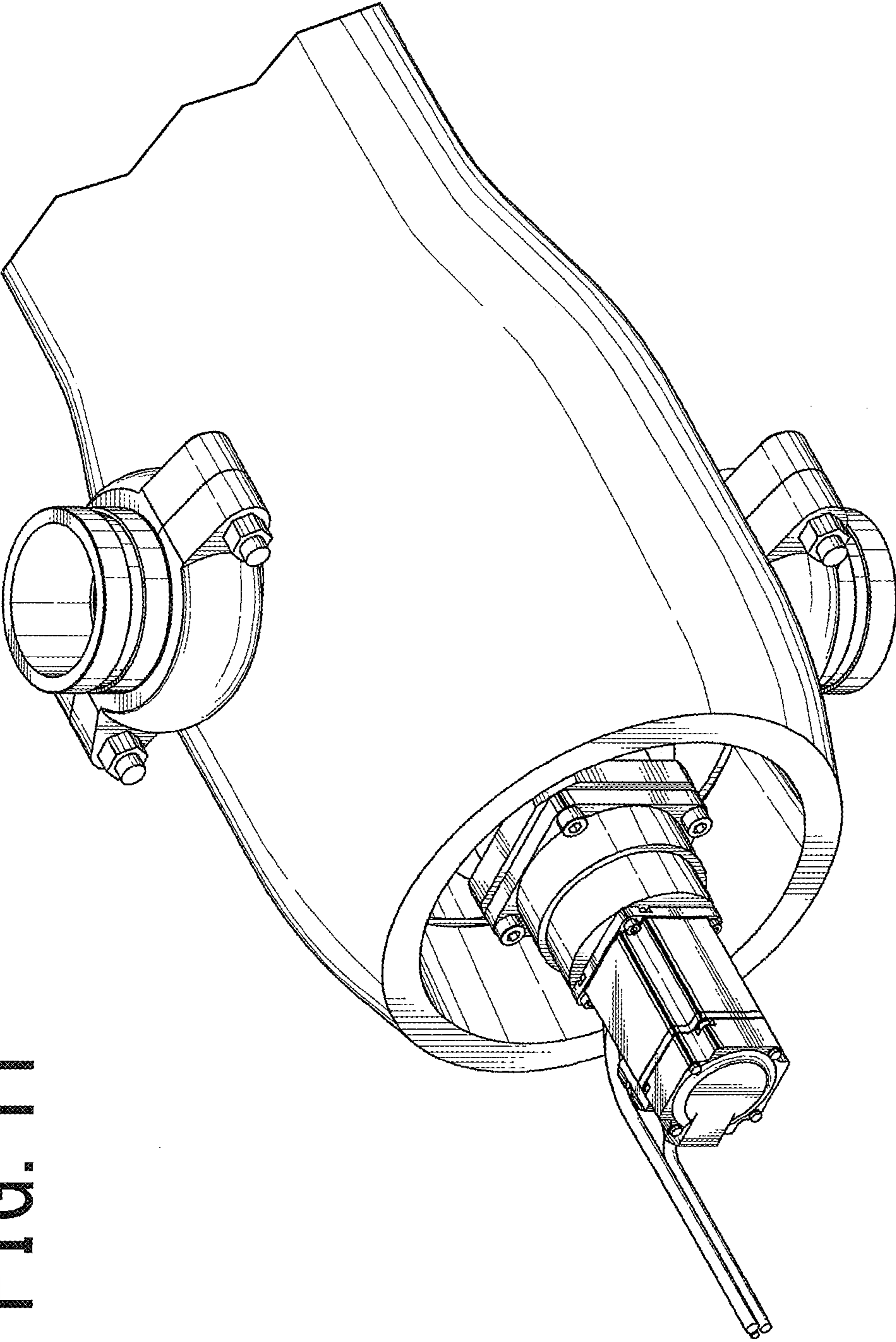


FIG. 11

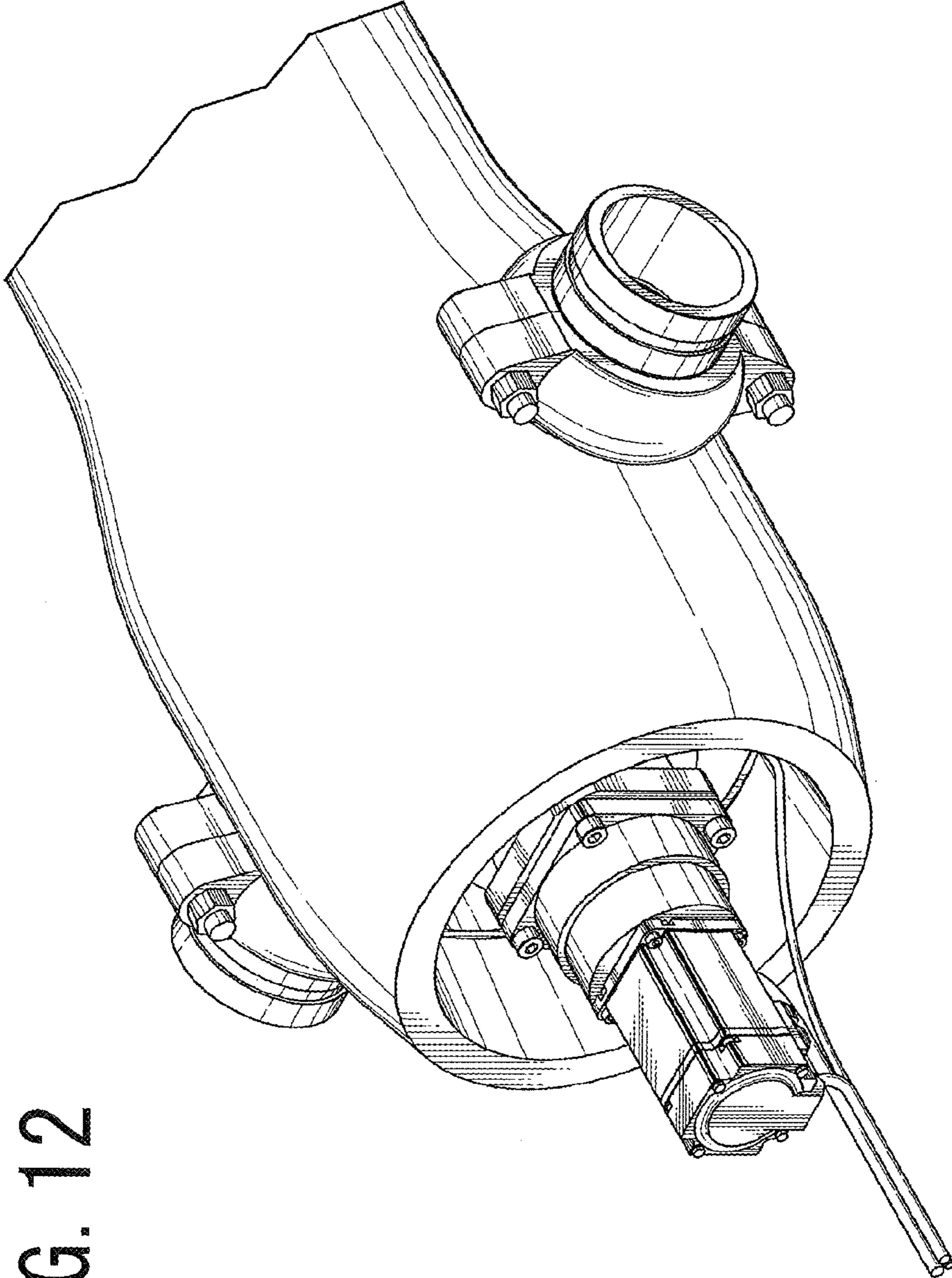


FIG. 12

FIG. 13

